



US00D958986S

(12) **United States Design Patent**
Troxell et al.

(10) **Patent No.:** **US D958,986 S**

(45) **Date of Patent:** **** *Jul. 26, 2022**

(54) **MARKER ARRAY FOR AN INSTRUMENT
FOR USE WITH A SURGICAL ROBOTIC
SYSTEM**

(71) Applicant: **GLOBUS MEDICAL, INC.**, Audubon,
PA (US)

(72) Inventors: **Paden Troxell**, Philadelphia, PA (US);
Andrew Berkowitz, Philadelphia, PA
(US); **Hayden Cameron**, Philadelphia,
PA (US)

(73) Assignee: **Globus Medical Inc.**, Audubon, PA
(US)

(*) Notice: This patent is subject to a terminal dis-
claimer.

(**) Term: **15 Years**

(21) Appl. No.: **29/758,126**

(22) Filed: **Nov. 12, 2020**

(51) **LOC (13) Cl.** **24-02**

(52) **U.S. Cl.**
USPC **D24/140**

(58) **Field of Classification Search**

USPC D24/140, 135, 133
CPC A61B 34/30; A61B 17/02; A61B 17/3423;
A61B 46/10; A61B 90/50; A61B
17/1671; A61B 2034/2055; A61F 2/4611;
A61F 2/4455; A61M 29/00
See application file for complete search history.

(56) **References Cited**

U.S. PATENT DOCUMENTS

D420,132 S * 2/2000 Bucholz D24/140
D422,706 S * 4/2000 Bucholz D24/140
D761,428 S * 7/2016 Birkenbach D24/140
D778,441 S * 2/2017 Corrao, Jr. D24/140

D788,915 S * 6/2017 Kheradpir D24/140
D806,247 S * 12/2017 Kheradpir D24/147
D816,838 S * 5/2018 Kheradpir D24/140
D820,984 S * 6/2018 Kheradpir D24/140
D823,470 S * 7/2018 Neubauer D24/158
D828,561 S * 9/2018 Kheradpir D24/147
D838,848 S * 1/2019 Neubauer D24/158
D838,849 S * 1/2019 Neubauer D24/158
D838,850 S * 1/2019 Neubauer D24/158
D857,892 S * 8/2019 Crawford D24/140
D860,446 S * 9/2019 Crawford D24/140
D860,447 S * 9/2019 Crawford D24/140
D860,448 S * 9/2019 Crawford D24/140
D864,389 S * 10/2019 Crawford D24/140
D865,172 S * 10/2019 Crawford D24/140
D938,586 S * 12/2021 Schlereth D24/133
2020/0297435 A1 * 9/2020 Cameron A61B 90/14
2021/0007811 A1 * 1/2021 Troxell A61B 34/10

* cited by examiner

Primary Examiner — Bridget L Eland

(57) **CLAIM**

The ornamental design for a marker array for an instrument for use with a surgical robotic system, as shown and described.

DESCRIPTION

FIG. 1 is a perspective view of a marker array for an instrument for use with a surgical robotic system showing our new design;

FIG. 2 is another prospective view thereof;

FIG. 3 is a top view thereof;

FIG. 4 is a bottom view thereof;

FIG. 5 is a side view thereof;

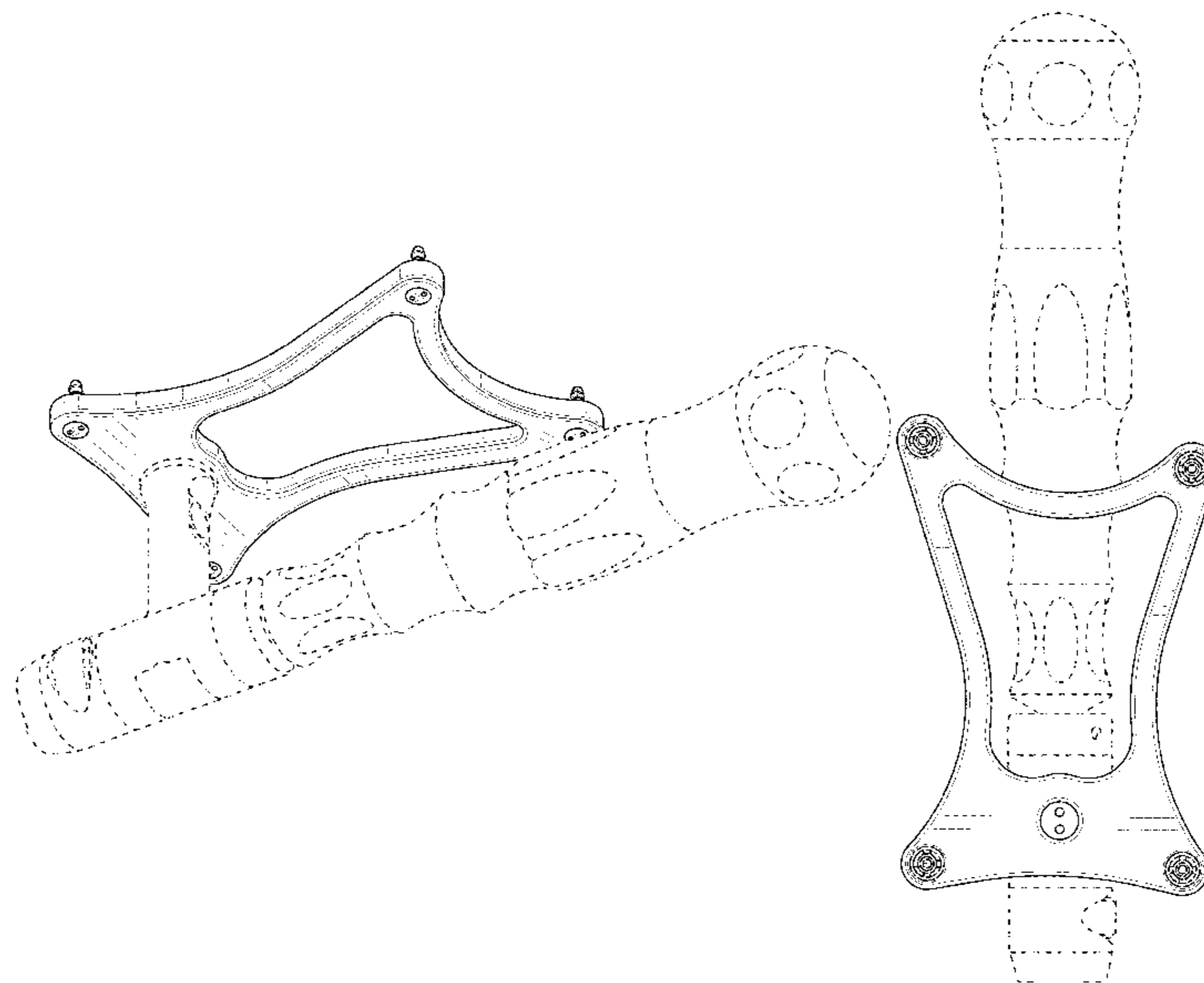
FIG. 6 is another side view thereof;

FIG. 7 is a front view thereof; and,

FIG. 8 is a back view thereof.

In the above drawings the broken lines and the areas within the broken lines form no part of the claimed design.

1 Claim, 8 Drawing Sheets



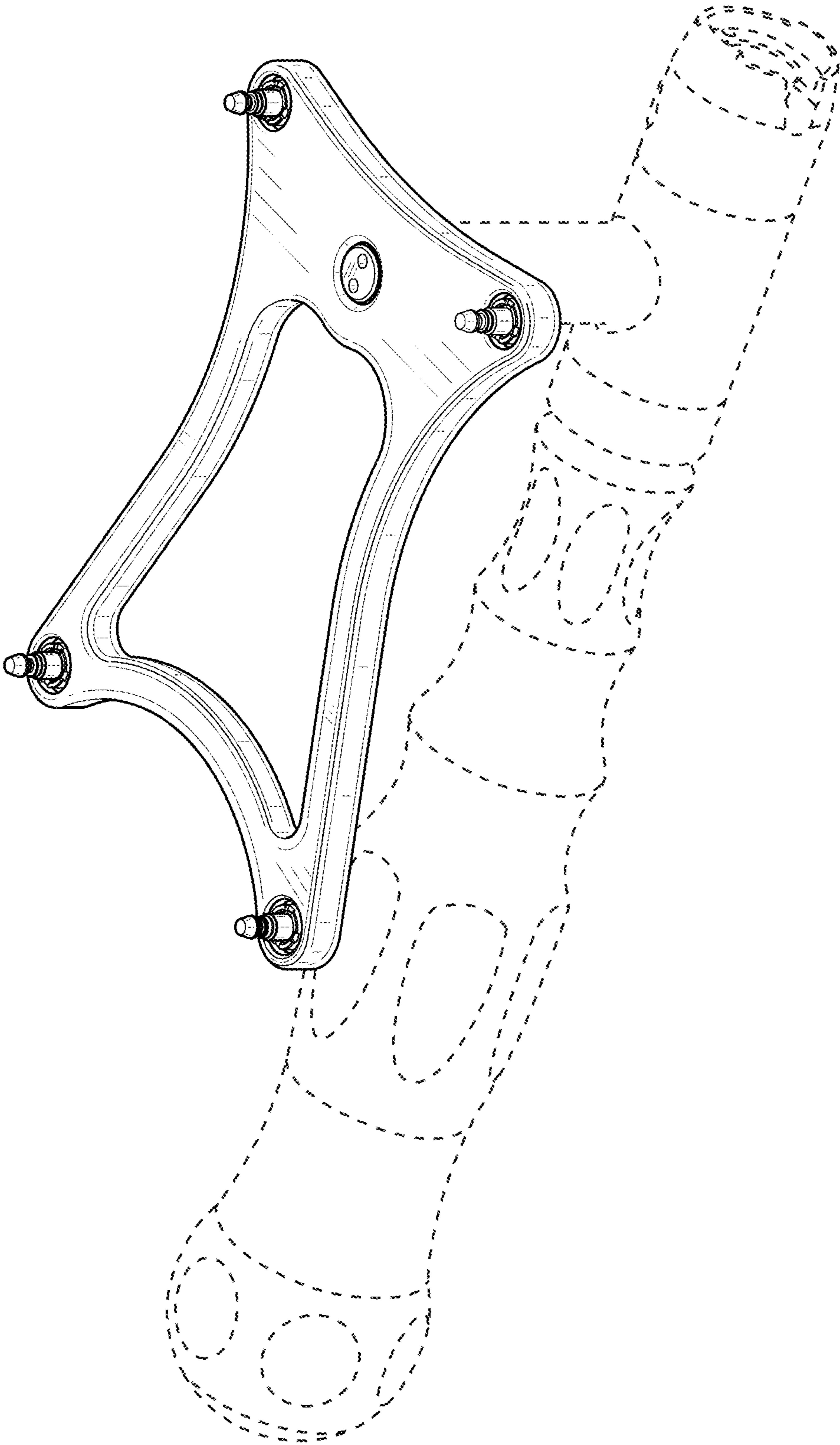


FIG. 1

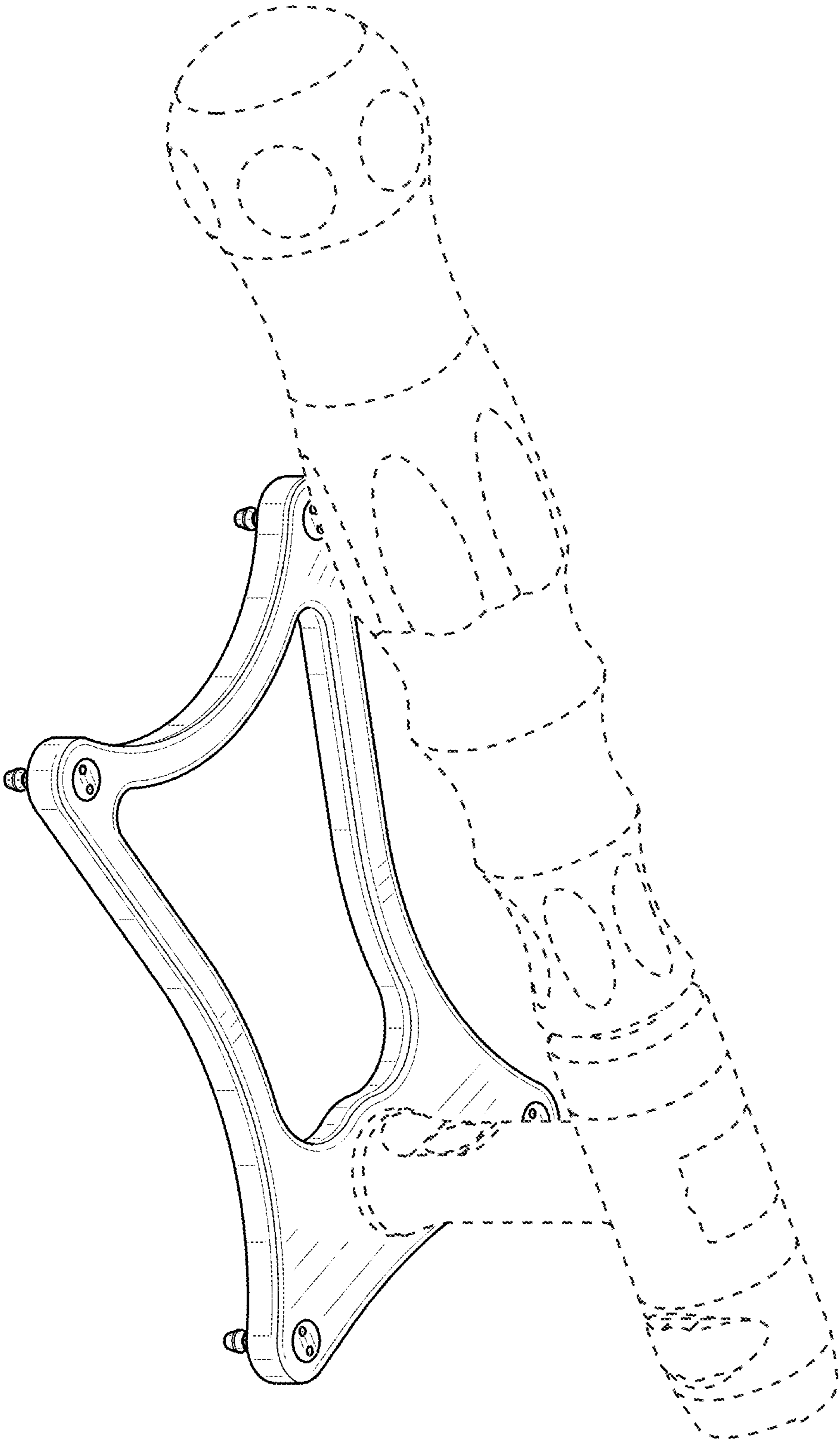


FIG. 2

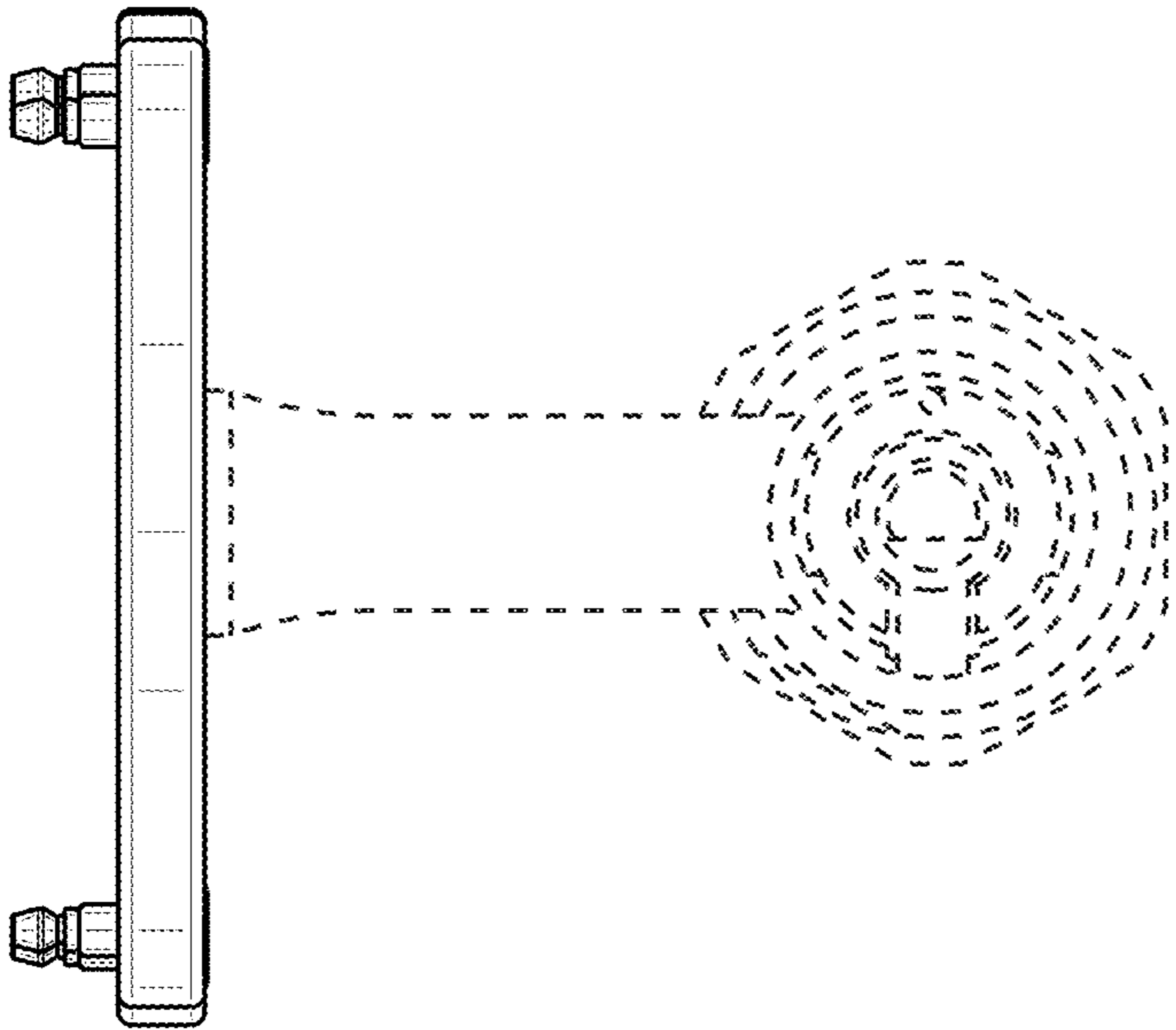


FIG. 3

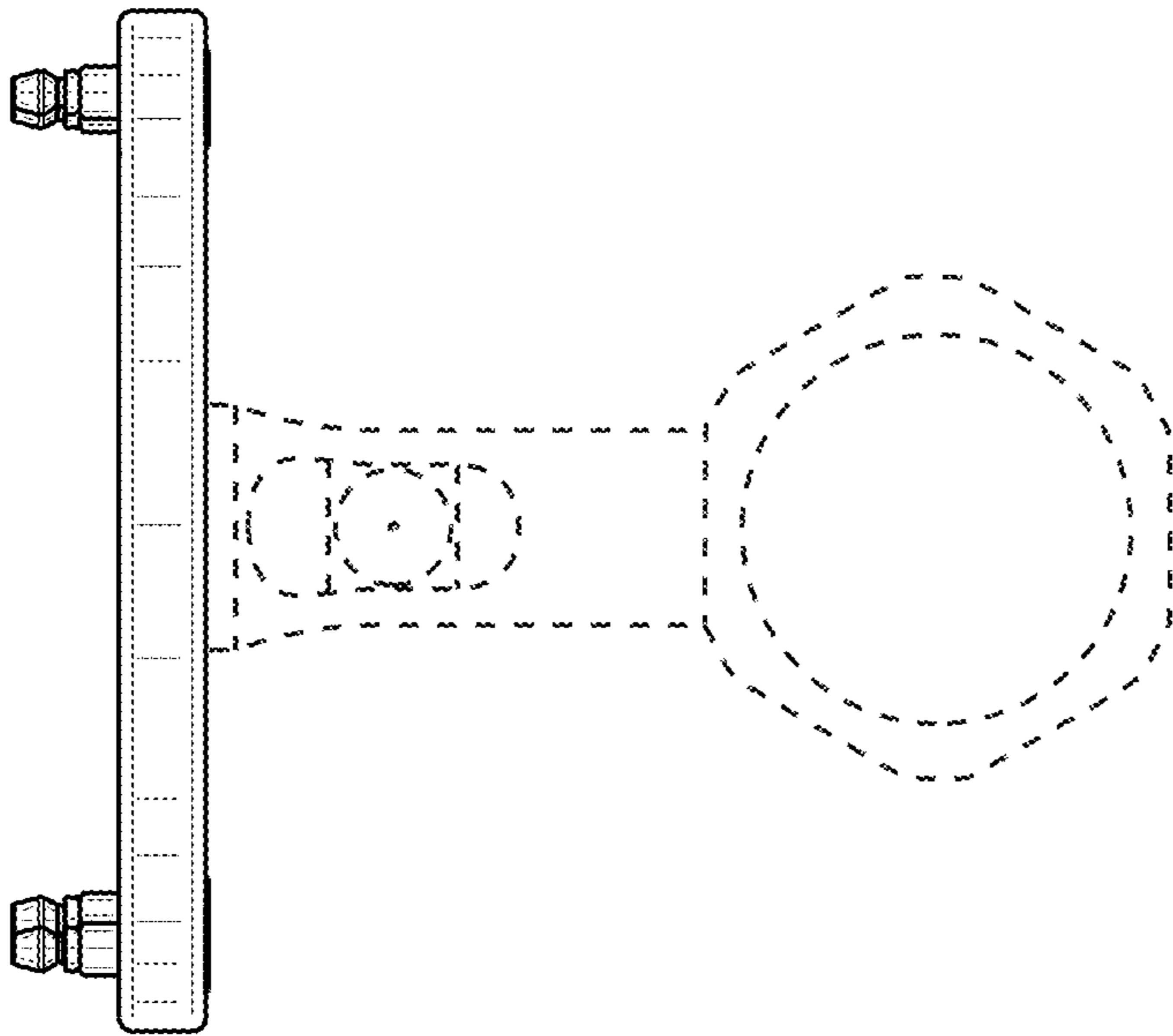


FIG. 4

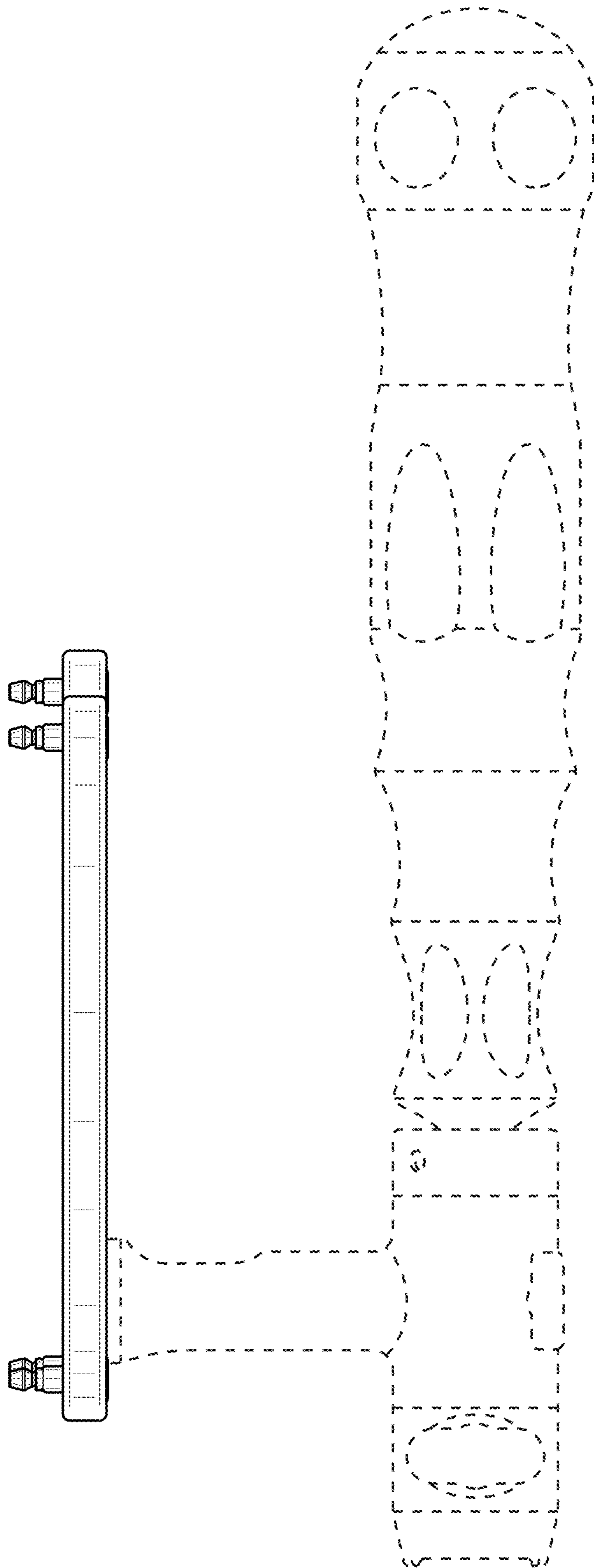


FIG. 5

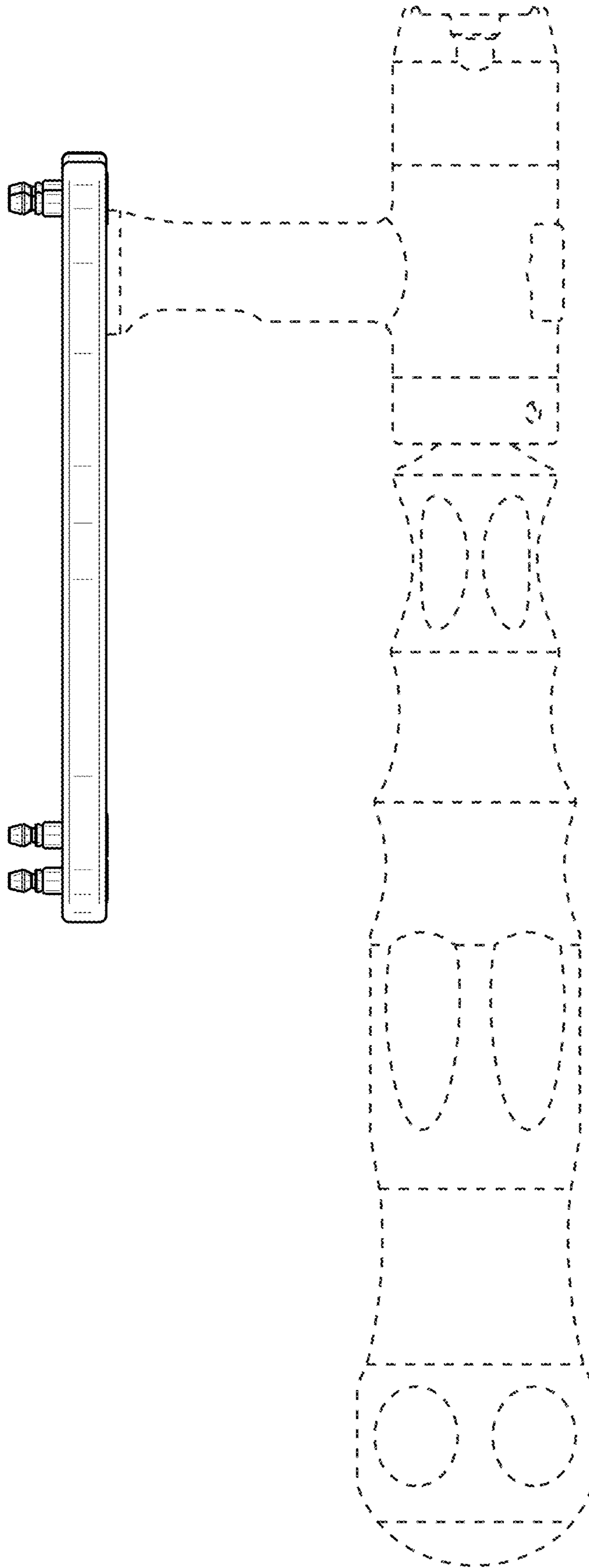


FIG. 6

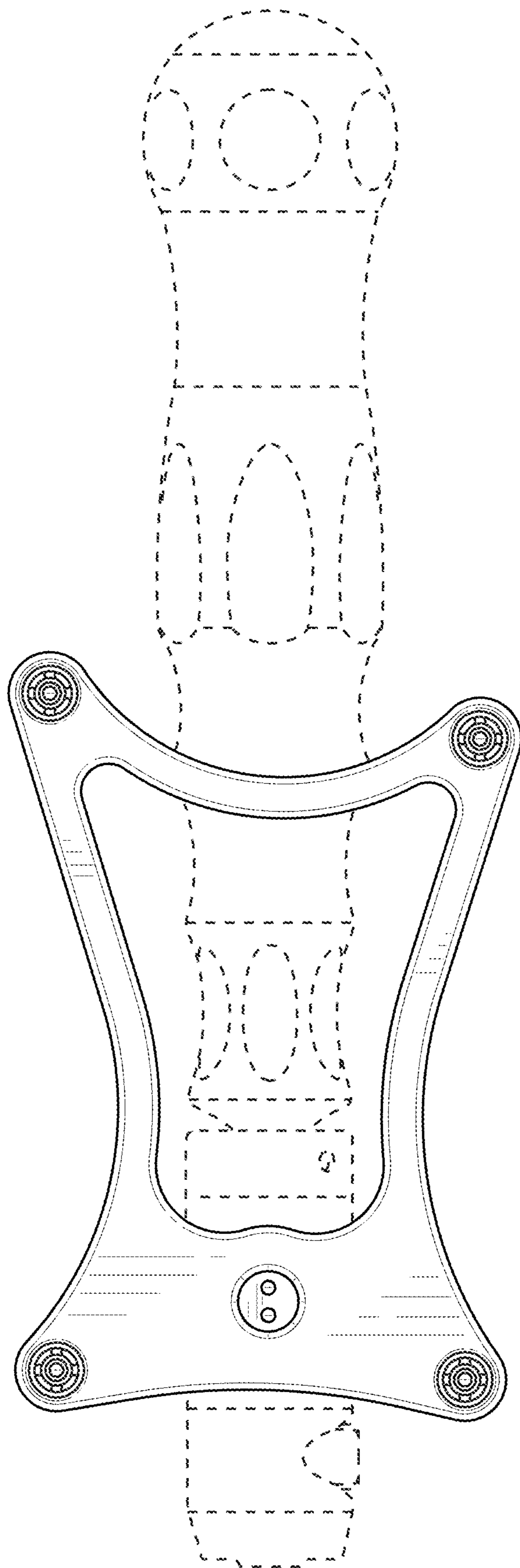


FIG. 7

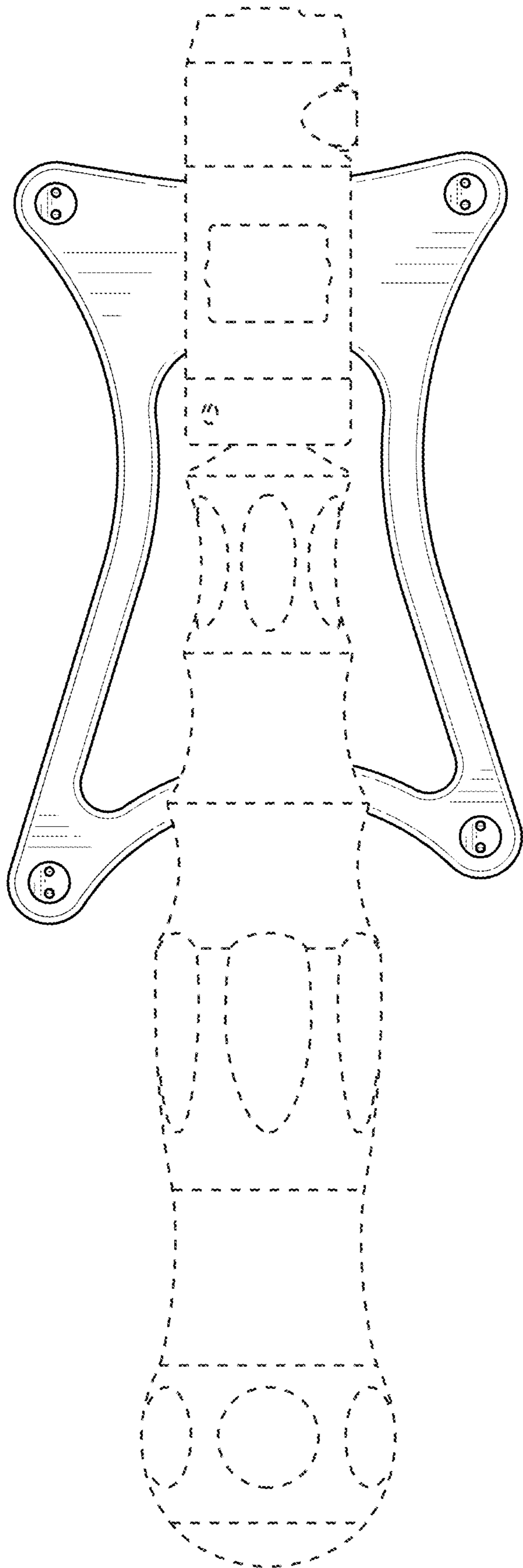


FIG. 8