



US00D958976S

(12) **United States Design Patent** (10) **Patent No.:** **US D958,976 S**
Orrington, II et al. (45) **Date of Patent:** **** Jul. 26, 2022**

(54) **SHIELD**

- (71) Applicant: **James L. Orrington, II D.D.S., P.C.**, Chicago, IL (US)
- (72) Inventors: **James L. Orrington, II**, Flossmoor, IL (US); **Michael Prince**, Chicago, IL (US); **Hyunchul Kim**, Chicago, IL (US)
- (73) Assignee: **James L. Orrington, II D.D.S., P.C.**, Chicago, IL (US)

(**) Term: **15 Years**

(21) Appl. No.: **29/772,107**

(22) Filed: **Feb. 26, 2021**

Related U.S. Application Data

- (63) Continuation of application No. 17/088,846, filed on Nov. 4, 2020.
- (51) **LOC (13) Cl.** **24-02**
- (52) **U.S. Cl.**
USPC **D24/127; D24/184**
- (58) **Field of Classification Search**
USPC D24/107, 157, 160, 231, 232, 121, 123, D24/224, 118, 108, 127; D29/104-110; D2/860, 861, 872-874

(Continued)

(56) **References Cited**

U.S. PATENT DOCUMENTS

- D354,560 S * 1/1995 Chase D24/129
- D704,934 S * 5/2014 Blinka D3/303

(Continued)

FOREIGN PATENT DOCUMENTS

- CN 306714006 * 7/2021
- JP D1683418 * 4/2021
- RU 00128304 * 11/2021

OTHER PUBLICATIONS

Dental Face Shield, Classical Designs, [Post Date unknown], [Site seen May 26, 2022], Seen at URL: <https://classicaldesigns.com/product/dental-face-shield/> (Year: 2022).*

(Continued)

Primary Examiner — Natasha Vujcic
Assistant Examiner — Gilbert B Ford

(74) *Attorney, Agent, or Firm* — Chiacchio IP, LLC; Theodore J. Chiacchio

(57) **CLAIM**

We claim, the ornamental design for a shield, as shown and described.

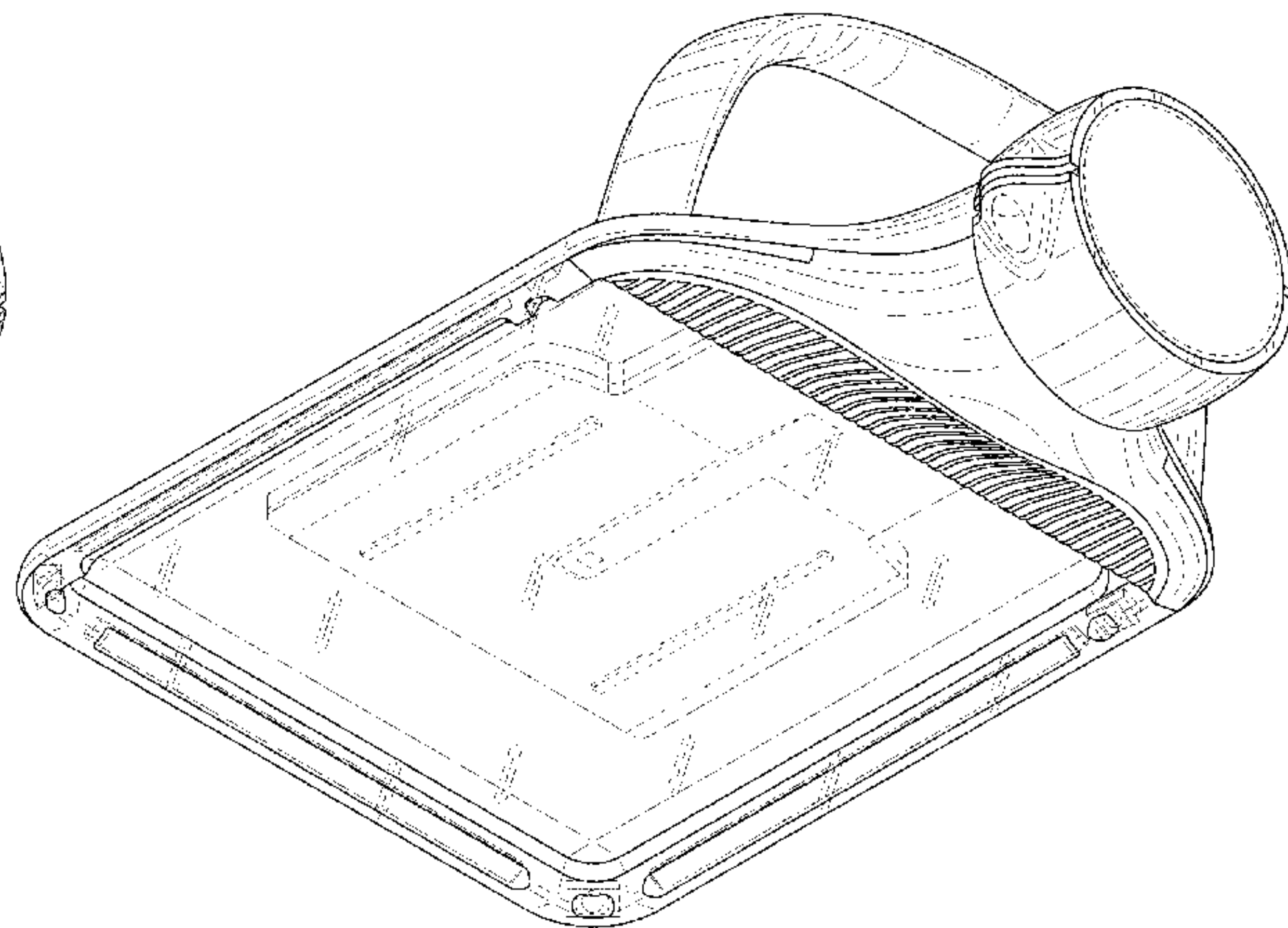
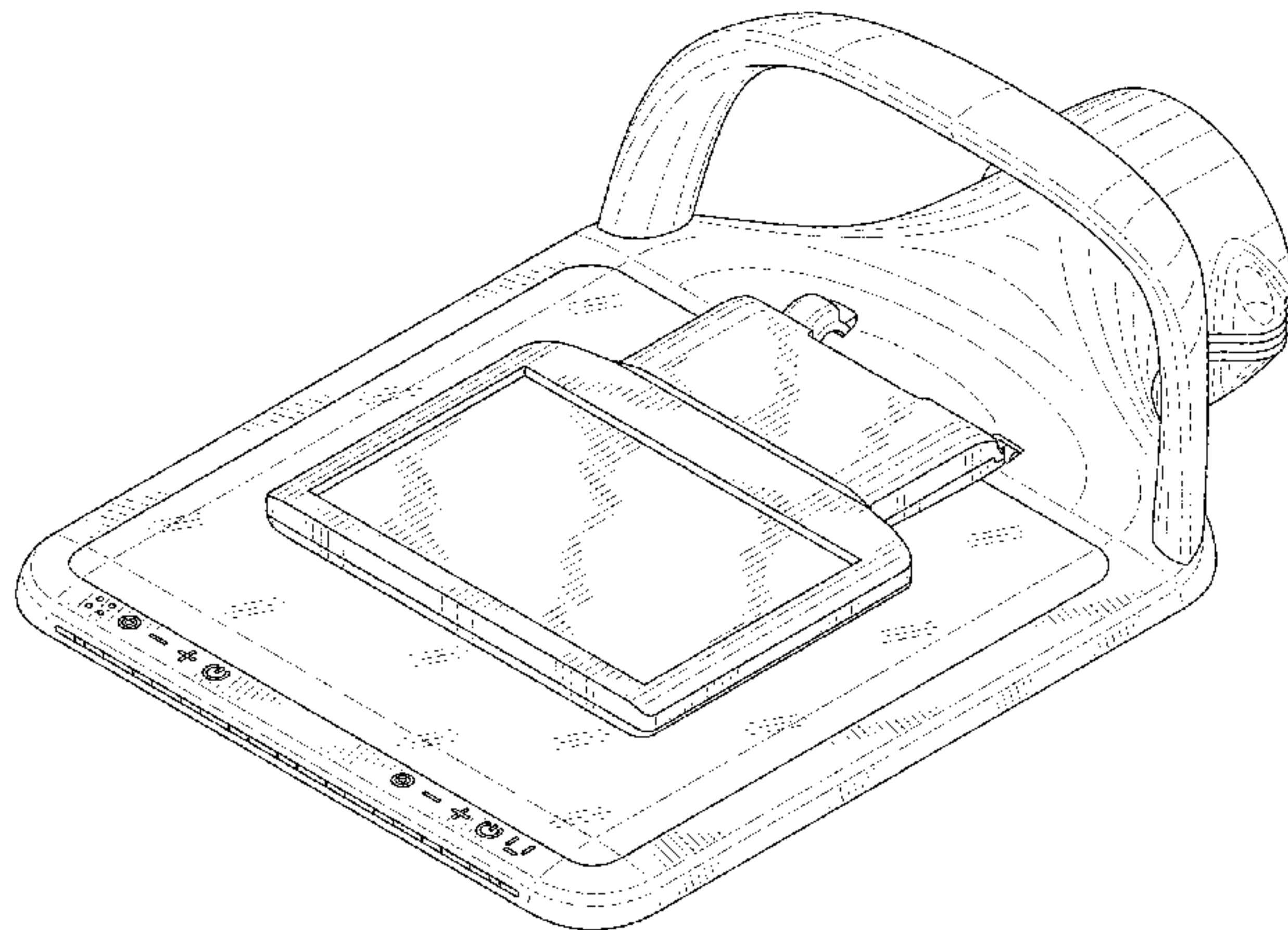
DESCRIPTION

The present application is a continuation of, and claims the benefit of and priority to, U.S. patent application Ser. No. 17/088,846, filed on Nov. 4, 2020, which is a continuation-in-part of, and claims the benefit of and priority to, U.S. patent application Ser. Nos. 16/943,133 and 16/943,178, both filed on Jul. 30, 2020 and both of which claim the benefit of and priority to U.S. patent application Ser. No. 16/924,649, filed on Jul. 9, 2020.

FIG. 1 is a top perspective view of a shield in accordance with the present invention.
FIG. 2 is a bottom perspective view thereof.
FIG. 3 is front view thereof.
FIG. 4 is a rear view thereof.
FIG. 5 is a side view thereof.
FIG. 6 is a side view thereof.
FIG. 7 is a top plan view thereof.
FIG. 8 is a bottom view thereof; and,
FIG. 9 is a detail view of an interface component of a design of the present invention.

The broken lines in the drawings illustrate portions of the shield and form no part of the claimed design.

1 Claim, 7 Drawing Sheets



(58) **Field of Classification Search**

CPC A61B 50/00; A61B 6/107; A61B 6/4411;
A41D 13/1184; A41D 13/1107; A41D
2600/00; G21F 3/00; G21F 3/02; G21Y
2004/30; A61N 2005/1094

See application file for complete search history.

(56) **References Cited**

U.S. PATENT DOCUMENTS

D784,541 S * 4/2017 Hilbig D24/186
10,016,251 B2 * 7/2018 Holman A61F 9/04
10,925,561 B2 * 2/2021 Snow A61B 6/4405
D912,842 S * 3/2021 Chou D24/225
D920,518 S * 5/2021 Takahashi D24/158
D926,462 S * 8/2021 Burgon D3/202
D936,905 S * 11/2021 Jeffers D29/107
11,191,334 B2 * 12/2021 Aghazadeh H04B 1/3888
D940,565 S * 1/2022 Nguyen D9/705
D947,679 S * 4/2022 Hughes D9/702
2021/0353469 A1 * 11/2021 Orrington, II A61B 50/00
2022/0084199 A1 * 3/2022 Lee G01N 33/52
2022/0142269 A1 * 5/2022 Orrington, II A41D 13/1107

OTHER PUBLICATIONS

Airguard LT. Airguard, [Post date: Feb. 15, 2021], [Site seen May 26, 2022], Seen at URL: <https://mobile.twitter.com/AirGuardHealth/status/1361314680480927750?ext=HHwWjMC42aifruQIAAAA> (Year: 2021).*

Dentistry biggest problem has been solved!! Airguard™, Airguard, Youtube, [Post date: Feb. 24, 2021], [Site seen May 26, 2022], Seen at URL: <https://www.youtube.com/watch?v=ARYY-o9GtSI> (Year: 2021).*

* cited by examiner

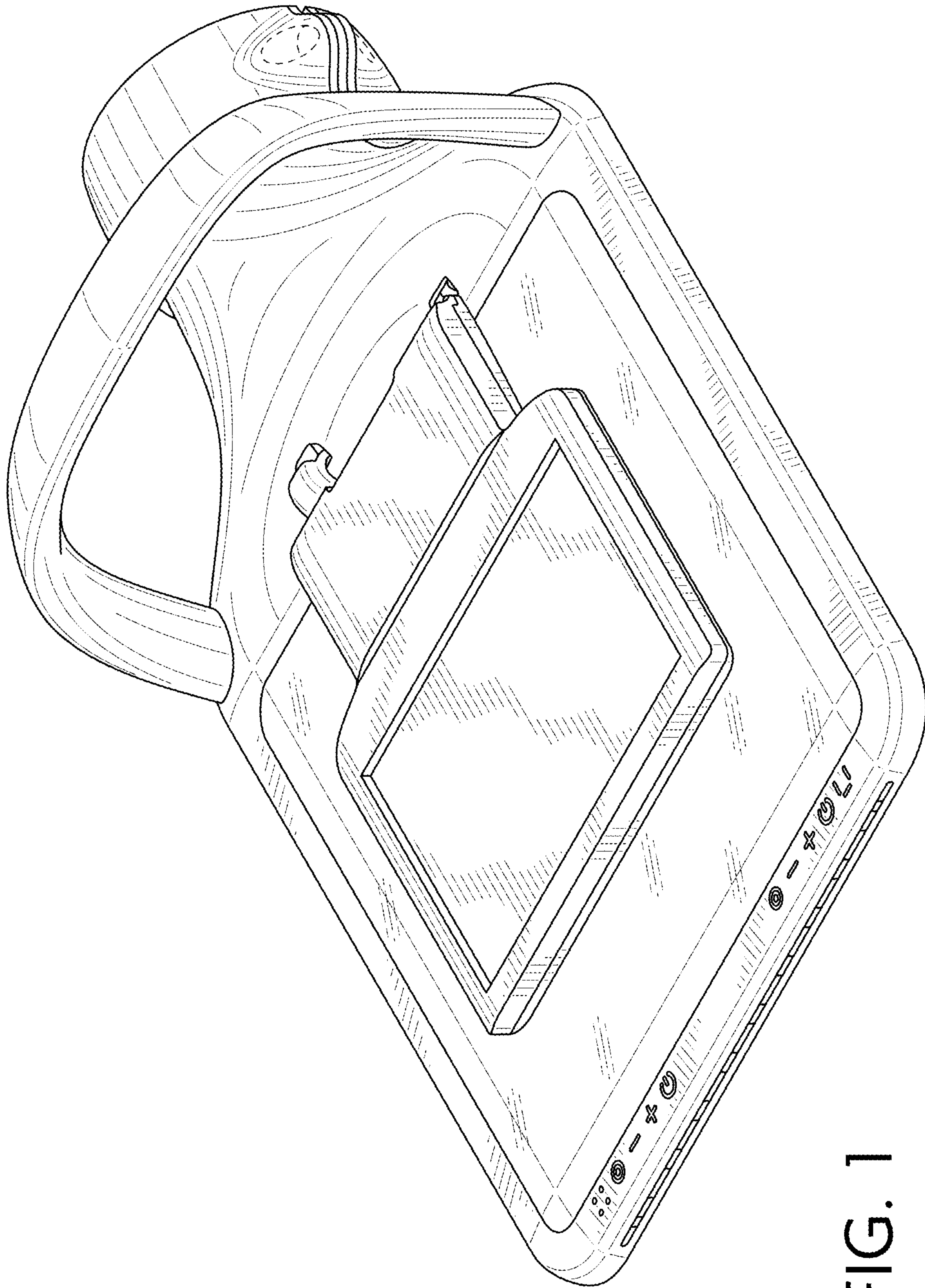


FIG. 1

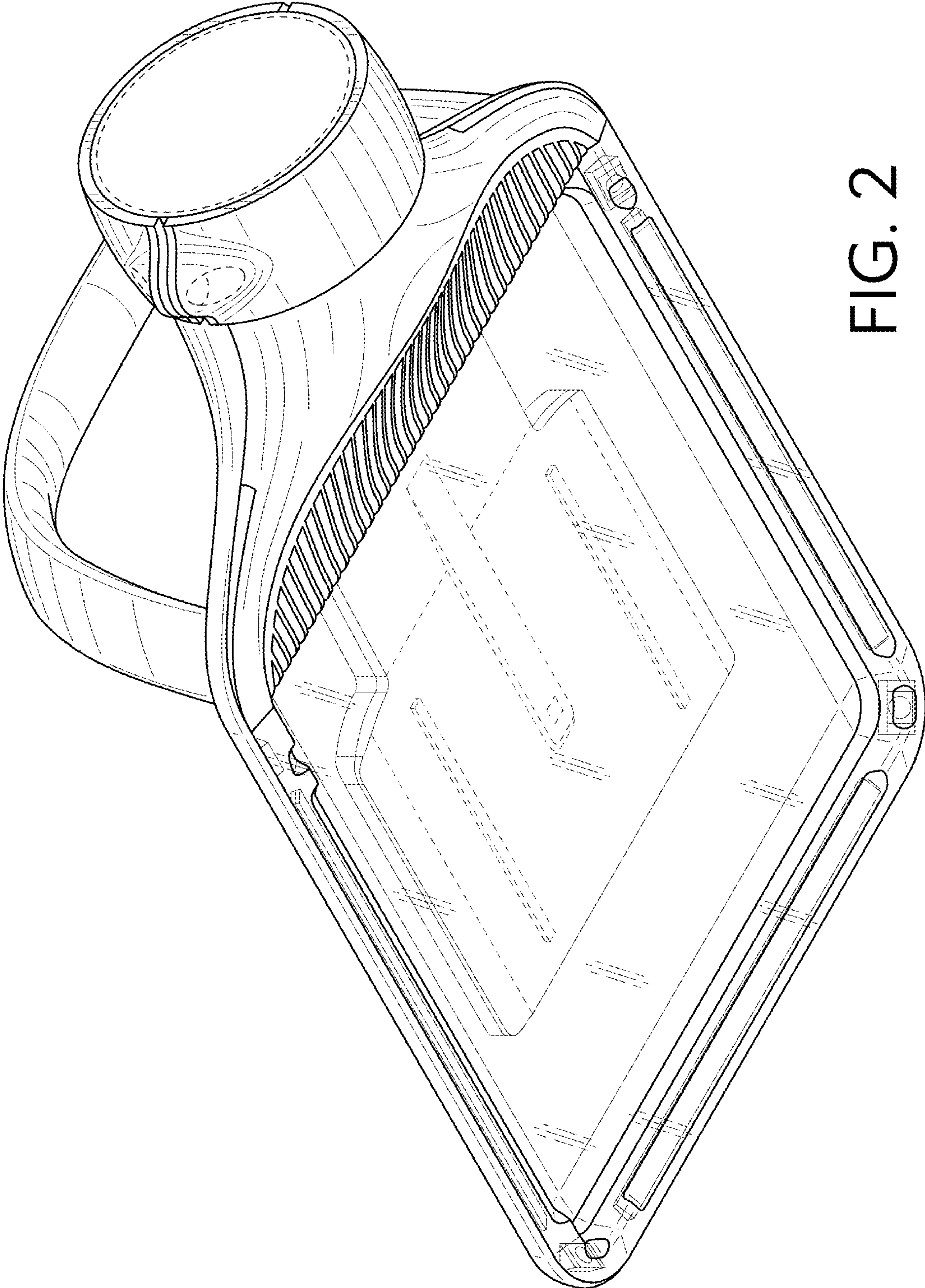


FIG. 2

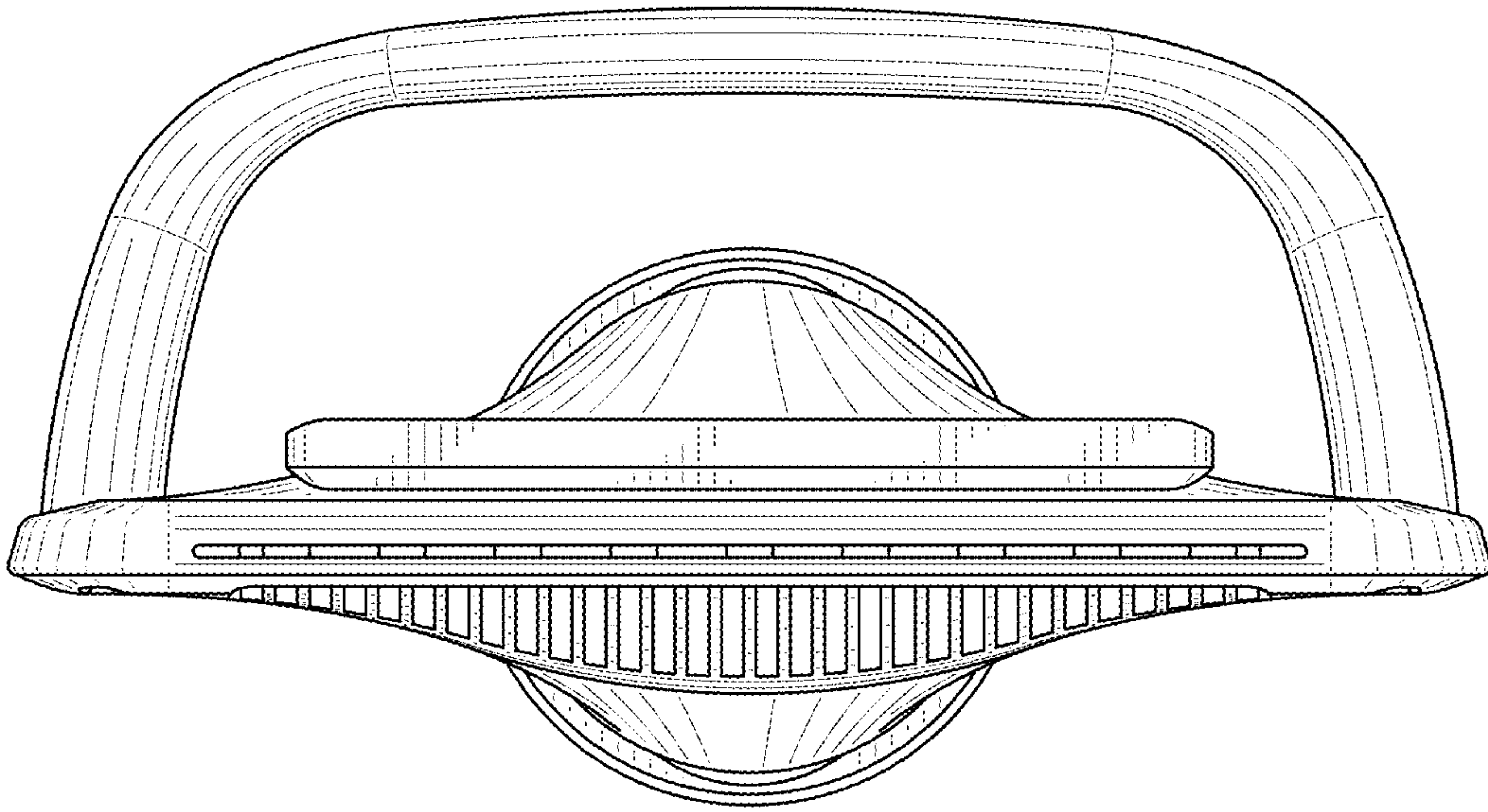


FIG. 3

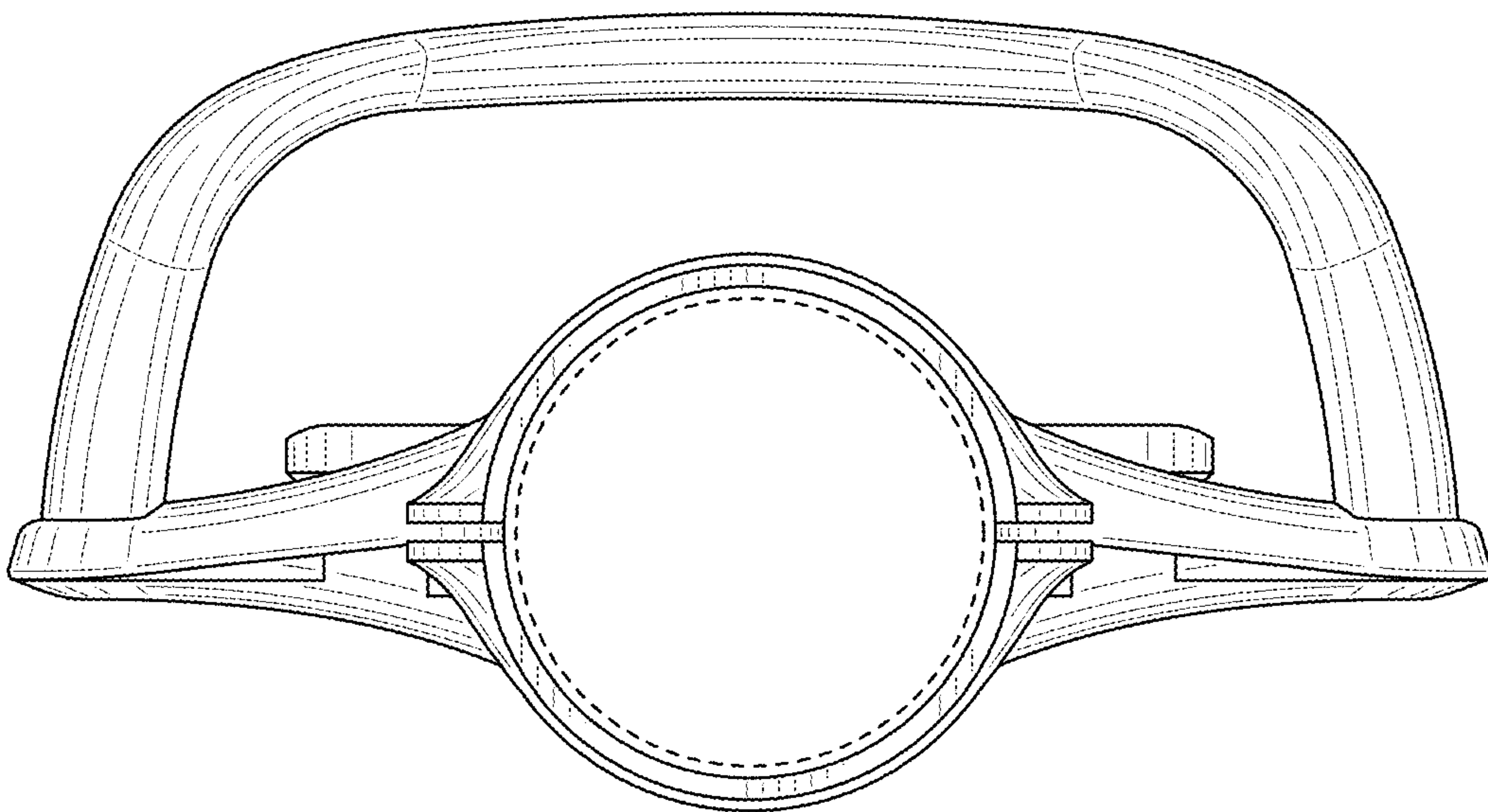


FIG. 4

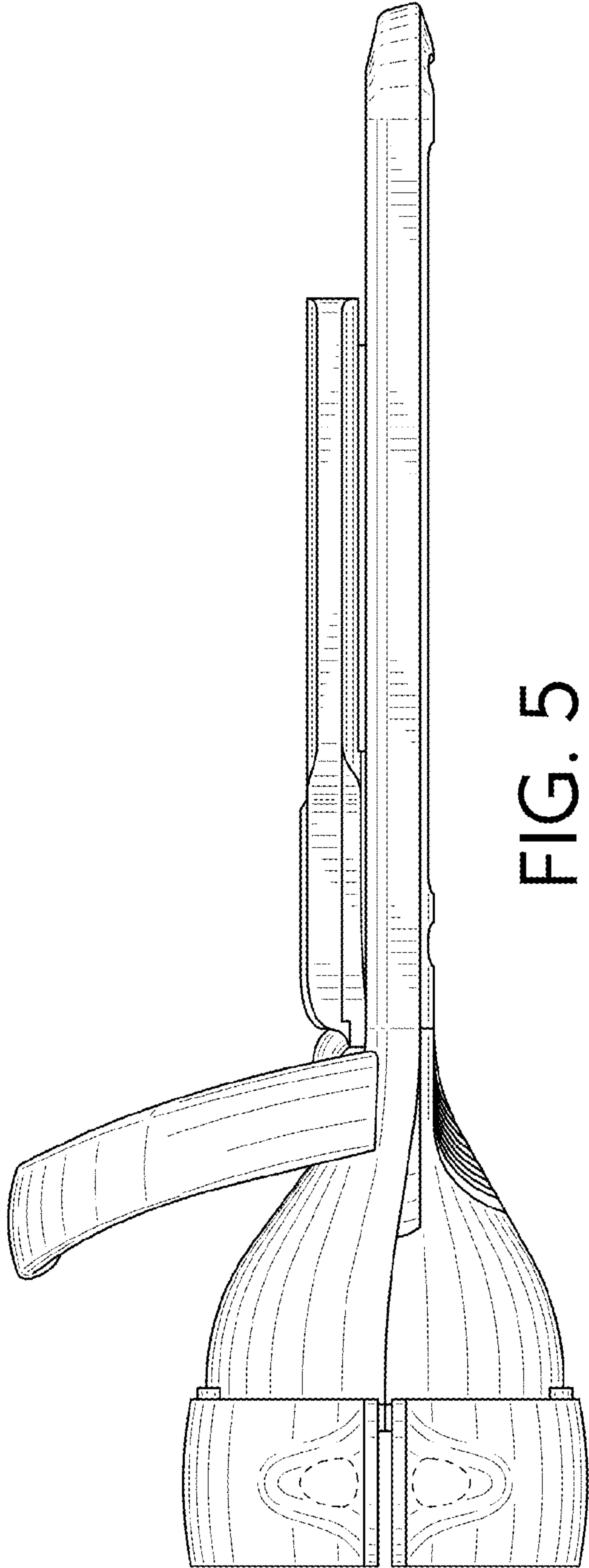


FIG. 5

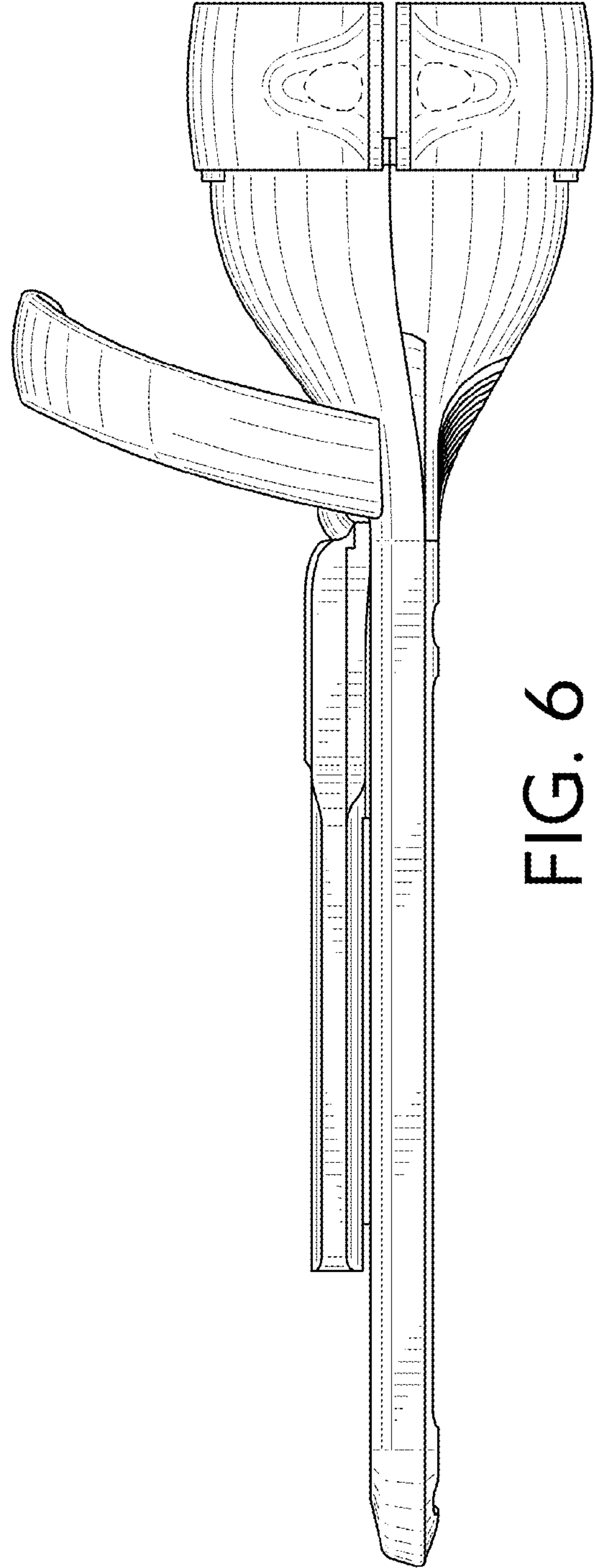


FIG. 6

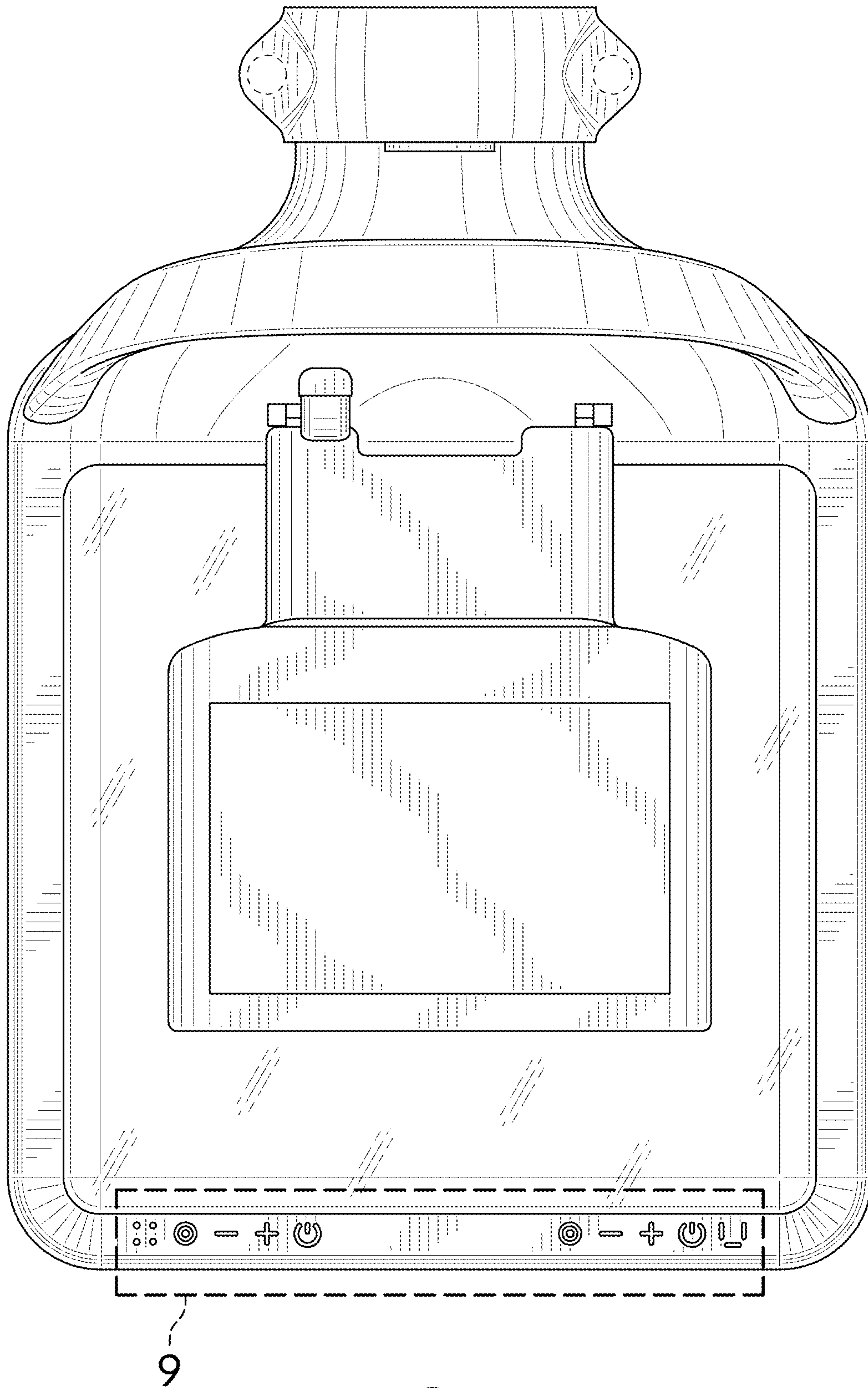


FIG. 7

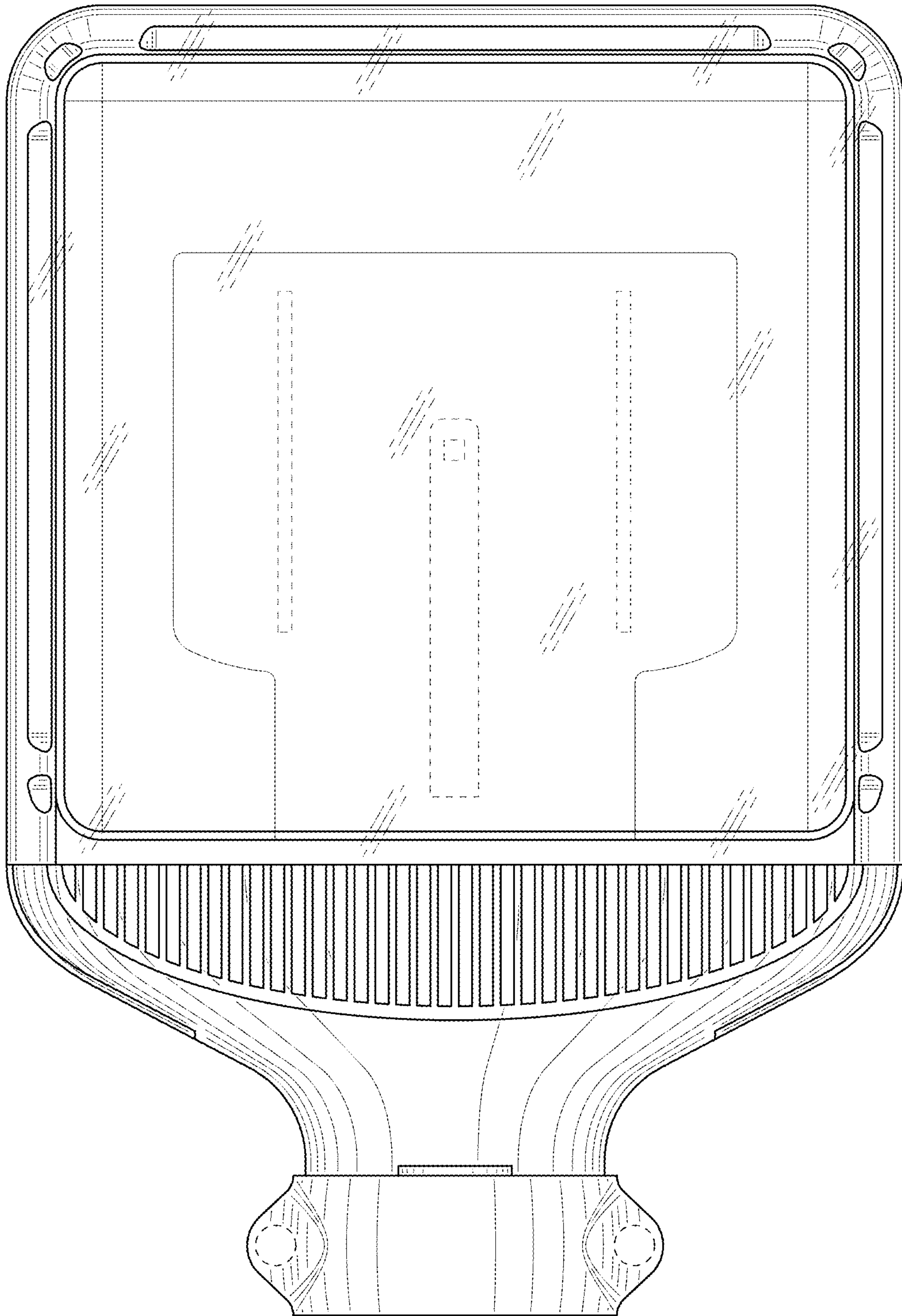


FIG. 8

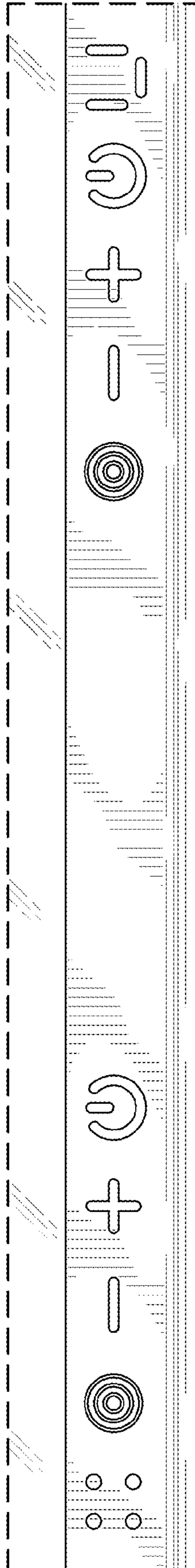


FIG. 9