



US00D958975S

(12) **United States Design Patent** (10) **Patent No.:** **US D958,975 S**
Kisner et al. (45) **Date of Patent:** **** Jul. 26, 2022**

(54) **RECEPTACLE**

FOREIGN PATENT DOCUMENTS

(71) Applicant: **MOBILEDETECT BIO INC.**, Sugar Land, TX (US)

WO D211063-001 * 11/2020

(72) Inventors: **Travis Kisner**, Sugar Land, TX (US); **Garrett Preston**, Sugar Land, TX (US); **Aaron Sanders**, Montgomery, TX (US); **Michael Garretson**, Sugar Land, TX (US)

OTHER PUBLICATIONS

COVID-19 Positive Control (100 Tests), MDBIO, [Post date unknown], [Site seen May 25, 2022], Seen at URL: <https://mdbio.com/product/covid-19-positive-control-12-tests/> (Year: 2022).*

(Continued)

(73) Assignee: **MOBILEDETECT BIO INC.**, Sugar Land, TX (US)

Primary Examiner — Natasha Vujcic
Assistant Examiner — Gilbert B Ford

(**) Term: **15 Years**

(74) *Attorney, Agent, or Firm* — Greenblum & Bernstein, P.L.C.

(21) Appl. No.: **29/756,797**

(22) Filed: **Oct. 30, 2020**

(57) **CLAIM**

We claim the ornamental design for a receptacle, as shown and described.

(51) **LOC (13) Cl.** **24-02**

(52) **U.S. Cl.**
USPC **D24/121**

(58) **Field of Classification Search**
USPC D9/702–714, 720, 430–433, 414, 418;
D3/303, 202, 203.1; D24/121, 123, 224,
D24/118, 108, 127, 207
CPC B65D 81/3277; G01N 33/52; G01N 21/51;
B01L 3/502

DESCRIPTION

See application file for complete search history.

FIG. 1 is a perspective view of front, right, and bottom sides of a receptacle showing the new design; FIG. 2 is perspective view of rear, left, and top sides thereof; FIG. 3 is a front view thereof; FIG. 4 is a rear view thereof; FIG. 5 is a left side view thereof; FIG. 6 is a right side view thereof; FIG. 7 is a top view thereof; and, FIG. 8 is a bottom view thereof.

(56) **References Cited**

U.S. PATENT DOCUMENTS

D360,824 S * 8/1995 Ossendryver D9/709
D384,164 S 9/1997 Leiva et al.
8,196,890 B1 * 6/2012 Lien B65D 33/14
211/85.15
9,978,153 B2 5/2018 Kisner et al.
D830,544 S * 10/2018 Kisner D24/121
D837,066 S * 1/2019 Mahin D9/707
10,354,412 B2 7/2019 Kisner et al.
D859,178 S * 9/2019 Mahin D9/708

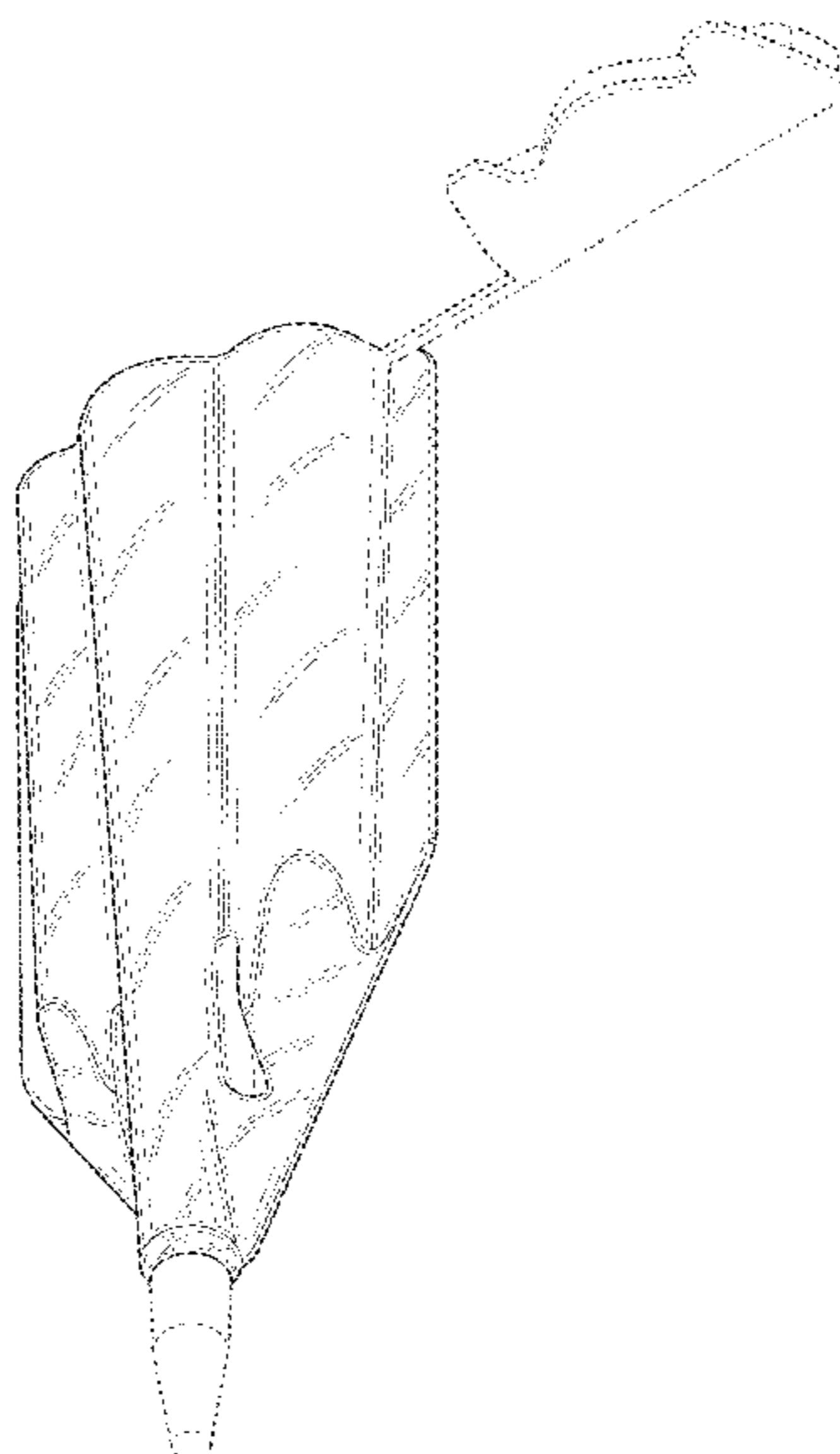
The entire article that is the receptacle of this design is transparent, and the oblique line shading shown in the drawings illustrates this transparency.

The broken lines shown in the drawings illustrate portions of the receptacle that form no part of the claimed design.

Any surfaces of the receptacle not shown, including interior surfaces and any surfaces shown in broken lines, form no part a the claimed design.

(Continued)

1 Claim, 6 Drawing Sheets



(56)

References Cited

U.S. PATENT DOCUMENTS

D887,281 S * 6/2020 Morris D9/703
D920,129 S * 5/2021 Gosling D9/708
D920,807 S * 6/2021 Kisner D9/711
D945,604 S * 3/2022 Scott D24/118
D949,704 S * 4/2022 Rosenberg D9/709
2004/0151624 A1 8/2004 Erdman, Jr. et al.
2015/0290638 A1* 10/2015 Kisner G01N 31/22
422/417
2016/0041134 A1* 2/2016 Kisner D21H 19/14
427/372.2
2017/0154438 A1* 6/2017 Kisner G01N 21/274
2019/0137461 A1* 5/2019 Kisner G01N 21/78
2022/0136031 A1* 5/2022 Kisner G01N 21/25
435/34

OTHER PUBLICATIONS

Glover, John, "Omega Diagnostics' Covid-19 test gets European accreditation," Insider Co. UK, [Post date: Feb. 4, 2022], [site seen May 25, 2022], Seen at URL: <https://www.insider.co.uk/news/omega-diagnostics-covid-19-test-26136485> (Year: 2022).*

Design U.S. Appl. No. 29/661,903 to Kisner et al., filed Aug. 31, 2018.

Design U.S. Appl. No. 17/085,409 to Kisner et al., filed Oct. 30, 2020.

* cited by examiner

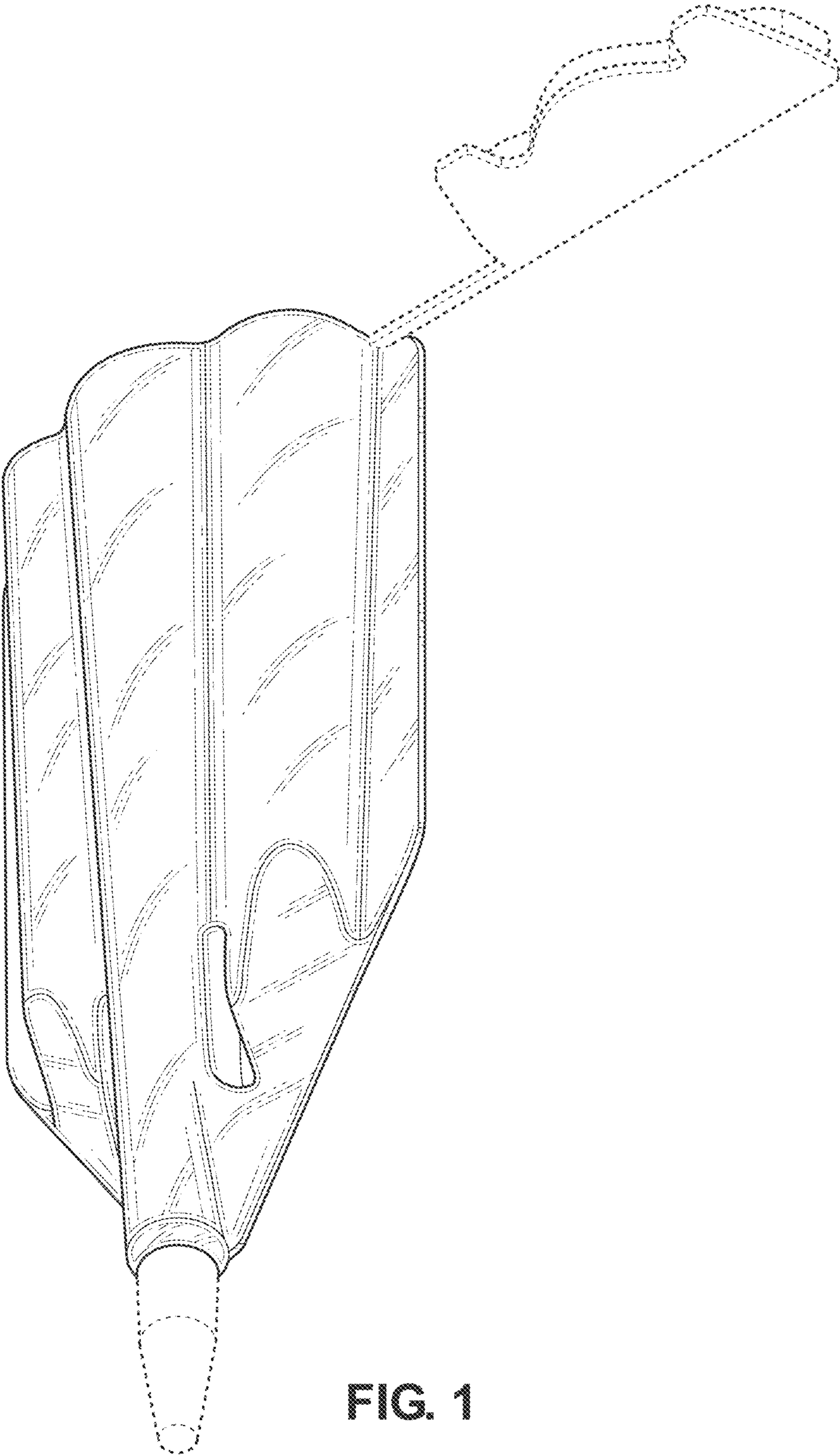


FIG. 1

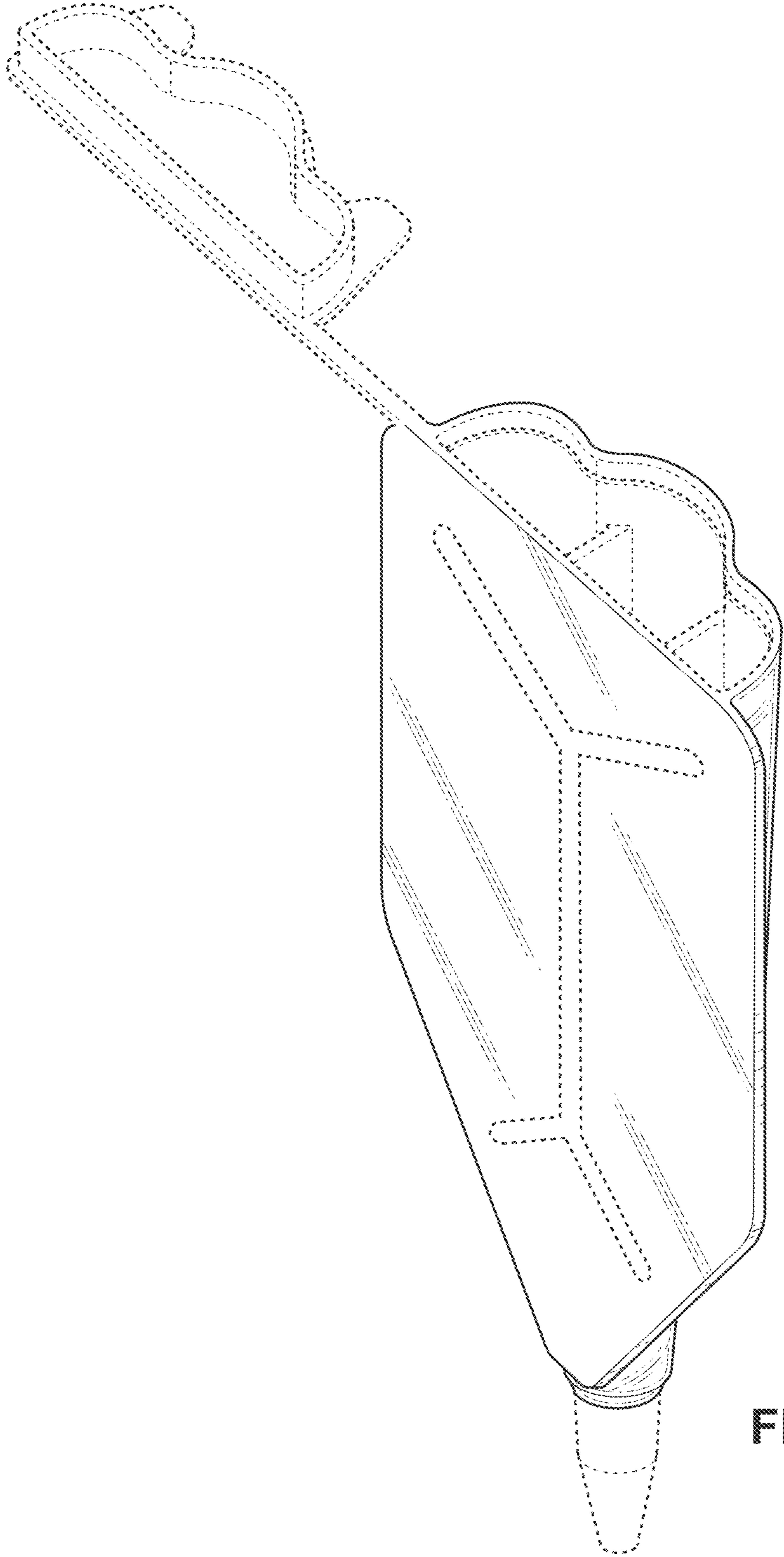


FIG. 2

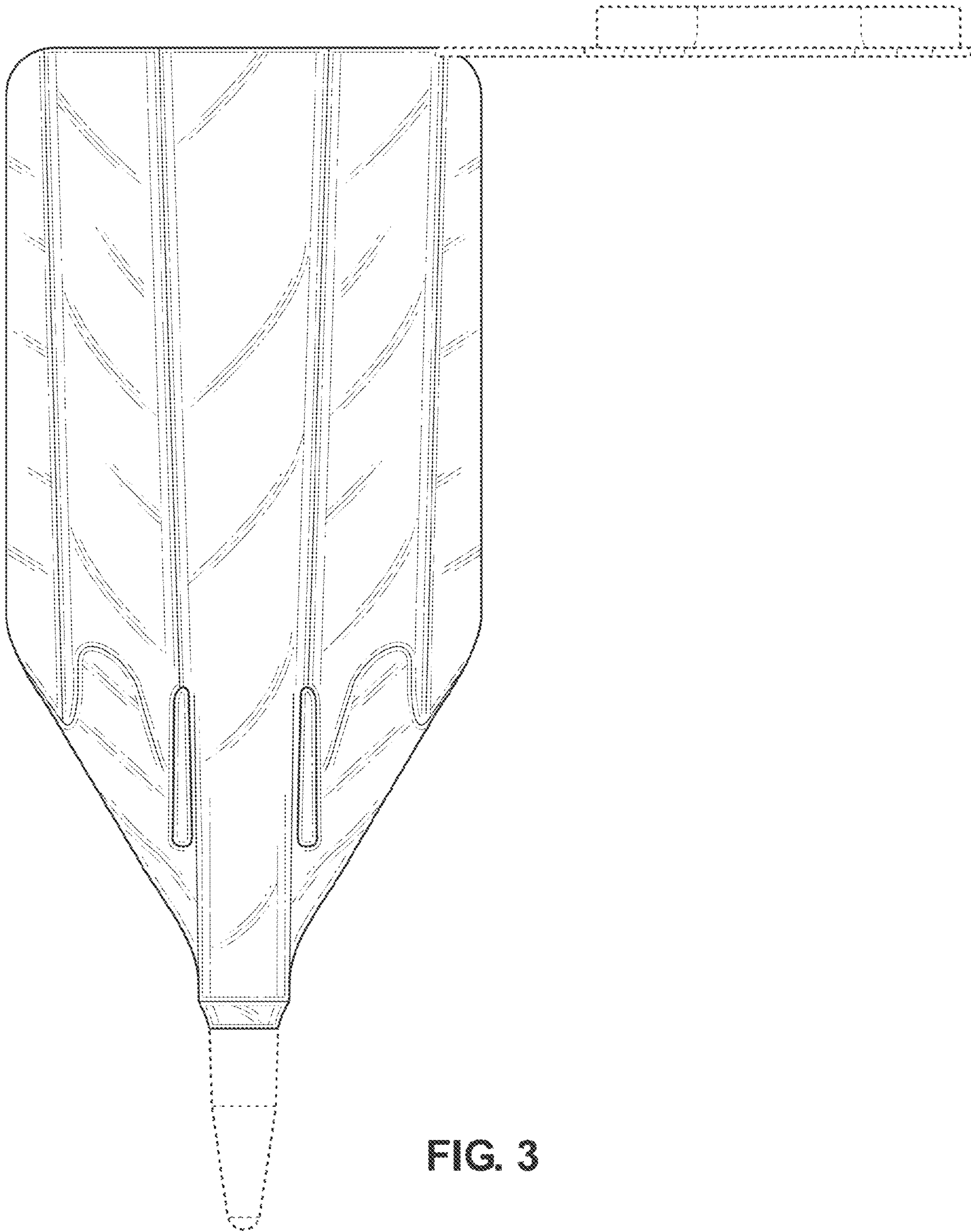


FIG. 3

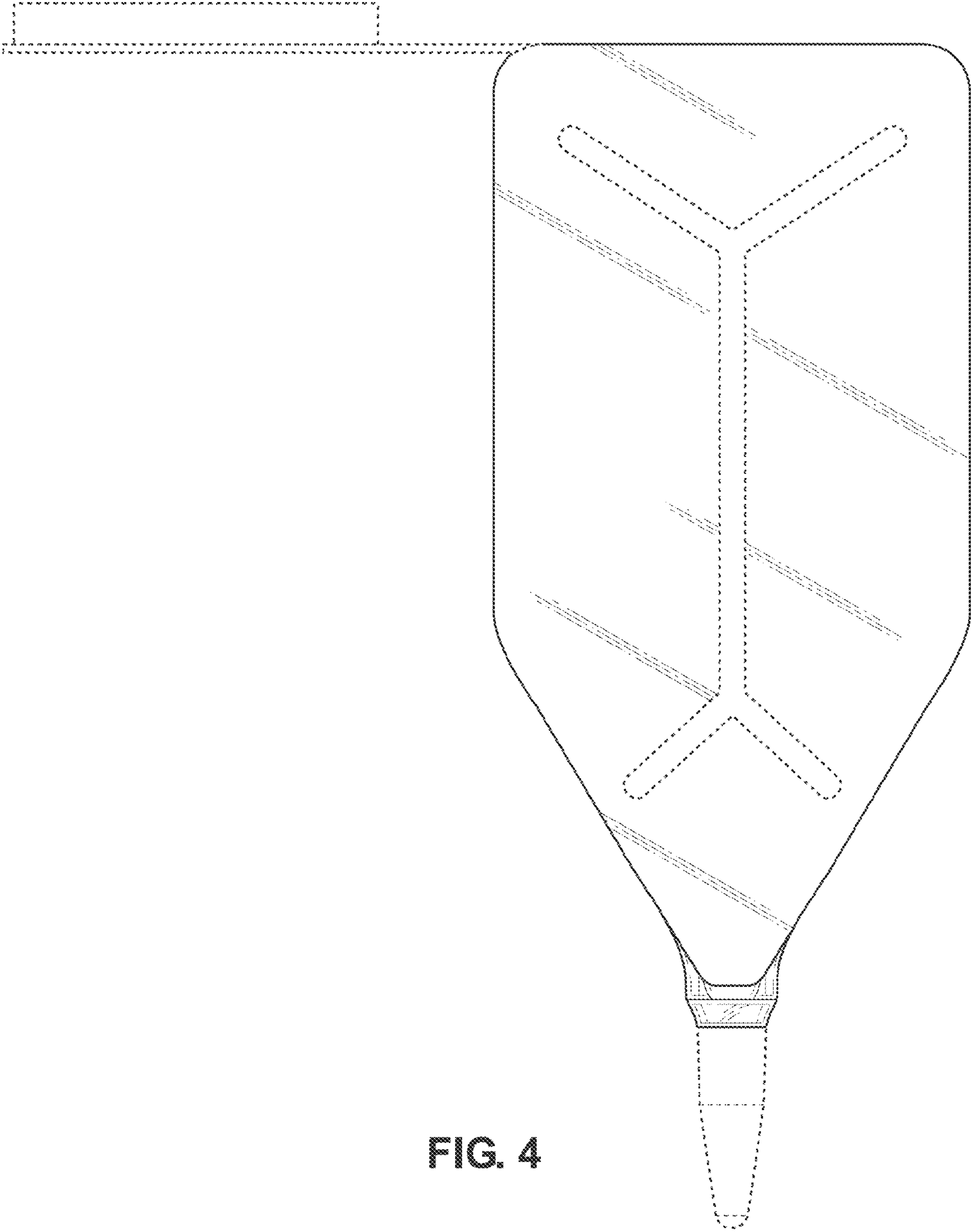


FIG. 4

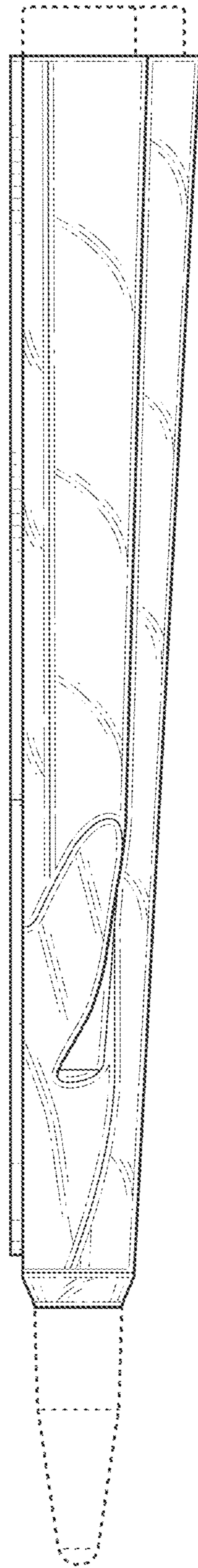


FIG. 5

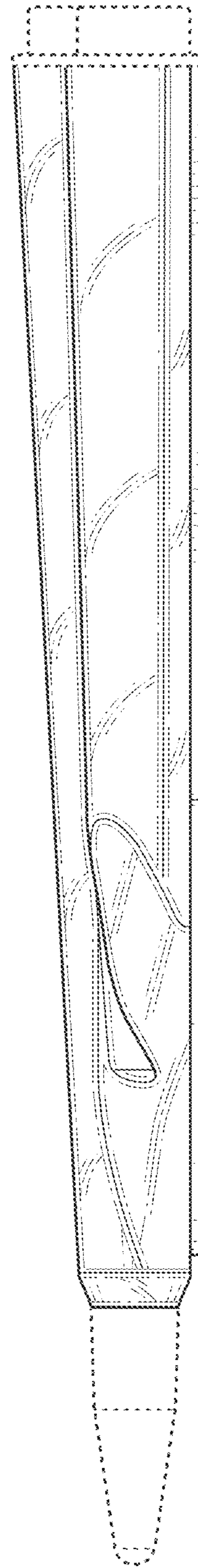


FIG. 6

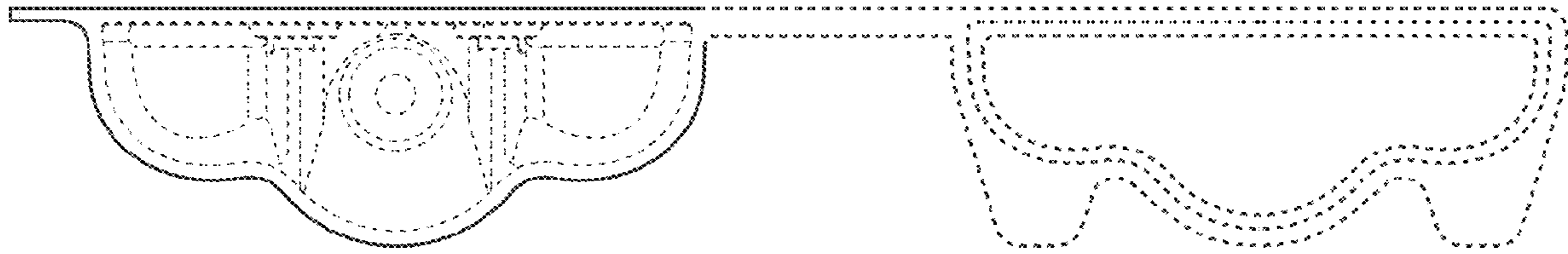


FIG. 7

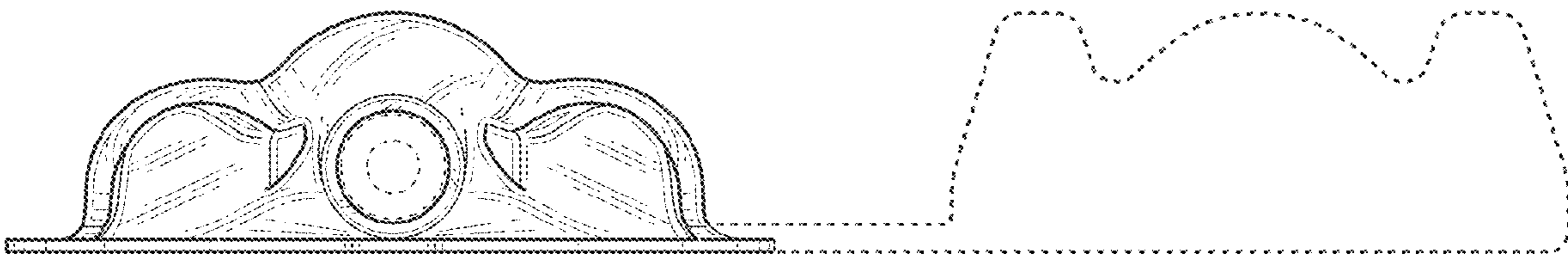


FIG. 8