



US00D958974S

(12) **United States Design Patent**
Baik et al.

(10) **Patent No.:** **US D958,974 S**
(45) **Date of Patent:** **** Jul. 26, 2022**

- (54) **SURGICAL SPONGE**
- (71) Applicant: **International Private Bank LLC**
- (72) Inventors: **Peter Baik**, Tulsa, OK (US); **Courtney Craft**, Knoxville, TN (US); **Michael Kastura**, Knoxville, TN (US); **Ethan Edward Valentine**, Knoxville, TN (US)
- (73) Assignee: **COH HOLDCO INC.**, Duarte, CA (US)
- (**) Term: **15 Years**
- (21) Appl. No.: **29/670,304**
- (22) Filed: **Nov. 15, 2018**
- (51) **LOC (13) Cl.** **24-02**
- (52) **U.S. Cl.**
USPC **D24/119; D24/108**
- (58) **Field of Classification Search**
USPC **D24/108, 113, 115, 119, 124, 125, 126; D28/8, 40; D32/40**
CPC **A61F 13/15; A61F 13/36; A61F 13/45**
See application file for complete search history.

3,118,163 A 1/1964 Rippen
 3,834,390 A 9/1974 Hirsch
 4,217,901 A * 8/1980 Bradstreet A61L 15/60
 604/368

(Continued)

OTHER PUBLICATIONS

Gholami SS, Shekarriz B, Rudnick D, Duh QY, Stoller ML, Kittner Roll Gauze Sponge for Laproscopic, Robotic Procedure, Da Vinci Surgery, The Laproscopic Sponge from National Center for Biotechnology Information (NCBI), Dept. of Urology, University of California, San Francisco, CA 94143 United States of America, 3 pages, Date: 00/00/2012.

(Continued)

Primary Examiner — L. A. Grabenstetter
 (74) *Attorney, Agent, or Firm* — Luedeka Neely Group, PC

(57) **CLAIM**

The ornamental design for a surgical sponge, as shown and described.

DESCRIPTION

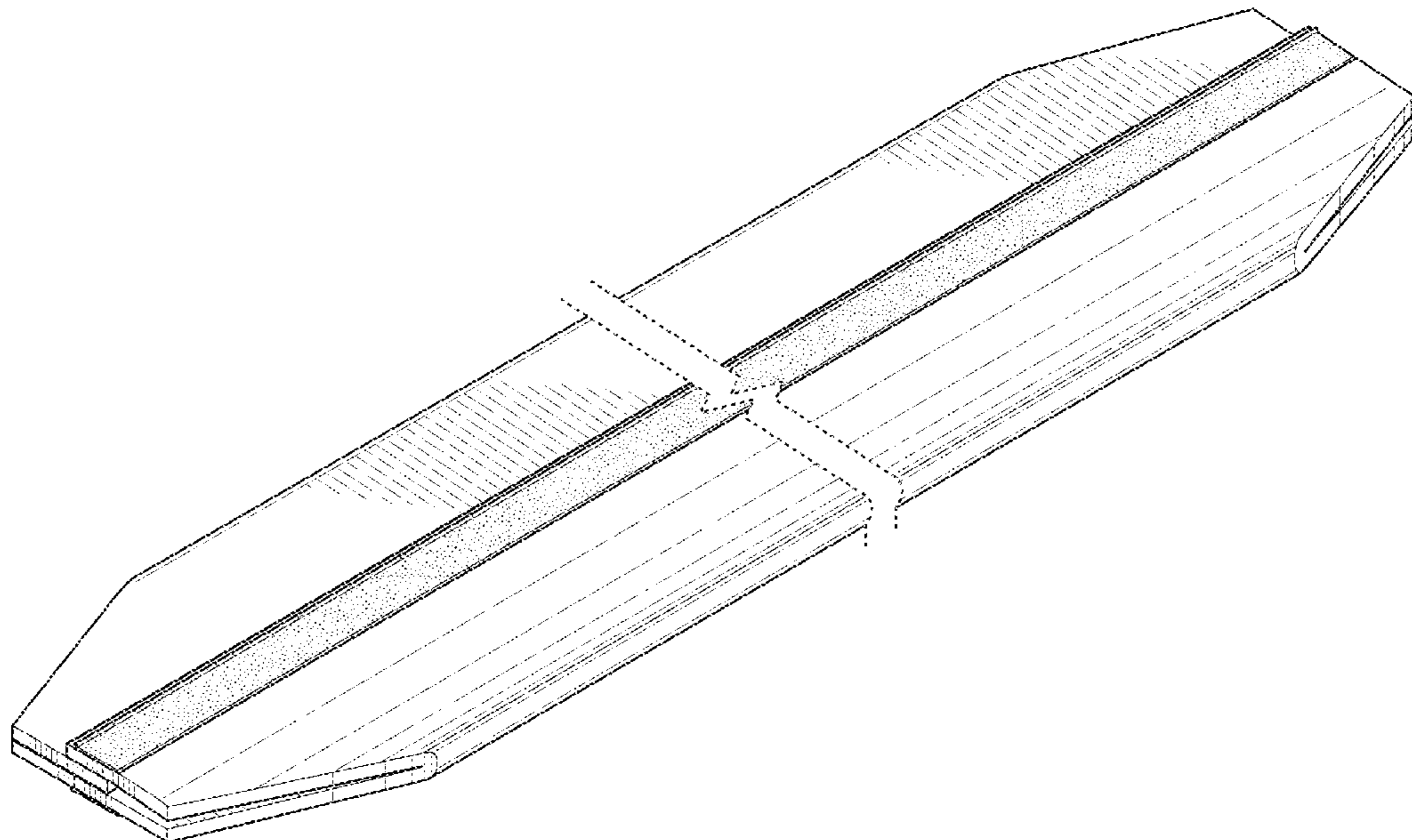
FIG. 1 is an upper perspective view of a surgical sponge of our new design.
 FIG. 2 is a top plan view of the surgical sponge of FIG. 1.
 FIG. 3 is a bottom plan view of the surgical sponge of FIG. 1.
 FIG. 4 is a front-end view of the surgical sponge of FIG. 1.
 FIG. 5 is a rear-end view of the surgical sponge of FIG. 1.
 FIG. 6 is a right-side view of the surgical sponge of FIG. 1; and,
 FIG. 7 is a left-side view of the surgical sponge of FIG. 1.
 The broken lines are included for the purpose of illustrating breakaway lines, and form no part of the claimed design.
 The surgical sponge is shown with a symbolic break in its length. The appearance of any portion of the article between the break lines forms no part of the claimed design.

1 Claim, 3 Drawing Sheets

(56) **References Cited**

U.S. PATENT DOCUMENTS

- 1,949,271 A * 2/1934 Duhamel A61F 13/0203
602/42
- 1,985,667 A 12/1934 Nelson et al.
- 2,687,722 A * 8/1954 Larney A61F 13/0203
602/58
- 2,826,200 A * 3/1958 Brien A61F 13/51
604/375
- 2,972,350 A 2/1961 Marta
- 2,992,644 A * 7/1961 Plantinga A61F 13/0203
602/47



(56)

References Cited

U.S. PATENT DOCUMENTS

4,477,256 A 10/1984 Hirsch
D347,892 S * 6/1994 Gegelys D24/124
D347,893 S * 6/1994 Gegelys D24/124
5,725,517 A 3/1998 DeBusk
6,079,562 A * 6/2000 Bauer B65D 85/07
206/494
D509,935 S * 9/2005 Burt D28/63
D516,728 S * 3/2006 Wall D24/124
D599,476 S * 9/2009 Levine D24/119
D632,398 S * 2/2011 Bray D24/188
D648,911 S * 11/2011 Brown D32/40
D792,042 S * 7/2017 Parsons D32/40
D915,583 S * 4/2021 Blaikie D24/124
2003/0135177 A1 * 7/2003 Baker A61F 13/535
604/368
2012/0259302 A1 10/2012 Chaisumdet et al.
2013/0079590 A1 3/2013 Bengtson
2016/0367409 A1 * 12/2016 Chen A61F 13/84
2019/0358092 A1 * 11/2019 Baik A61F 13/45

OTHER PUBLICATIONS

International Searching Authority, PCT/US19/ 17577, dated May 6, 2019, International Search Report and Written Opinion.

* cited by examiner

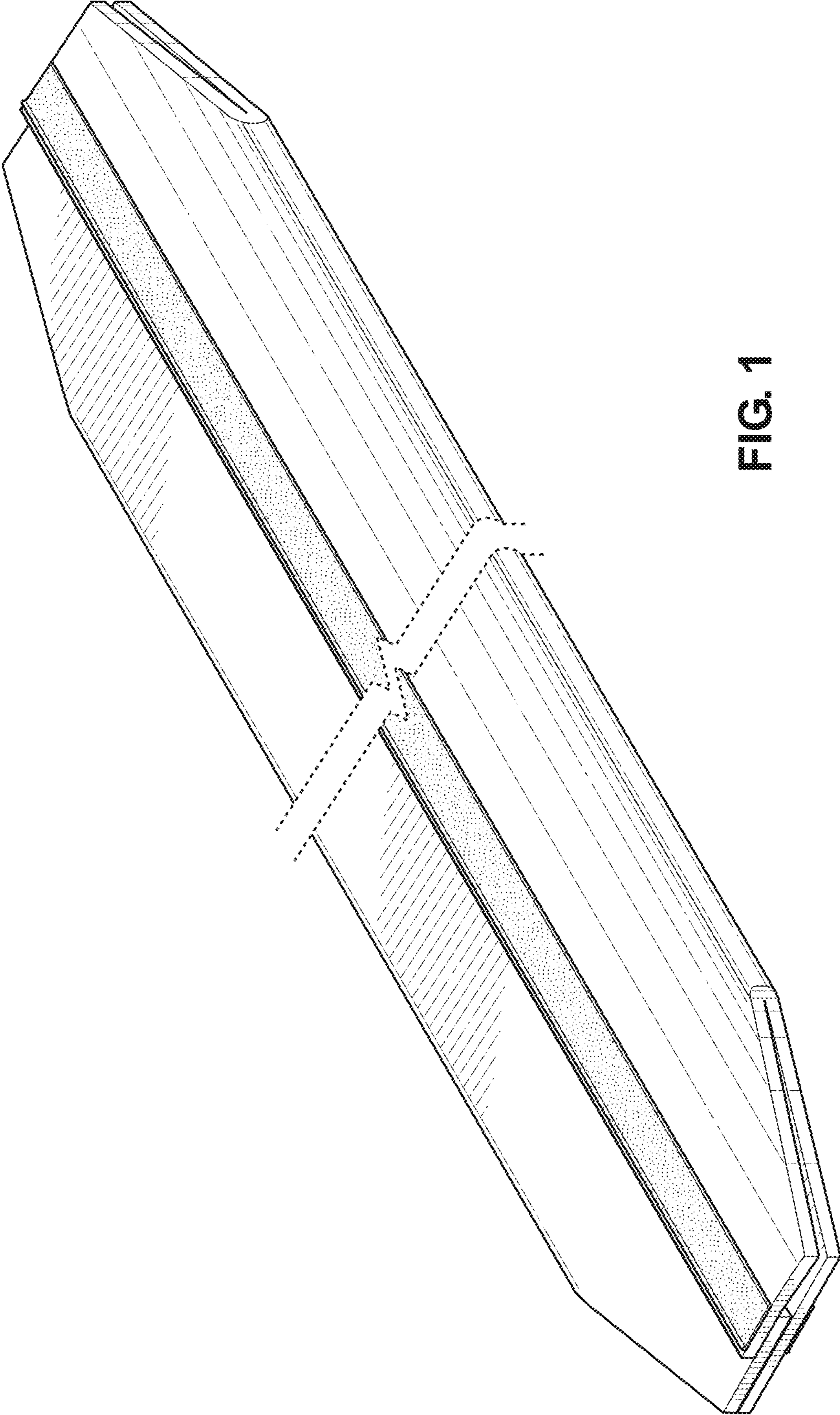


FIG. 1

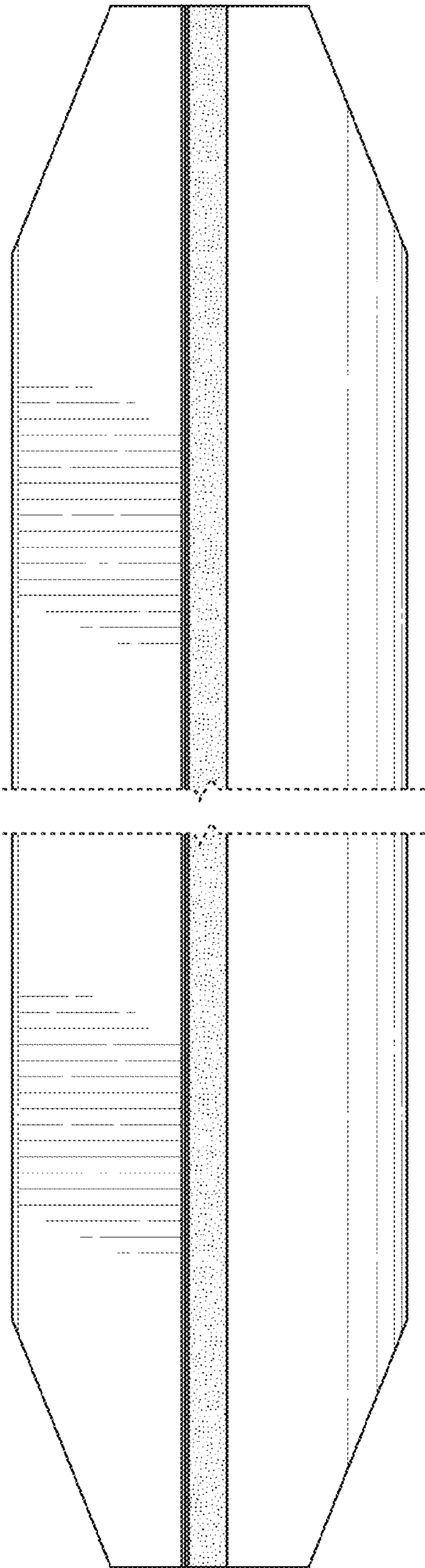


FIG. 2

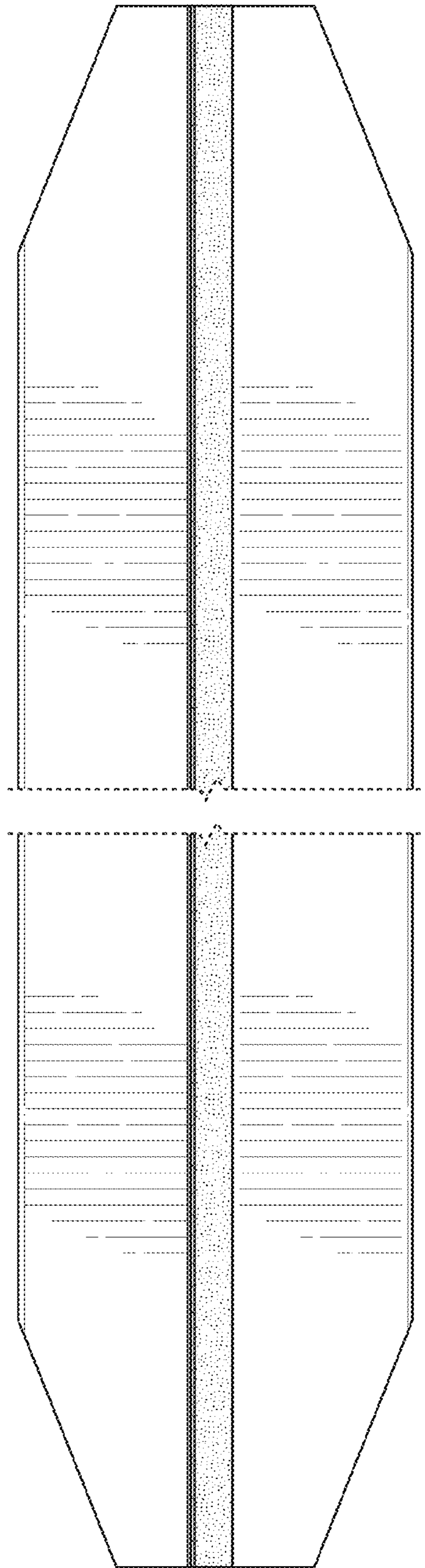


FIG. 3

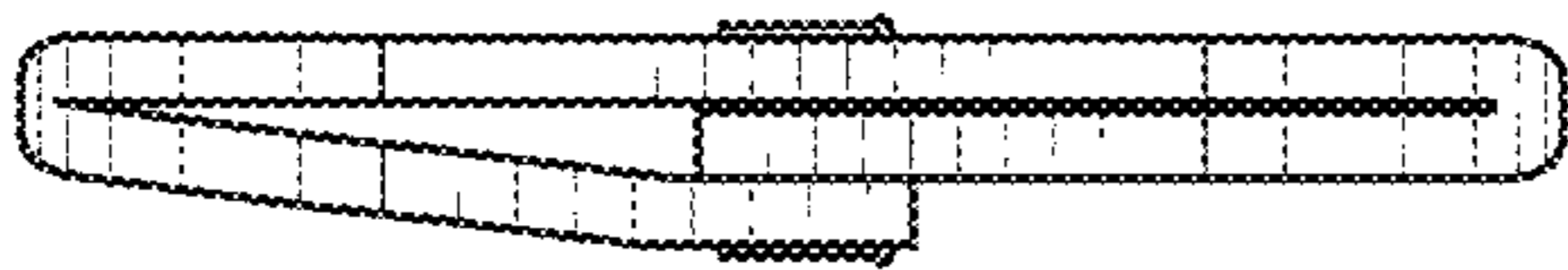


FIG. 4

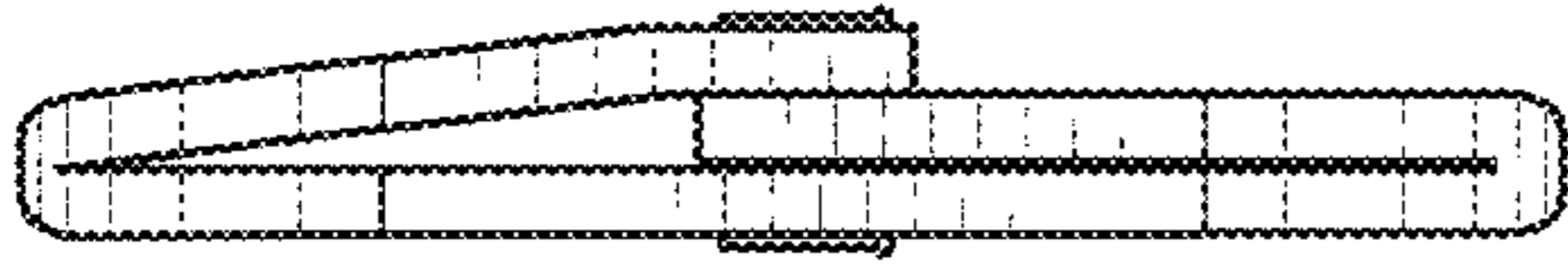


FIG. 5

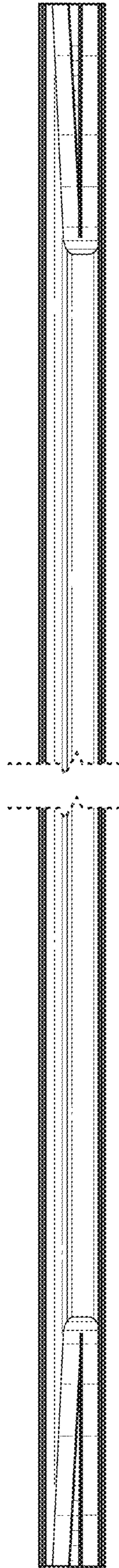


FIG. 6

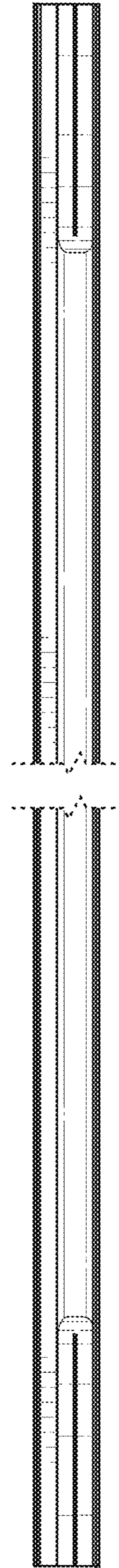


FIG. 7