



US00D958965S

(12) **United States Design Patent** (10) **Patent No.:** **US D958,965 S**  
**Vercoe** (45) **Date of Patent:** **\*\* Jul. 26, 2022**

(54) **UNDERWATER SPEAKING CHAMBER** 8,161,966 B2 \* 4/2012 Foley ..... A61B 5/486  
128/200.24  
(71) Applicant: **Kendal Vercoe**, Honolulu, HI (US) D665,073 S \* 8/2012 Inoue ..... D24/110  
D735,316 S \* 7/2015 Steelman ..... D24/110  
(72) Inventor: **Kendal Vercoe**, Honolulu, HI (US) D757,246 S \* 5/2016 Steelman ..... D24/110  
10,029,055 B2 \* 7/2018 Naoum ..... A61M 16/14  
(73) Assignee: **Scuba Tuba Inc.**, Honolulu, HI (US) D928,934 S \* 8/2021 Lin ..... D24/110  
D928,935 S \* 8/2021 Li ..... D24/110  
2004/0182641 A1 9/2004 Overmyer

(\*\*) Term: **15 Years**

**FOREIGN PATENT DOCUMENTS**

(21) Appl. No.: **29/715,092**  
(22) Filed: **Nov. 27, 2019**  
(51) **LOC (13) Cl.** ..... **29-02**  
(52) **U.S. Cl.**  
USPC ..... **D24/110**  
(58) **Field of Classification Search**  
USPC ..... D24/110-110.6, 127, 129; D29/110  
CPC ..... A61M 16/0616; A61M 16/0633; A61M  
16/06; A61M 16/0666; A61M 16/0683;  
A61M 16/0605; A61M 16/0622; A61M  
16/0644; A61M 16/0875; A61M 16/0816;  
A61M 16/08; B63C 11/205; B63C 11/16;  
B63C 11/186; B63C 11/12  
See application file for complete search history.

JP	08019079	A	1/1996
KR	1020030035747	A	5/2003
PH	2013000178	A	4/2015
WO	2017048145	A1	3/2017
WO	2020017996	A1	1/2020

\* cited by examiner

*Primary Examiner* — Sheryl Lane  
*Assistant Examiner* — Aula Soroush  
(74) *Attorney, Agent, or Firm* — Ulmer & Berne, LLP;  
Vance Vandrake

(57) **CLAIM**

The ornamental design for an underwater speaking chamber, as shown and described.

**DESCRIPTION**

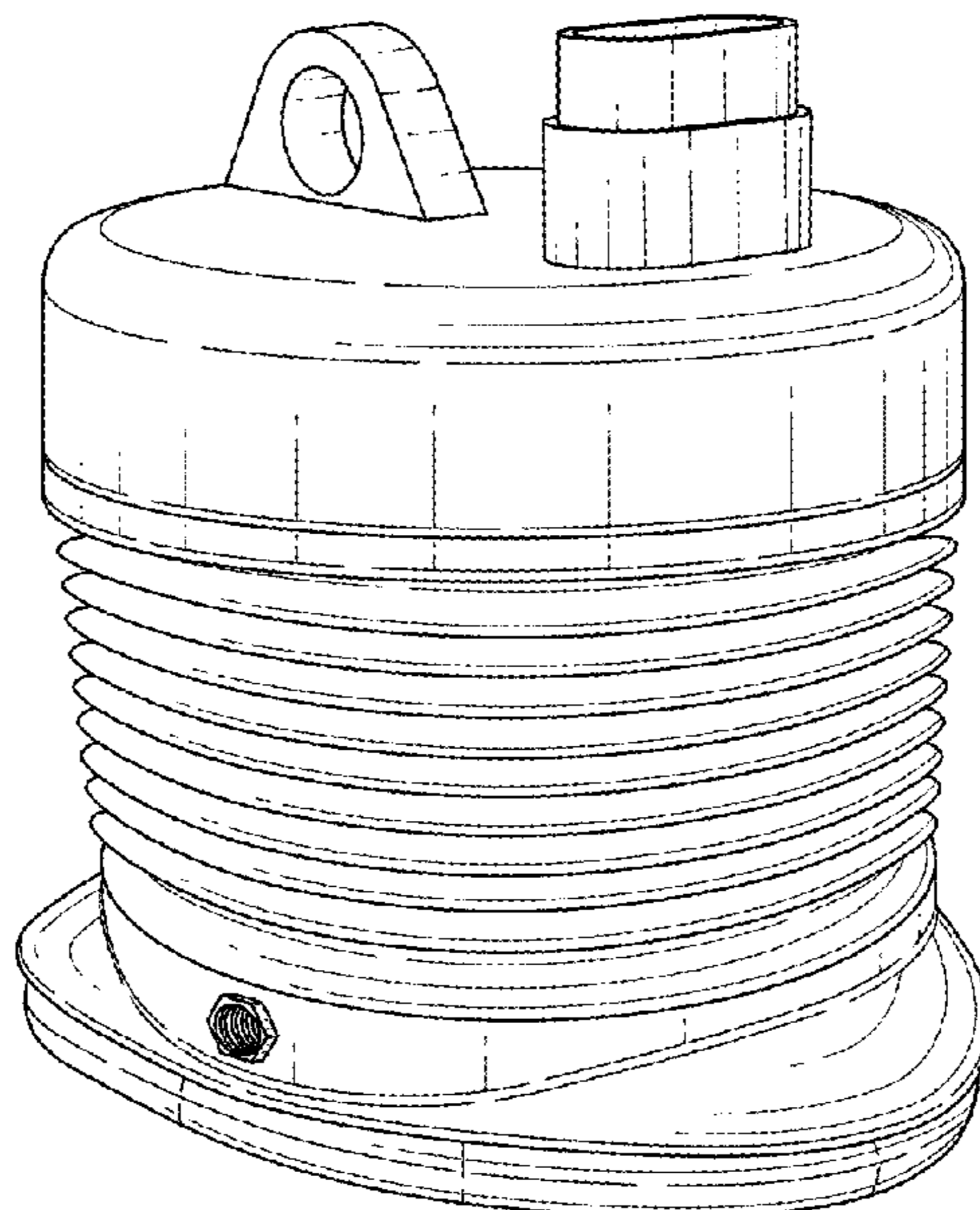
FIG. 1 is a perspective view of an underwater speaking chamber showing my new design;  
FIG. 2 is an elevational view thereof from the front;  
FIG. 3 is an elevational view thereof from the rear;  
FIG. 4 is an elevational view thereof from the left;  
FIG. 5 is an elevational view thereof from the right;  
FIG. 6 is a top plan view thereof; and,  
FIG. 7 is a bottom plan view thereof.  
The broken lines in FIGS. 2, 3, 6, and 7 show interior hollow portions of the underwater speaking chamber that form no part of the claimed design.

(56) **References Cited**

**U.S. PATENT DOCUMENTS**

3,347,230	A	10/1967	Cupp	
4,071,110	A	1/1978	Payne	
5,209,226	A	5/1993	Goodley	
D340,975	S *	11/1993	Sladek	D24/110
5,493,079	A	2/1996	Anderson	
5,877,460	A	3/1999	Stachowski	
5,937,856	A *	8/1999	Jonasson	A61M 16/1045 128/205.27
6,253,763	B1	7/2001	Pounders	
8,011,363	B2	9/2011	Johnson	
8,118,713	B2 *	2/2012	Foley	A63B 21/0085 482/13

**1 Claim, 4 Drawing Sheets**



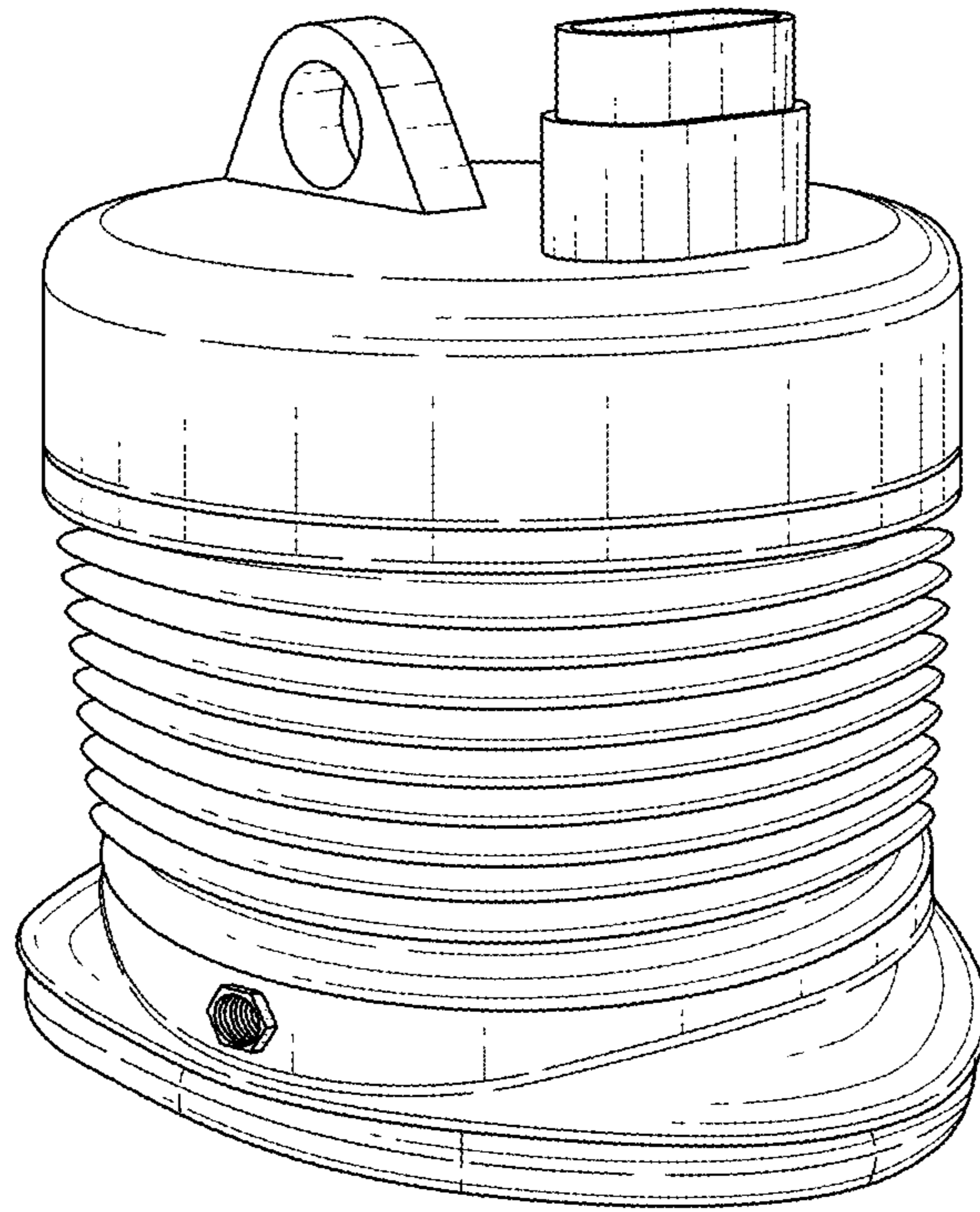


FIG. 1

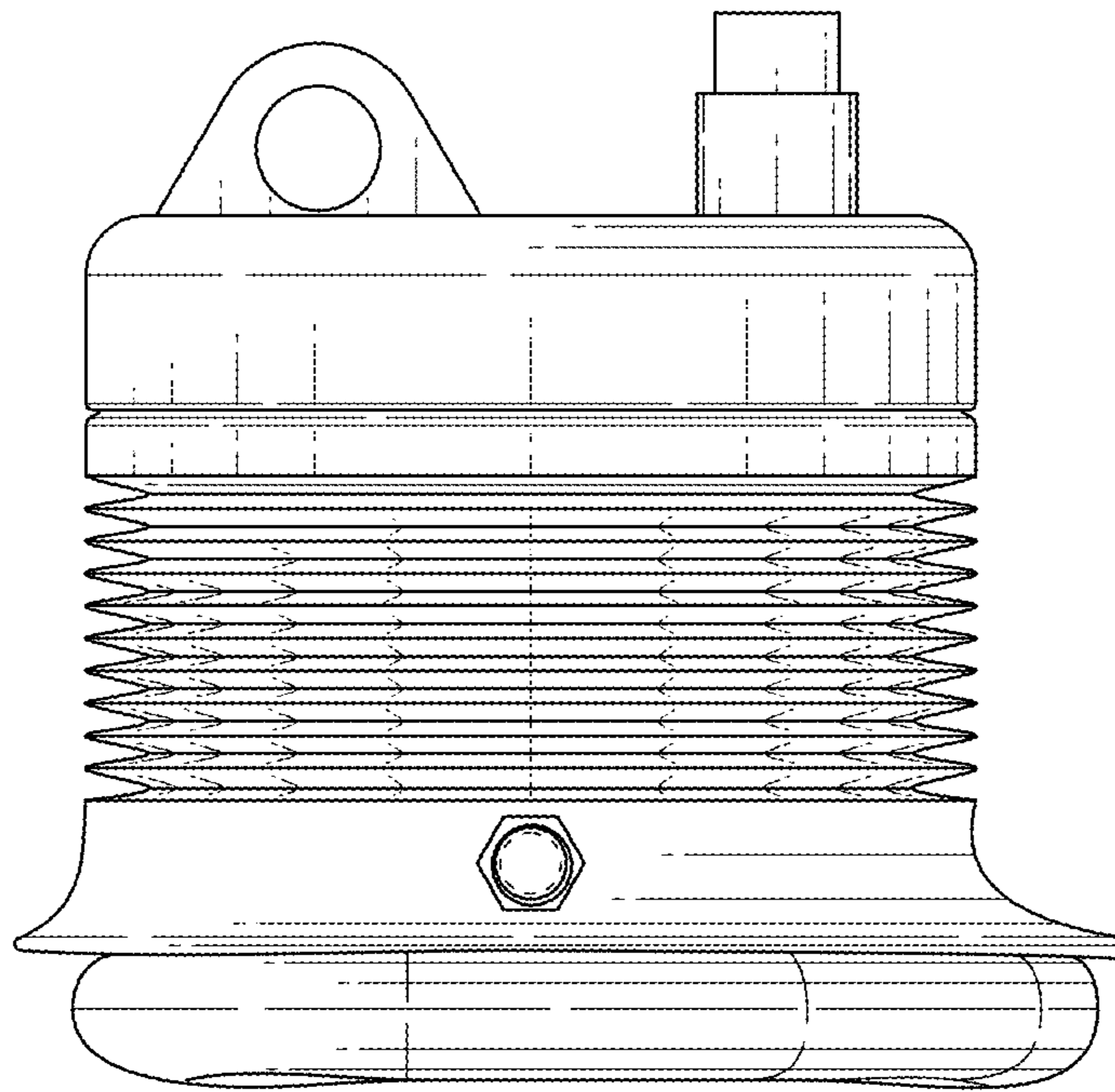


FIG. 2

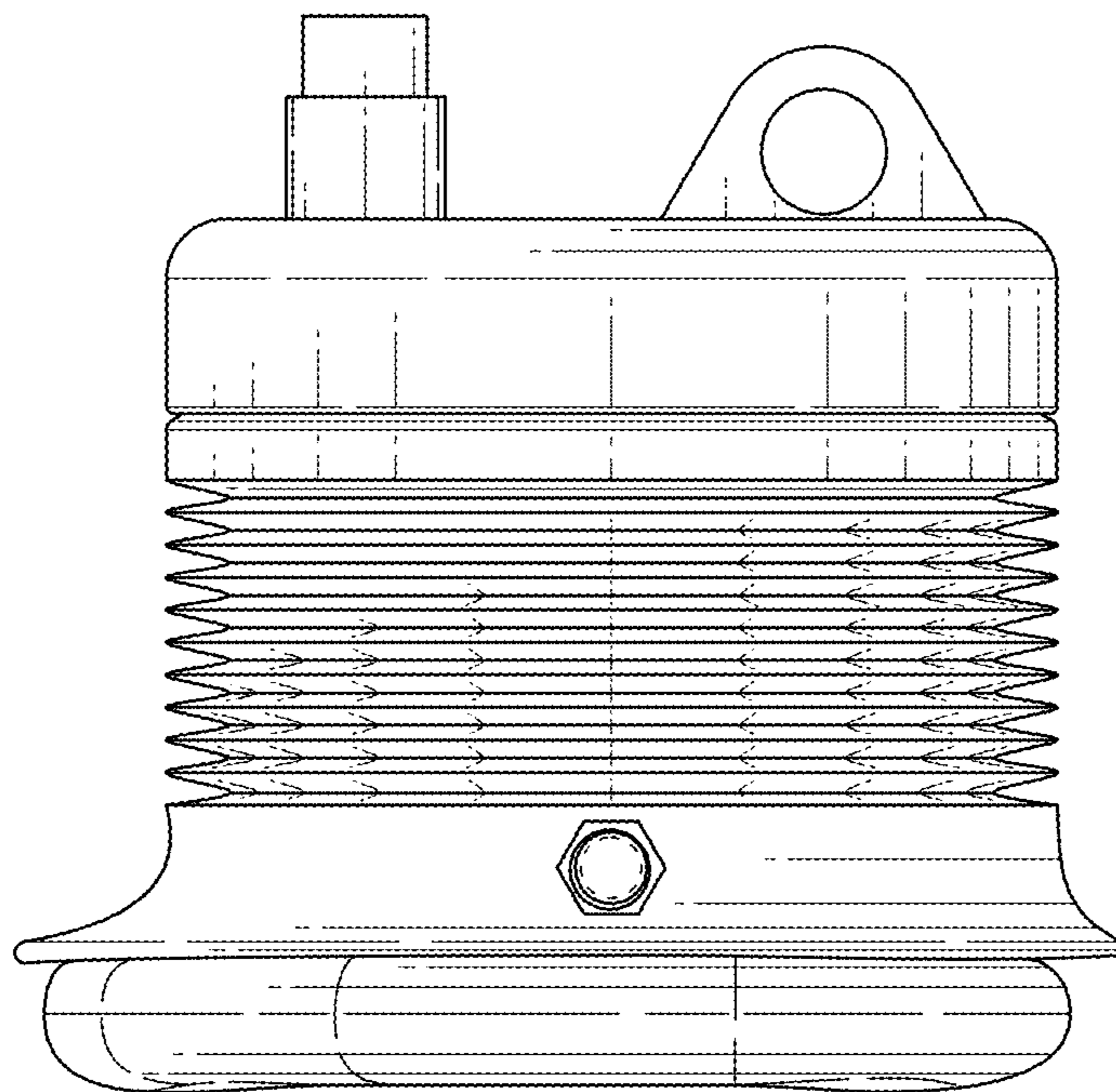


FIG. 3

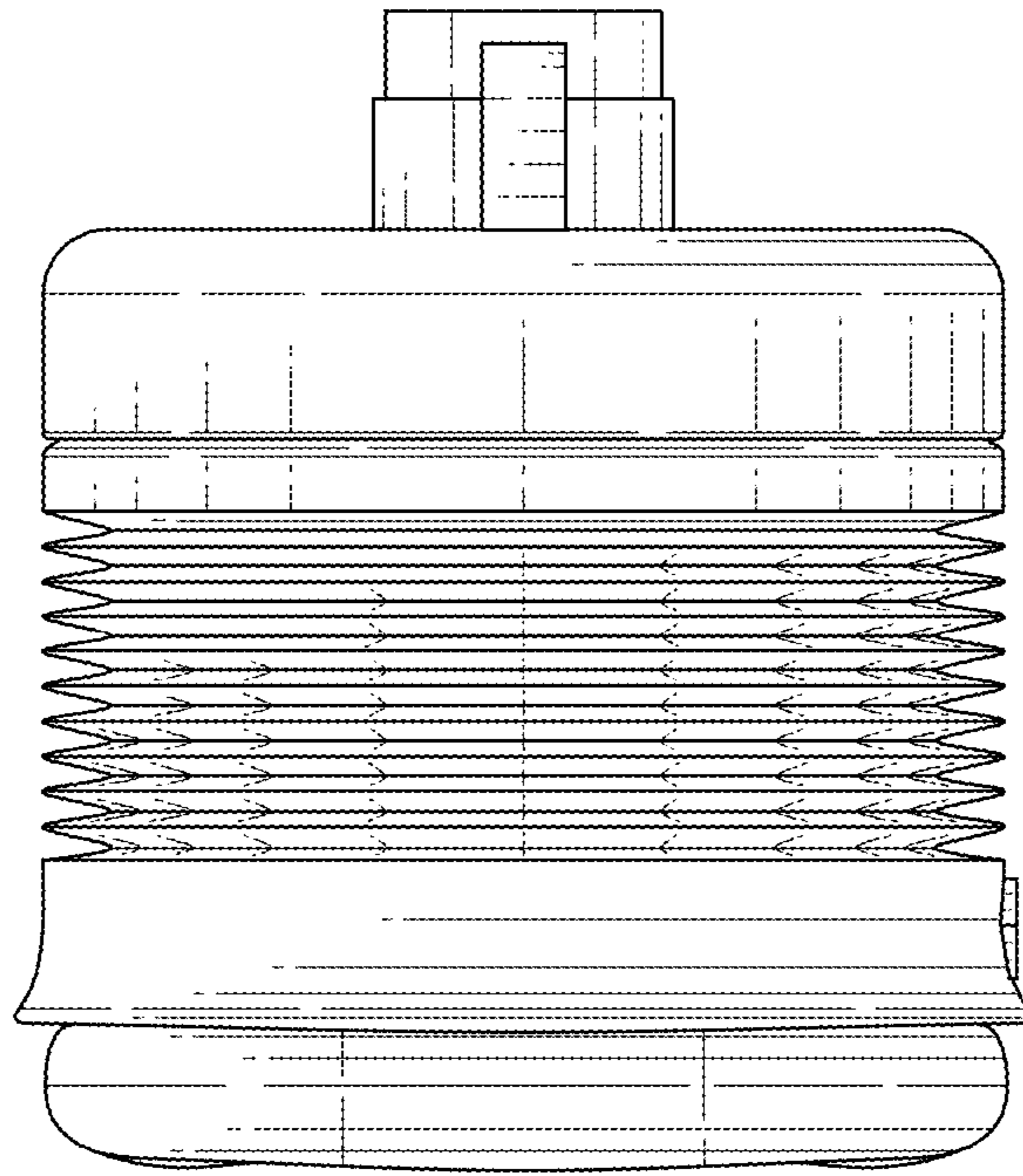


FIG. 4

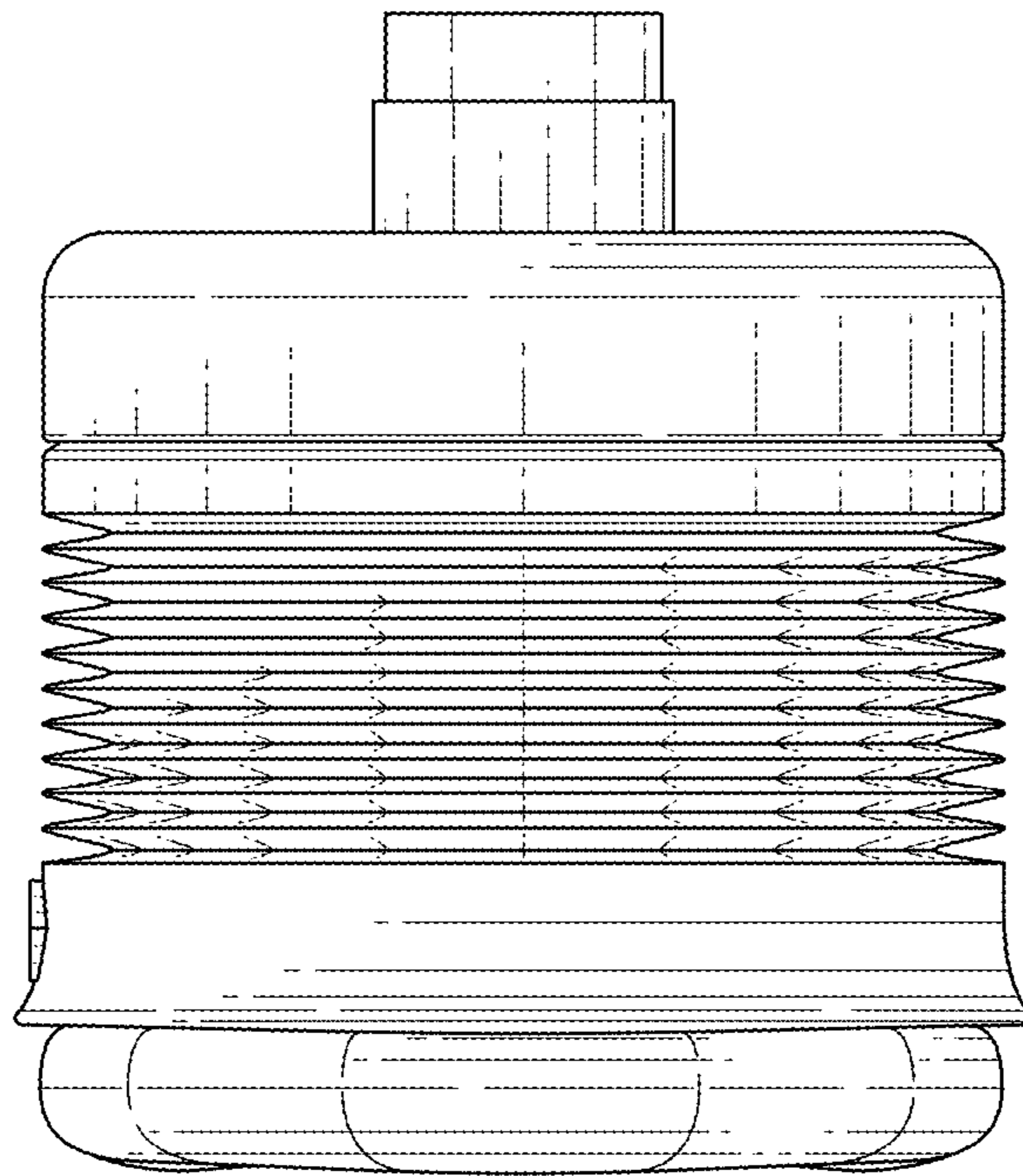


FIG. 5

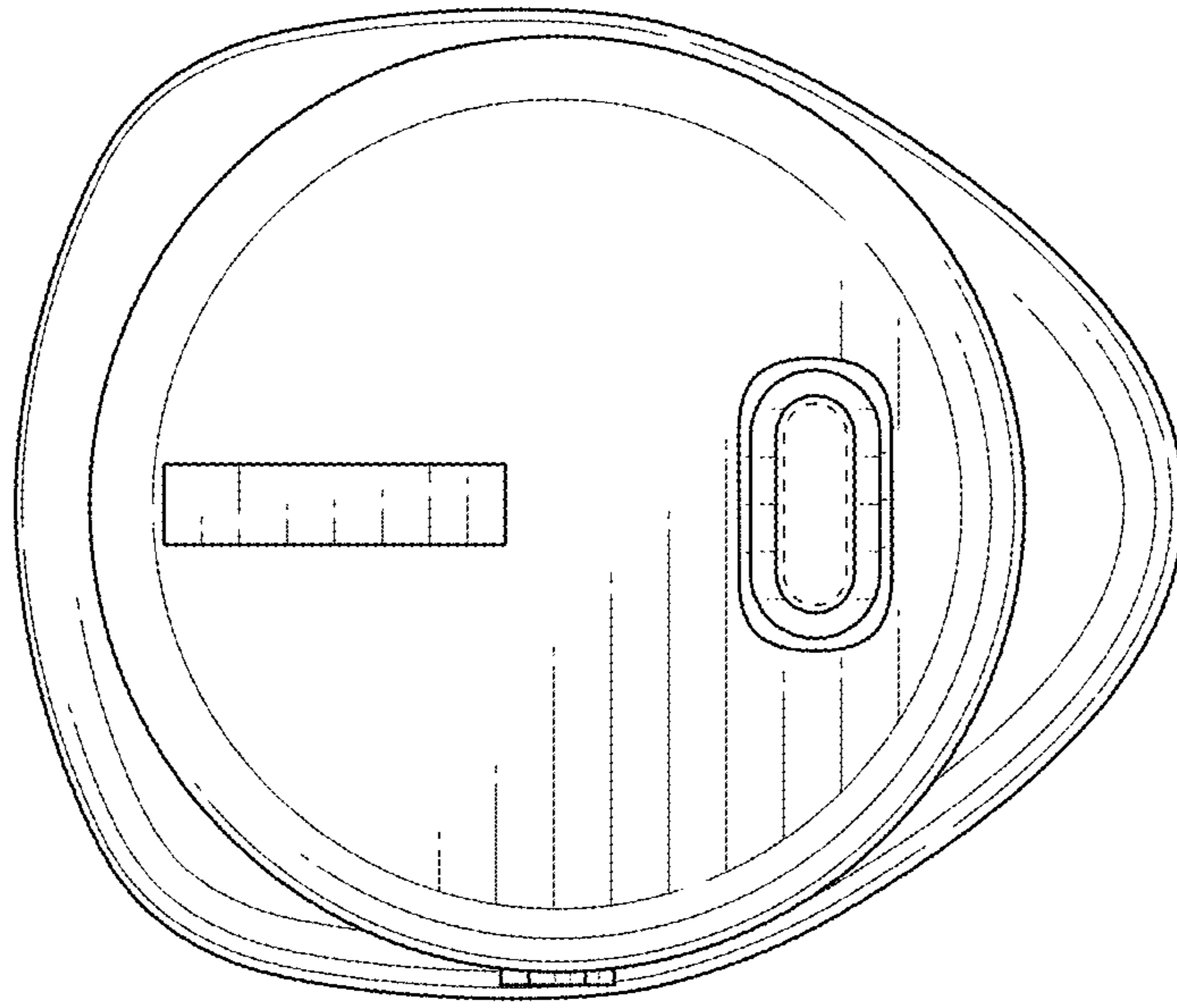


FIG. 6

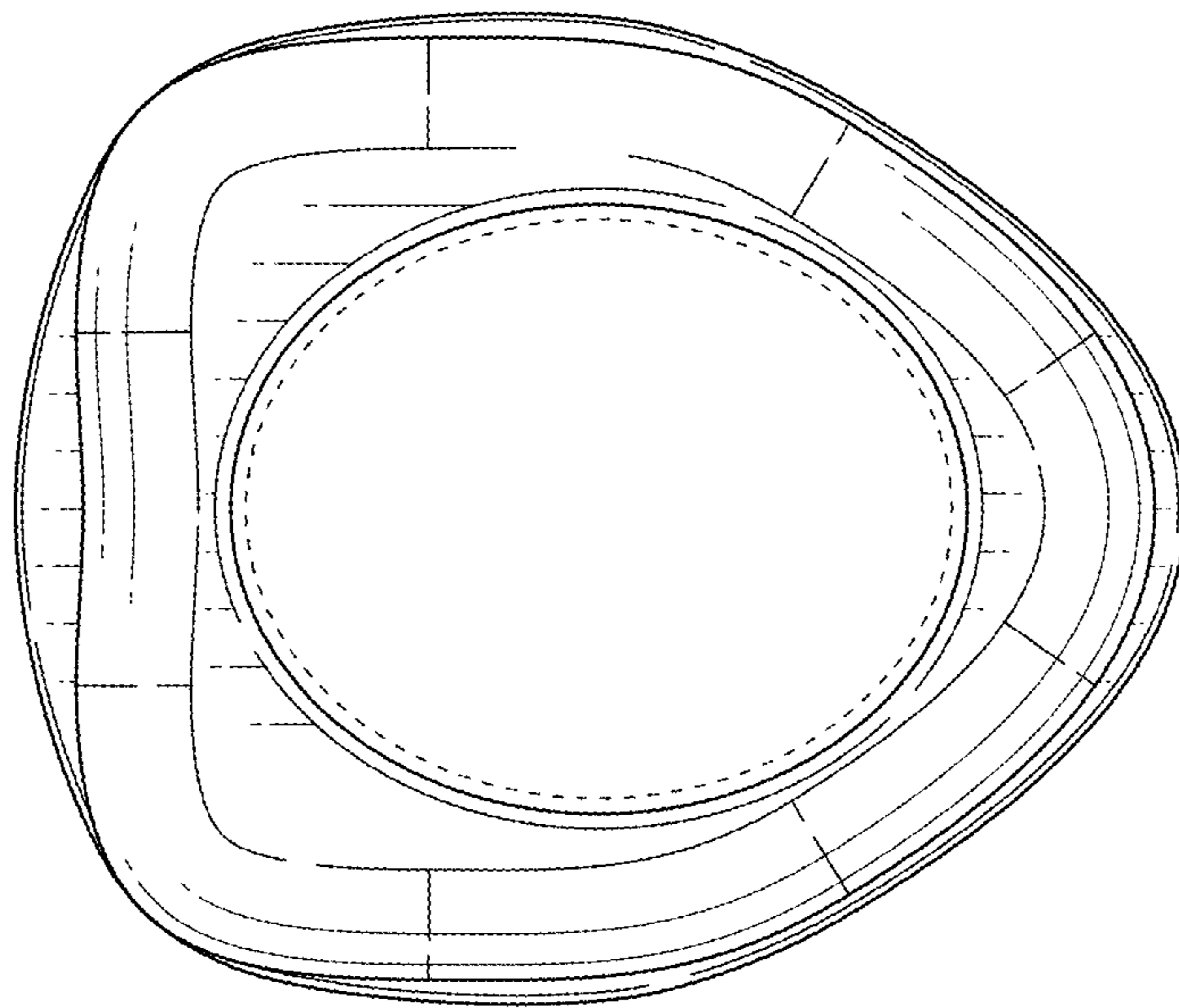


FIG. 7