



US00D958962S

(12) **United States Design Patent**
Yao

(10) **Patent No.:** **US D958,962 S**
(45) **Date of Patent:** **** Jul. 26, 2022**

(54) **HANGING PLATE OF CEILING FAN**
(71) Applicant: **Chao Chin Yao**, Taichung (TW)
(72) Inventor: **Chao Chin Yao**, Taichung (TW)
(**) Term: **15 Years**

(21) Appl. No.: **29/757,206**
(22) Filed: **Nov. 4, 2020**
(51) **LOC (13) Cl.** **23-03**
(52) **U.S. Cl.**
USPC **D23/411**
(58) **Field of Classification Search**
USPC D23/370, 377, 379, 385, 411-414, 386;
D26/59
CPC F04D 25/088; F04D 29/38; F04D 29/384;
F04D 29/386; F04D 29/646; F21V
33/0096
See application file for complete search history.

(56) **References Cited**
U.S. PATENT DOCUMENTS
D704,818 S * 5/2014 Allen D23/411
11,073,166 B2 * 7/2021 Gorali F04D 29/601
2006/0263224 A1 * 11/2006 Wang F04D 25/088
416/244 R
2008/0224013 A1 * 9/2008 Huang F04D 29/646
248/343
2009/0294620 A1 * 12/2009 Lin F04D 29/601
248/343

2010/0226784 A1 * 9/2010 Yao F04D 25/088
416/244 R
2011/0280734 A1 * 11/2011 Yao F04D 29/005
416/244 R
2014/0197165 A1 * 7/2014 Korcz H02G 3/10
220/3.9
2020/0362910 A1 * 11/2020 Zhang F16C 11/0695
2022/0145895 A1 * 5/2022 Yao F04D 25/0693

* cited by examiner

Primary Examiner — Sharon S Oum
(74) *Attorney, Agent, or Firm* — Bradley J. Thorson;
DeWitt LLP

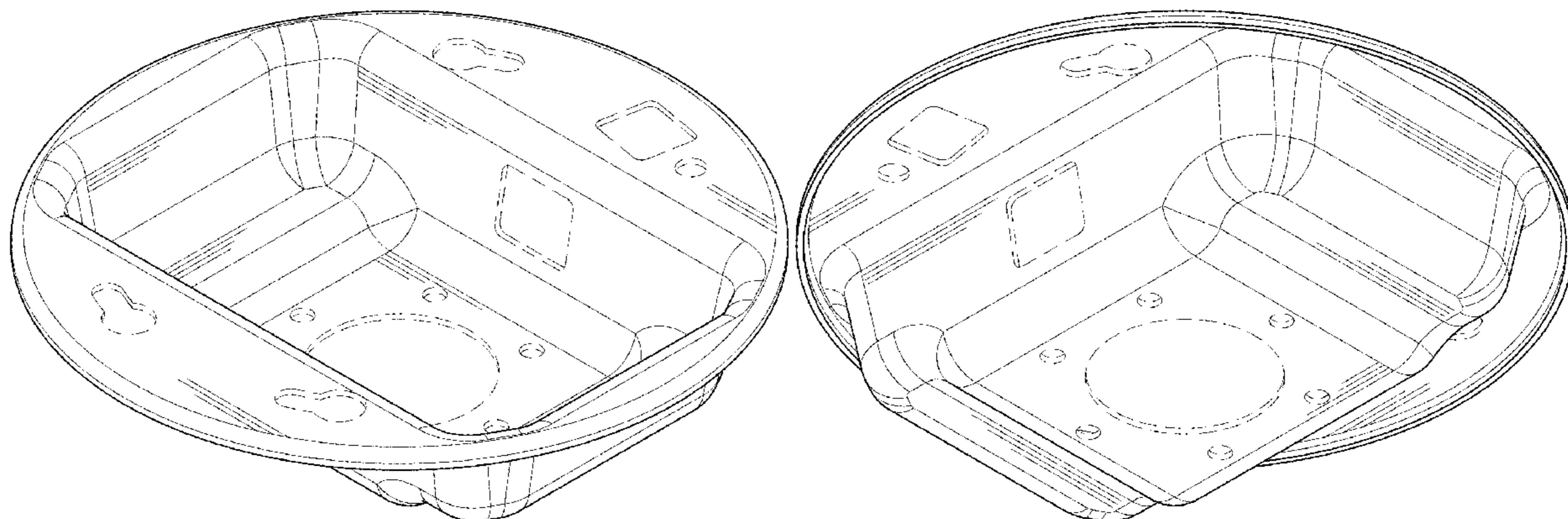
(57) **CLAIM**

The ornamental design for a hanging plate of ceiling fan, as shown and described.

DESCRIPTION

FIG. 1 is a perspective view of a hanging plate of ceiling fan showing my new design;
FIG. 2 is a front elevational view thereof;
FIG. 3 is a rear elevational view thereof;
FIG. 4 is a left side elevation view thereof;
FIG. 5 is a right side elevation view thereof;
FIG. 6 is a top plan view thereof;
FIG. 7 is a bottom plan view thereof; and,
FIG. 8 is another perspective view thereof.
The evenly-spaced broken lines illustrate portions of the hanging plate of ceiling fan that form no part of the claimed design.

1 Claim, 6 Drawing Sheets



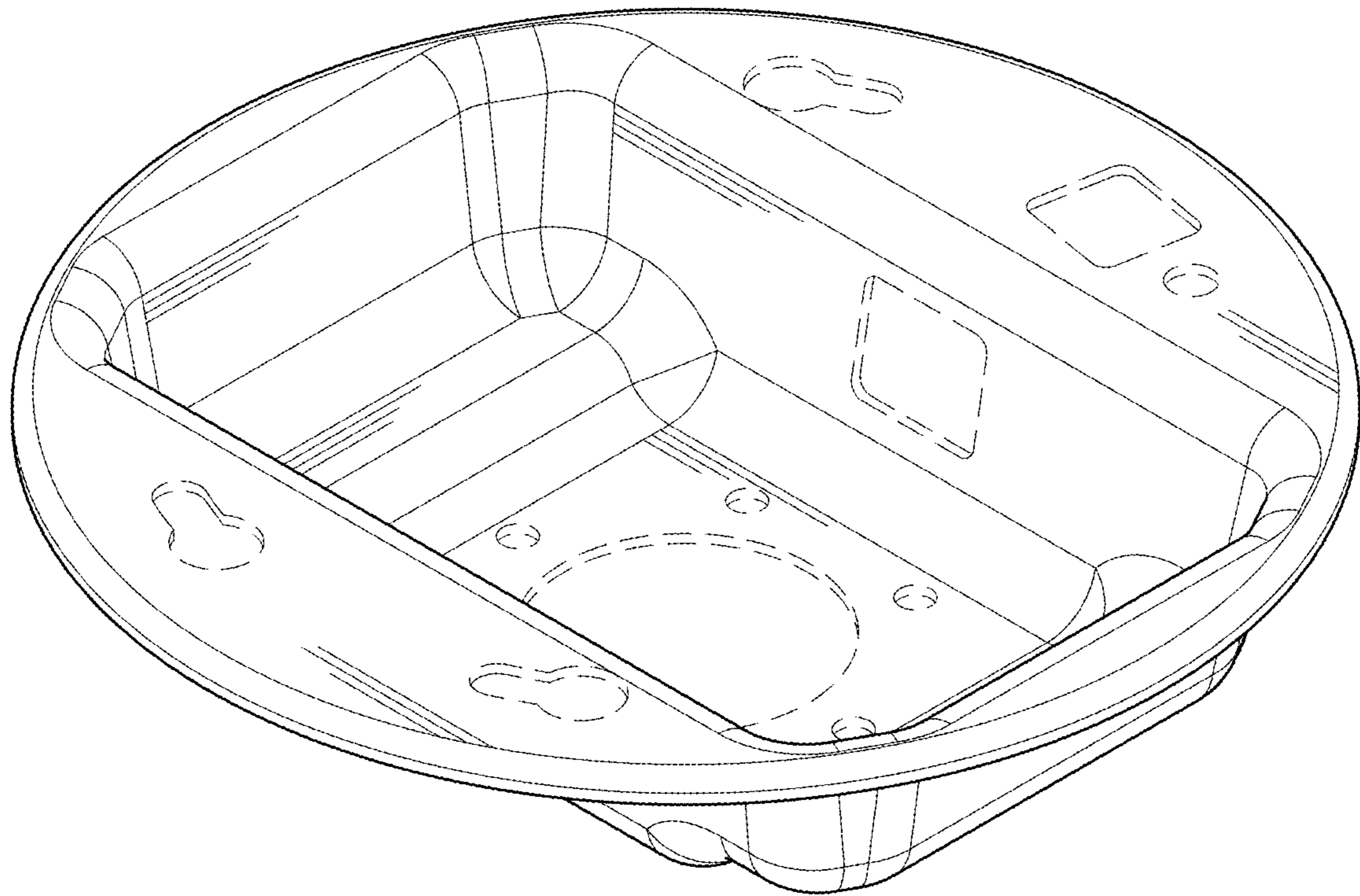


FIG. 1

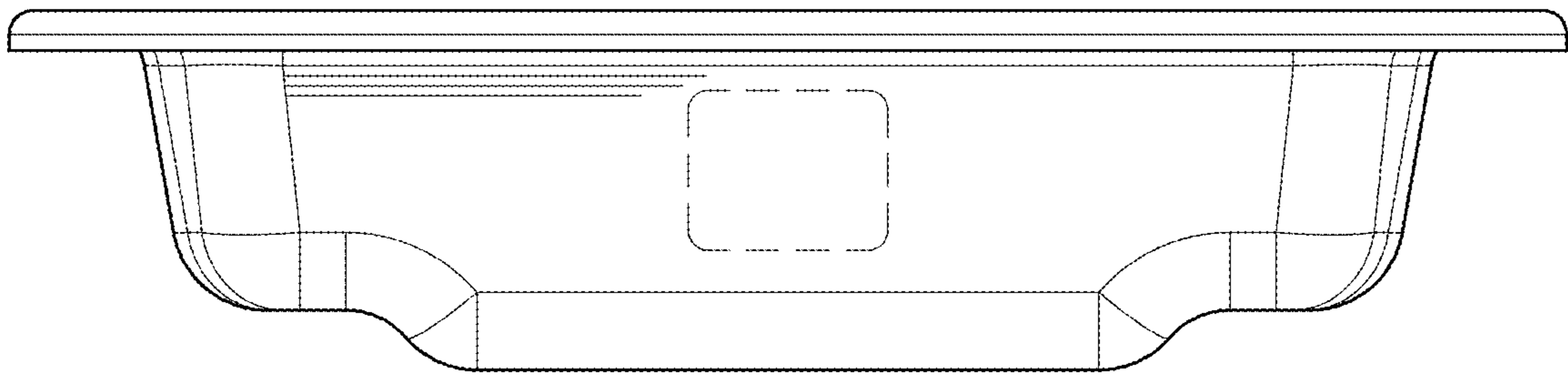


FIG. 2

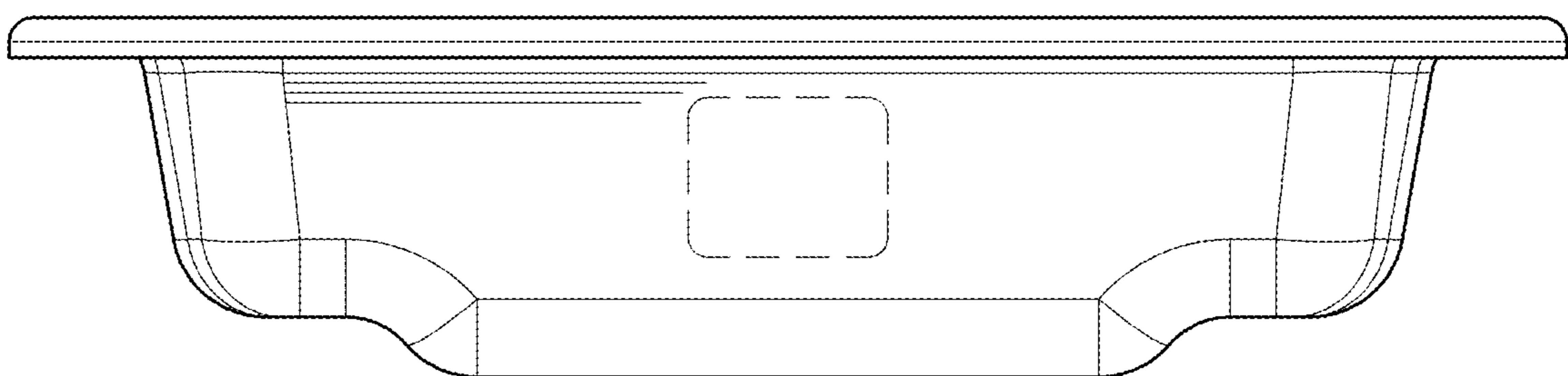


FIG. 3

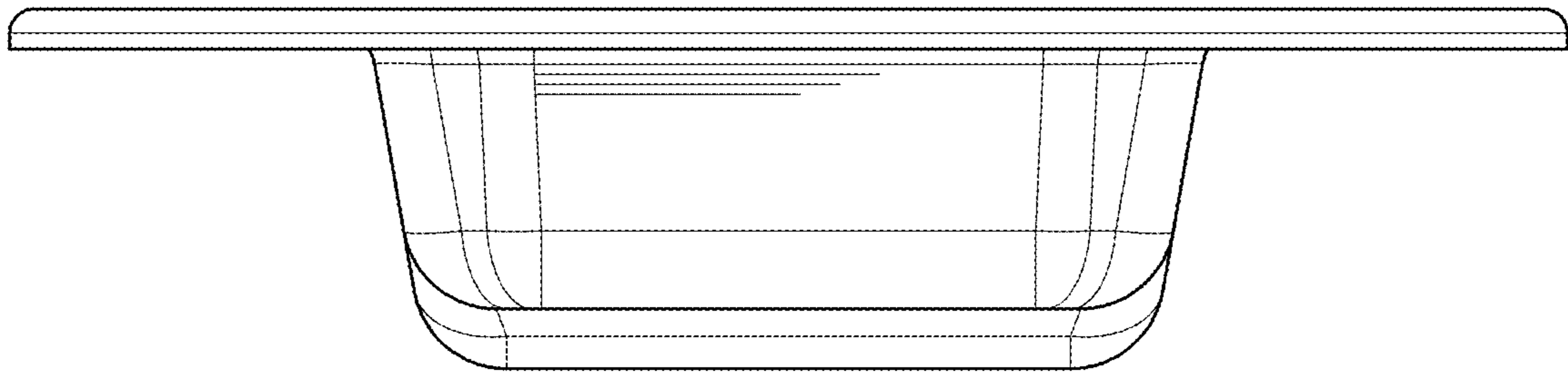


FIG. 4

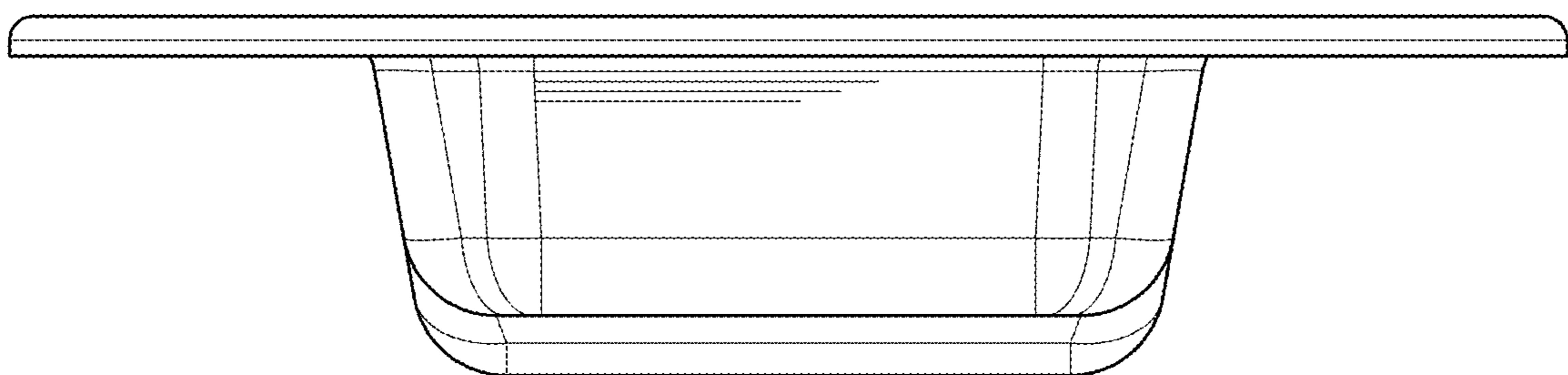


FIG. 5

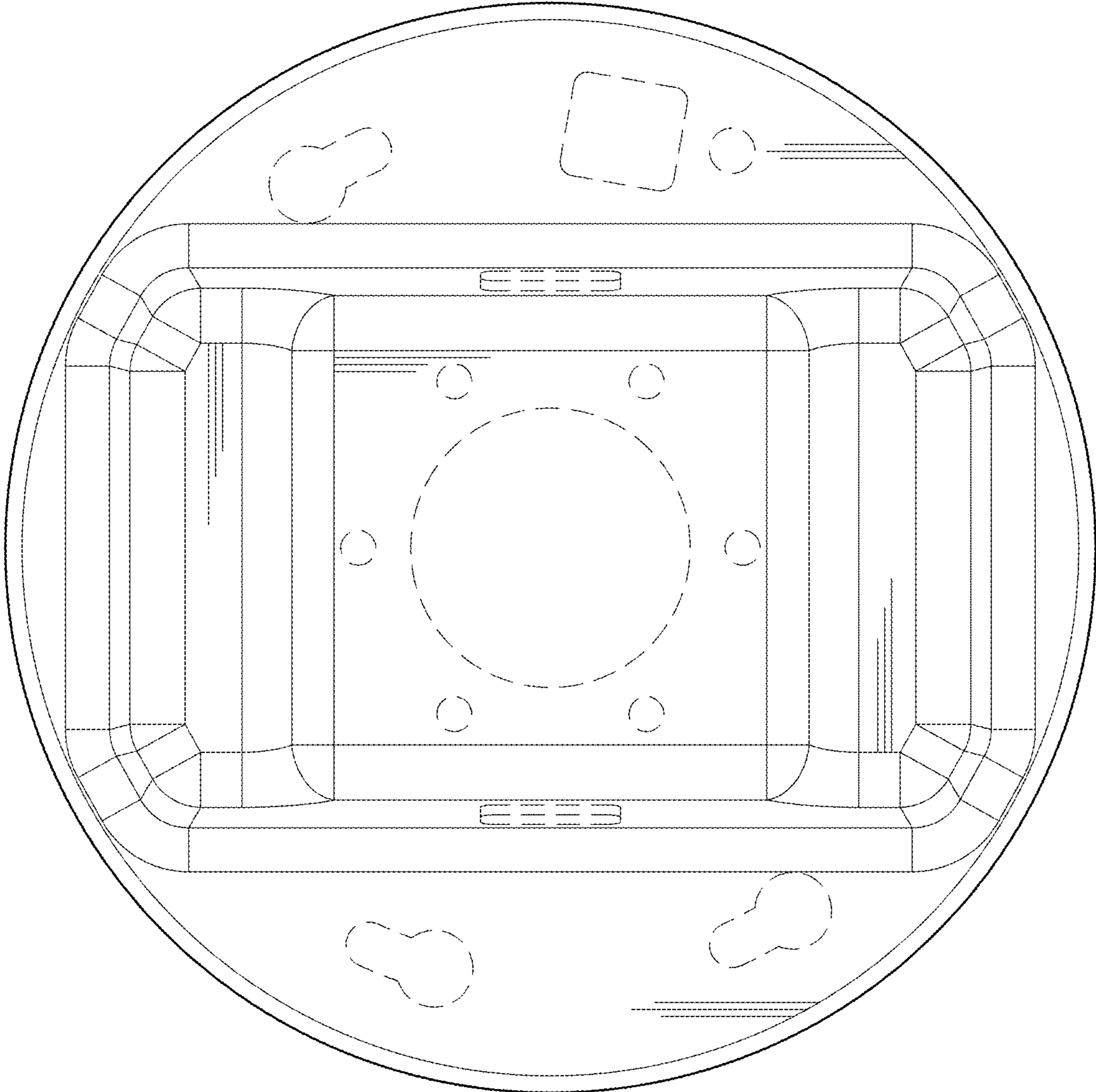


FIG. 6

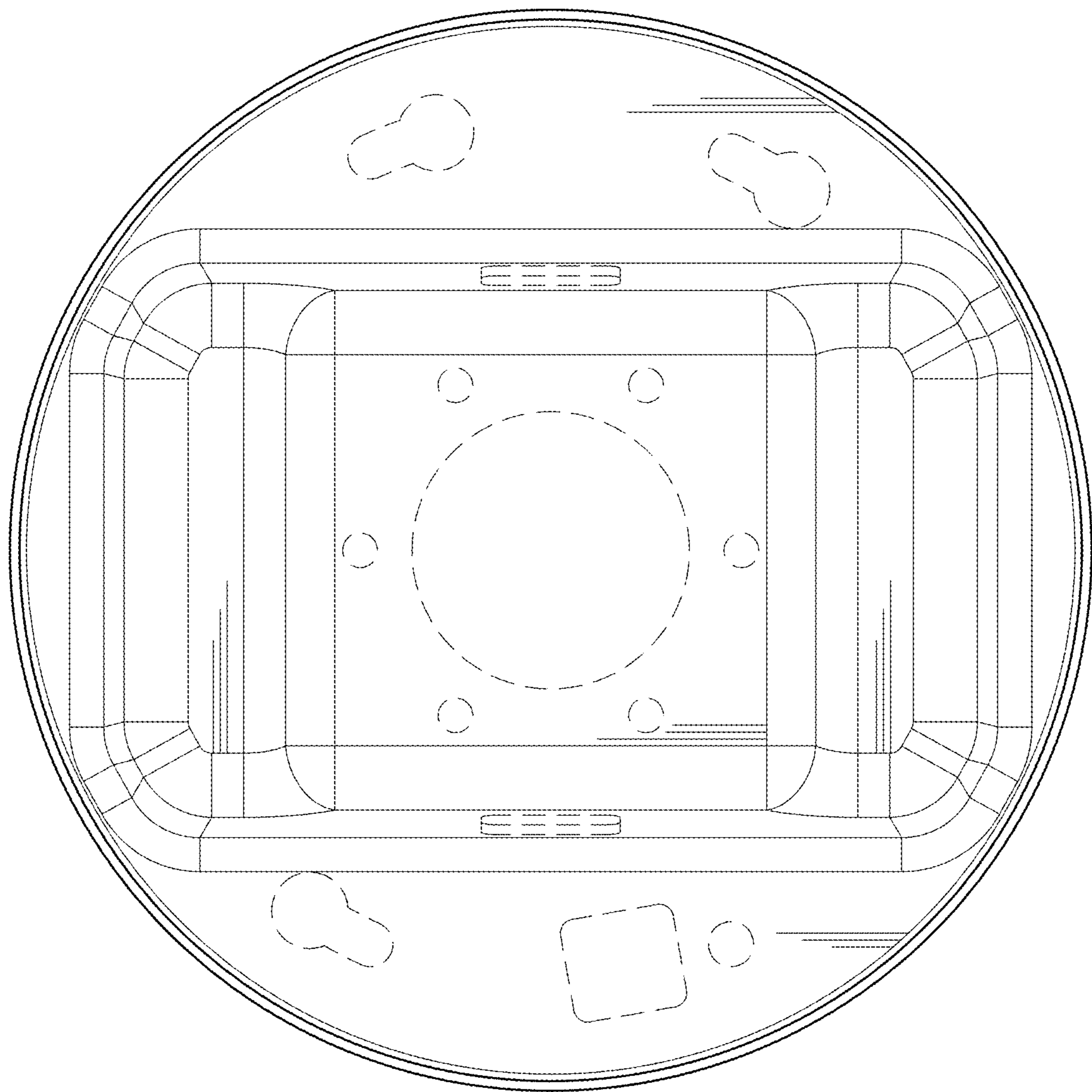


FIG. 7

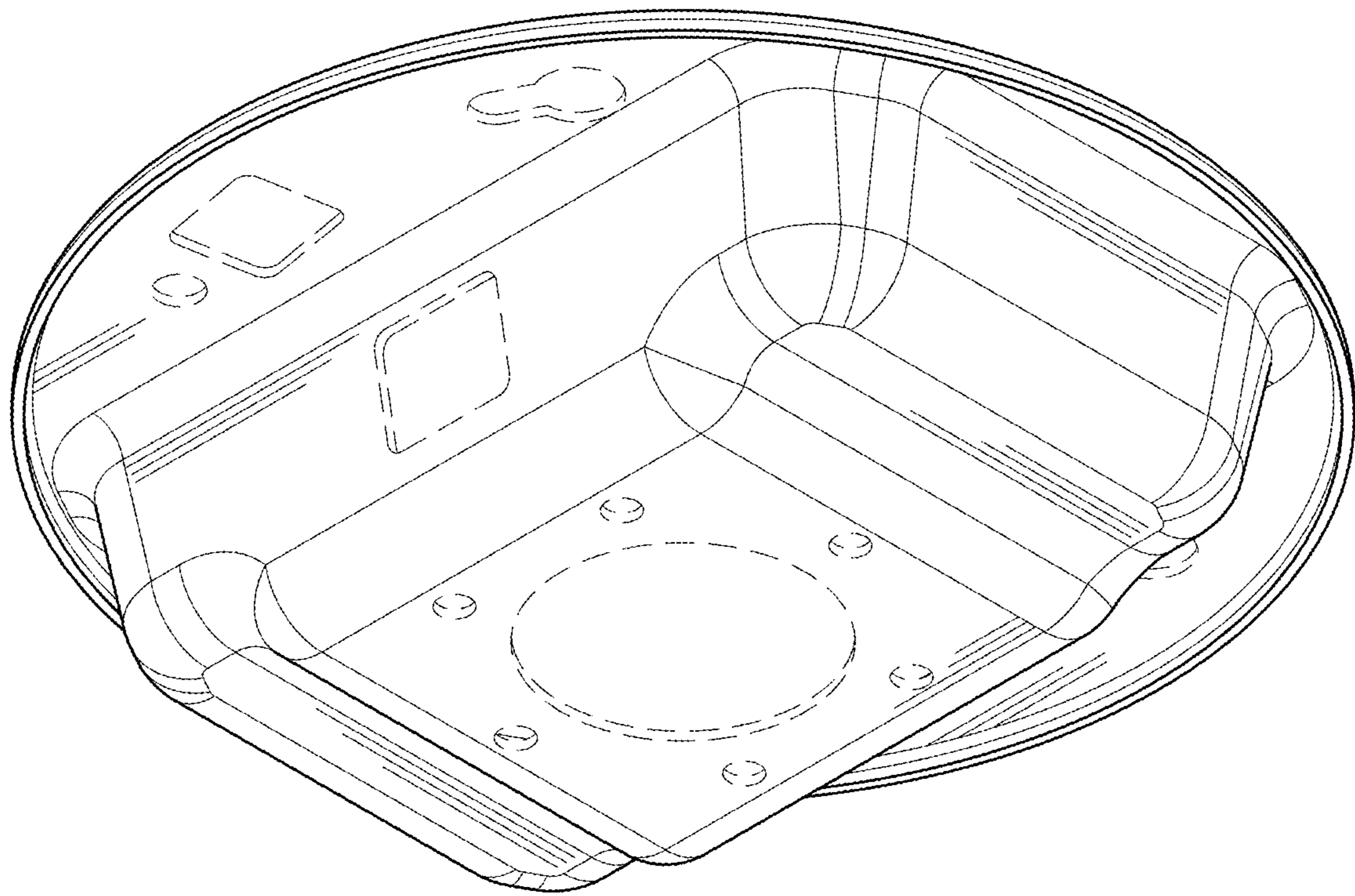


FIG. 8