



US00D958961S

(12) **United States Design Patent** (10) **Patent No.:** **US D958,961 S**
Hong (45) **Date of Patent:** **** Jul. 26, 2022**

(54) **FAN**
(71) Applicant: **MIDEA GROUP CO., LTD.**,
Guangdong (CN)
(72) Inventor: **Sizhan Hong**, Guangdong (CN)
(73) Assignee: **MIDEA GROUP CO., LTD.**,
Guangdong (CN)
(**) Term: **15 Years**
(21) Appl. No.: **35/511,217**
(22) Filed: **Nov. 3, 2020**
(80) **Hague Agreement Data**
Int. Filing Date: **Nov. 3, 2020**
Int. Reg. No.: **DM/212266**
Int. Reg. Date: **Nov. 3, 2020**
Int. Reg. Pub. Date: **Jan. 29, 2021**

(30) **Foreign Application Priority Data**
Jul. 17, 2020 (CN) 202030394245.3
(51) **LOC (13) Cl.** **23-04**
(52) **U.S. Cl.**
USPC **D23/378**
(58) **Field of Classification Search**
USPC D23/370-385, 411-414; D13/179
CPC F04D 25/088; F04D 25/06; F04D 29/38;
F04D 29/522; F04D 29/5853; F04D
29/326; F01P 5/02
See application file for complete search history.

(56) **References Cited**
U.S. PATENT DOCUMENTS

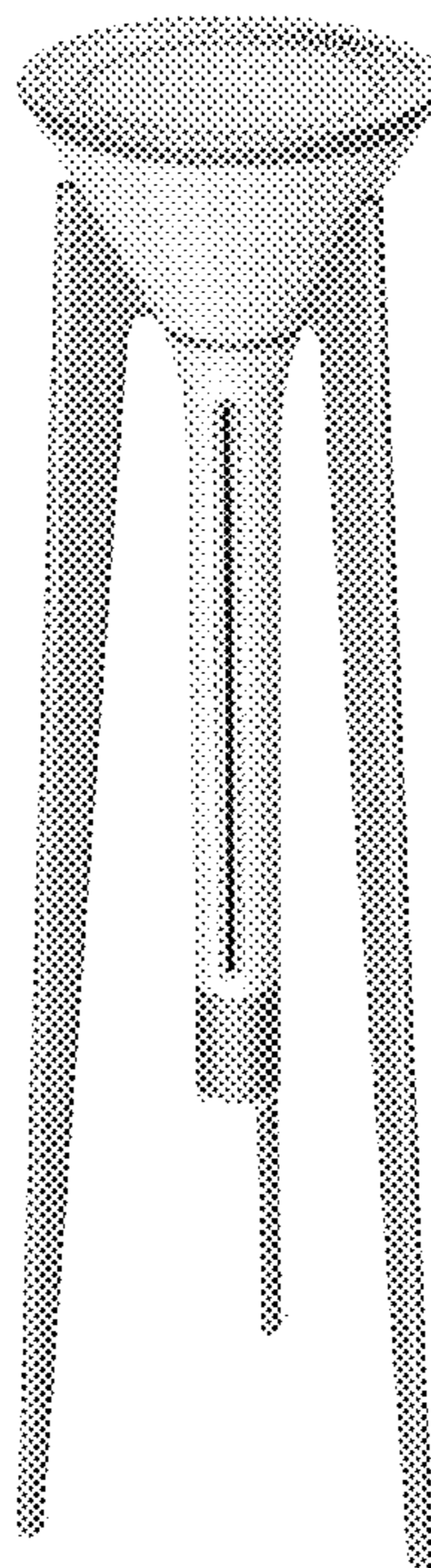
D146,785 S *	5/1947	Billings, Jr.	D16/244
D310,426 S *	9/1990	Rook	D26/138
D570,618 S *	6/2008	Tai	D14/229
D593,815 S *	6/2009	Sforza Fogliani	D7/642
D739,456 S *	9/2015	Poli	D16/244
D744,630 S *	12/2015	Ying	D23/378
D799,014 S *	10/2017	Suarez	D23/332
D802,732 S *	11/2017	Kim	D23/378
D803,381 S *	11/2017	Kim	D23/378
D840,465 S *	2/2019	Chun	D16/244
D883,466 S *	5/2020	Ying	D23/378
D885,365 S *	5/2020	Yanjie	D14/216
D918,286 S *	5/2021	Lin	D16/244
D920,421 S *	5/2021	Li	D16/244
D923,166 S *	6/2021	Zhao	D23/370
D929,024 S *	8/2021	Xiao	D16/244
D930,734 S *	9/2021	Li	D16/244
D944,883 S *	3/2022	Li	D16/244

* cited by examiner
Primary Examiner — Natasha Vujcic

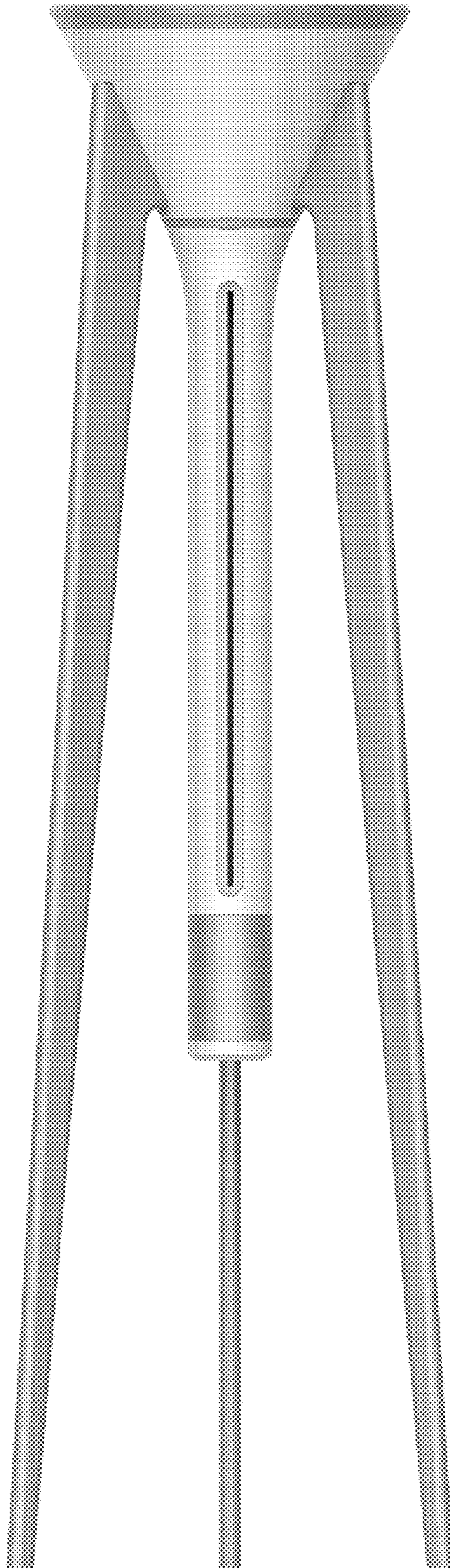
(57) **CLAIM**
The ornamental design for a fan, as shown and described.

DESCRIPTION
1. Fan
1.1 : Front
1.2 : Back
1.3 : Left
1.4 : Right
1.5 : Top
1.6 : Bottom
1.7 : Perspective

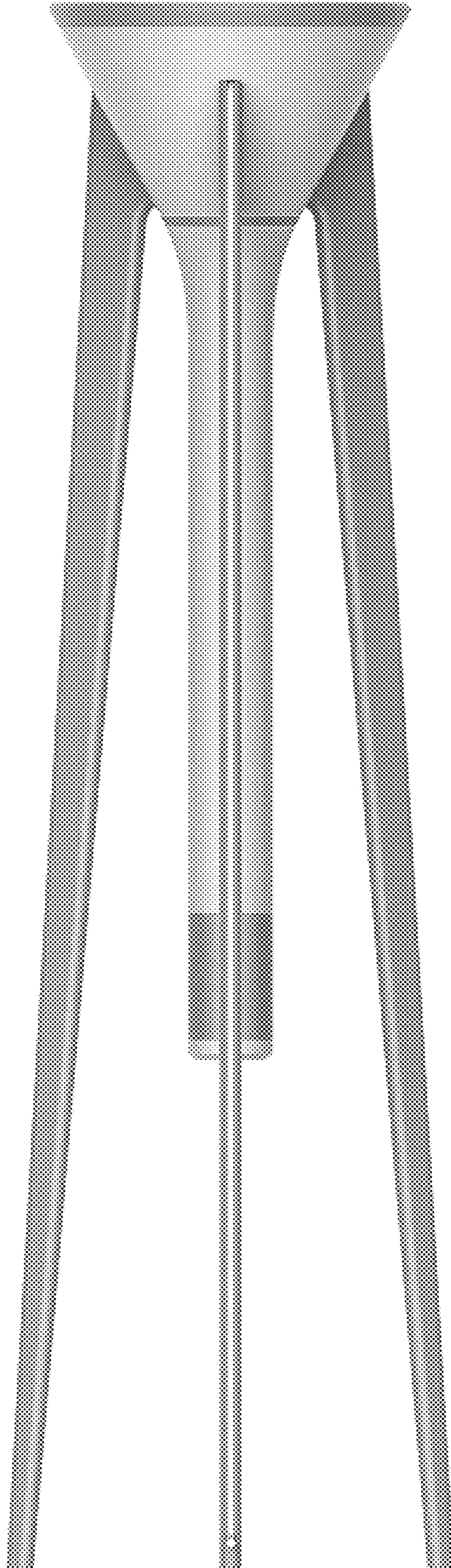
1 Claim, 7 Drawing Sheets



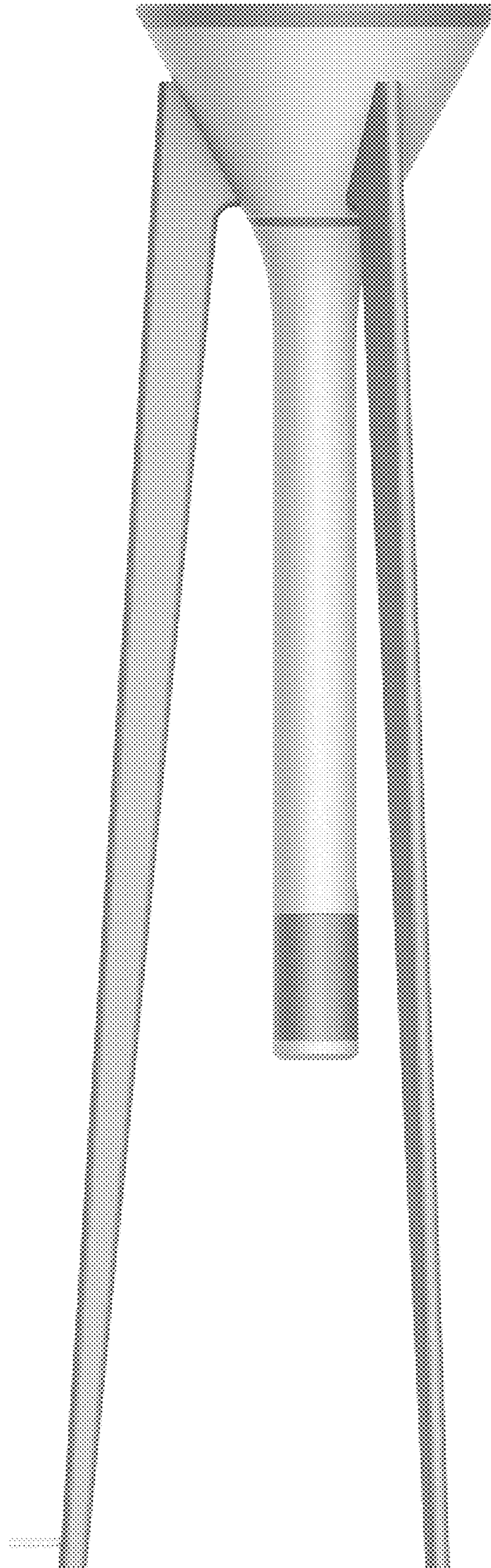
1.1



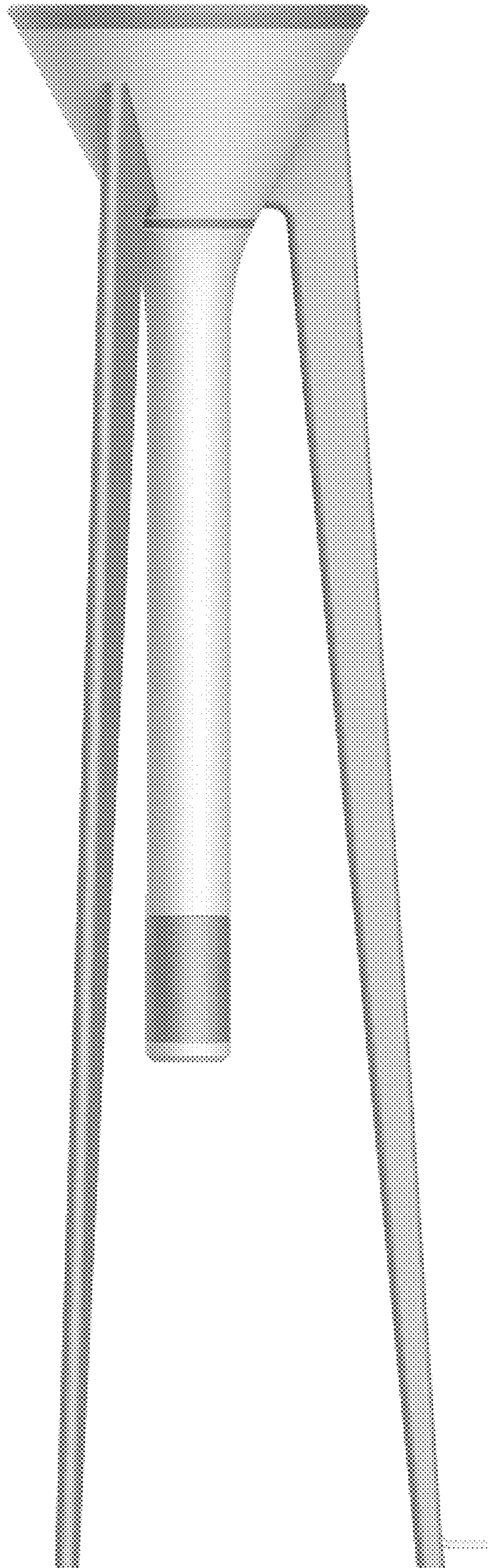
1.2



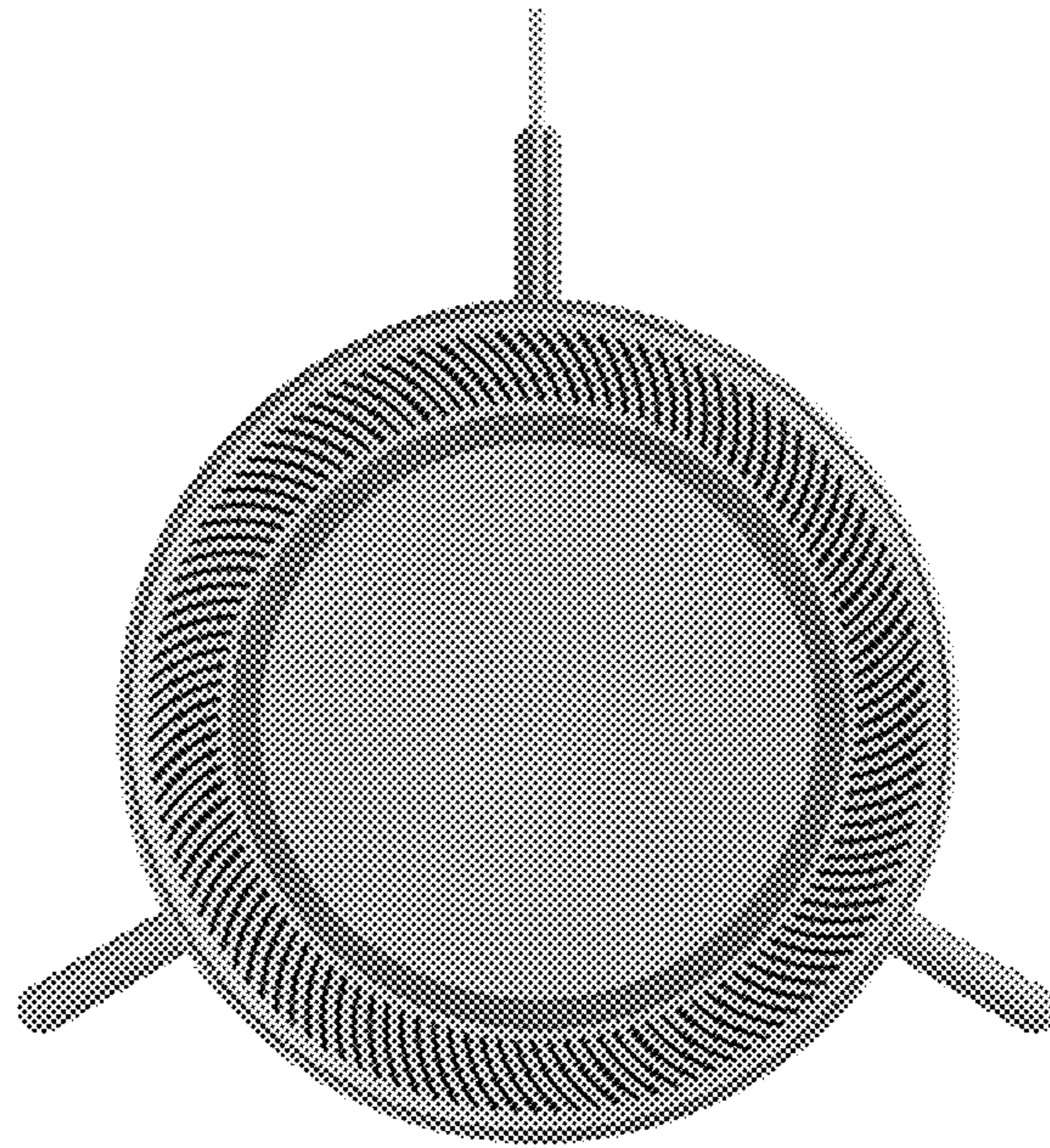
1.3



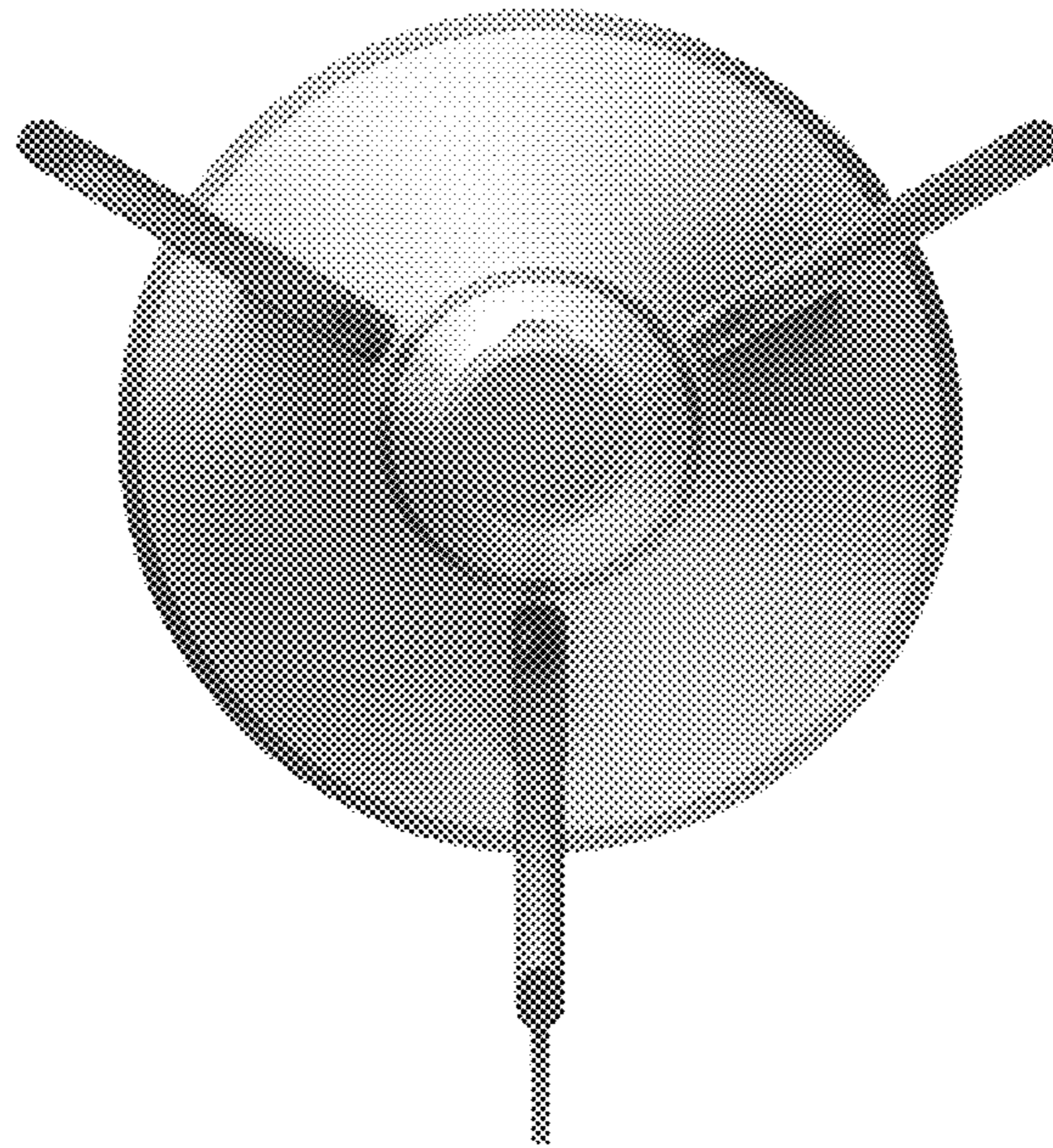
1.4



1.5



1.6



1.7

