



US00D958959S

(12) **United States Design Patent**
Kim

(10) **Patent No.:** **US D958,959 S**

(45) **Date of Patent:** **** Jul. 26, 2022**

(54) **ELECTRIC FAN**

(71) Applicant: **MYUNGSUNG INC.**, Dong-gu (KR)

(72) Inventor: **Myeong Yong Kim**, Daegu (KR)

(**) Term: **15 Years**

(21) Appl. No.: **29/734,028**

(22) Filed: **May 8, 2020**

(30) **Foreign Application Priority Data**

Nov. 11, 2019 (KR) 30-2019-0053755

(51) **LOC (13) Cl.** **23-04**

(52) **U.S. Cl.**

USPC **D23/370**; D23/382

(58) **Field of Classification Search**

USPC D23/200, 223, 228, 314, 328, 332, 333,
D23/335, 336, 337, 351, 355, 356, 370,
D23/371, 378-380, 381, 382, 383,
D23/411-412, 364-365

CPC F04D 25/0673; F04D 25/08; F04D 25/084;
F04D 29/4226

See application file for complete search history.

(56) **References Cited**

U.S. PATENT DOCUMENTS

2,768,782	A *	10/1956	Tateishi	F04D 25/10 417/361
D218,310	S *	8/1970	Rosenberg	D23/365
D274,462	S *	6/1984	Rakocy	D23/365
D346,017	S *	4/1994	Lim	D23/332
D354,558	S *	1/1995	Marvin	D23/332
D545,950	S *	7/2007	Ching	D23/335
D586,491	S *	2/2009	Levine	D26/63
D672,024	S *	12/2012	Fitton	D23/370
D678,993	S *	3/2013	Kung-Hua	D23/370
D725,764	S *	3/2015	Bisla	D23/370

D729,373	S *	5/2015	Dos Reis	D23/370
9,091,452	B2 *	7/2015	Yen	F04D 19/002
D779,647	S *	2/2017	Burton	D23/370
D807,483	S	1/2018	Combs et al.		
D859,627	S *	9/2019	Ying	D23/370
D875,235	S *	2/2020	Coleman	D23/382
D919,072	S *	5/2021	Aoki	D23/365
2004/0025697	A1 *	2/2004	Endo	F24F 8/10 96/222

FOREIGN PATENT DOCUMENTS

KR 30-0903662 4/2017

OTHER PUBLICATIONS

English Specification of 30-0903662.

* cited by examiner

Primary Examiner — Sharon S Oum

(74) *Attorney, Agent, or Firm* — Antonio Ha & U.S. Patent, LLC

(57) **CLAIM**

The ornamental design for an electric fan, as shown and described.

DESCRIPTION

FIG. 1 is a top, front and left side perspective view of the design;

FIG. 2 is a front elevational view thereof;

FIG. 3 is a back elevational view thereof;

FIG. 4 is a left side elevational view thereof;

FIG. 5 is a right side elevational view thereof;

FIG. 6 is a top plan view thereof; and,

FIG. 7 is a bottom plan view thereof.

The broken lines illustrate portions of the electric fan that form no part of the claimed design.

1 Claim, 7 Drawing Sheets

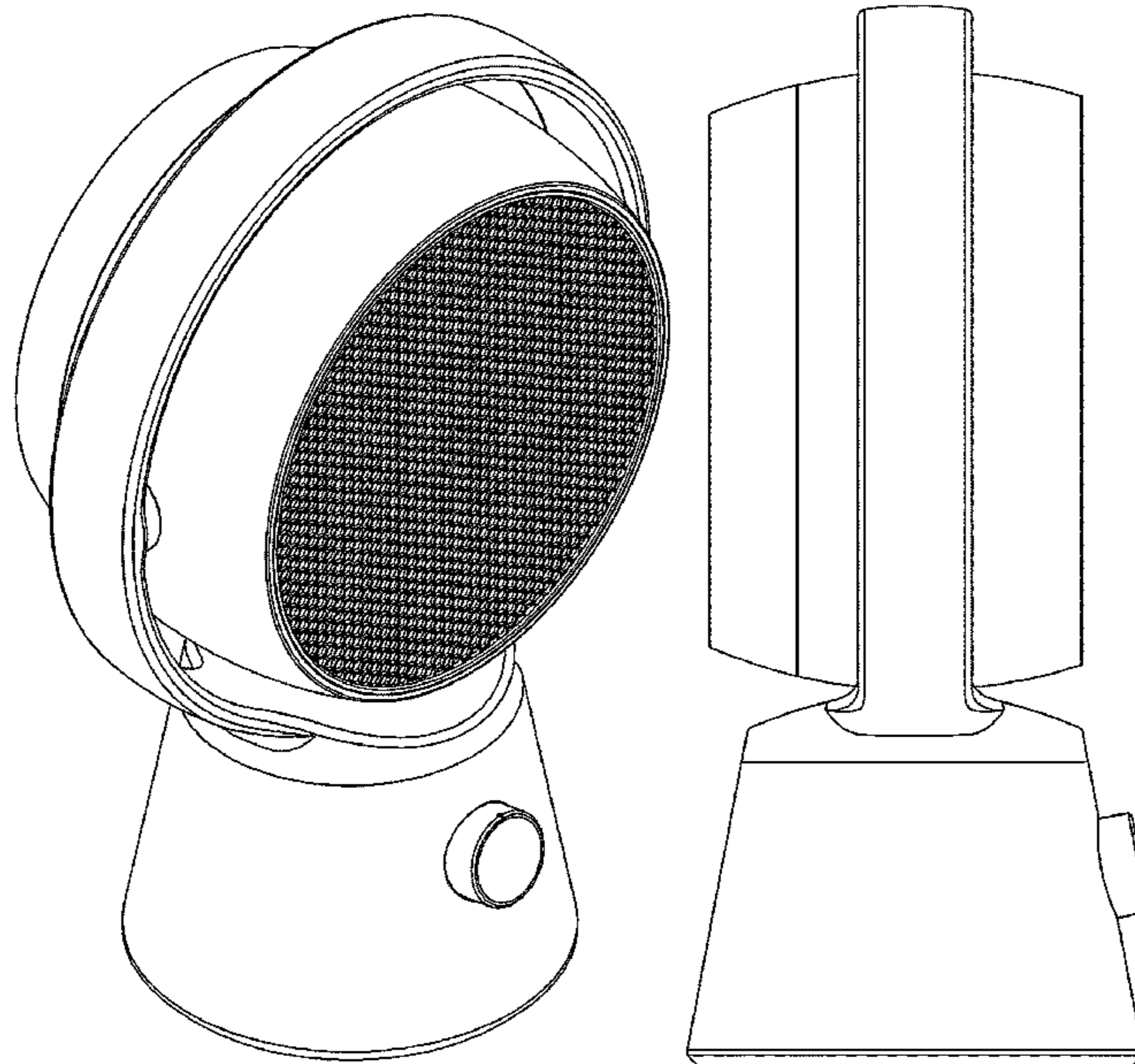


Fig. 1

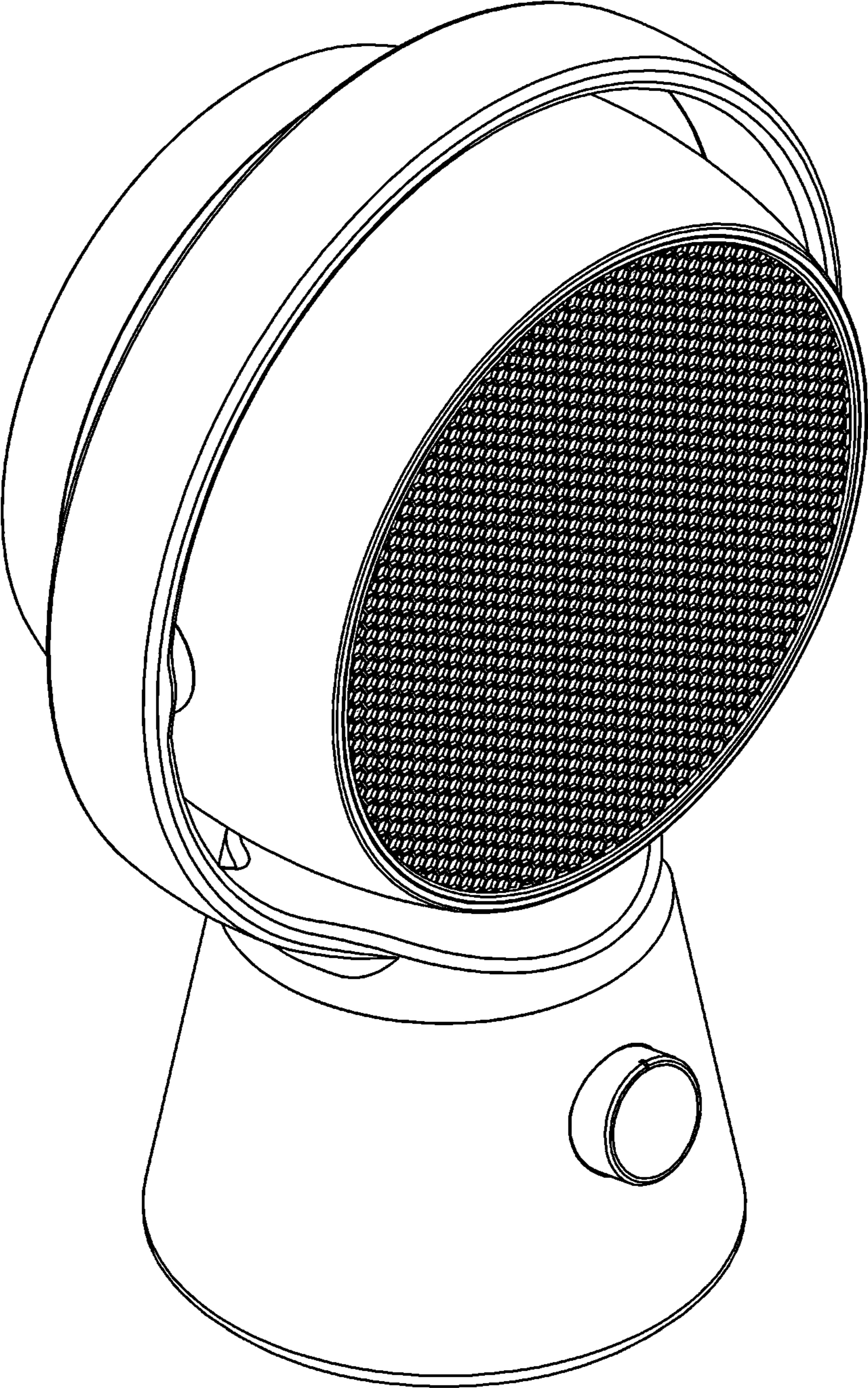


Fig. 2

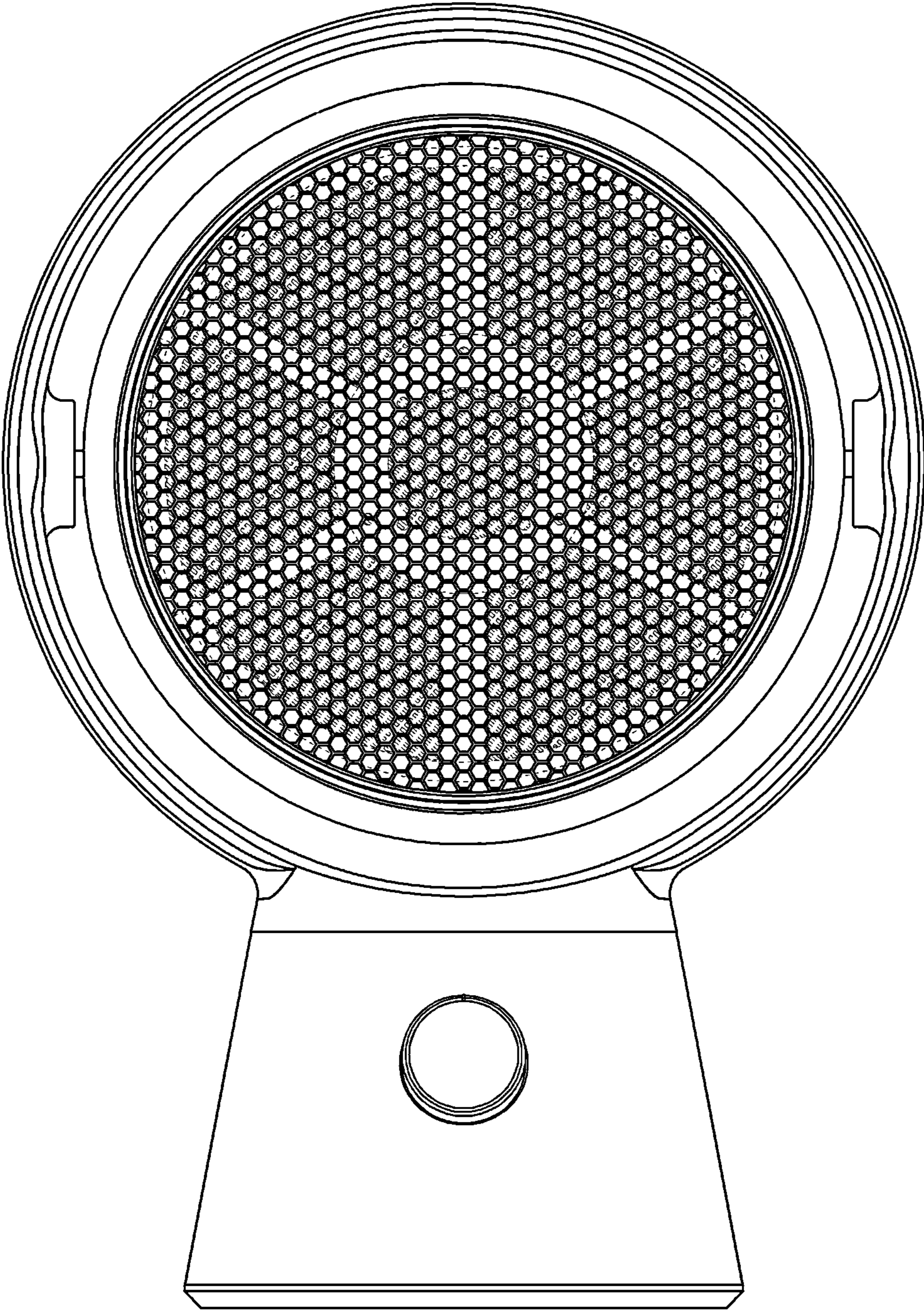


Fig. 3

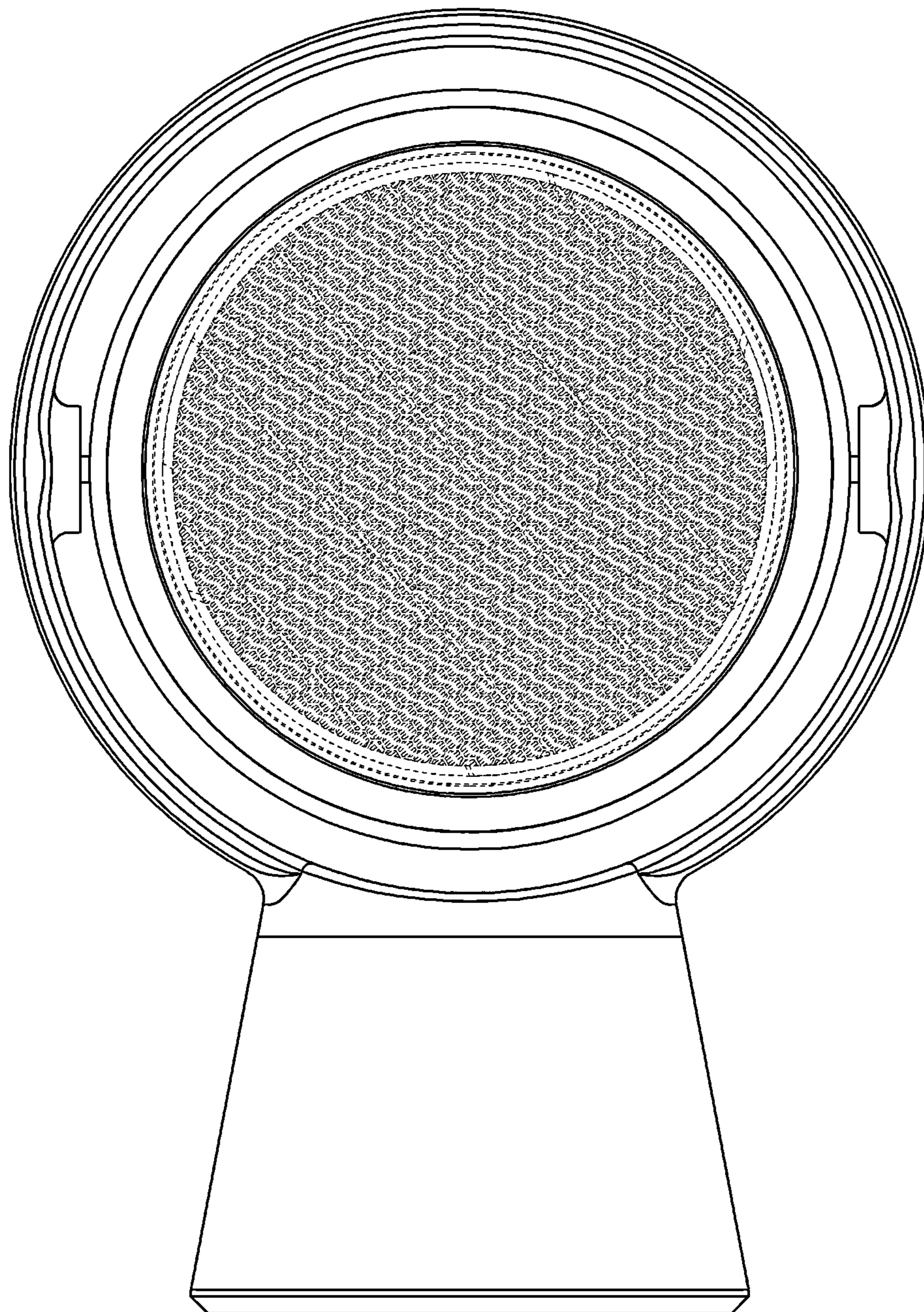


Fig. 4

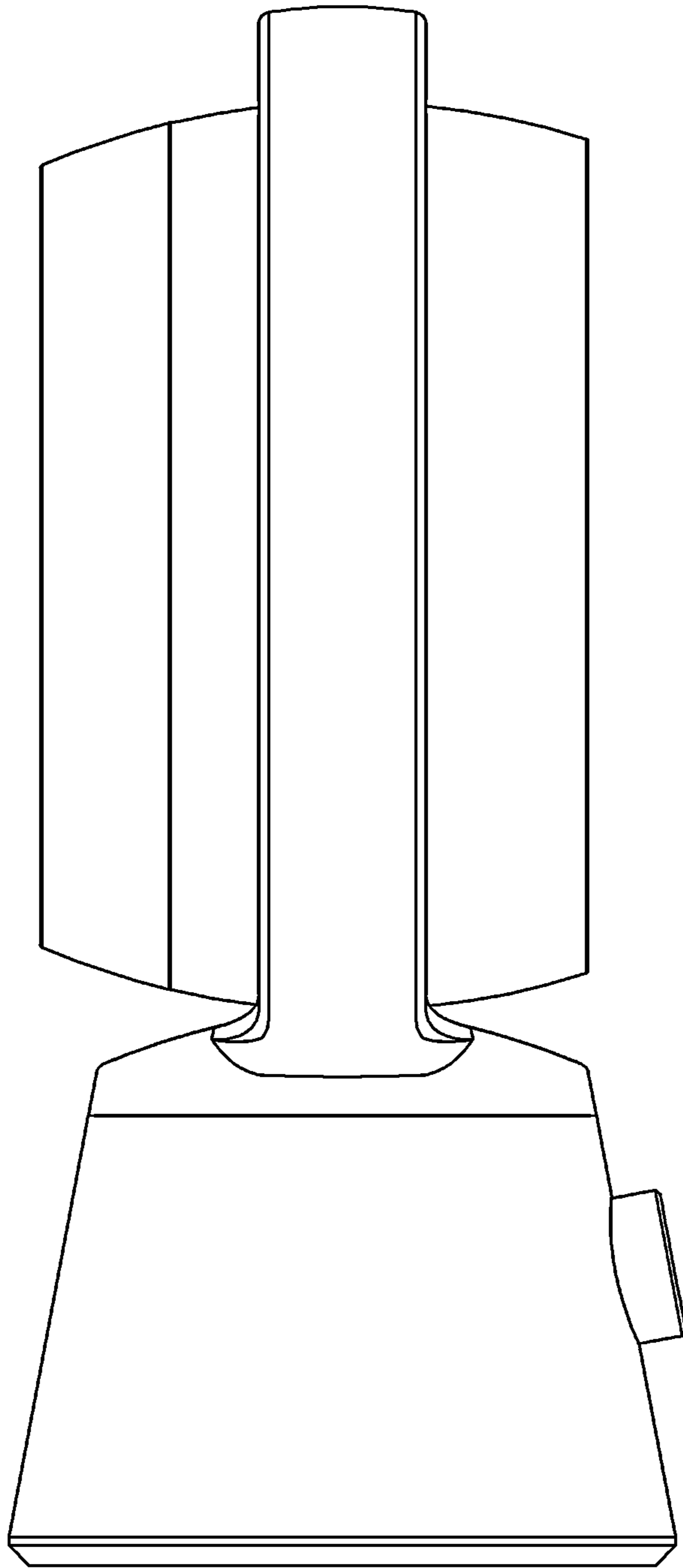


Fig. 5

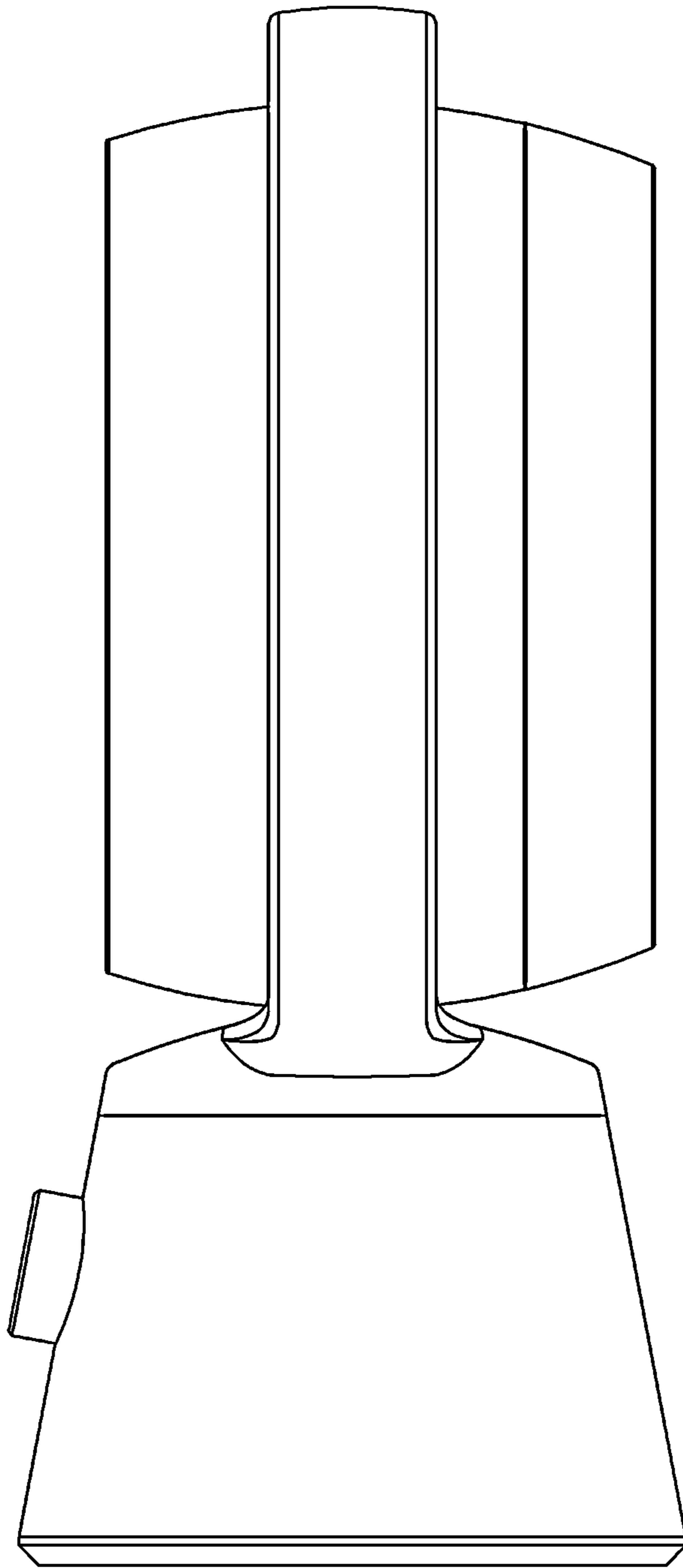


Fig. 6

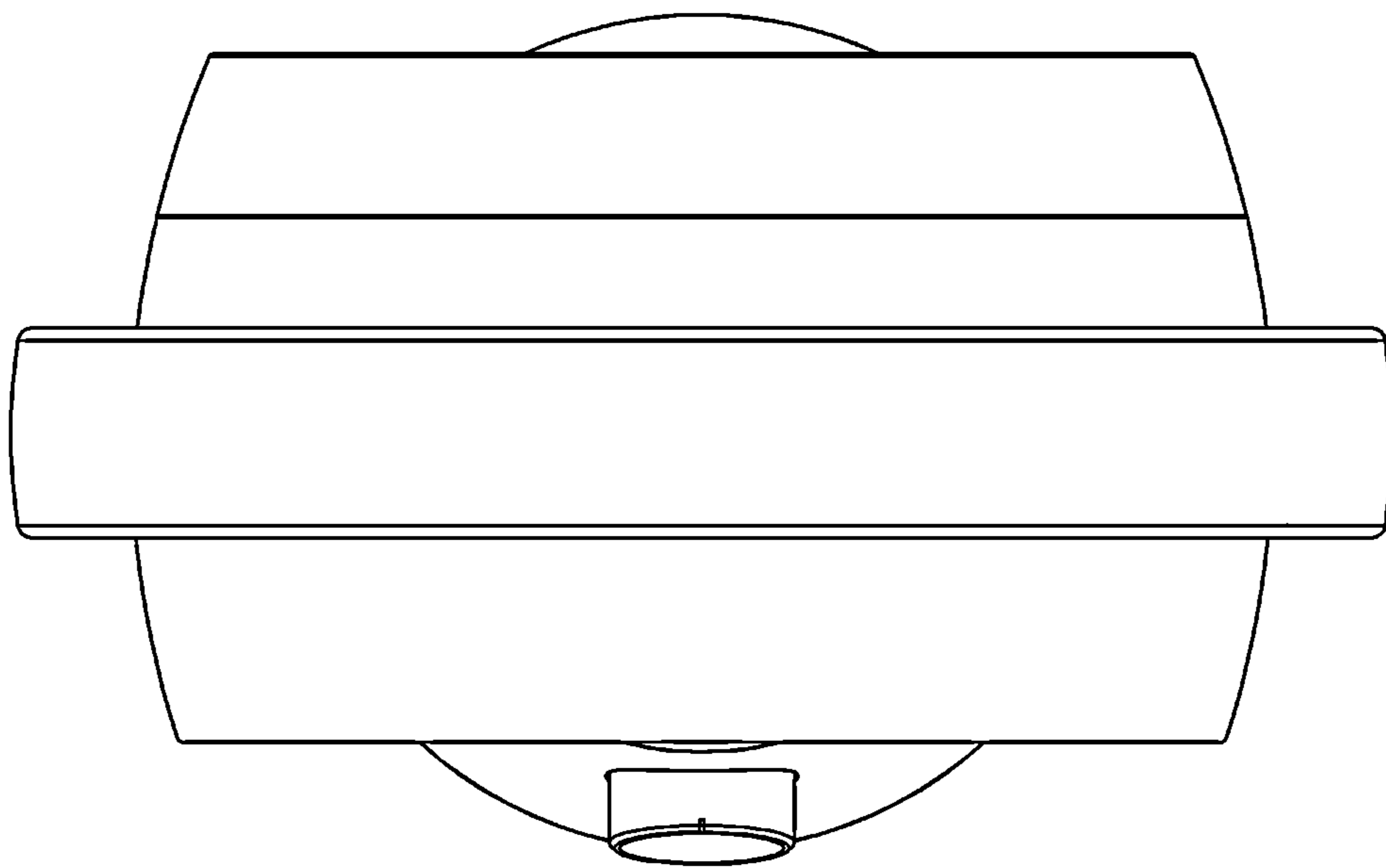


Fig. 7

