



US00D958957S

(12) **United States Design Patent**  
**Wen**

(10) **Patent No.:** **US D958,957 S**

(45) **Date of Patent:** **\*\* \*Jul. 26, 2022**

(54) **AROMATHERAPY MACHINE**  
(71) Applicant: **SHENZHEN BAXIA TECHNOLOGY CO., LTD.**, Guangdong (CN)

D807,486 S \* 1/2018 Li ..... D23/366  
D808,507 S \* 1/2018 Zou ..... D23/366  
D813,366 S \* 3/2018 Tang ..... D23/366  
D815,270 S \* 4/2018 Li ..... D23/366

(72) Inventor: **Long Wen**, Guangdong (CN)  
(73) Assignee: **SHENZHEN BAXIA TECHNOLOGY CO., LTD.**, Guangdong (CN)

**OTHER PUBLICATIONS**

Essential Oil Diffuser found online [Jul. 11, 2018]—[https://www.amazon.com/Essential-Aromatherapy-Diffusers-Ultrasonic-Humidifier/dp/B074H7MCGY/ref=zg\\_bs\\_16250381\\_77?\\_encoding=UTF8&refRID=DRV714F5Y2C9BTKAV24&th=1](https://www.amazon.com/Essential-Aromatherapy-Diffusers-Ultrasonic-Humidifier/dp/B074H7MCGY/ref=zg_bs_16250381_77?_encoding=UTF8&refRID=DRV714F5Y2C9BTKAV24&th=1).\*

(\* ) Notice: This patent is subject to a terminal disclaimer.

\* cited by examiner

(\*\*) Term: **15 Years**

*Primary Examiner* — John A Voytek

(21) Appl. No.: **29/619,085**

(74) *Attorney, Agent, or Firm* — Muncy, Geissler, Olds & Lowe, P.C.

(22) Filed: **Sep. 27, 2017**

(51) **LOC (13) Cl.** ..... **28-99**

(52) **U.S. Cl.**  
USPC ..... **D23/366**

(57) **CLAIM**

The ornamental design for a aromatherapy machine, as shown and described.

(58) **Field of Classification Search**  
USPC ..... D23/314, 325, 333–336, 355–367,  
D23/386–388

**DESCRIPTION**

CPC . A61L 9/03; A61L 9/012; A61L 9/015; A61L 9/037  
See application file for complete search history.

FIG. 1 is a perspective view of aromatherapy machine showing my new design;  
FIG. 2 is a front elevational view thereof;  
FIG. 3 is a rear elevational view thereof;  
FIG. 4 is a left side elevational view thereof;  
FIG. 5 is a right side elevational view thereof;  
FIG. 6 is a top plan view thereof; and,  
FIG. 7 is a bottom plan view thereof.

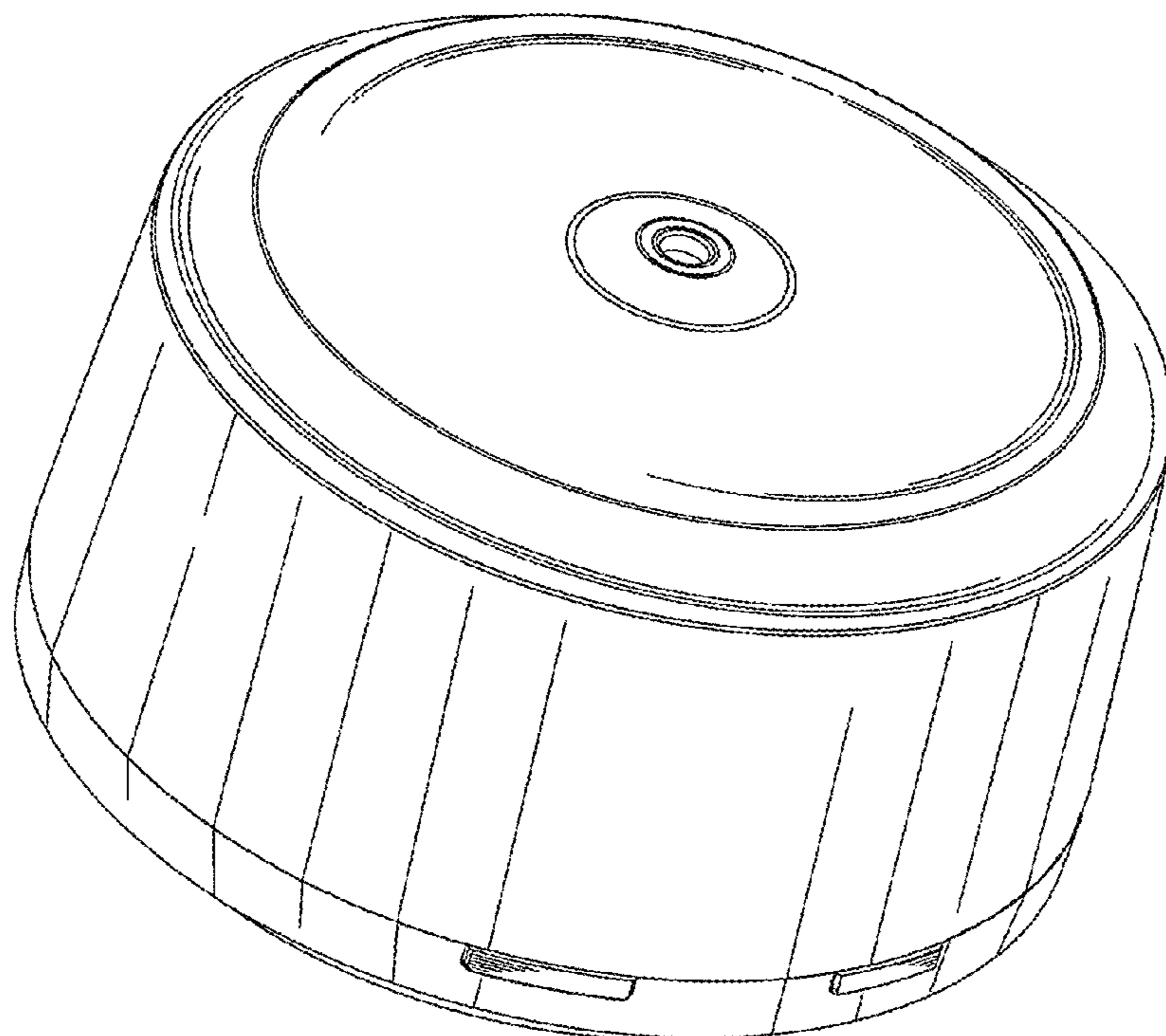
(56) **References Cited**

**U.S. PATENT DOCUMENTS**

D464,129 S \* 10/2002 Xu ..... D23/365  
D653,744 S \* 2/2012 Li ..... D23/366  
D698,909 S \* 2/2014 Chou ..... D23/366  
D753,279 S \* 4/2016 Li ..... D23/366  
D772,391 S \* 11/2016 Zimmerli ..... D23/366

The broken lines in the drawings are for the purpose of illustrating portions of the aromatherapy machine that form no part of the claimed design.

**1 Claim, 7 Drawing Sheets**



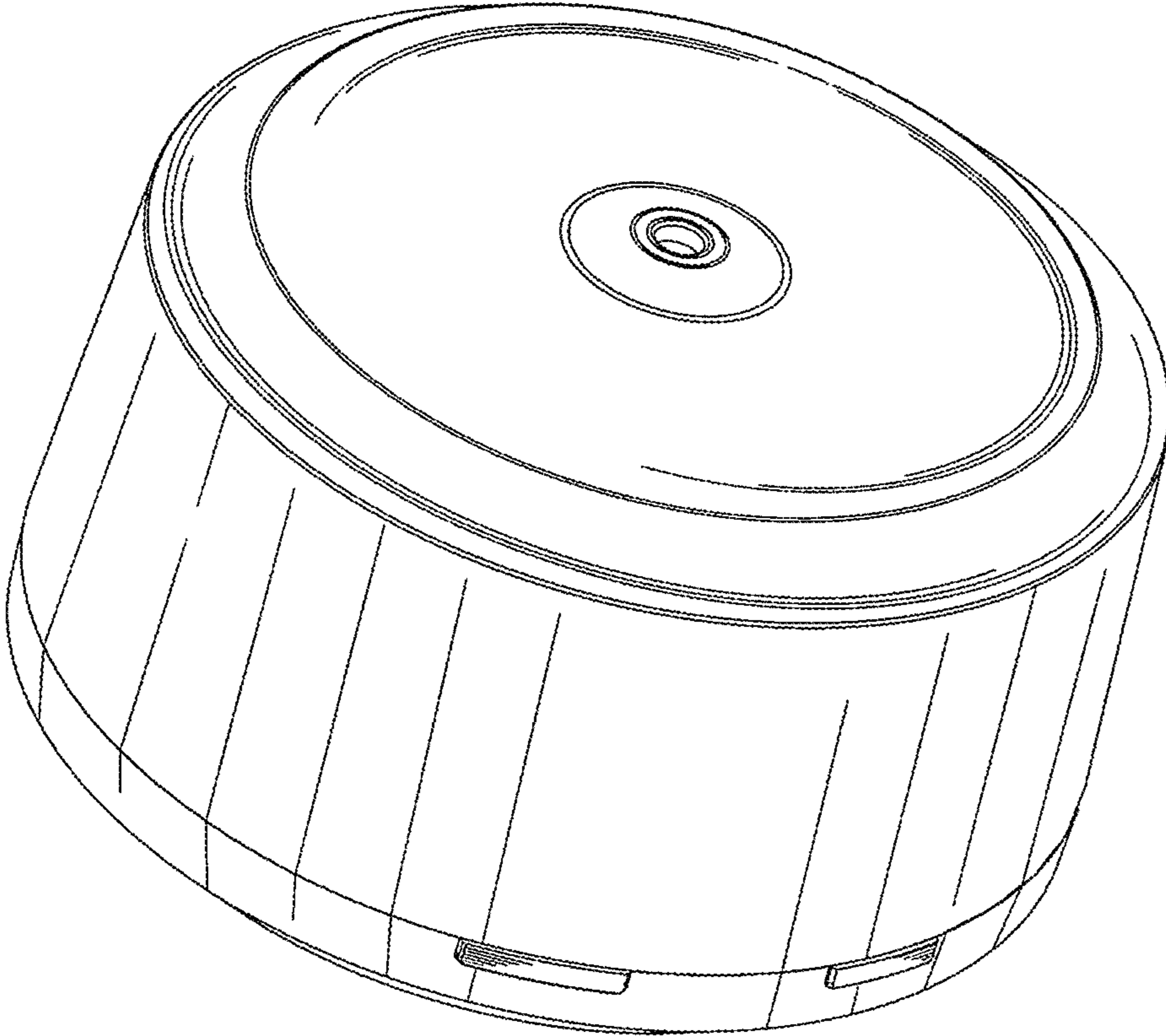


FIG. 1

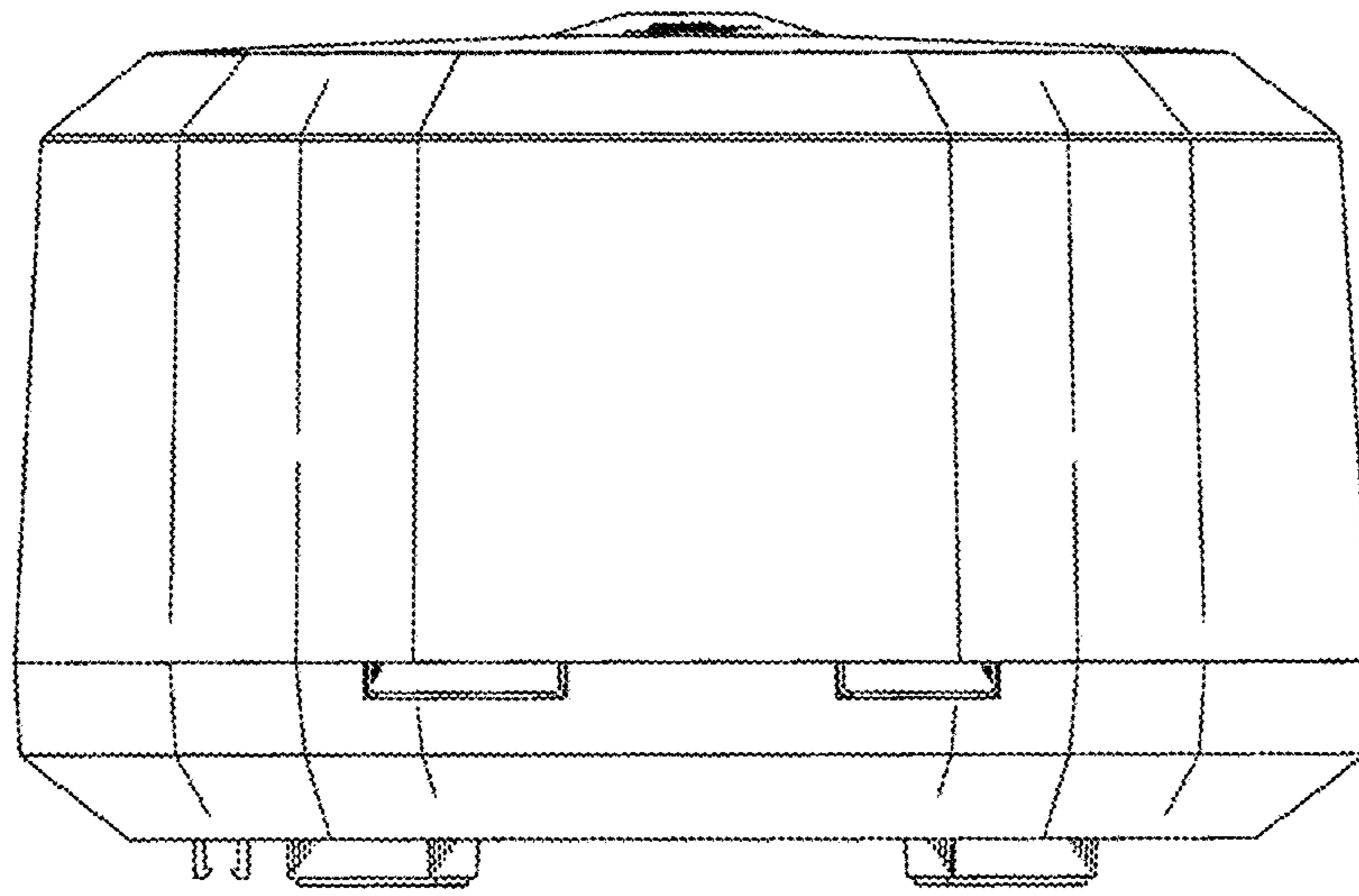


FIG.2

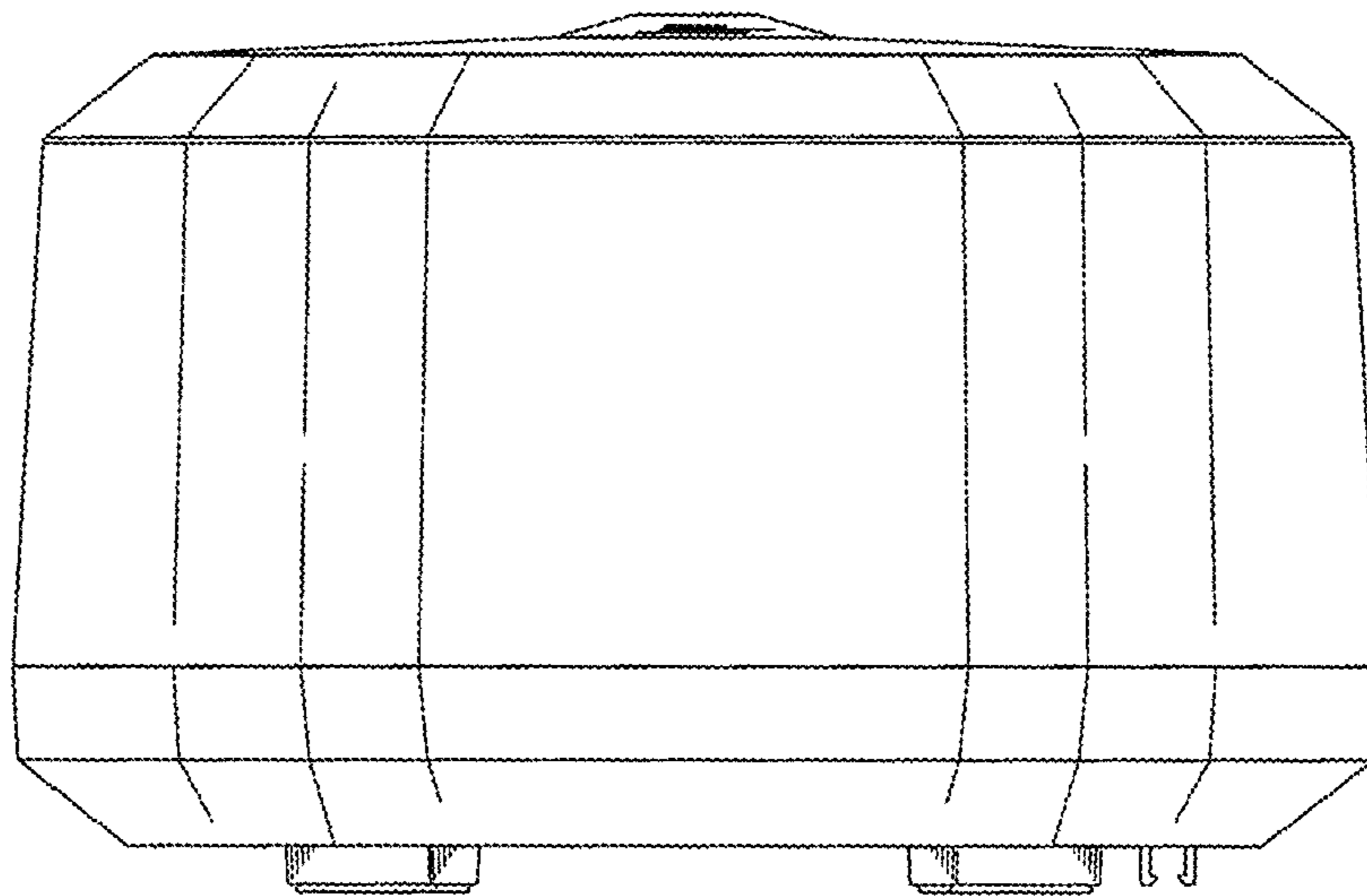


FIG.3

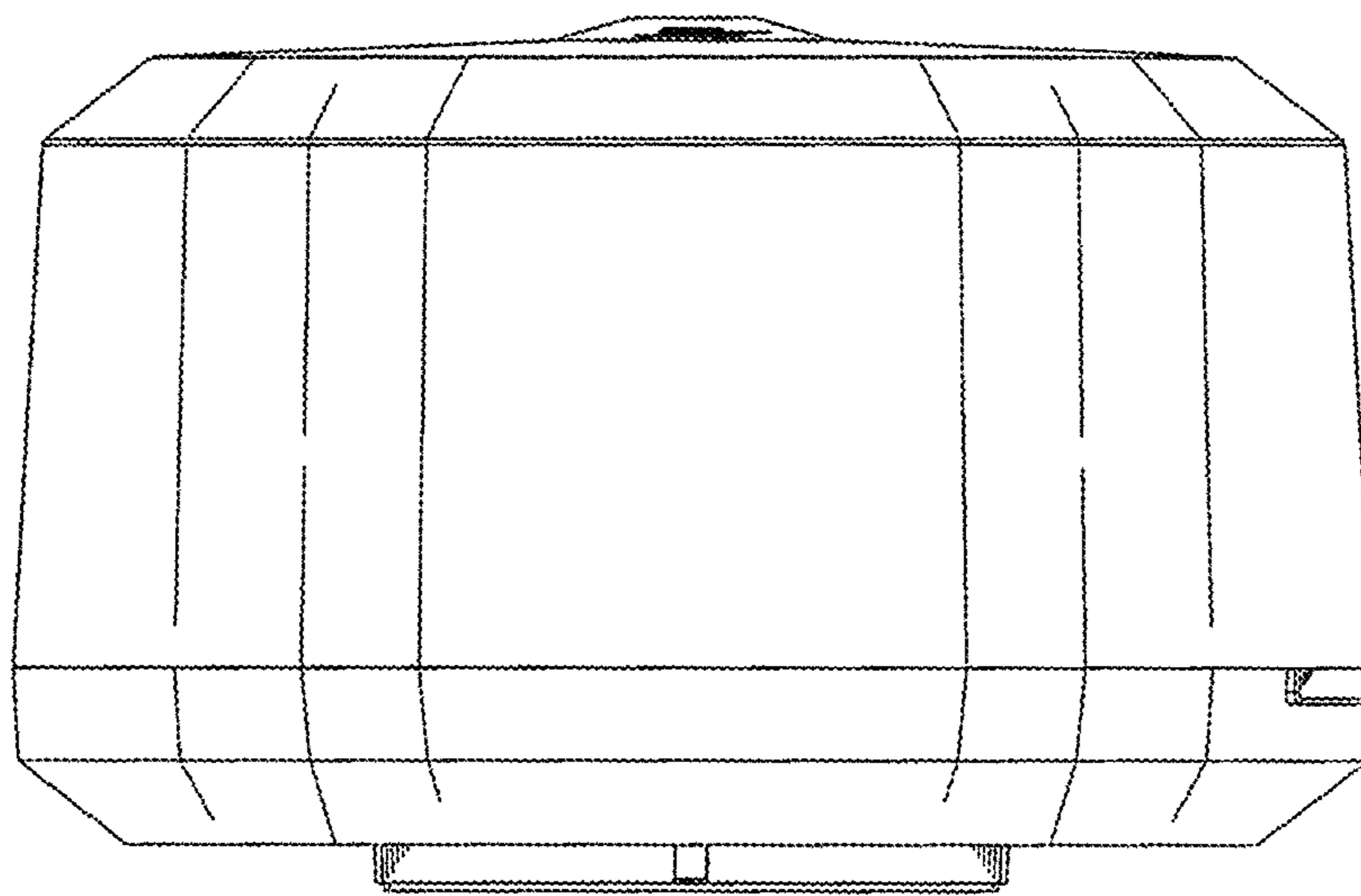


FIG.4

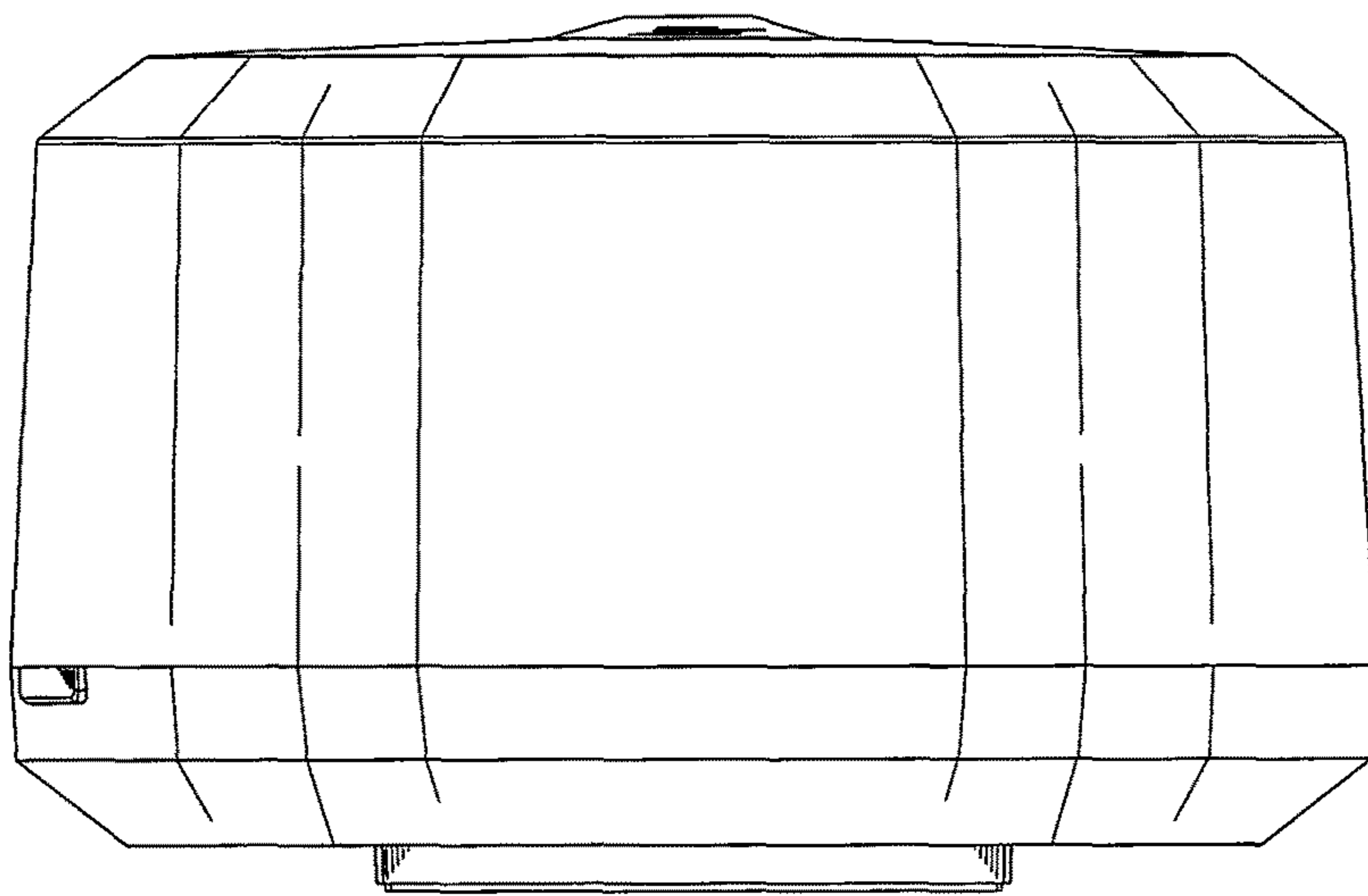


FIG.5



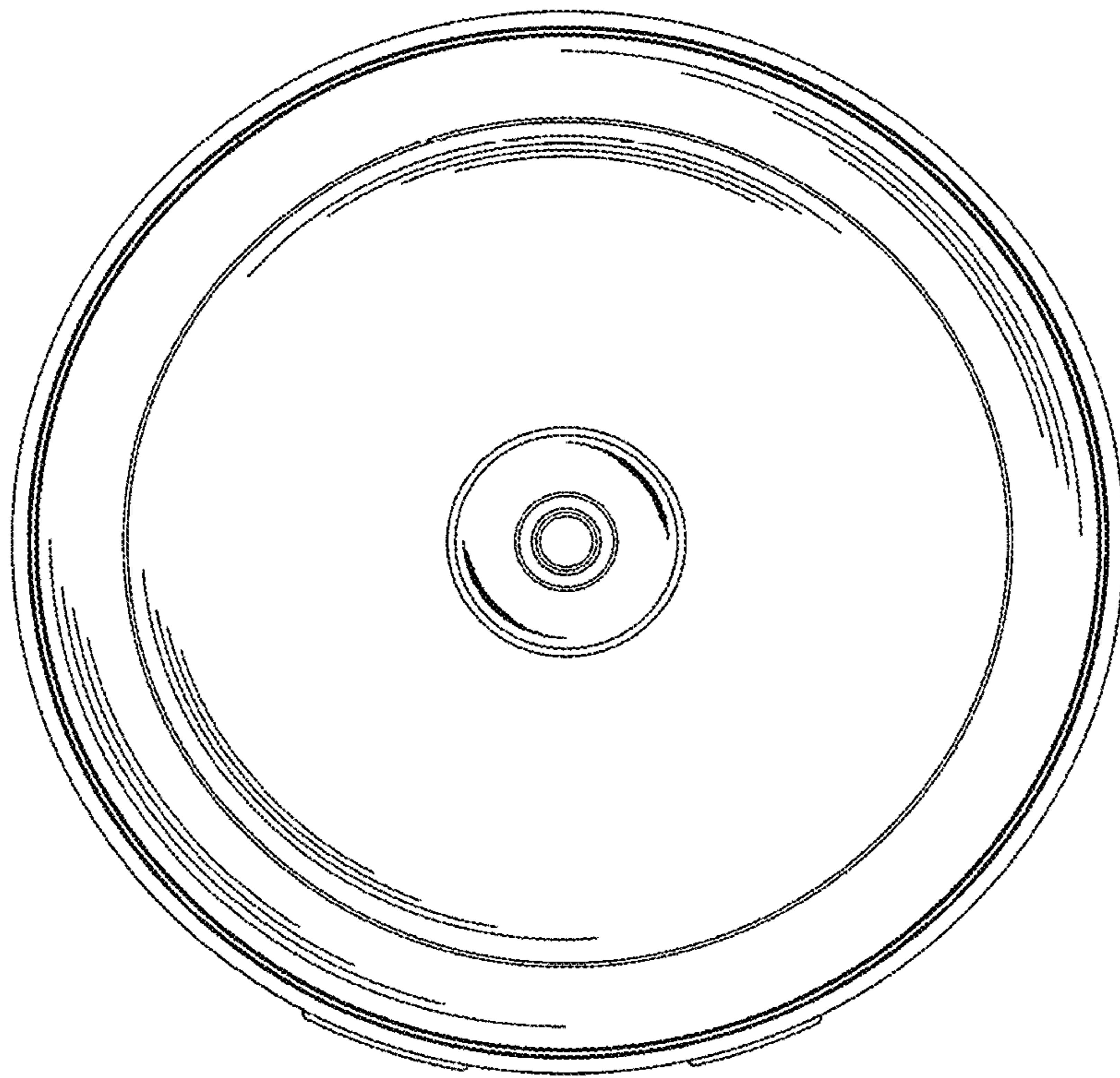


FIG.6

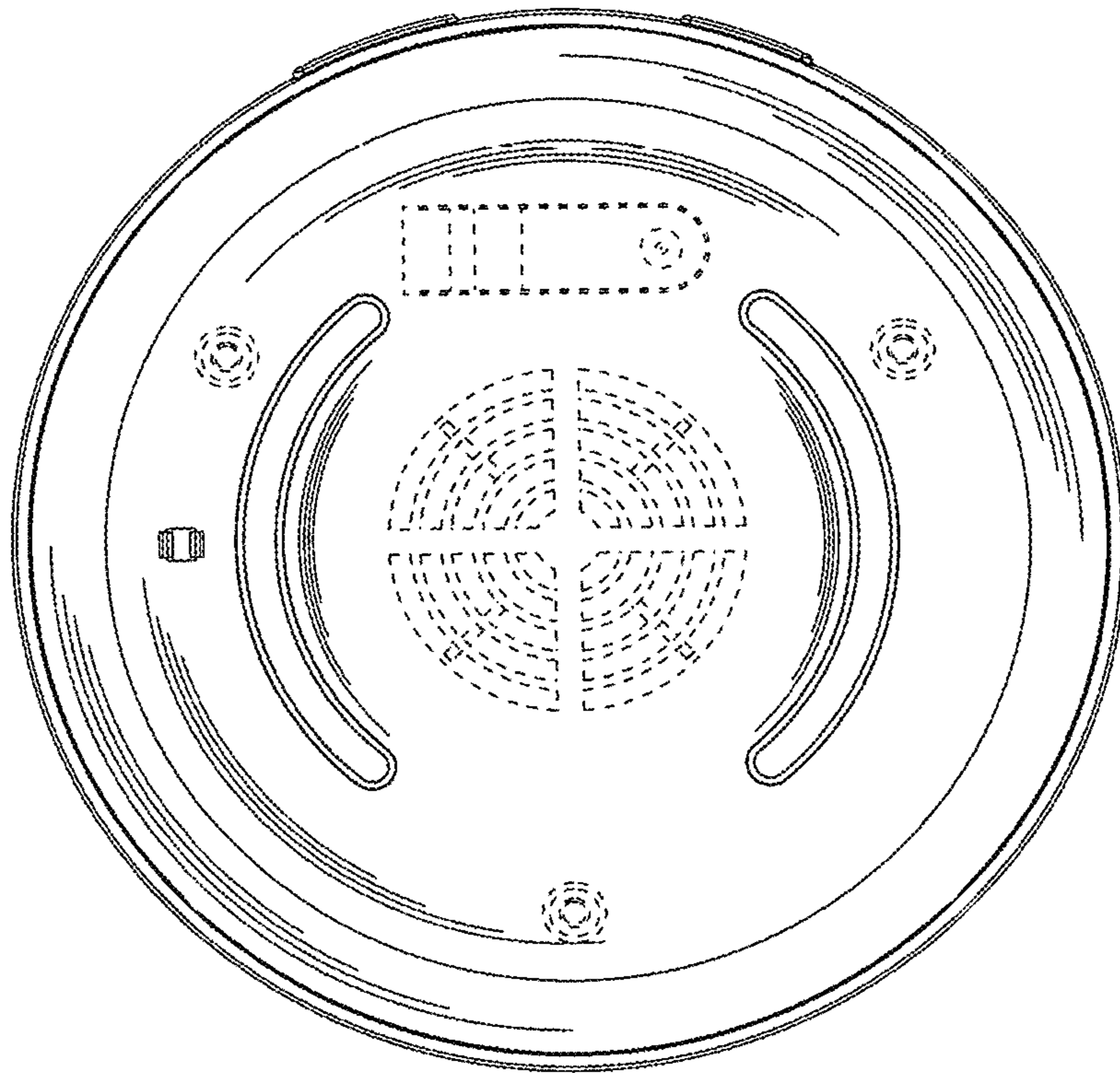


FIG. 7