



US00D958955S

(12) **United States Design Patent**  
**Wang**

(10) **Patent No.:** **US D958,955 S**

(45) **Date of Patent:** **\*\* Jul. 26, 2022**

(54) **AIR EXTRACTOR**

(71) Applicant: **Bin Wang**, Shenzhen (CN)

(72) Inventor: **Bin Wang**, Shenzhen (CN)

(73) Assignee: **Shenzhen MOYOUTA Global Digital Technology Co., Ltd.**, Shenzhen (CN)

(\*\*) Term: **15 Years**

(21) Appl. No.: **29/774,085**

(22) Filed: **Mar. 14, 2021**

(51) **LOC (13) Cl.** ..... **23-04**

(52) **U.S. Cl.**  
USPC ..... **D23/364**

(58) **Field of Classification Search**  
USPC ..... D23/355–366, 352, 369, 332, 333, 335,  
D23/336, 342, 351  
CPC .. A61L 9/16; A61L 9/22; B01D 47/00; B01D  
47/027; B01D 2221/02; B01D 2259/4508;  
B03C 3/155; B03C 3/368; F24F 3/16;  
F24F 13/20; F24F 13/28  
See application file for complete search history.

(56) **References Cited**

**U.S. PATENT DOCUMENTS**

D856,504 S \* 8/2019 De' Longhi ..... D23/378  
D912,796 S \* 3/2021 Huang ..... D23/364

D918,371 S \* 5/2021 Zeng ..... D23/364  
D928,298 S \* 8/2021 Zuo ..... D23/364  
D933,797 S \* 10/2021 Liu ..... D23/364  
D933,798 S \* 10/2021 Wang ..... D23/364  
D939,071 S \* 12/2021 Seo ..... D23/364  
D943,076 S \* 2/2022 Yu ..... D23/364  
D947,336 S \* 3/2022 Victorin ..... D23/364  
D948,017 S \* 4/2022 Chen ..... D23/364  
D948,693 S \* 4/2022 Li ..... D23/364

\* cited by examiner

*Primary Examiner* — David G Muller

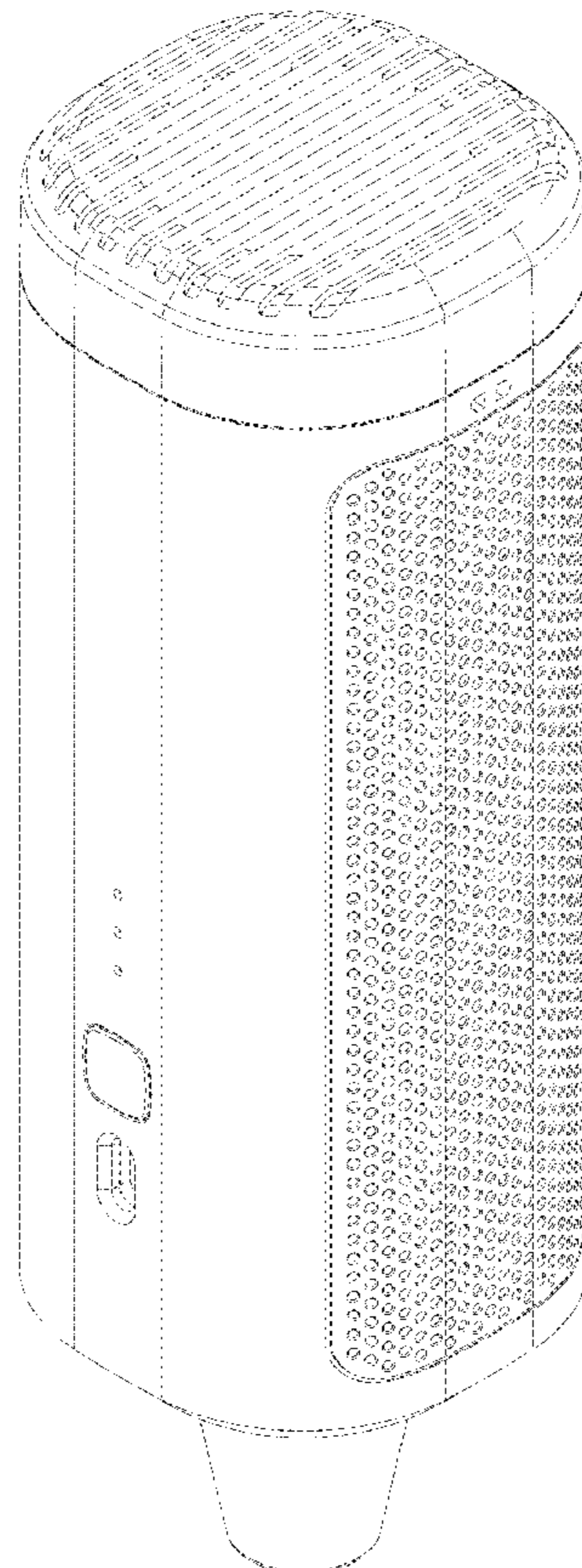
(57) **CLAIM**

The ornamental design for an air extractor, as shown and described.

**DESCRIPTION**

FIG. 1 is a front, top perspective view of an air extractor showing my new design;  
FIG. 2 is a rear, bottom perspective view thereof;  
FIG. 3 is a front elevation view thereof;  
FIG. 4 is a rear elevation view thereof;  
FIG. 5 is a left side elevation view thereof;  
FIG. 6 is a right side elevation view thereof;  
FIG. 7 is a top plan view thereof;  
FIG. 8 is a bottom plan view thereof; and,  
FIG. 9 is an exploded view thereof.

**1 Claim, 9 Drawing Sheets**



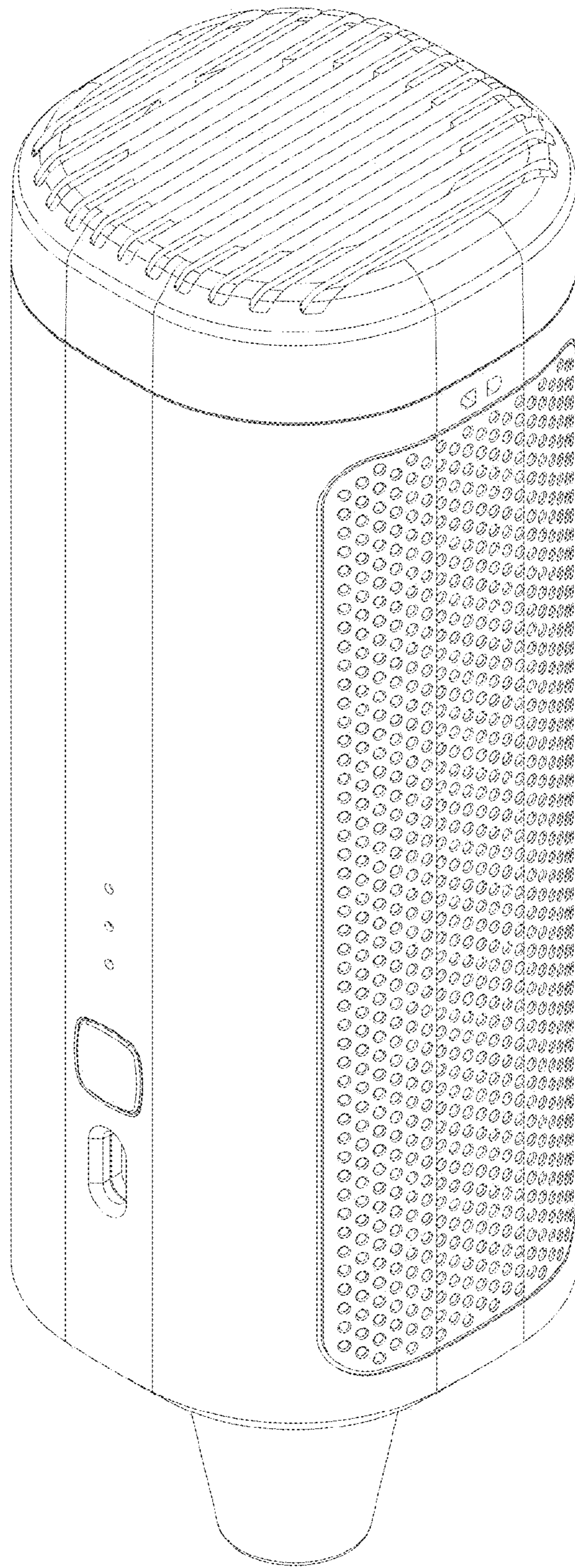


FIG. 1

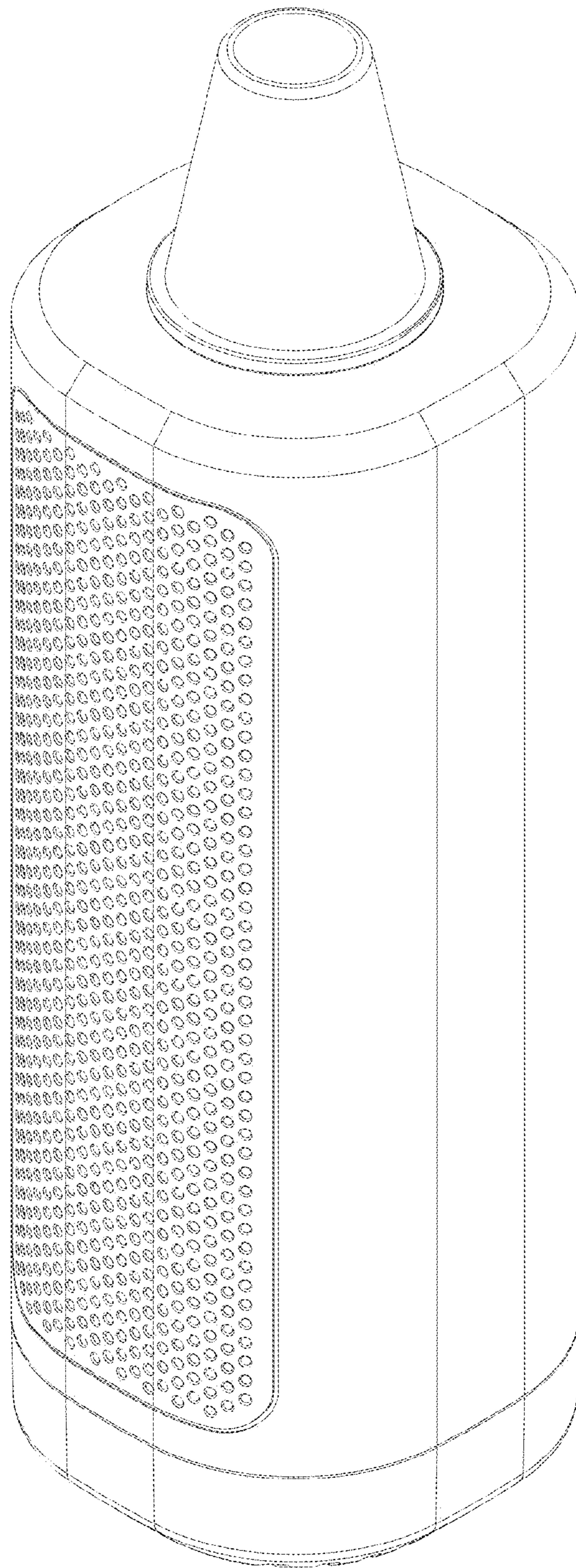


FIG. 2

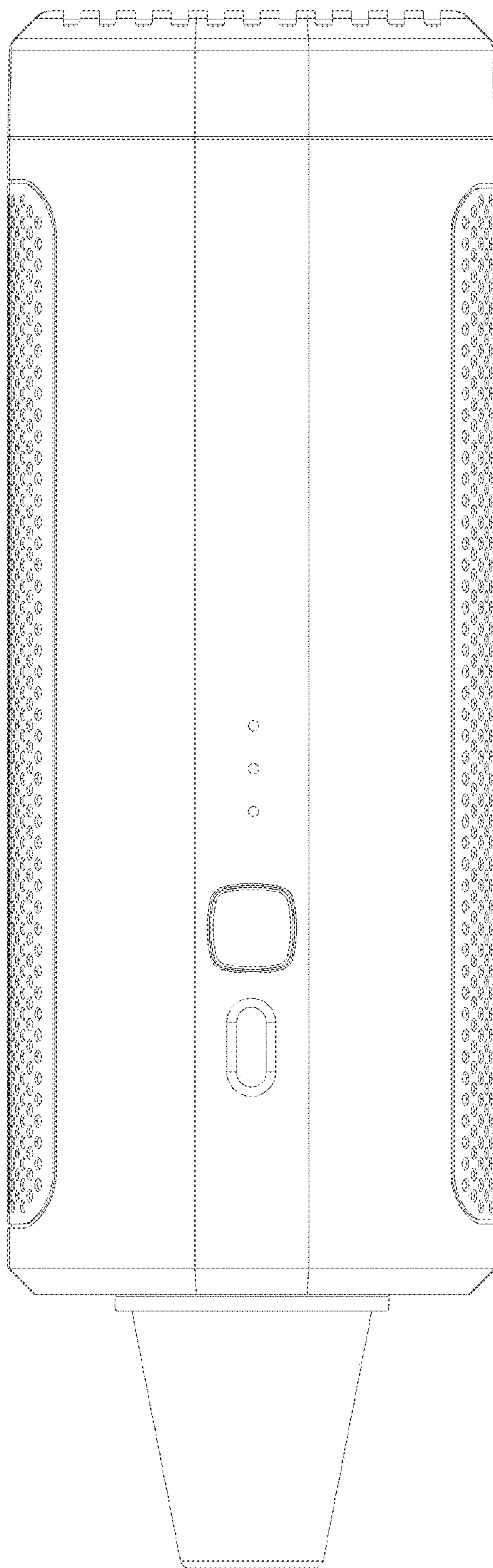


FIG. 3

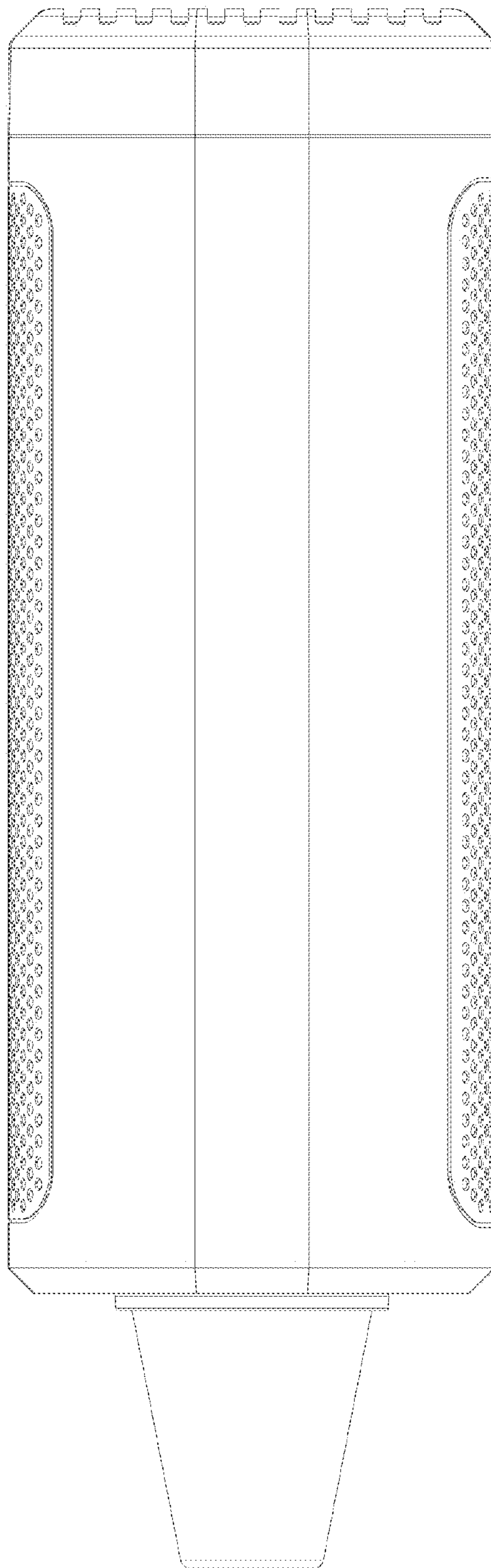


FIG. 4

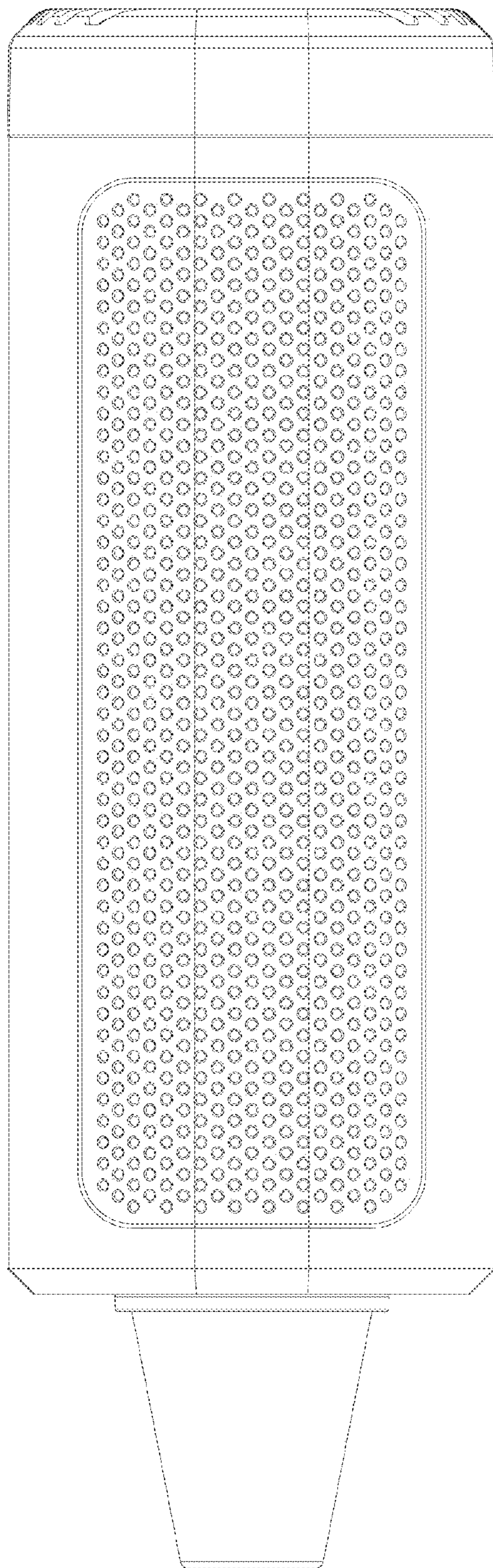


FIG. 5

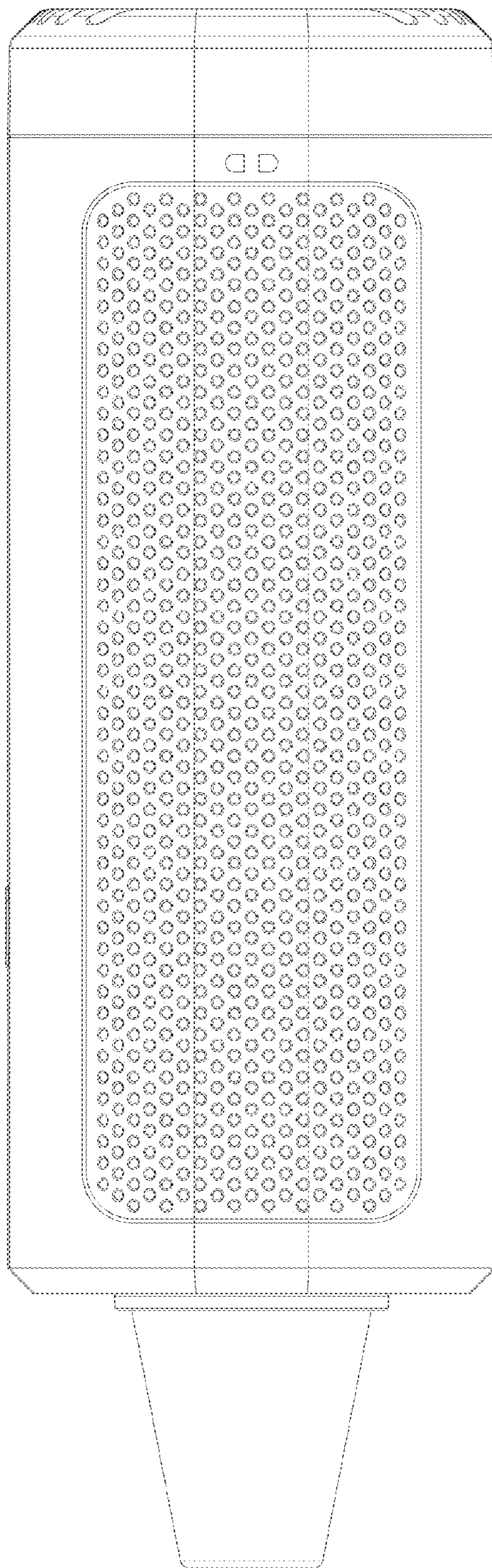


FIG. 6

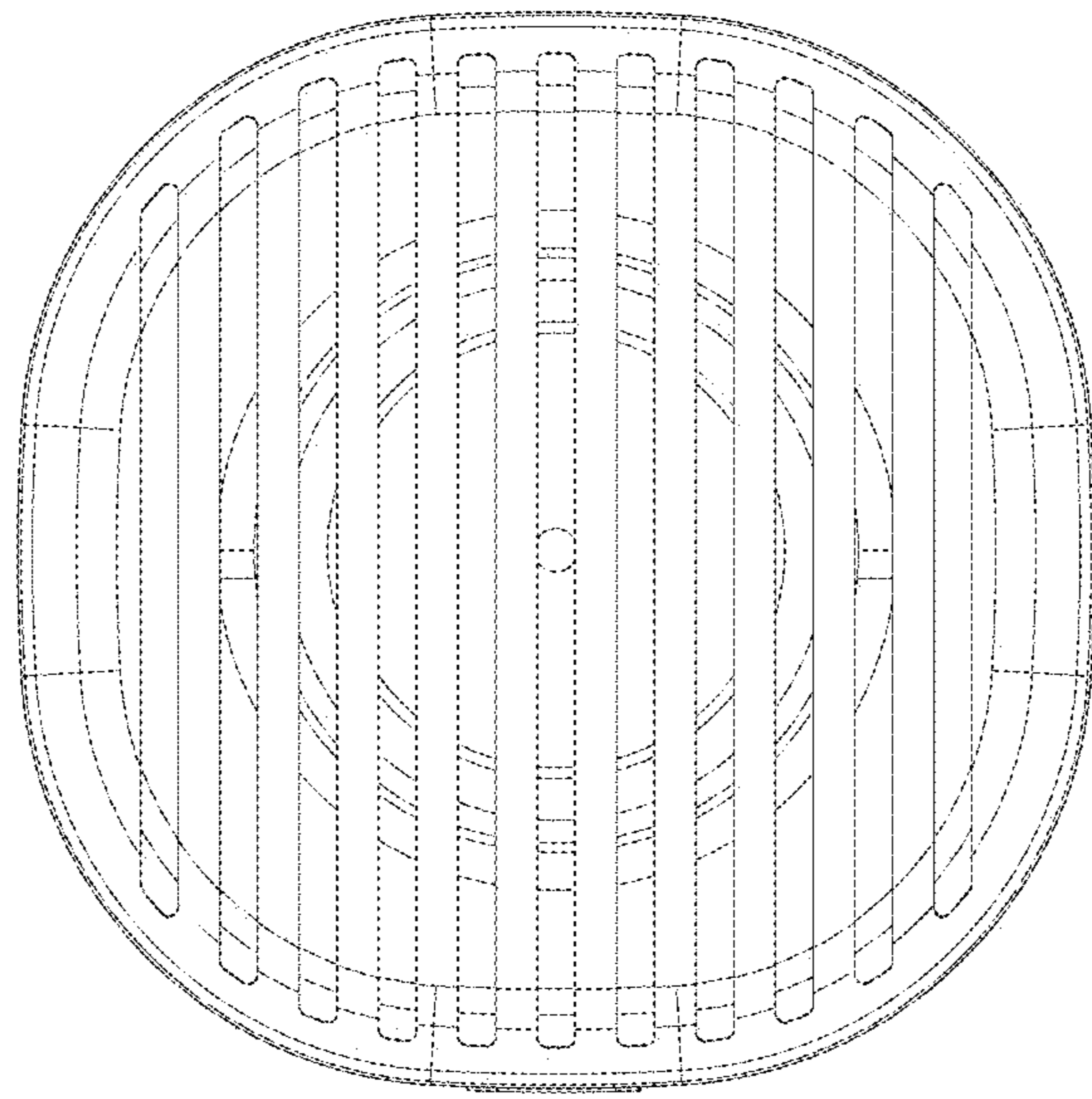


FIG. 7



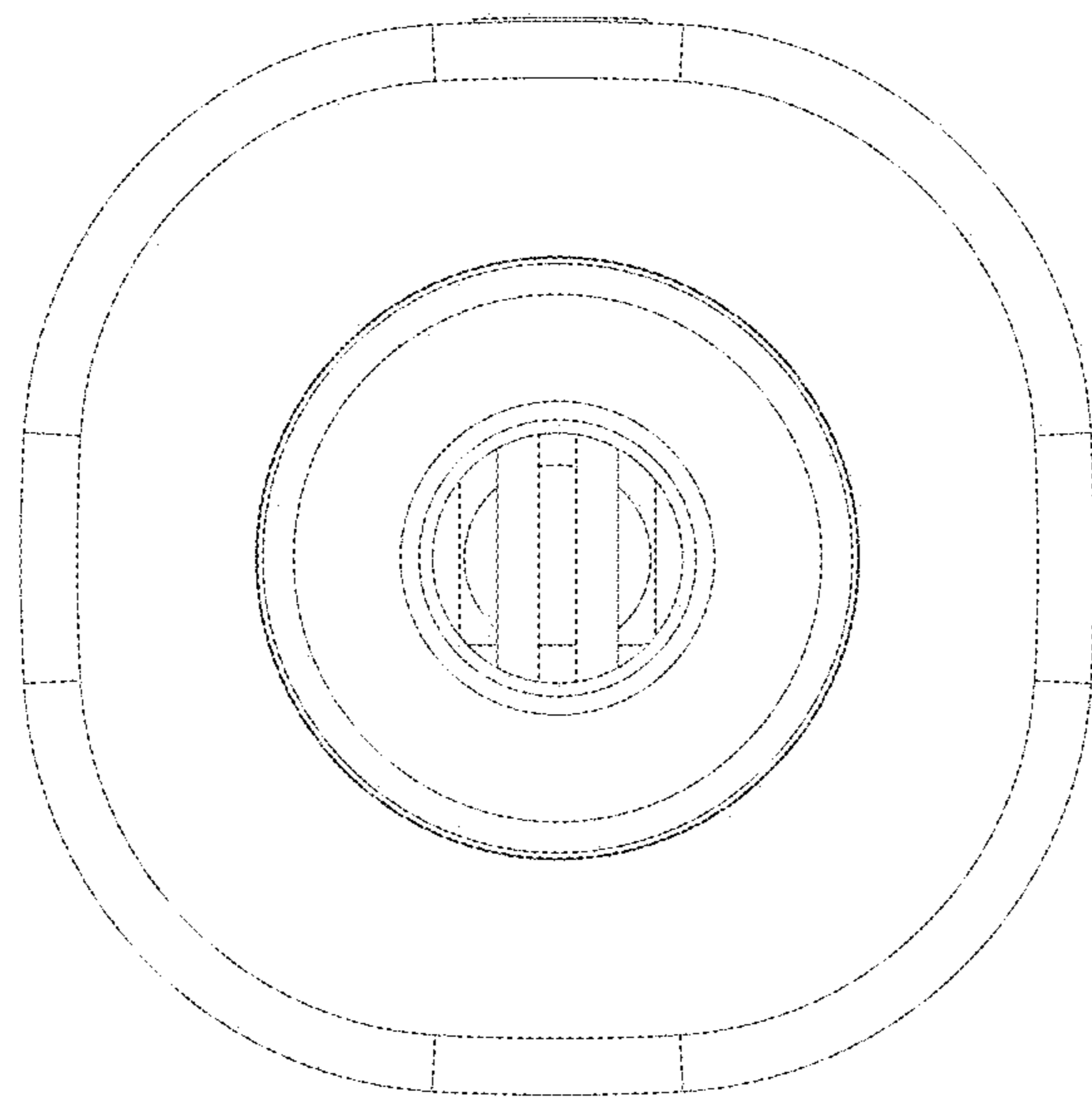


FIG. 8

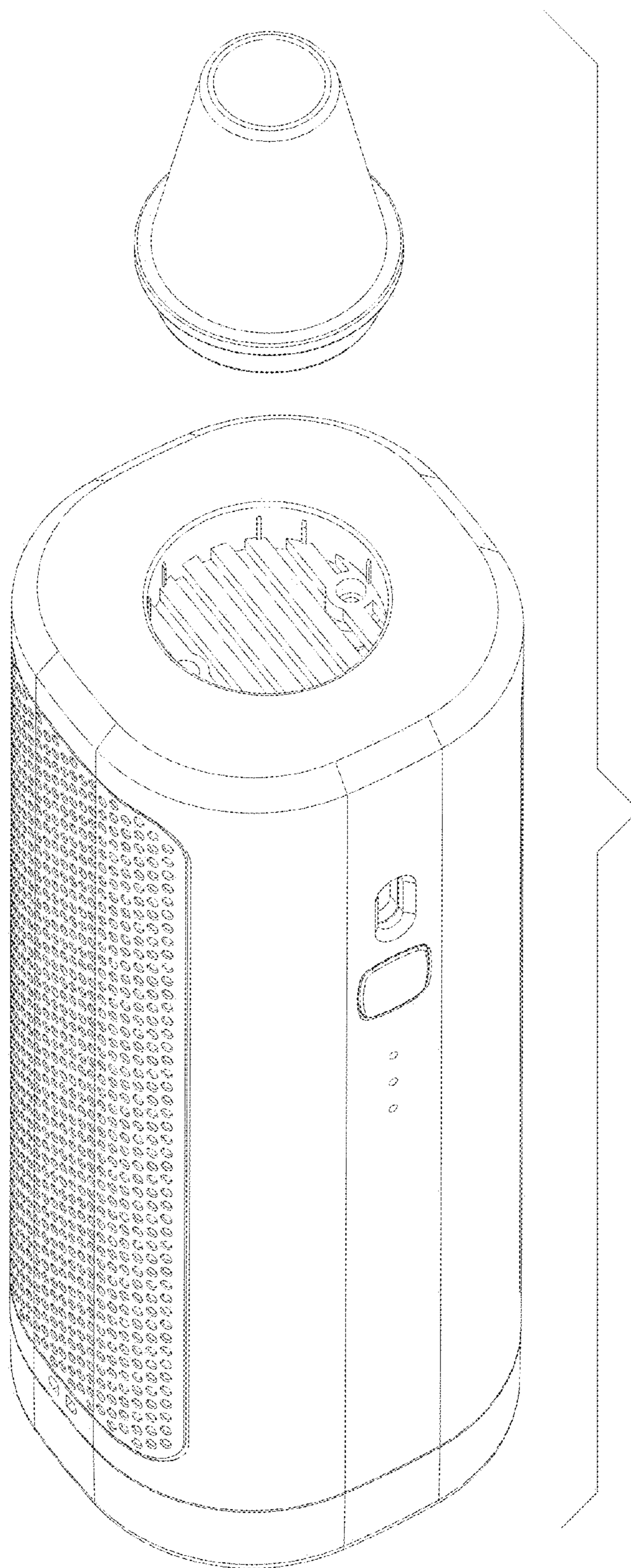


FIG. 9