



US00D958954S

(12) **United States Design Patent**
Wahl

(10) **Patent No.:** **US D958,954 S**

(45) **Date of Patent:** **** Jul. 26, 2022**

(54) **AIR PURIFIER**

(71) Applicant: **Inter IKEA Systems B.V.**, LN Delft
(NL)

(72) Inventor: **David Wahl**, Almhult (SE)

(73) Assignee: **INTER IKEA SYSTEMS B.V.**, Delft
(NL)

(**) Term: **15 Years**

(21) Appl. No.: **29/773,808**

(22) Filed: **Mar. 11, 2021**

(30) **Foreign Application Priority Data**

Oct. 2, 2020 (EM) 008193023

(51) **LOC (13) Cl.** **23-04**

(52) **U.S. Cl.**
USPC **D23/364**

(58) **Field of Classification Search**
USPC D23/355-366, 352, 369, 332, 333, 335,
D23/336, 342, 351; D6/685-687, 692
CPC ... A47B 7/00; A47B 11/00; A61L 9/16; A61L
9/22; B01D 47/00; B01D 47/027; B01D
2221/02; B01D 2259/4508; B03C 3/155;
B03C 3/368; F24F 3/16; F24F 13/20;
F24F 13/28

See application file for complete search history.

(56) **References Cited**

U.S. PATENT DOCUMENTS

D367,978 S * 3/1996 Lewis D6/692
D389,676 S * 1/1998 Diaz-Azcuy D6/692

D427,812 S * 7/2000 Donnelly D6/692
D716,593 S * 11/2014 Rubio D6/692
D837,355 S * 1/2019 Gunnefur D23/364
D855,784 S * 8/2019 Seo D23/358
D860,424 S * 9/2019 Seo D23/358
D861,402 S * 10/2019 Ramos D6/692
D882,744 S * 4/2020 Li D23/355
D897,513 S * 9/2020 Huang D23/356
D899,572 S * 10/2020 Lee D23/364
D899,829 S * 10/2020 Liang D6/692
D948,255 S * 4/2022 Ben-Avi D6/686

* cited by examiner

Primary Examiner — David G Muller

(74) *Attorney, Agent, or Firm* — Tucker Ellis LLP

(57) **CLAIM**

The ornamental design for an air purifier, as shown and described.

DESCRIPTION

FIG. 1 is a front, right side and top perspective view of an air purifier showing my new design;
FIG. 2 is a rear, left side and bottom perspective view thereof;
FIG. 3 is a front view thereof;
FIG. 4 is a rear view thereof;
FIG. 5 is a top view thereof;
FIG. 6 is a bottom view thereof;
FIG. 7 is a left side view thereof; and,
FIG. 8 is a right side view thereof.
The broken lines in the drawings illustrate portions of the air purifier that form no part of the claimed design.

1 Claim, 8 Drawing Sheets

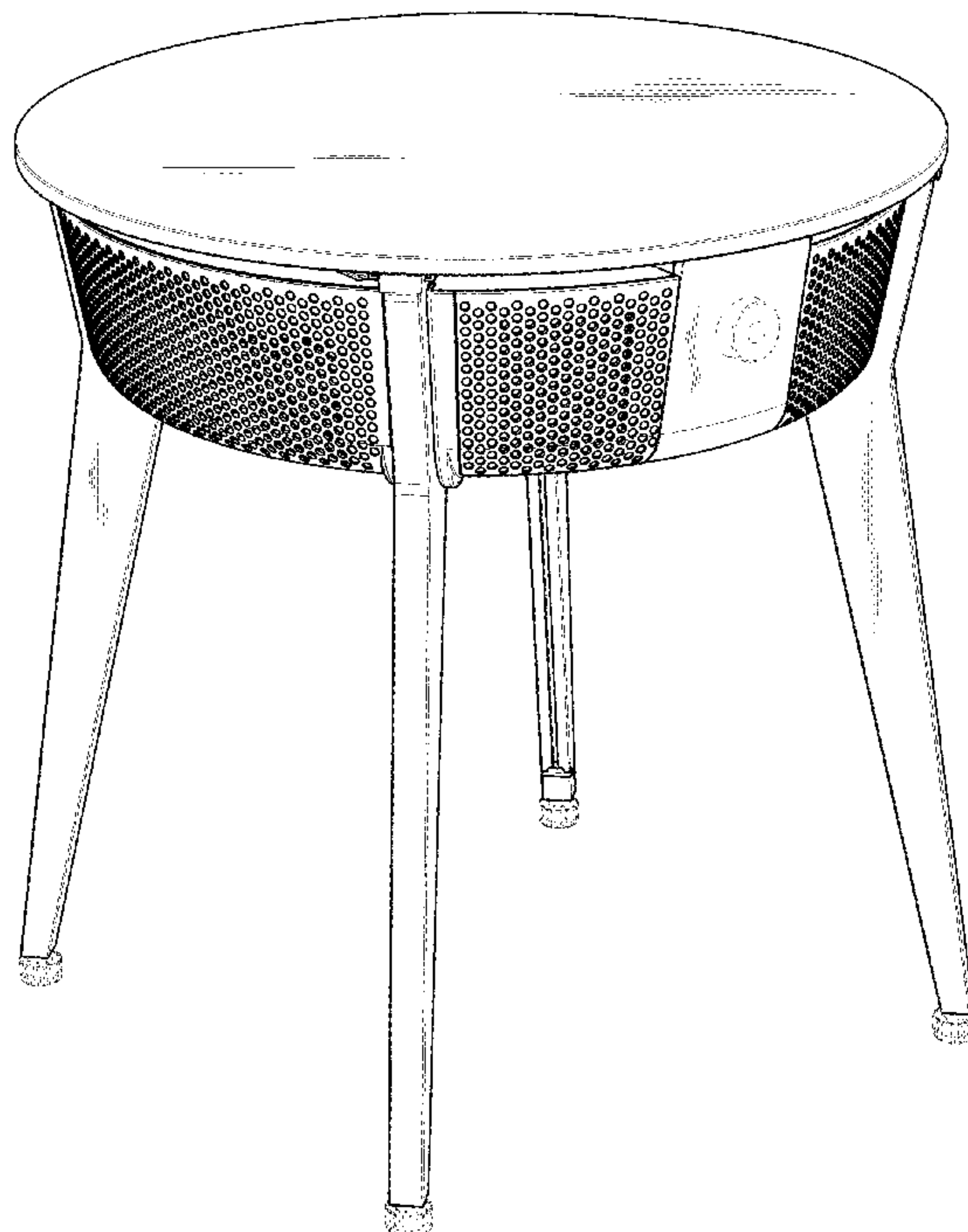




FIG. 1

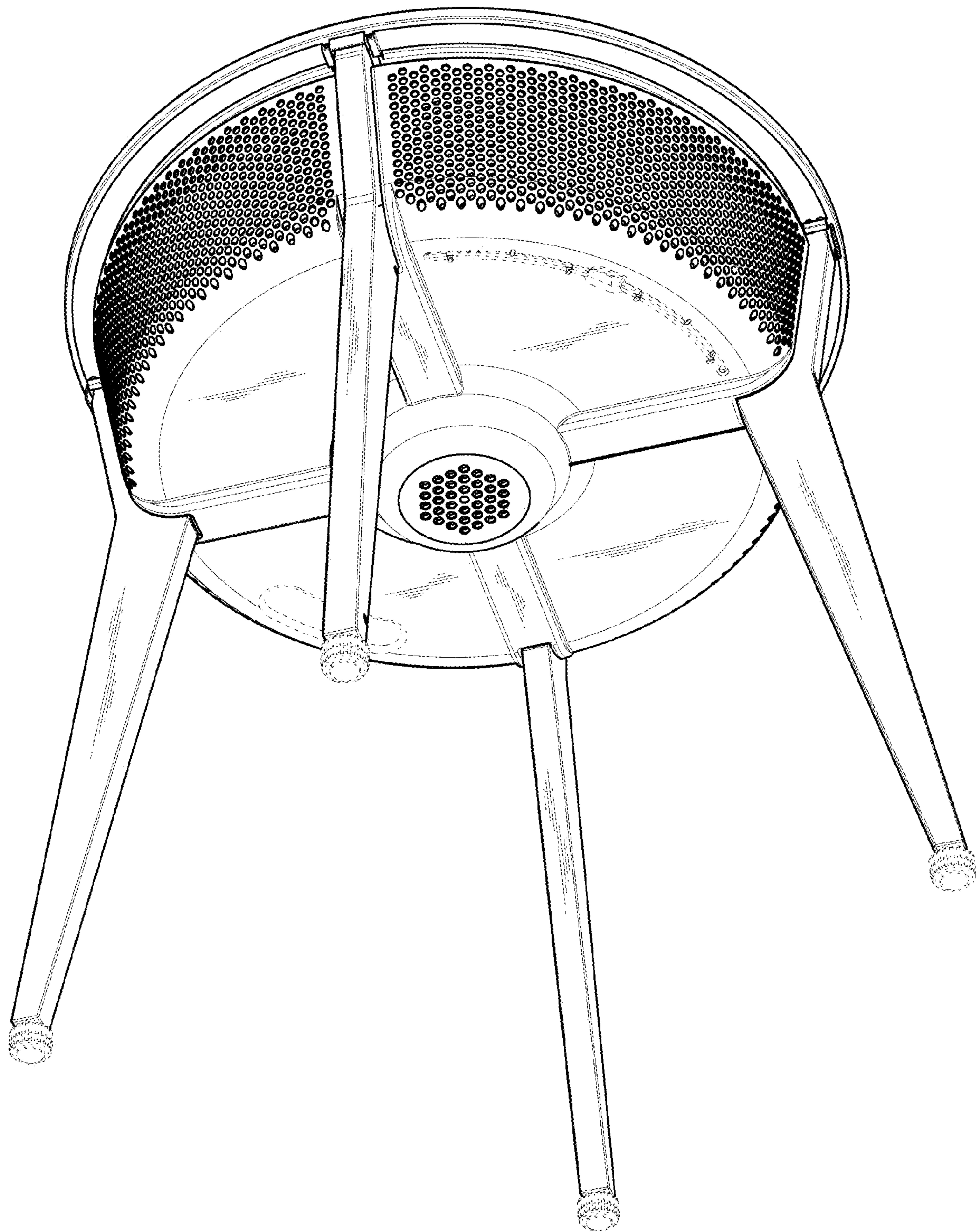


FIG. 2

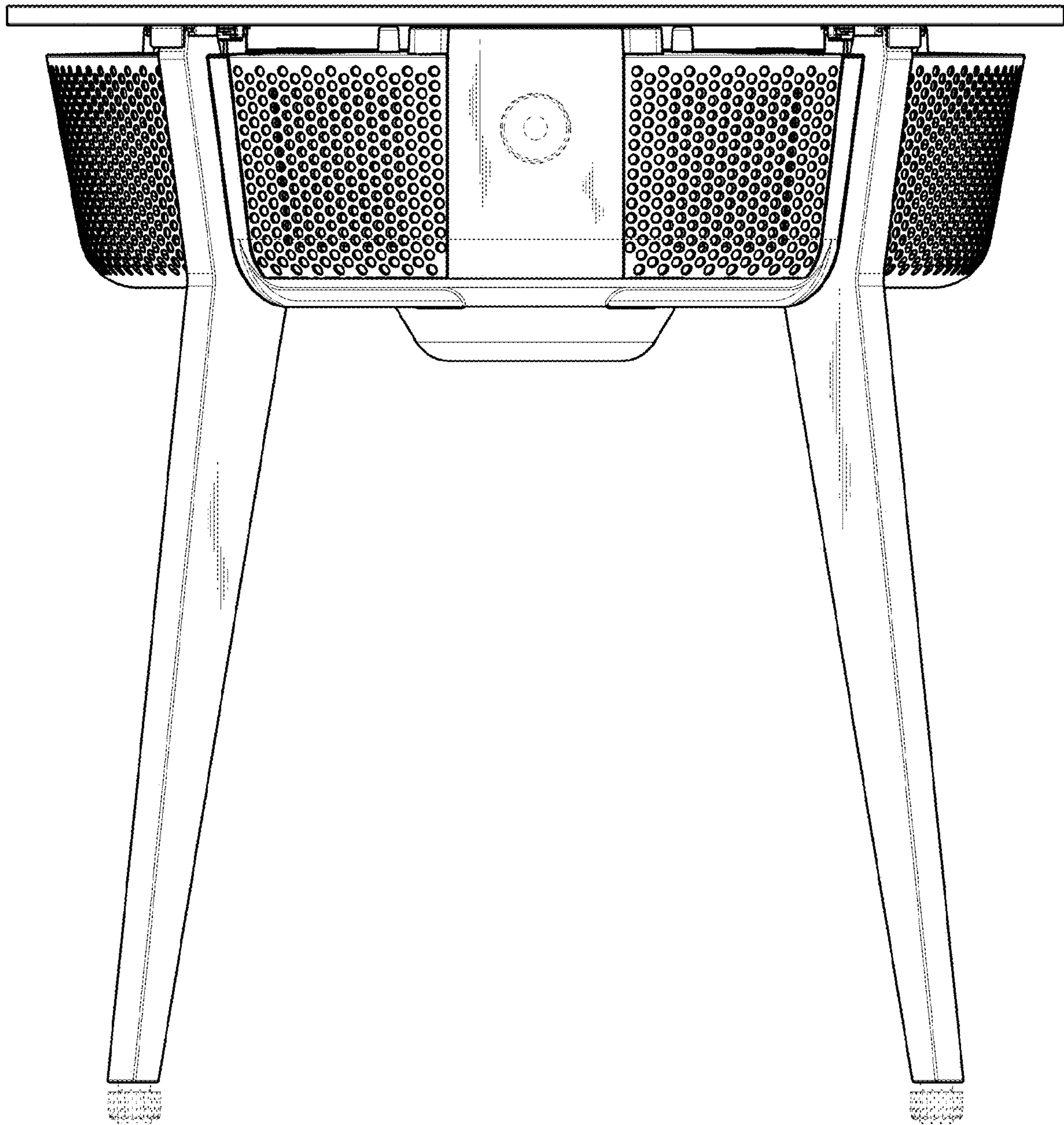


FIG. 3

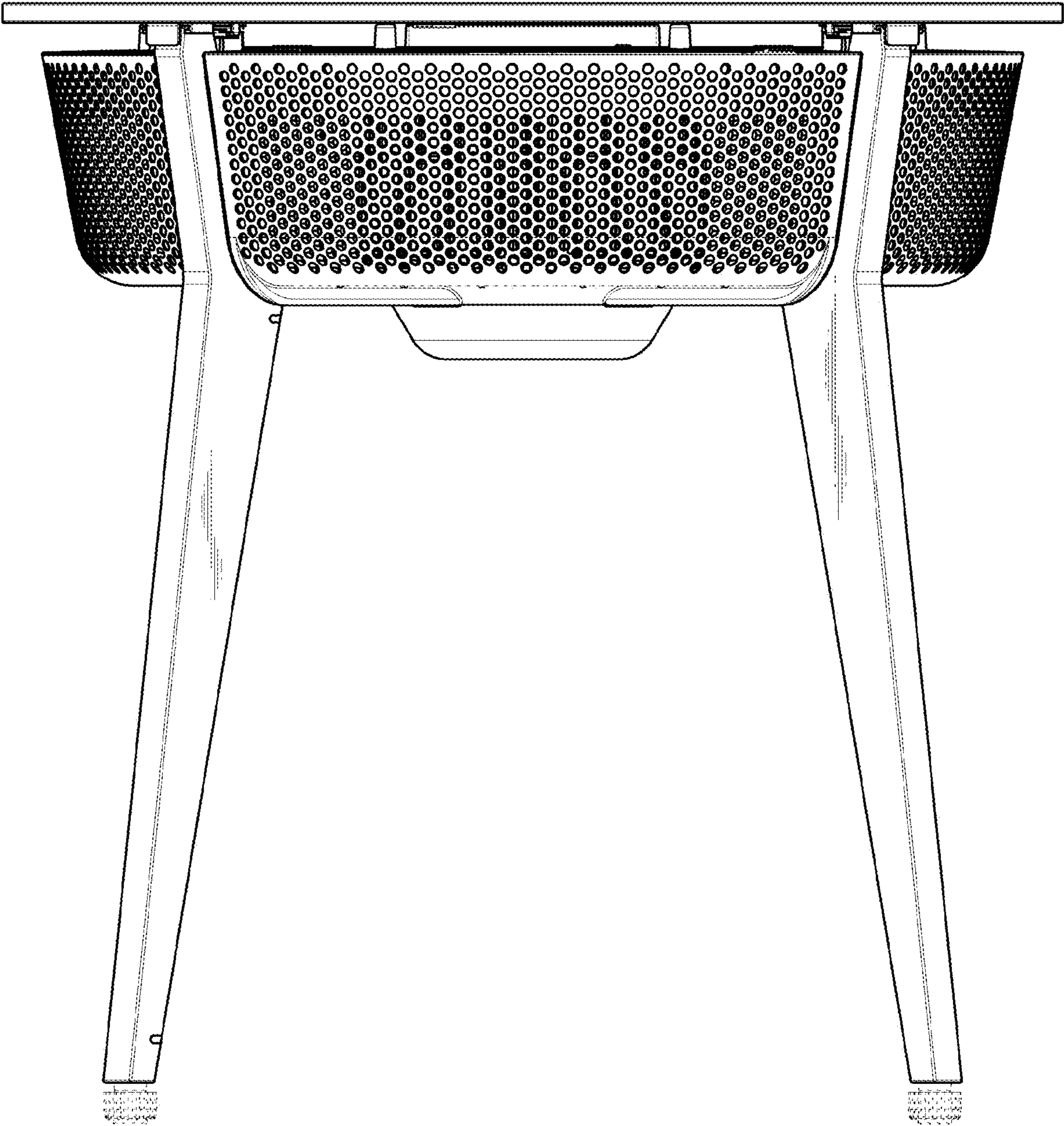


FIG. 4

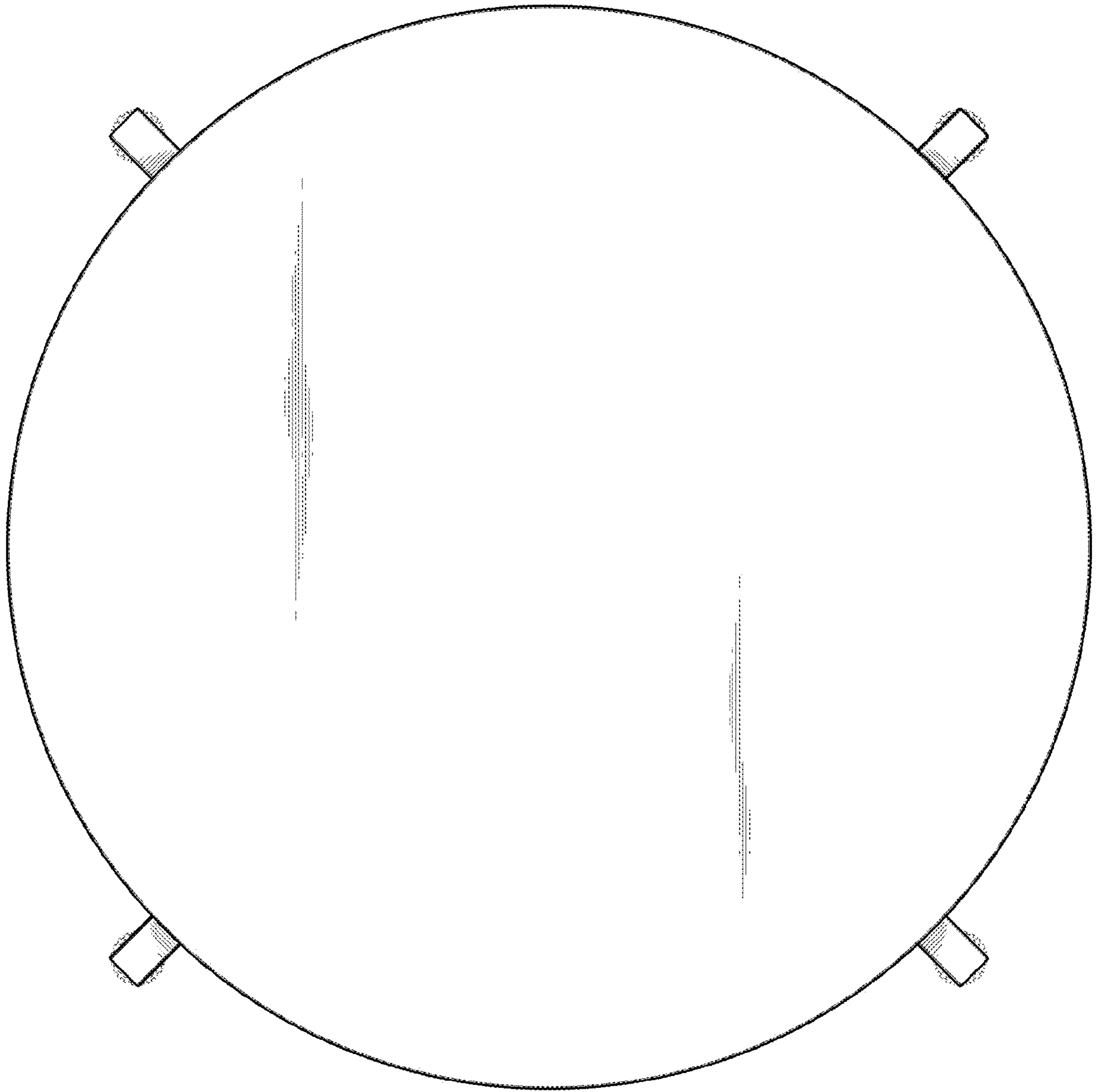


FIG. 5

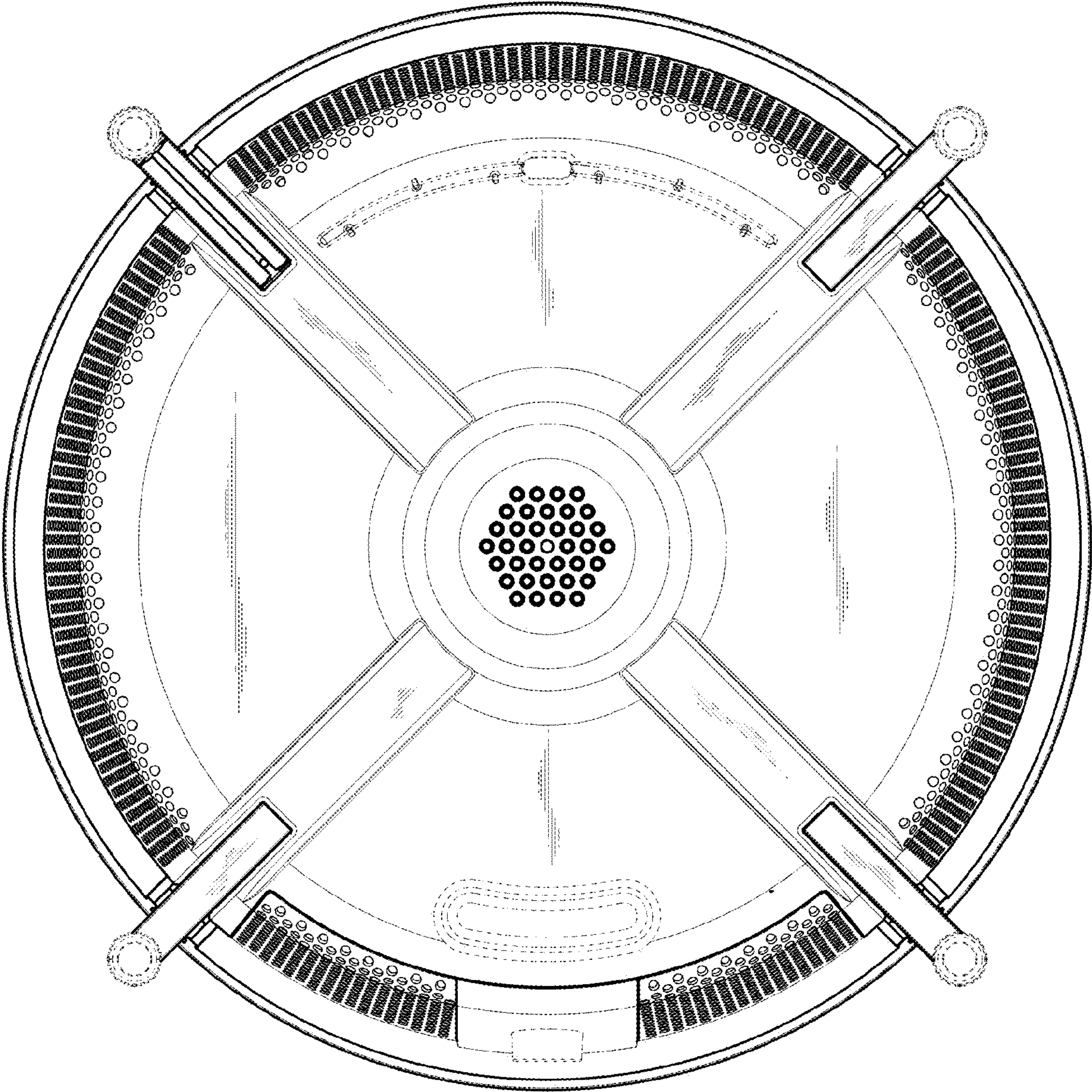


FIG. 6

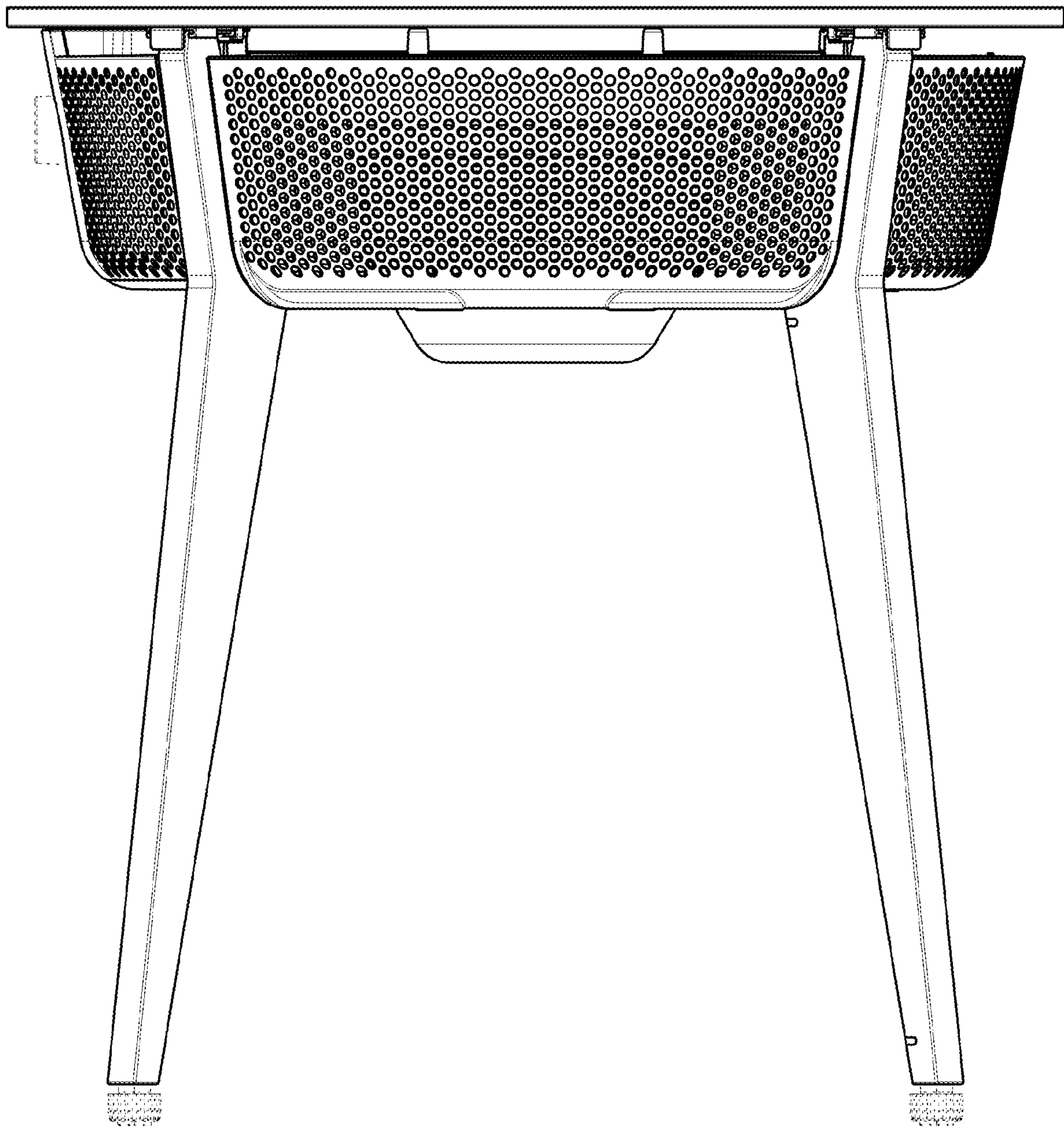


FIG. 7

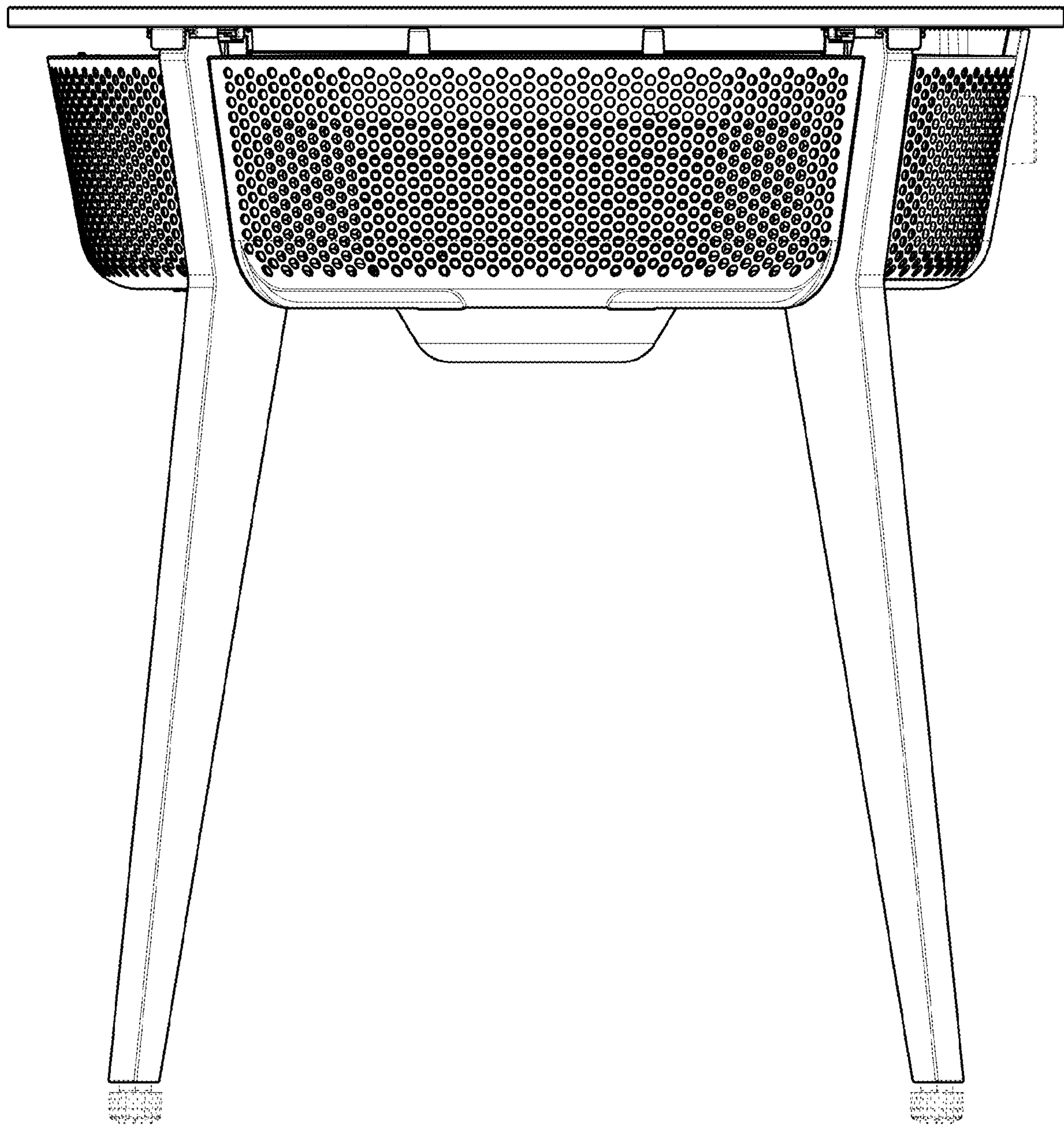


FIG. 8