



US00D958952S

(12) **United States Design Patent** (10) **Patent No.:** **US D958,952 S**
Sward et al. (45) **Date of Patent:** **** Jul. 26, 2022**

(54) **AIR TREATMENT APPLIANCE**

(71) Applicant: **Prolitec Inc.**, Seattle, WA (US)

(72) Inventors: **Nathan Sward**, Wauwatosa, WI (US);
Juan Moncada, Seattle, WA (US)

(73) Assignee: **Prolitec, Inc.**, Seattle, WA (US)

(**) Term: **15 Years**

(21) Appl. No.: **29/767,119**

(22) Filed: **Jan. 20, 2021**

(51) **LOC (13) Cl.** **24-02**

(52) **U.S. Cl.**
USPC **D23/364**

(58) **Field of Classification Search**
USPC D23/355–366, 352, 369, 332, 333, 335,
D23/336, 342, 351; 422/120, 122;
55/356, 473, 504; 96/97; 261/DIG. 17,
261/DIG. 65, DIG. 88, DIG. 31
CPC .. A61L 9/16; A61L 9/22; B01D 47/00; B01D
47/027; B01D 2221/02; B01D 2259/4508;
B03C 3/155; B03C 3/368; F24F 3/16;
F24F 13/20; F24F 13/28
See application file for complete search history.

D801,508 S 10/2017 Weening et al.
D884,131 S * 5/2020 Zhu D23/335
D903,082 S * 11/2020 Arinsmier D23/366
D903,844 S * 12/2020 Chen D23/356
D912,236 S * 3/2021 Hernandez D23/364
D914,862 S * 3/2021 Makipaa D23/364
D930,136 S * 9/2021 Knight D23/365
D933,183 S * 10/2021 Leyden D23/366
D934,402 S * 10/2021 Fitsch D23/356
D936,200 S * 11/2021 Yang D23/364
D937,399 S * 11/2021 Sarkar D23/366
D940,845 S * 1/2022 Nakagawa D23/364
D943,725 S * 2/2022 Shalvi D23/364

* cited by examiner

Primary Examiner — David G Muller
(74) *Attorney, Agent, or Firm* — Seed IP Law Group LLP

(57) **CLAIM**

The ornamental design for an air treatment appliance, as shown and described.

DESCRIPTION

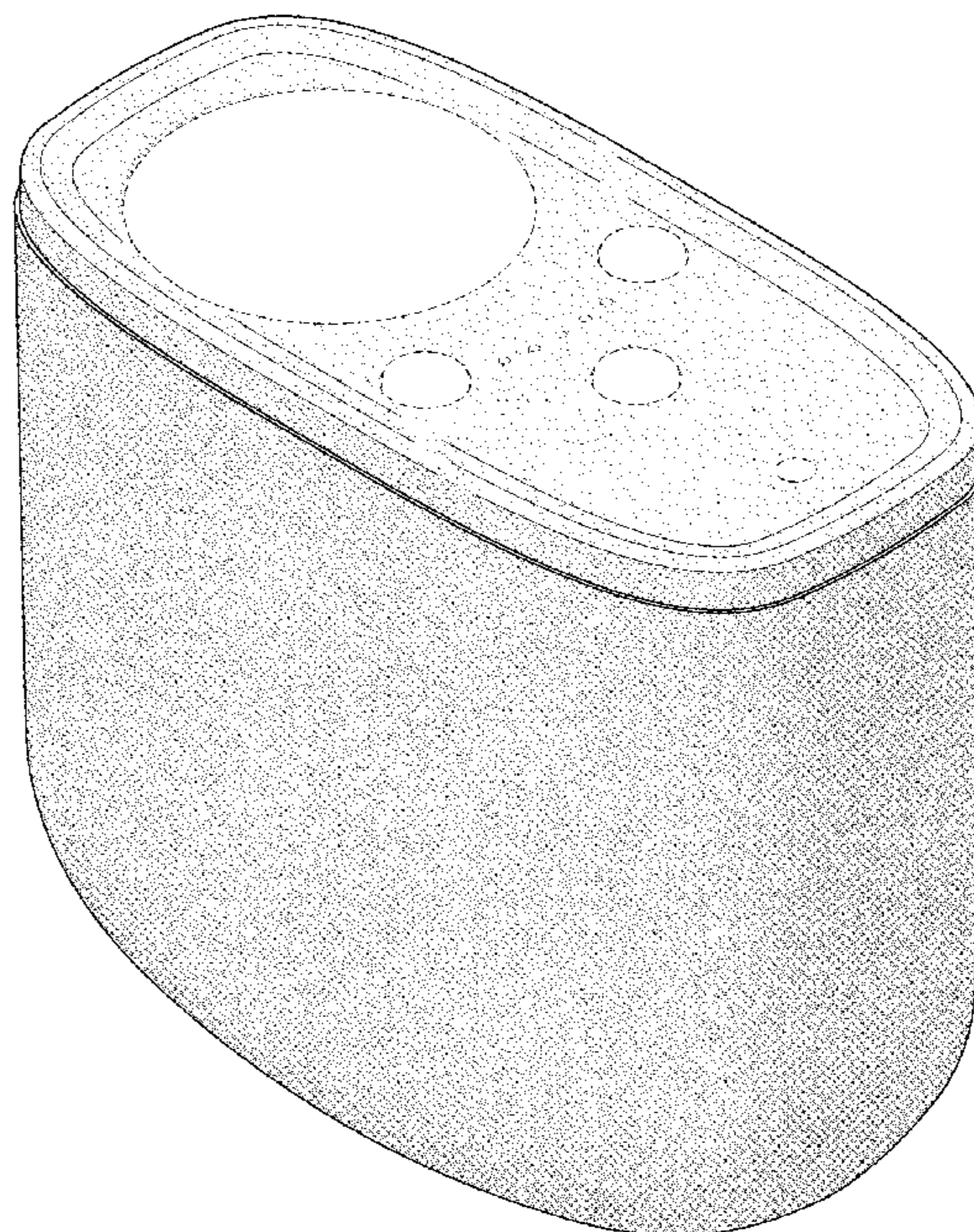
FIG. 1 is a top isometric view of an air treatment appliance, showing our new design.
FIG. 2 is a bottom isometric view thereof.
FIG. 3 is a front elevational view thereof.
FIG. 4 is a rear elevational view thereof.
FIG. 5 is a left side elevational view thereof.
FIG. 6 is a right side elevational view thereof.
FIG. 7 is a top plan view thereof; and,
FIG. 8 is a bottom plan view thereof.
In the drawings, stippling and tangency lines represent the three-dimensional contours of the design, and are not intended to indicate surface decoration. The broken lines shown in the drawings depict portions of the air treatment appliance that form no part of the claimed design.

1 Claim, 8 Drawing Sheets

(56) **References Cited**

U.S. PATENT DOCUMENTS

D384,734 S 10/1997 Ellwood
D450,817 S 11/2001 Fritz et al.
D572,351 S 7/2008 Lewis
D706,671 S 6/2014 Thuma et al.
D761,944 S 7/2016 Ediger et al.
9,486,552 B1 11/2016 Ansley et al.
D780,301 S 2/2017 Cartwright et al.
D797,913 S * 9/2017 Asvaintra D23/351



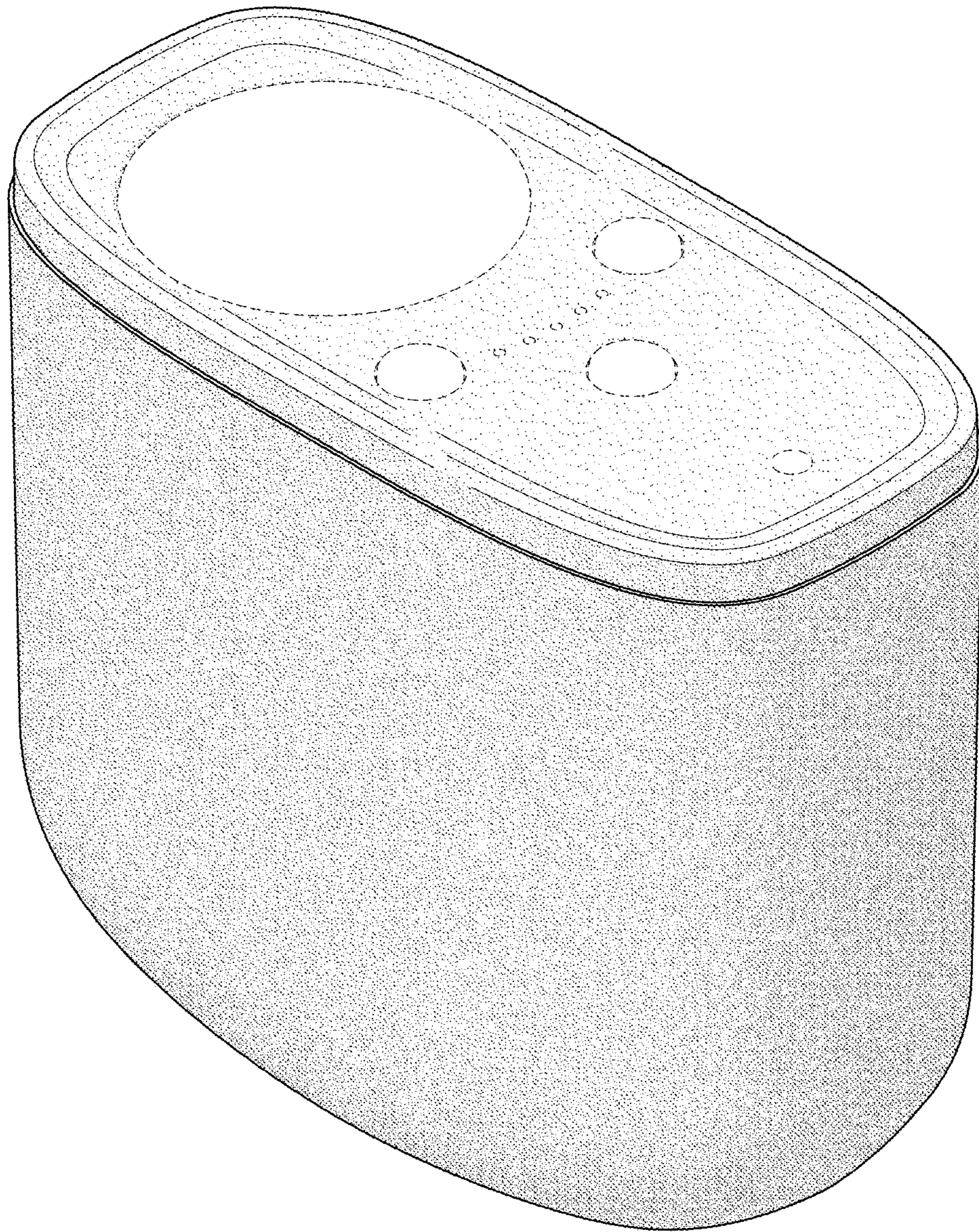


FIG. 1

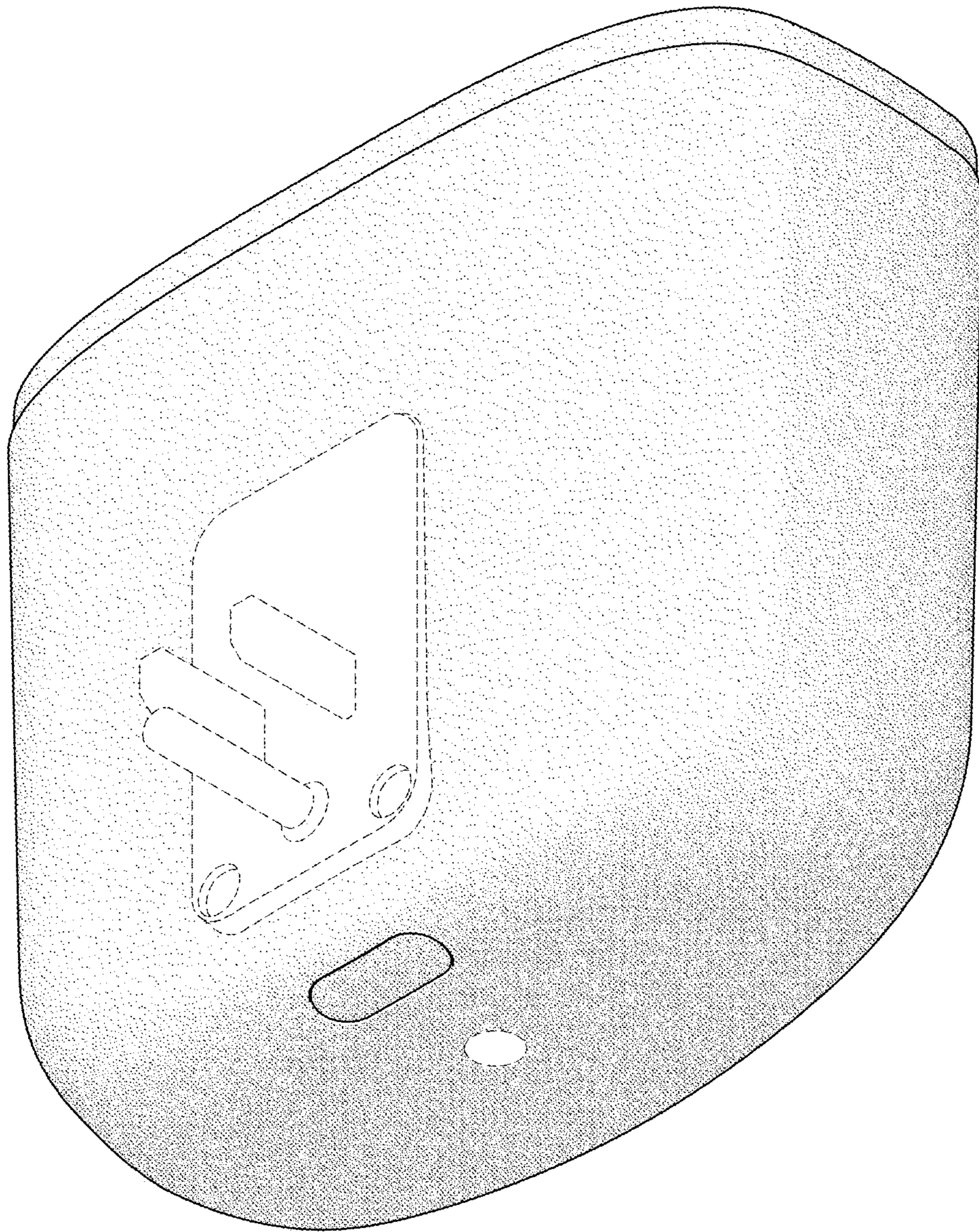


FIG. 2

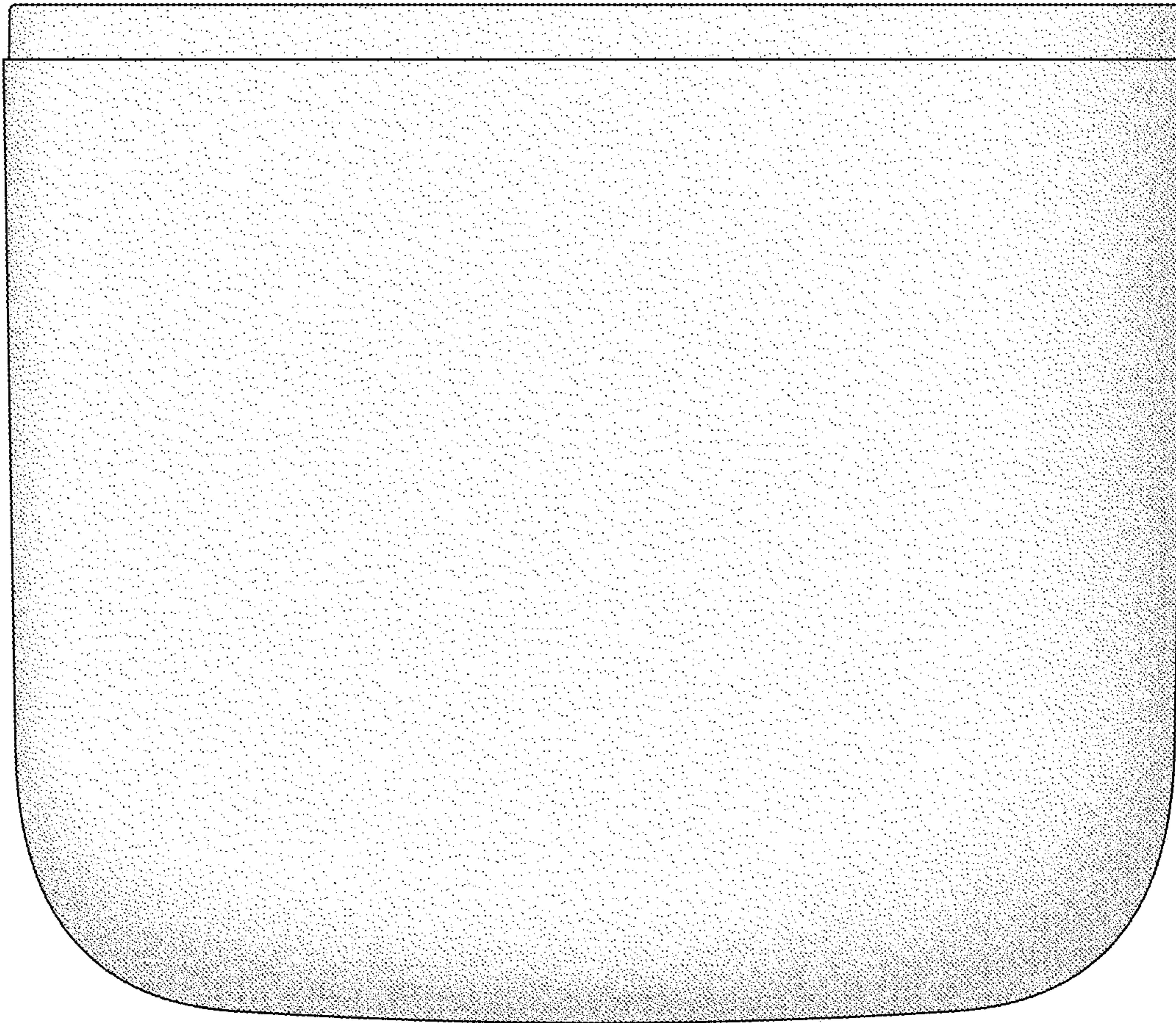


FIG. 3

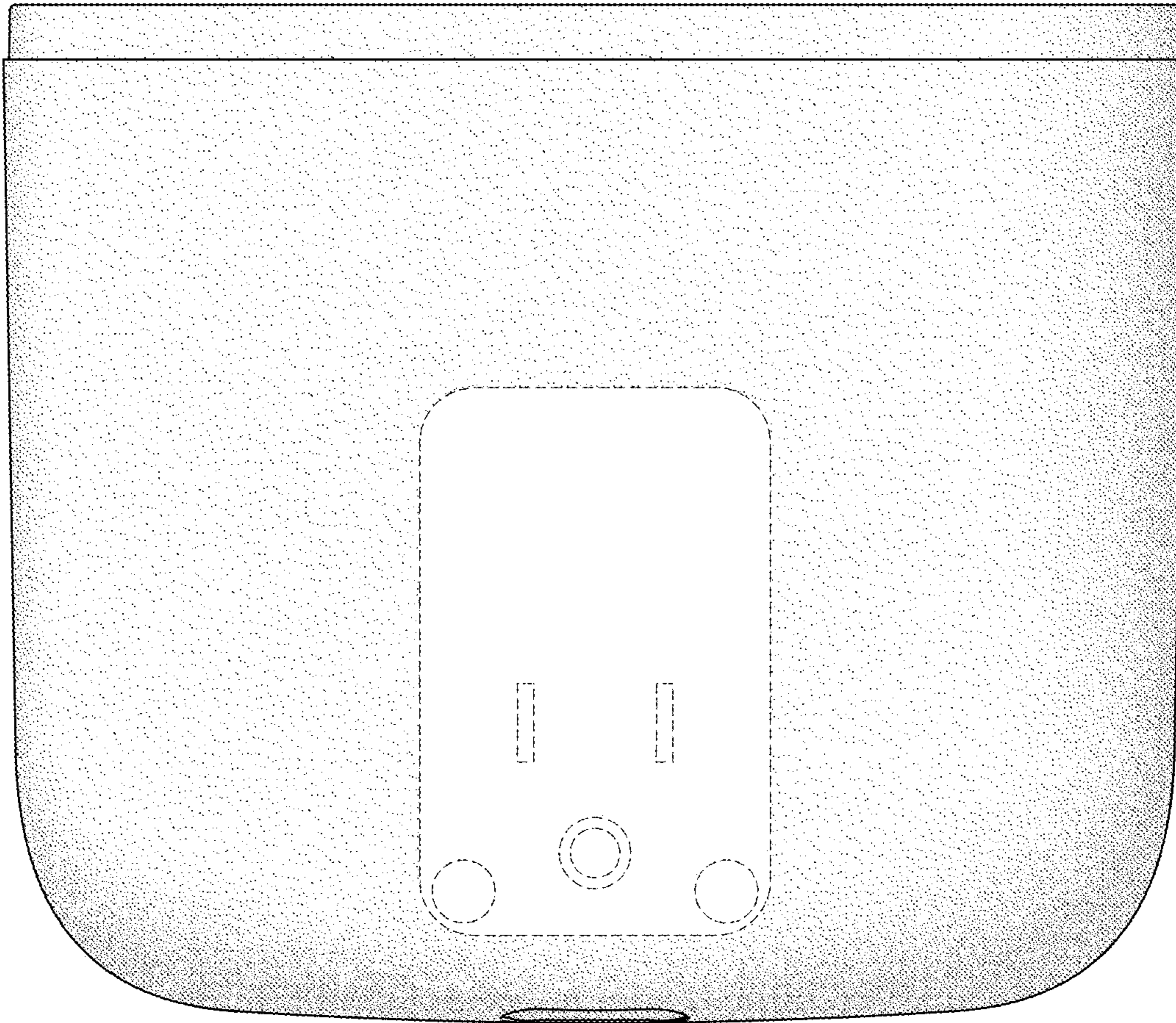


FIG. 4

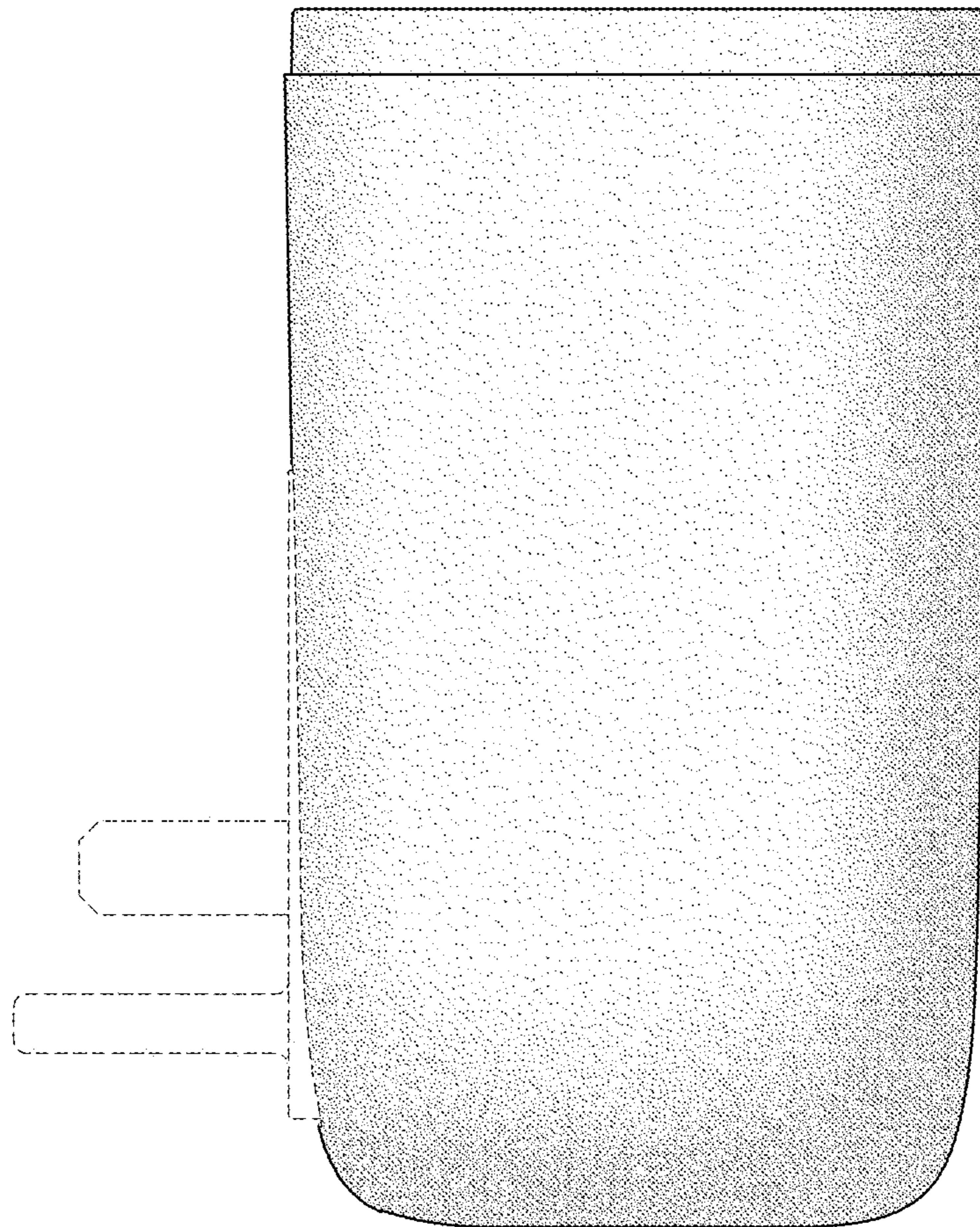


FIG. 5

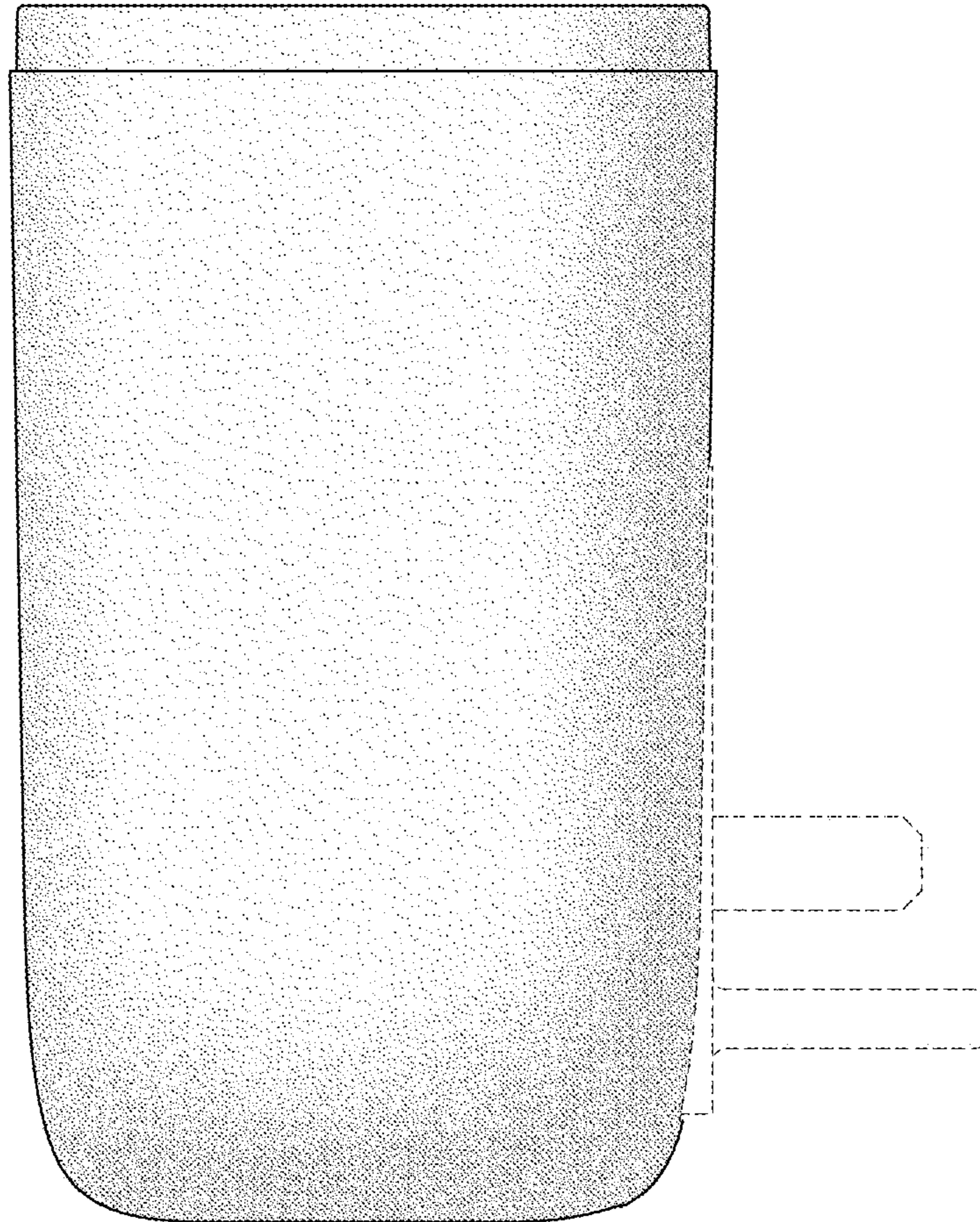


FIG. 6

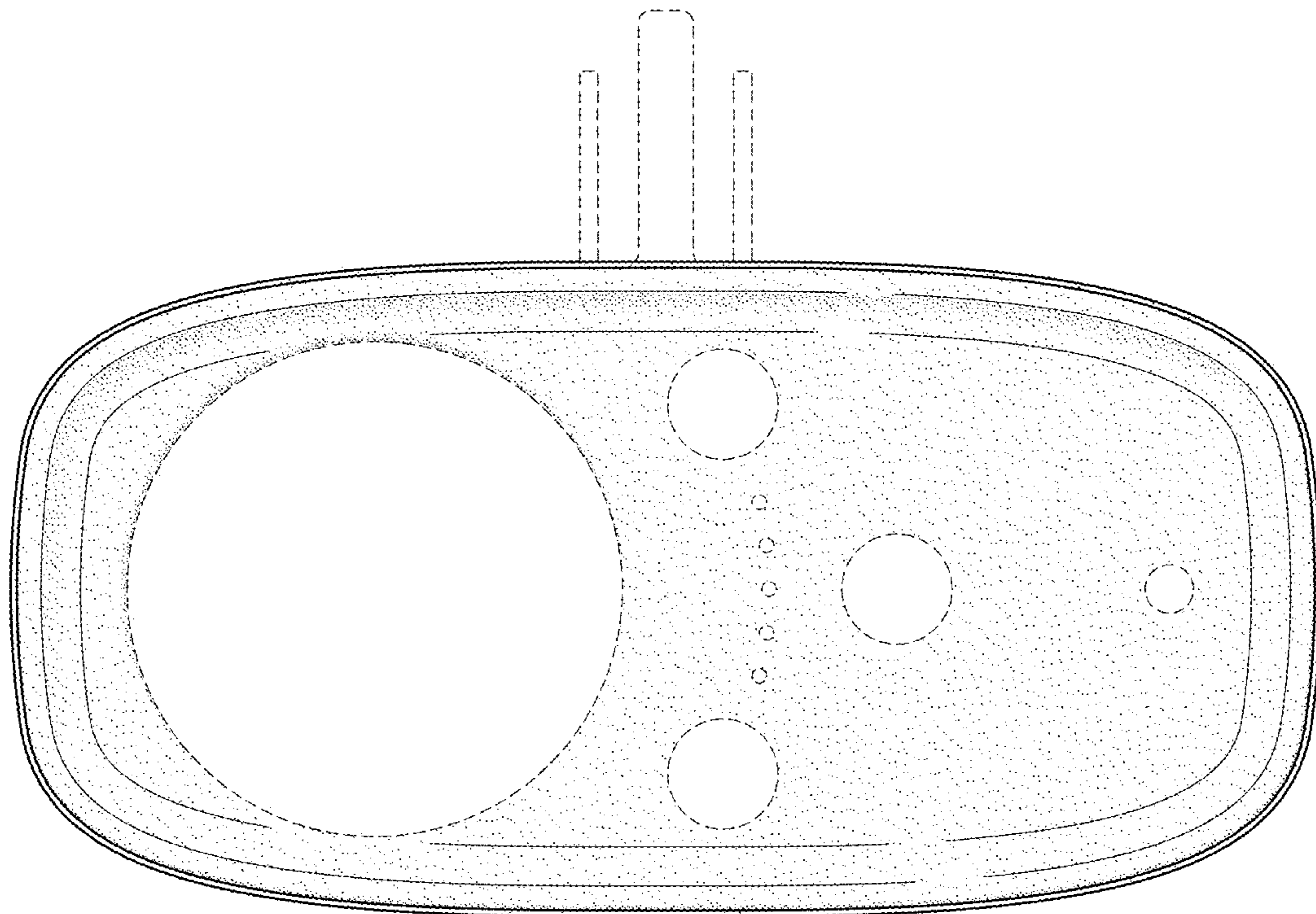


FIG. 7

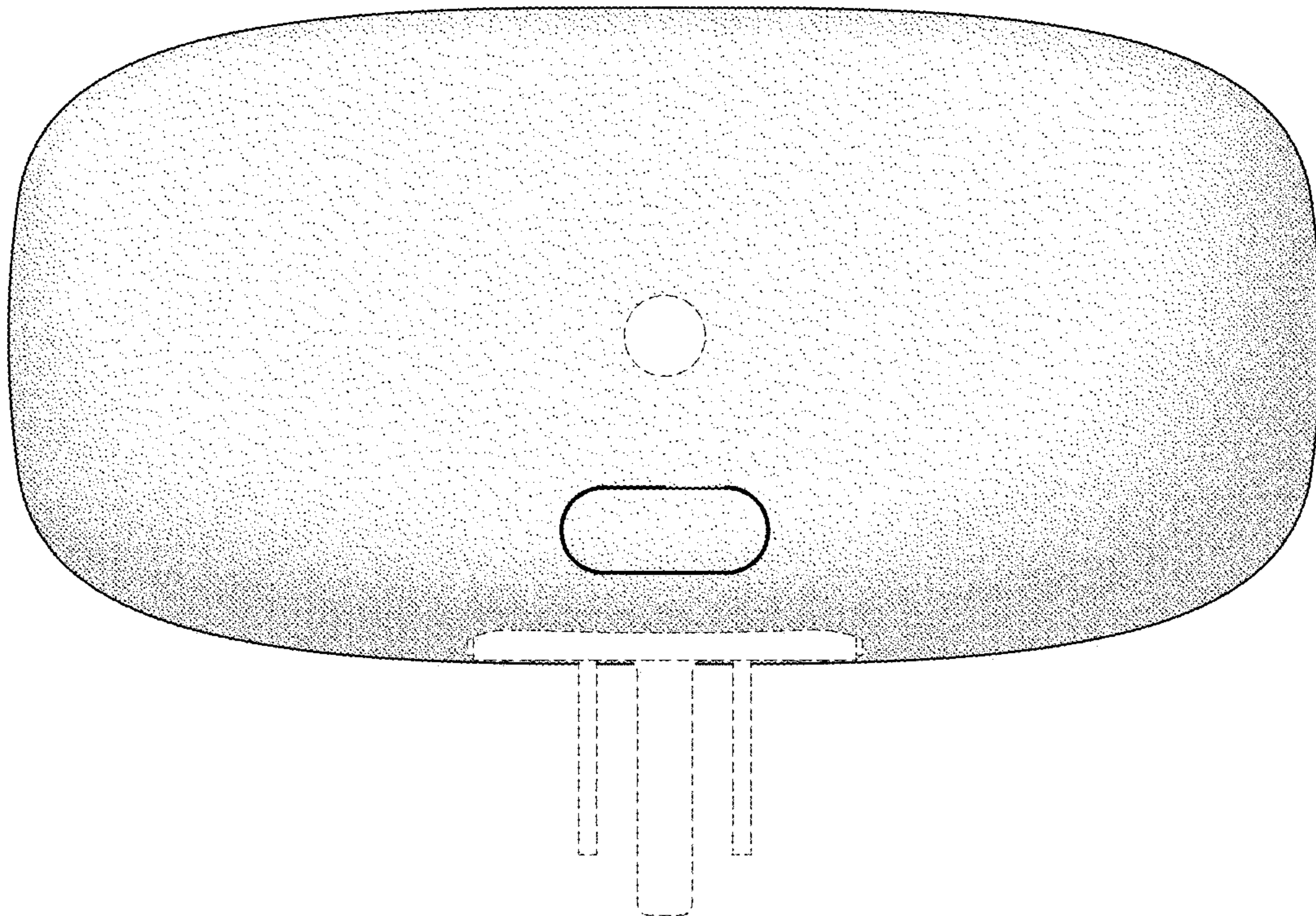


FIG. 8