



US00D958950S

(12) **United States Design Patent** (10) **Patent No.:** **US D958,950 S**
Yoon (45) **Date of Patent:** **** Jul. 26, 2022**

(54) **AIR CLEANER**

(71) Applicant: **WINIX INC.**, Siheung-si (KR)
(72) Inventor: **Chul Min Yoon**, Siheung-si (KR)
(73) Assignee: **WINIX INC.**, Siheung-si (KR)
(**) Term: **15 Years**
(21) Appl. No.: **29/735,254**

(22) Filed: **May 19, 2020**
(51) **LOC (13) Cl.** **23-04**
(52) **U.S. Cl.**
USPC **D23/364**
(58) **Field of Classification Search**
USPC D23/356, 359, 364-365, 378, 499
CPC F24F 1/029; F24F 1/035; F24F 1/0287;
F24F 6/06; F24F 6/14; F24F 13/06; F24F
13/20; F24F 13/222; F24F 3/16; F24F
3/1405; F24F 3/1603; A61L 9/03
See application file for complete search history.

(56) **References Cited**

U.S. PATENT DOCUMENTS

D549,811 S *	8/2007	Chen	D23/359
D556,309 S *	11/2007	Chiu	D23/333
D557,783 S *	12/2007	Yoo	D23/359
D835,248 S *	12/2018	Echeverri	D23/364
D840,012 S *	2/2019	Zhou	D23/359
D844,766 S *	4/2019	Miao	D23/364
D879,273 S *	3/2020	Shih	D23/364
D885,543 S *	5/2020	Wang	D23/364
D889,621 S *	7/2020	Huang	D23/364
D927,668 S *	8/2021	Huang	D23/364
D936,200 S *	11/2021	Yang	D23/364
D943,724 S *	2/2022	Nikitas	D23/364
2013/0109292 A1 *	5/2013	Yamashita	F24F 8/192 454/249

FOREIGN PATENT DOCUMENTS

CN	304894711	*	11/2018
HK	1913551-0003	*	10/2019

OTHER PUBLICATIONS

Winix AM90 Wi-Fi Air Purifier, Date unavailable [online], [site visited Mar. 7, 2022]. Available from internet, URL:<<https://www.amazon.com/Winix-PlasmaWave-Purifier-Capacity-Replenishment/dp/B07KQBNM7H>> (Year: 2022).
Air Purifiers for Home Large Room, first available Nov. 17, 2019 [online], [site visited Jan. 11, 2022]. Available from internet, URL:<<https://www.amazon.com/Purifiers-4-Stage-Eliminator-Fresheners-Apartment/dp/B08XBSJY8M>> (Year: 2019).*

* cited by examiner

Primary Examiner — Barbara Fox

Assistant Examiner — Jamaal Rasheed

(74) *Attorney, Agent, or Firm* — Lewis Roca Rothgerber Christie LLP

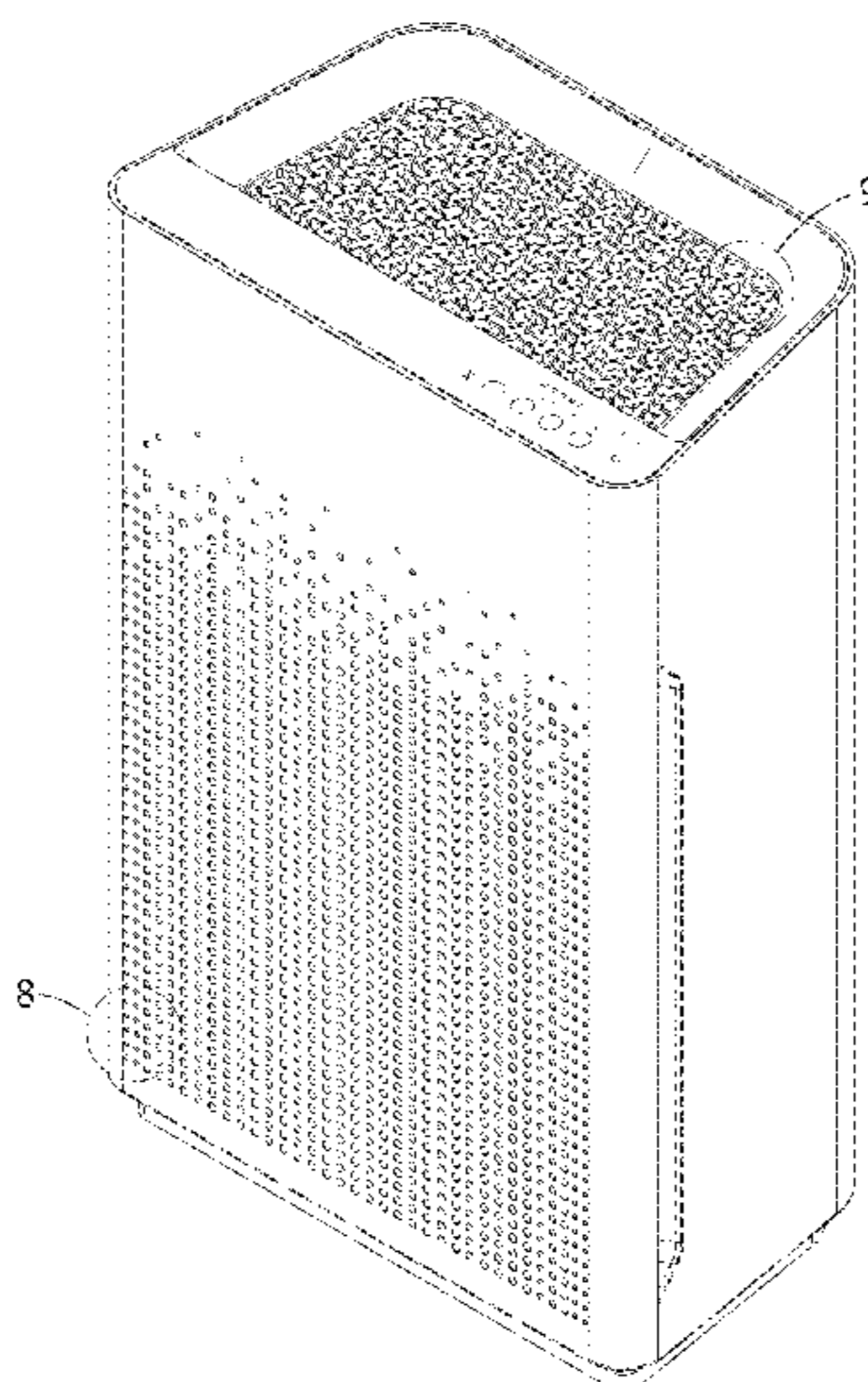
(57) **CLAIM**

The ornamental design for an air cleaner, as shown and described.

DESCRIPTION

FIG. 1 is a front, top, and right side perspective view of an air cleaner;
FIG. 2 is a front view thereof;
FIG. 3 is a rear view thereof;
FIG. 4 is a left-side view thereof;
FIG. 5 is a right-side view thereof;
FIG. 6 is a top view thereof;
FIG. 7 is a bottom view thereof;
FIG. 8 is an enlarged view of the encircled portion shown in FIG. 1; and,
FIG. 9 is an enlarged view of the encircled portion shown in FIG. 1.
The dash-dot broken lines showing the enlargements in FIGS. 1, 8, and 9 form no part of the claimed design.

1 Claim, 7 Drawing Sheets



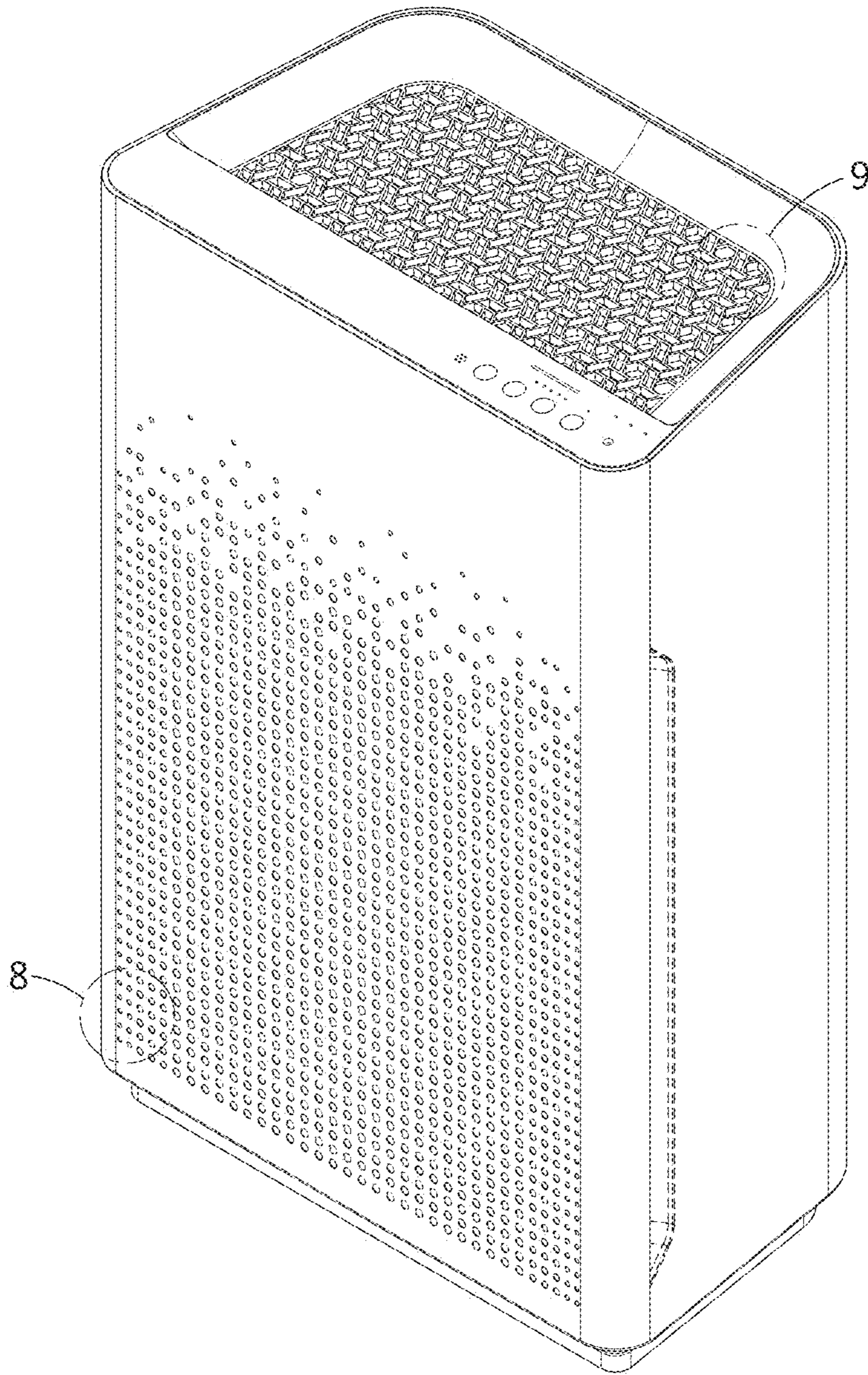


FIG. 1

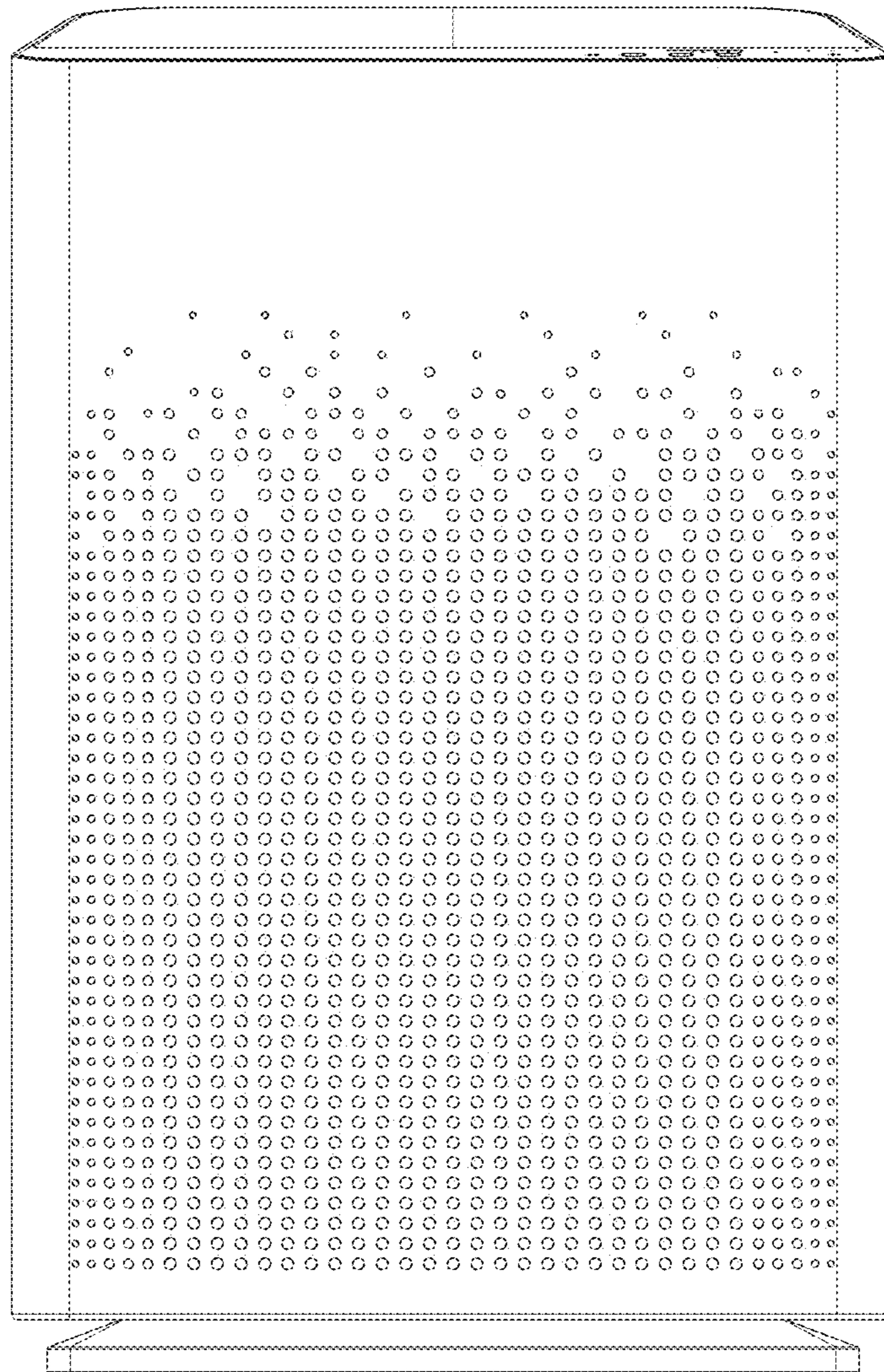


FIG. 2

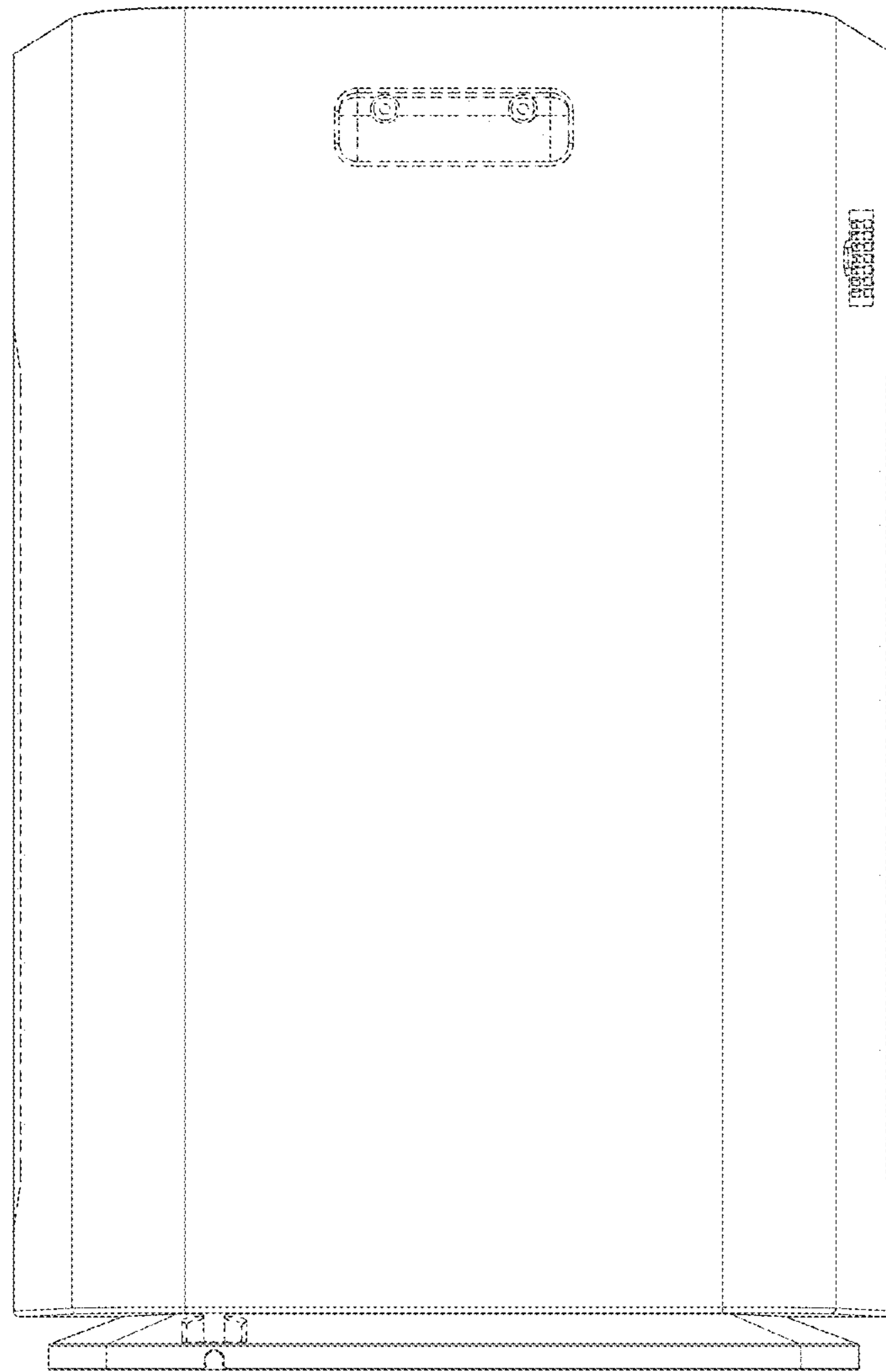


FIG. 3

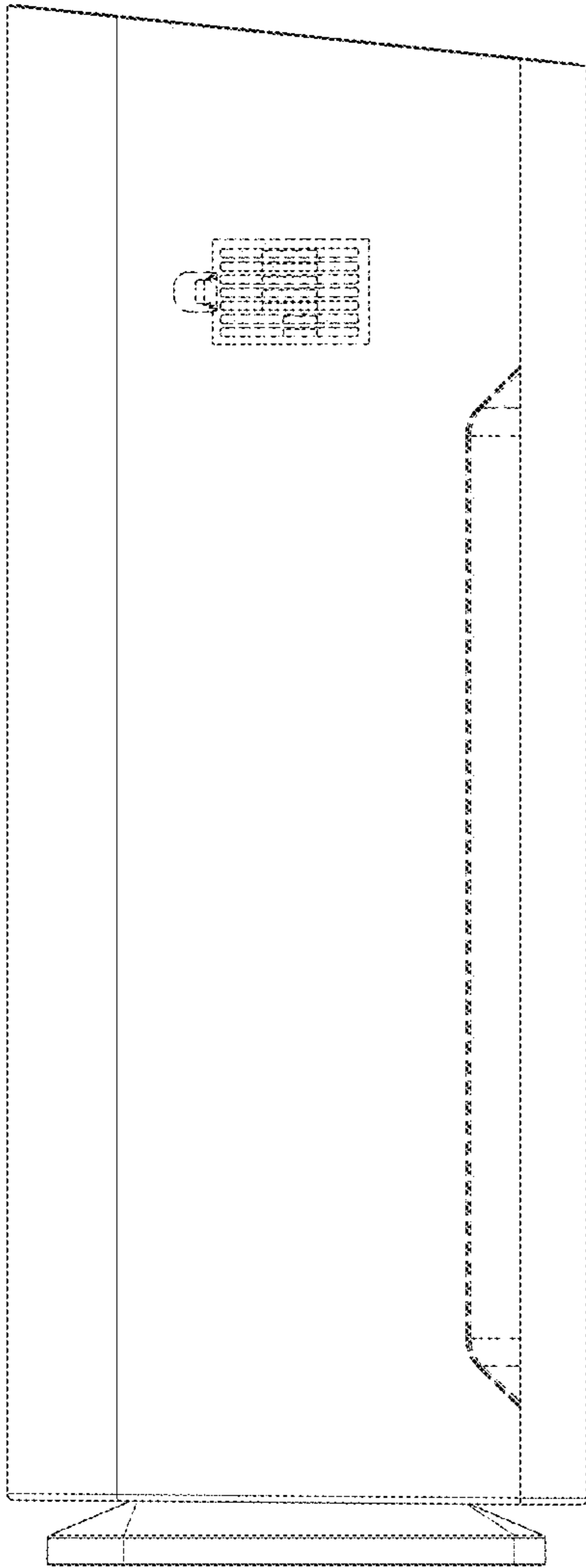


FIG. 4

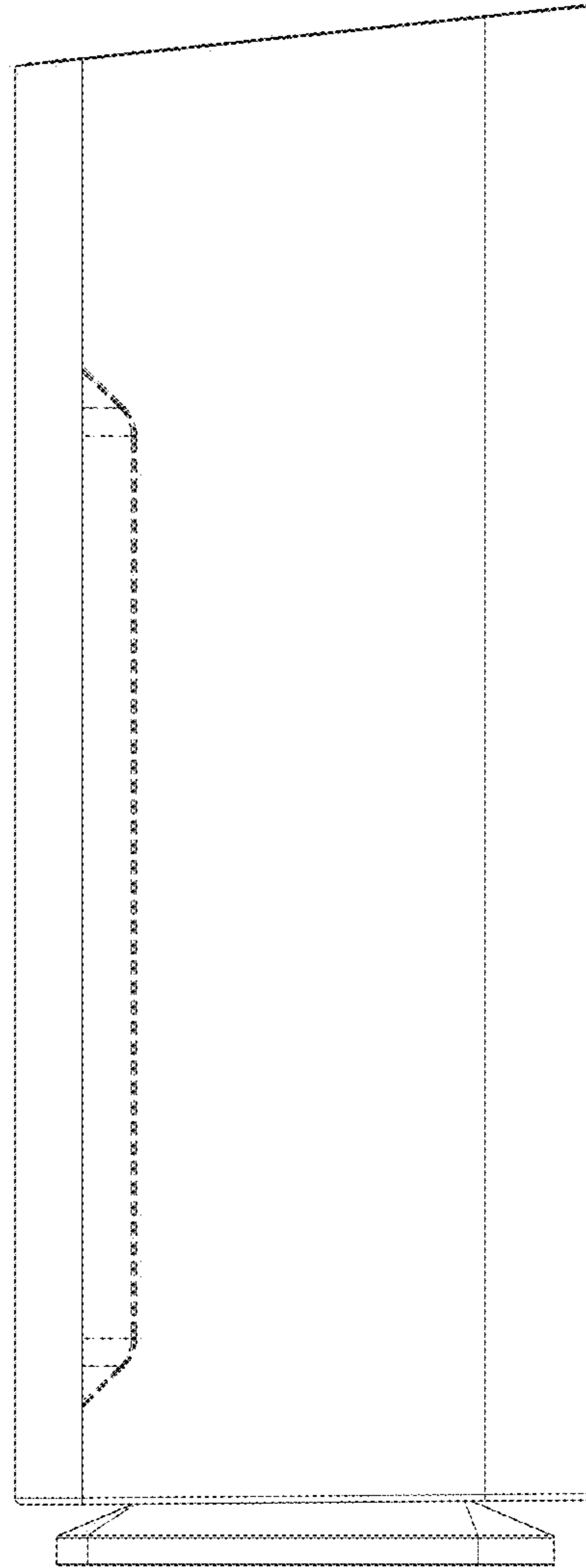


FIG. 5

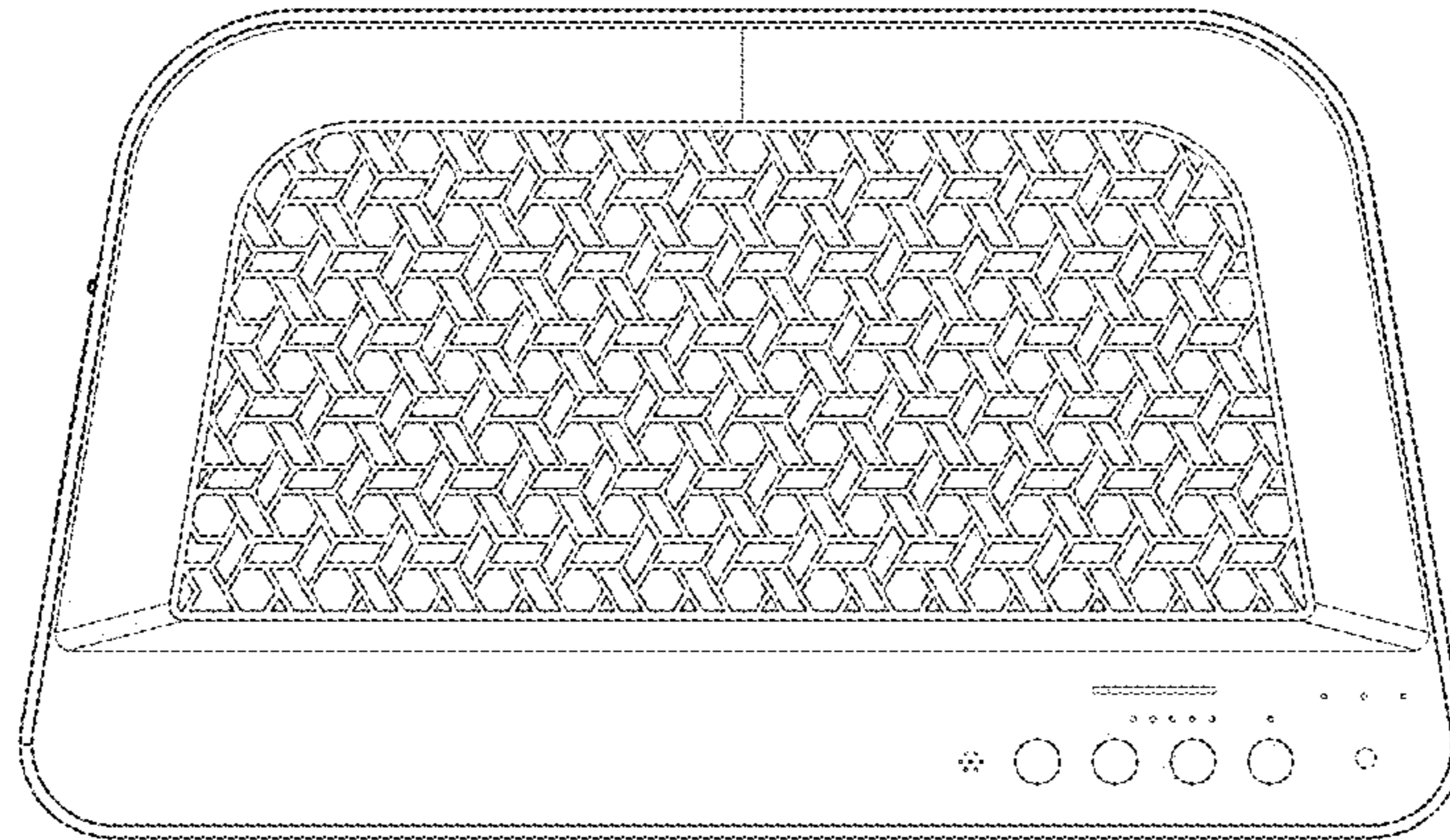


FIG. 6

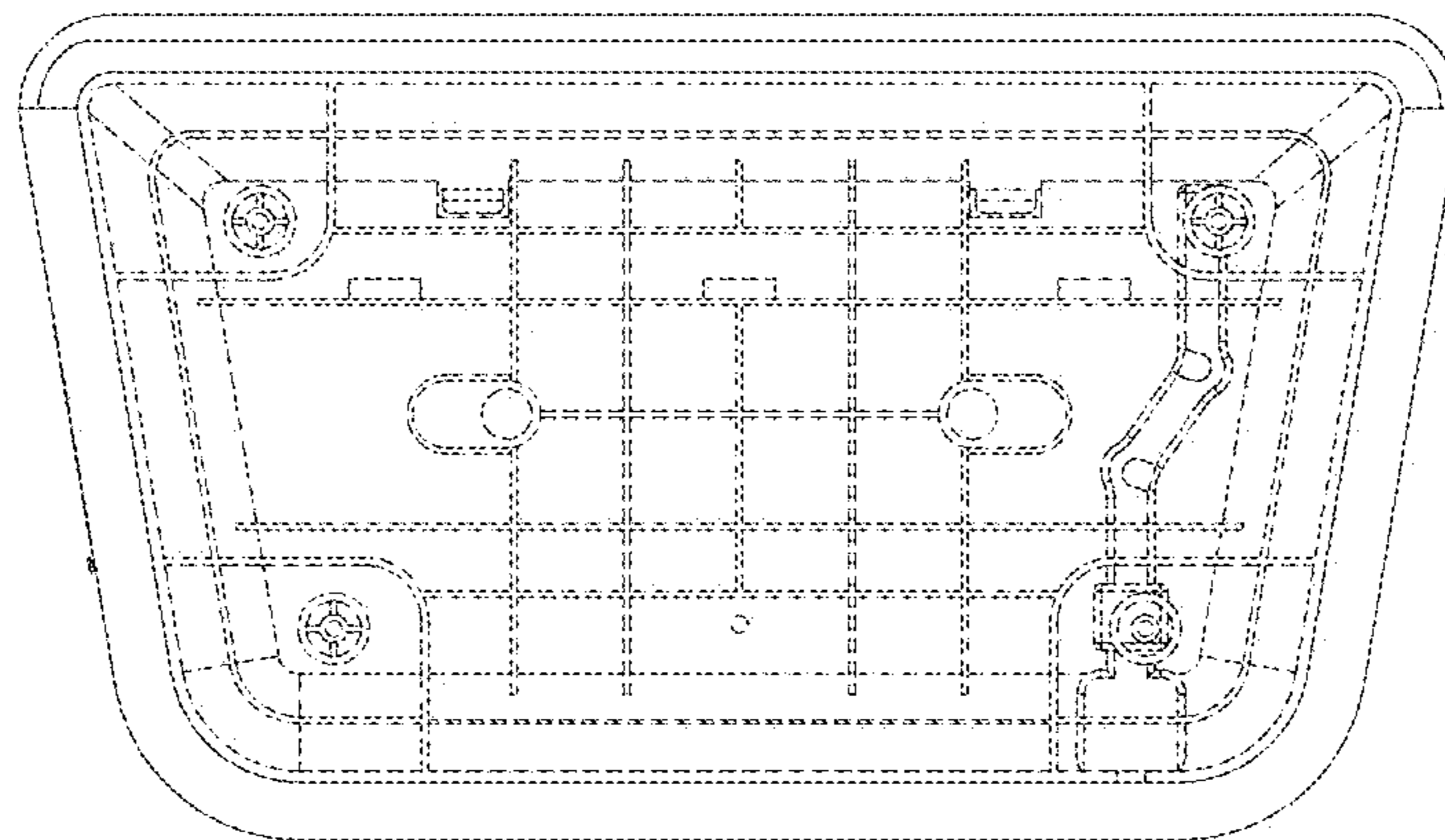


FIG. 7

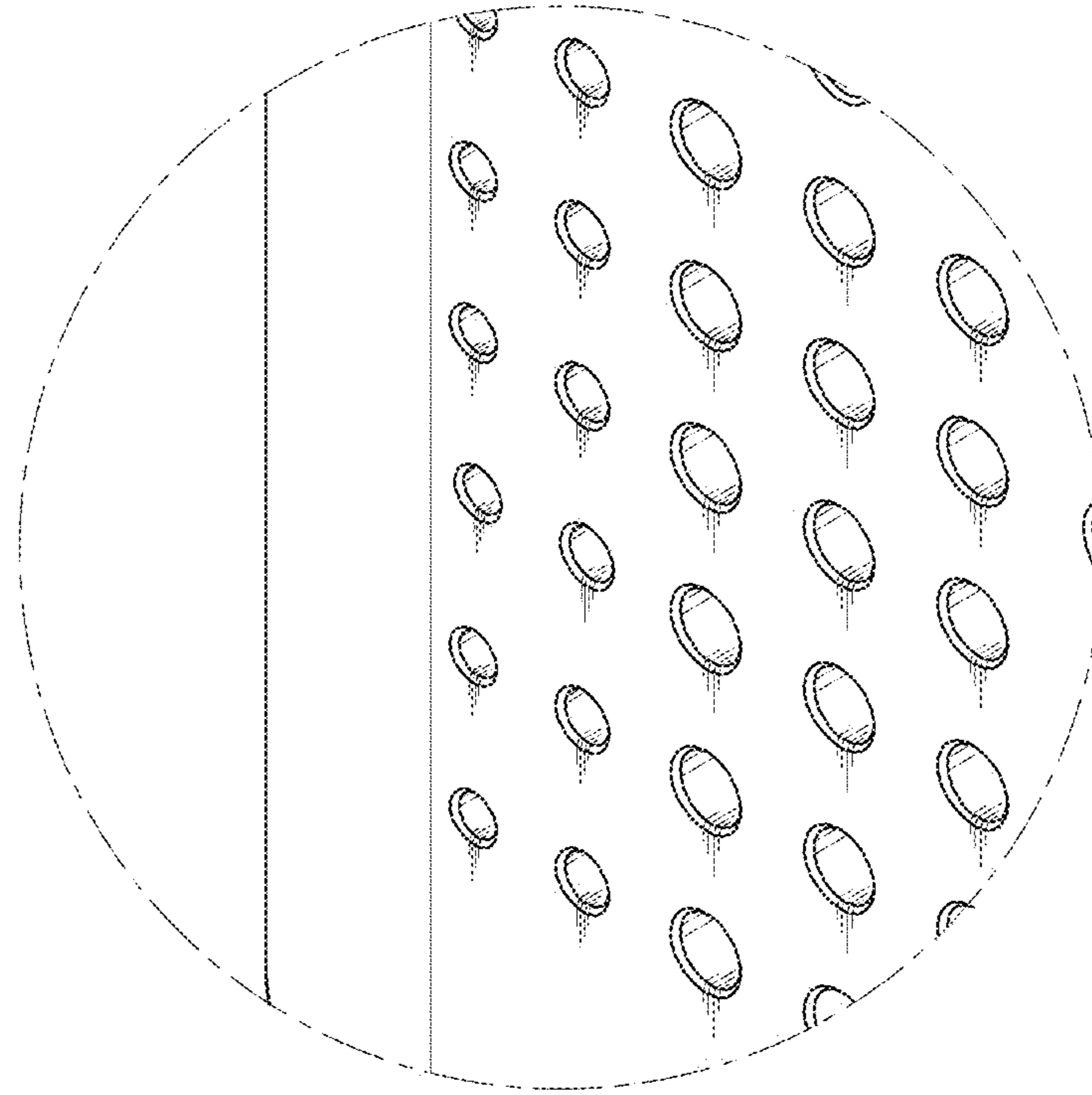


FIG. 8

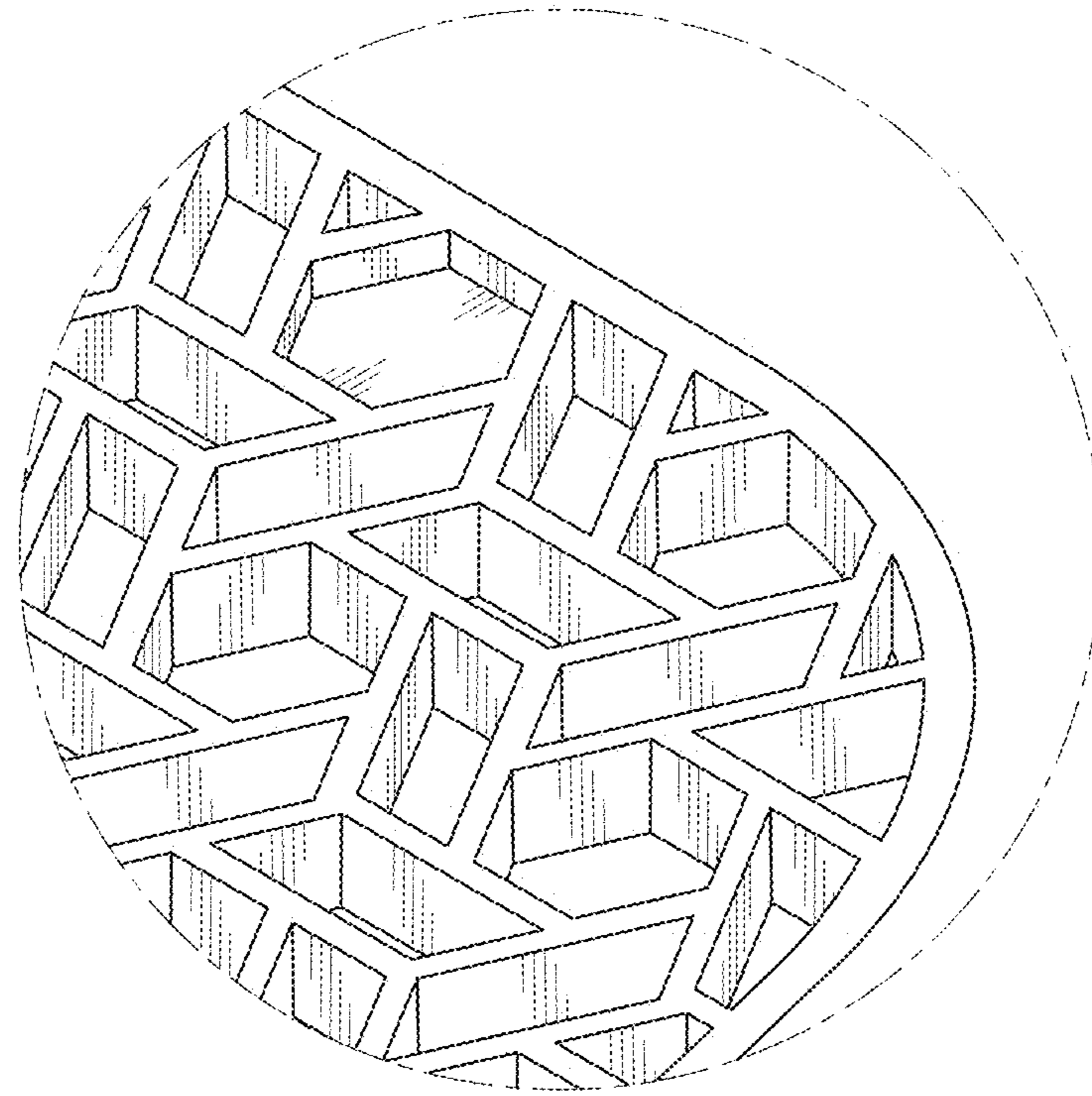


FIG. 9