



US00D958949S

(12) **United States Design Patent**
Seo et al.

(10) **Patent No.:** **US D958,949 S**

(45) **Date of Patent:** **** Jul. 26, 2022**

(54) **COVER FOR AIR PURIFIER**

(71) Applicant: **MIRO CO., Ltd.**, Incheon (KR)

(72) Inventors: **Dong Jin Seo**, Incheon (KR); **Yong Ju Oh**, Incheon (KR); **Min Seok Kim**, Seoul (KR)

(73) Assignee: **MIRO CO., LTD.**, Incheon (KR)

(**) Term: **15 Years**

(21) Appl. No.: **29/730,234**

(22) Filed: **Apr. 2, 2020**

(30) **Foreign Application Priority Data**

Oct. 4, 2019 (KR) 30-2019-0047568

(51) **LOC (13) Cl.** **23-04**

(52) **U.S. Cl.**
USPC **D23/364**

(58) **Field of Classification Search**
USPC D23/355-366, 352, 369, 332, 333, 335,
D23/336, 342, 351; 422/120, 122;
55/356, 473, 504; 96/97; 261/DIG. 17,
261/DIG. 65, DIG. 88, DIG. 31
CPC .. A61L 9/16; A61L 9/22; B01D 47/00; B01D
47/027; B01D 2221/02; B01D 2259/4508;
B03C 3/155; B03C 3/368; F24F 3/16;
F24F 13/20; F24F 13/28
See application file for complete search history.

(56) **References Cited**

U.S. PATENT DOCUMENTS

D798,430 S * 9/2017 Nord D23/364
D831,811 S * 10/2018 Cho D23/364

D835,765 S *	12/2018	Chen	D23/364
D882,056 S *	4/2020	Baillie	D23/364
D886,272 S *	6/2020	Yang	D23/364
D886,975 S *	6/2020	Yang	D23/364
D890,905 S *	7/2020	Farone	D23/364
D905,220 S *	12/2020	Farone	D23/364
D906,501 S *	12/2020	Lim	D23/364
D918,371 S *	5/2021	Zeng	D23/364
D919,071 S *	5/2021	Zheng	D23/364
D921,869 S *	6/2021	Han	D23/364
D928,298 S *	8/2021	Zuo	D23/364

* cited by examiner

Primary Examiner — David G Muller

(74) *Attorney, Agent, or Firm* — Sughrue Mion, PLLC

(57) **CLAIM**

The ornamental design for a cover for air purifier, as shown and described.

DESCRIPTION

FIG. 1 is a perspective view of a cover for air purifier showing my new design;
FIG. 2 is a front view thereof;
FIG. 3 is a rear view thereof;
FIG. 4 is a left side view thereof;
FIG. 5 is a right side view thereof;
FIG. 6 is a top view thereof; and,
FIG. 7 is a bottom view thereof.
The broken lines shown in the drawings are for the purpose of illustrating portions of the article and form no part of the claimed design.

1 Claim, 7 Drawing Sheets

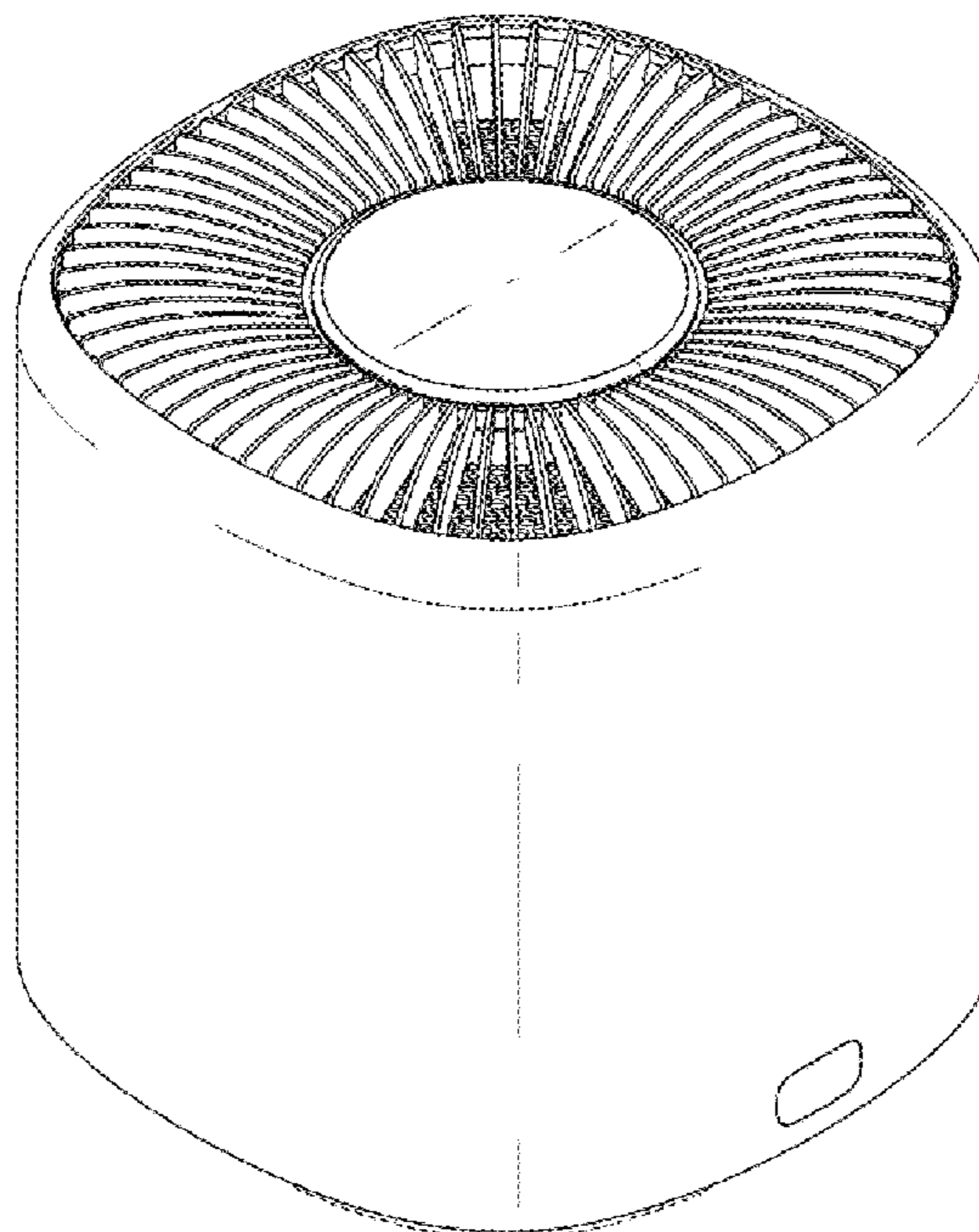


FIG. 1

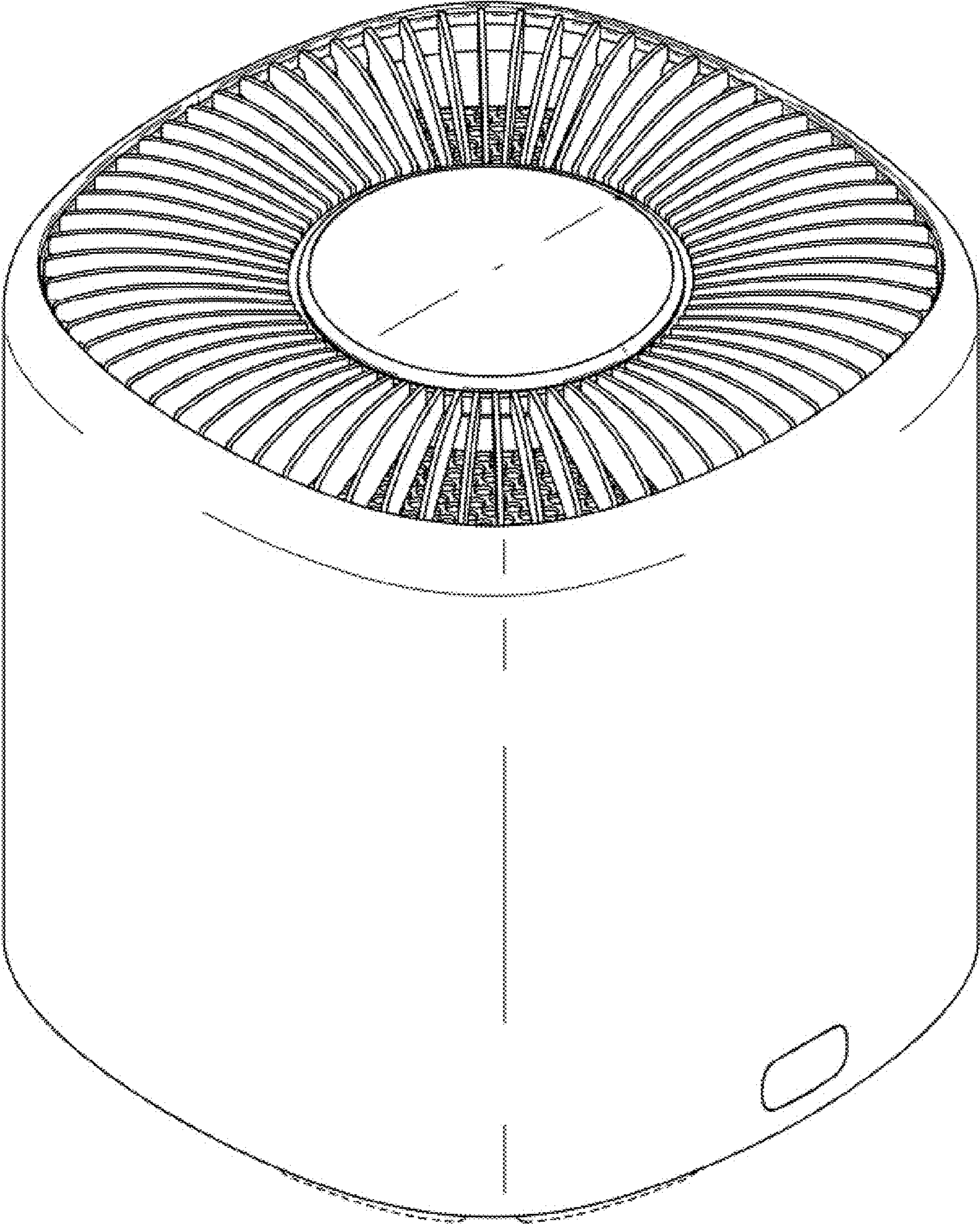


FIG. 2

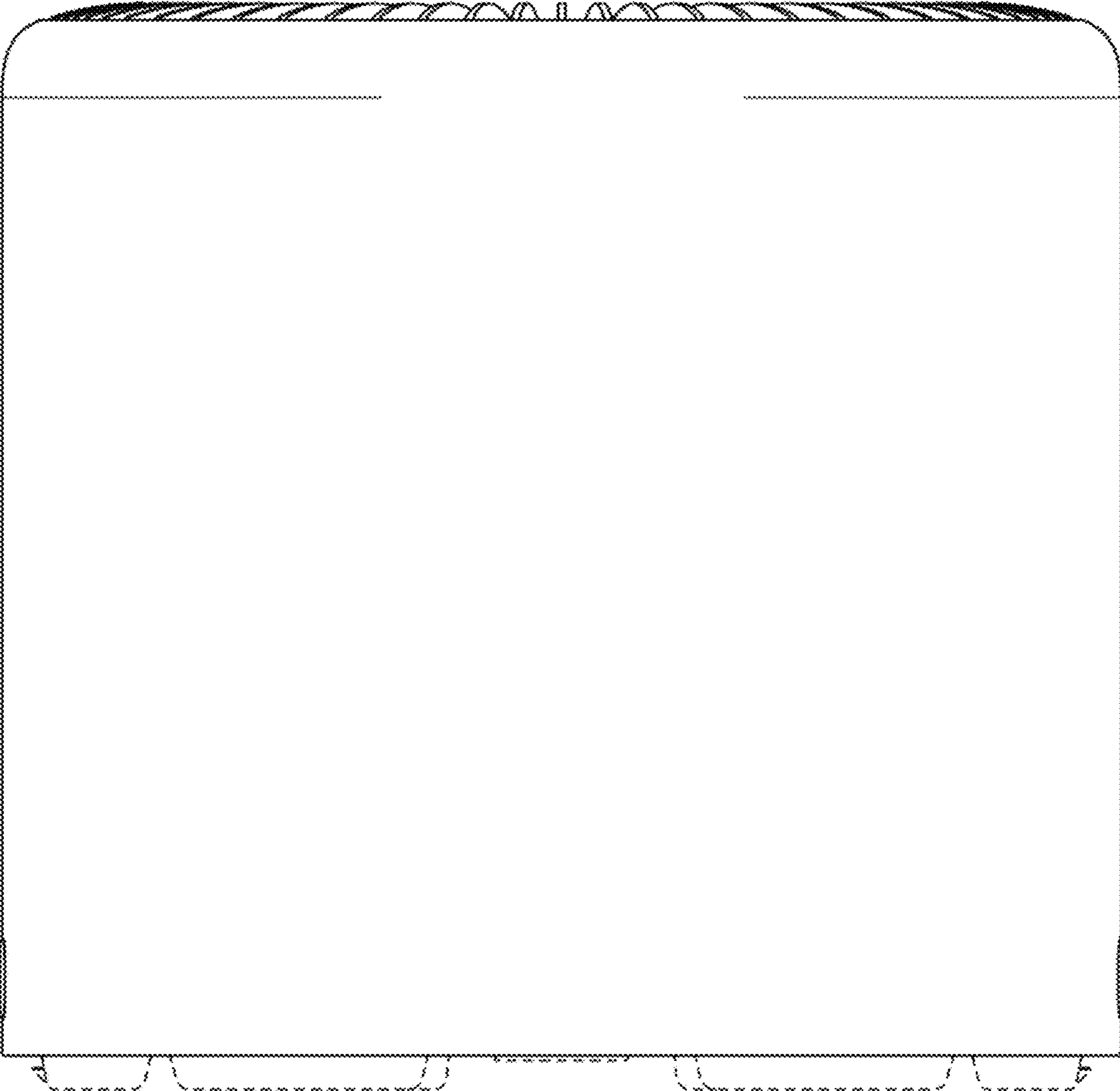


FIG. 3

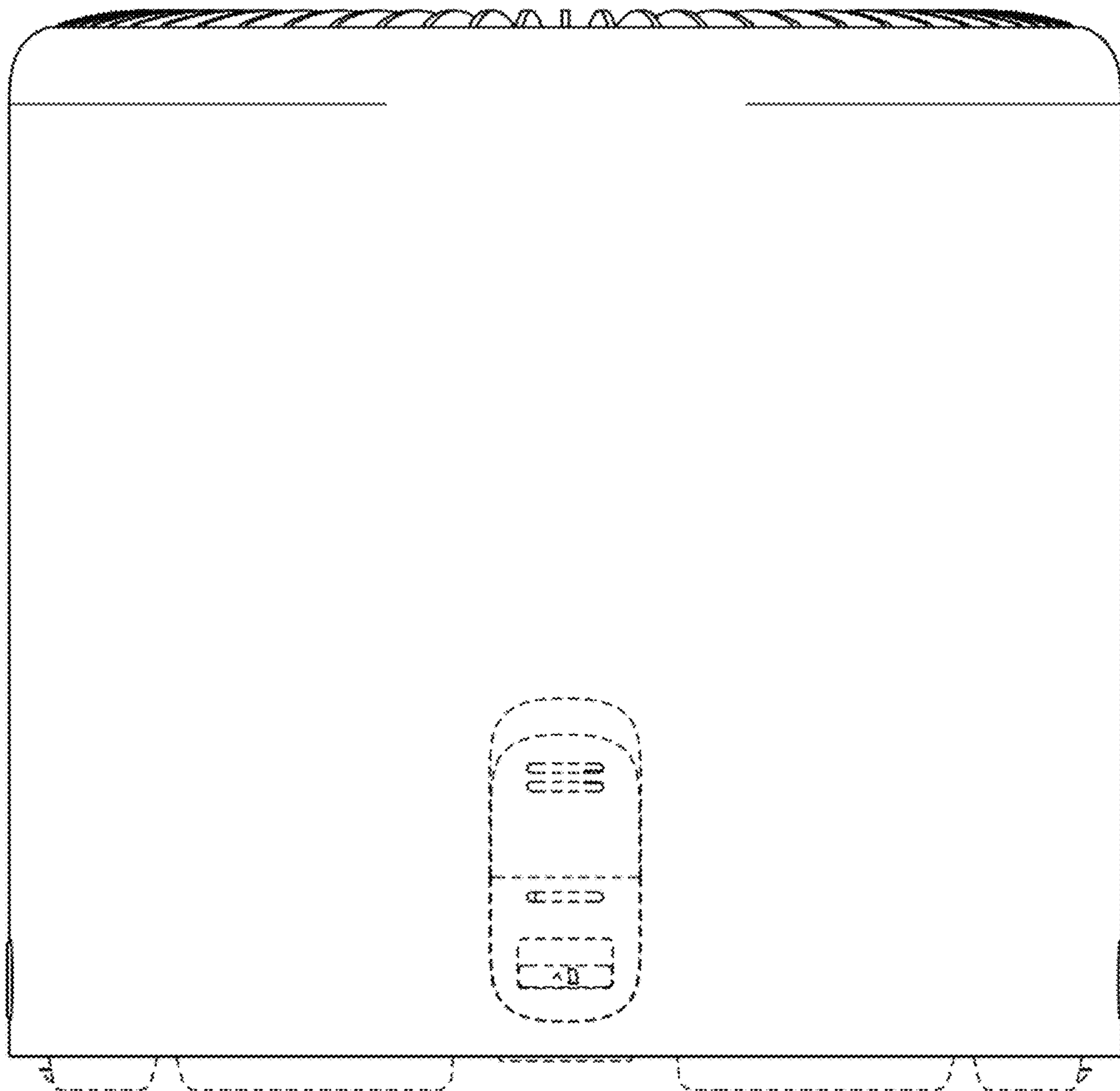


FIG. 4

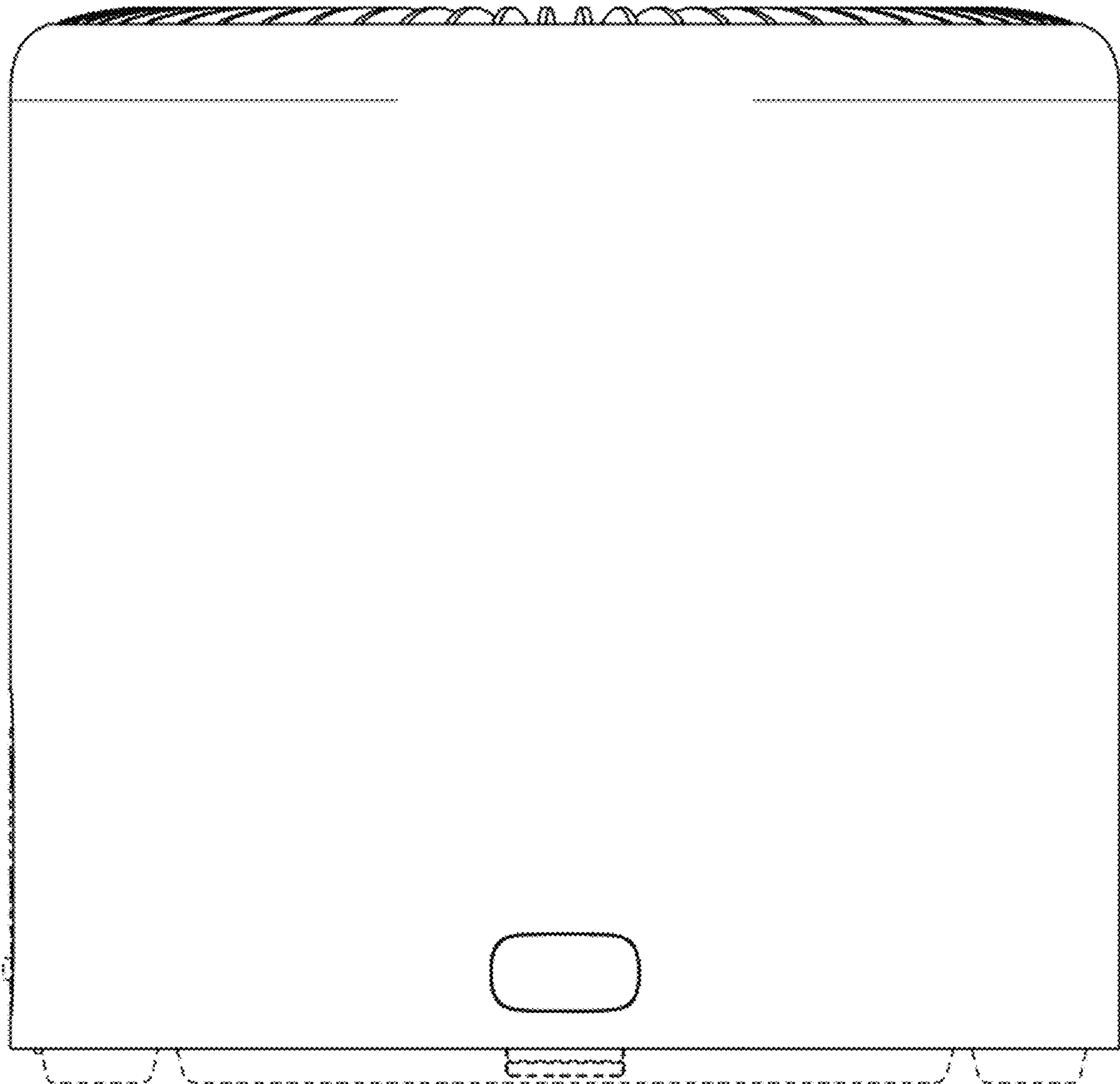


FIG. 5

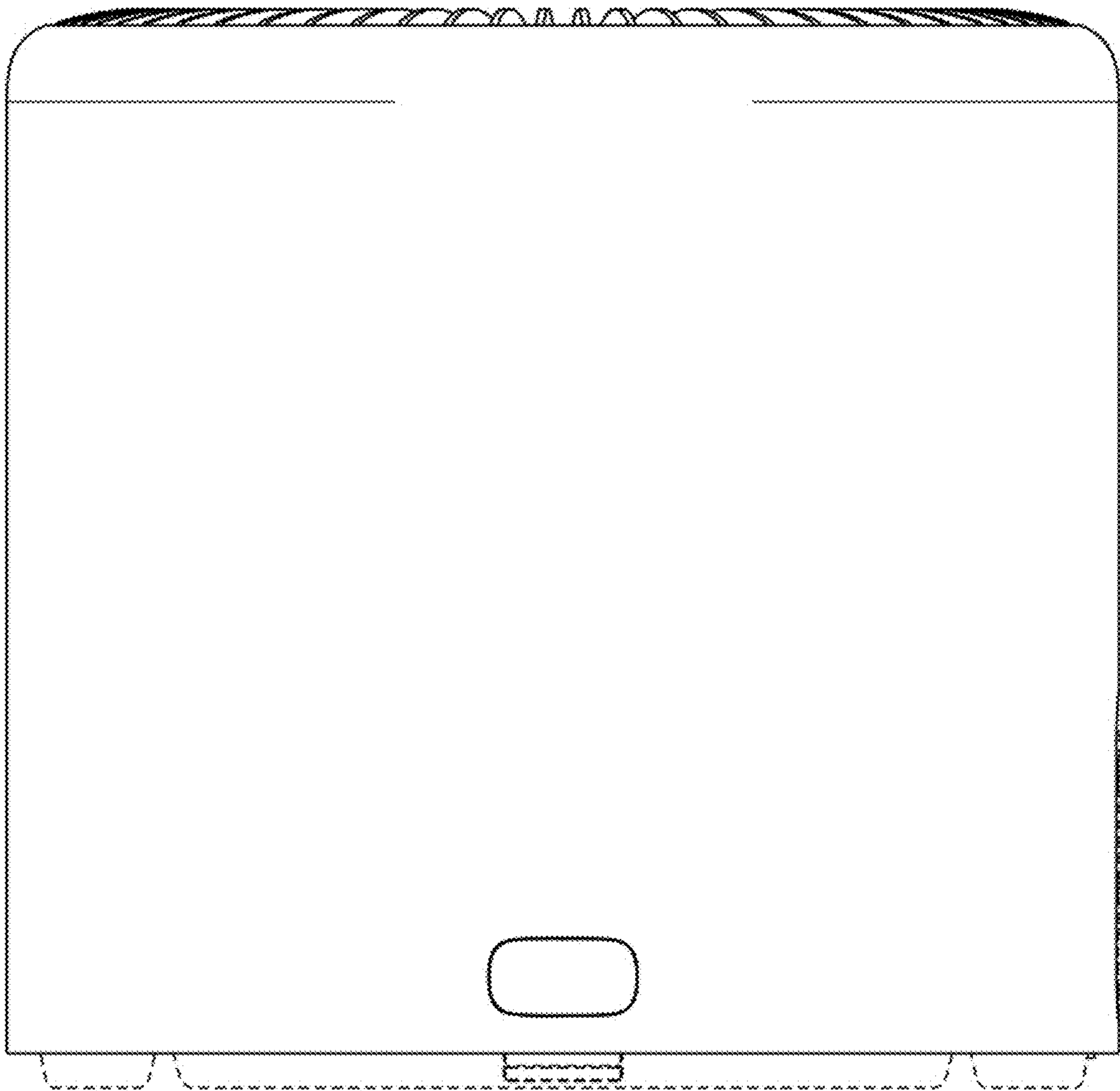


FIG. 6

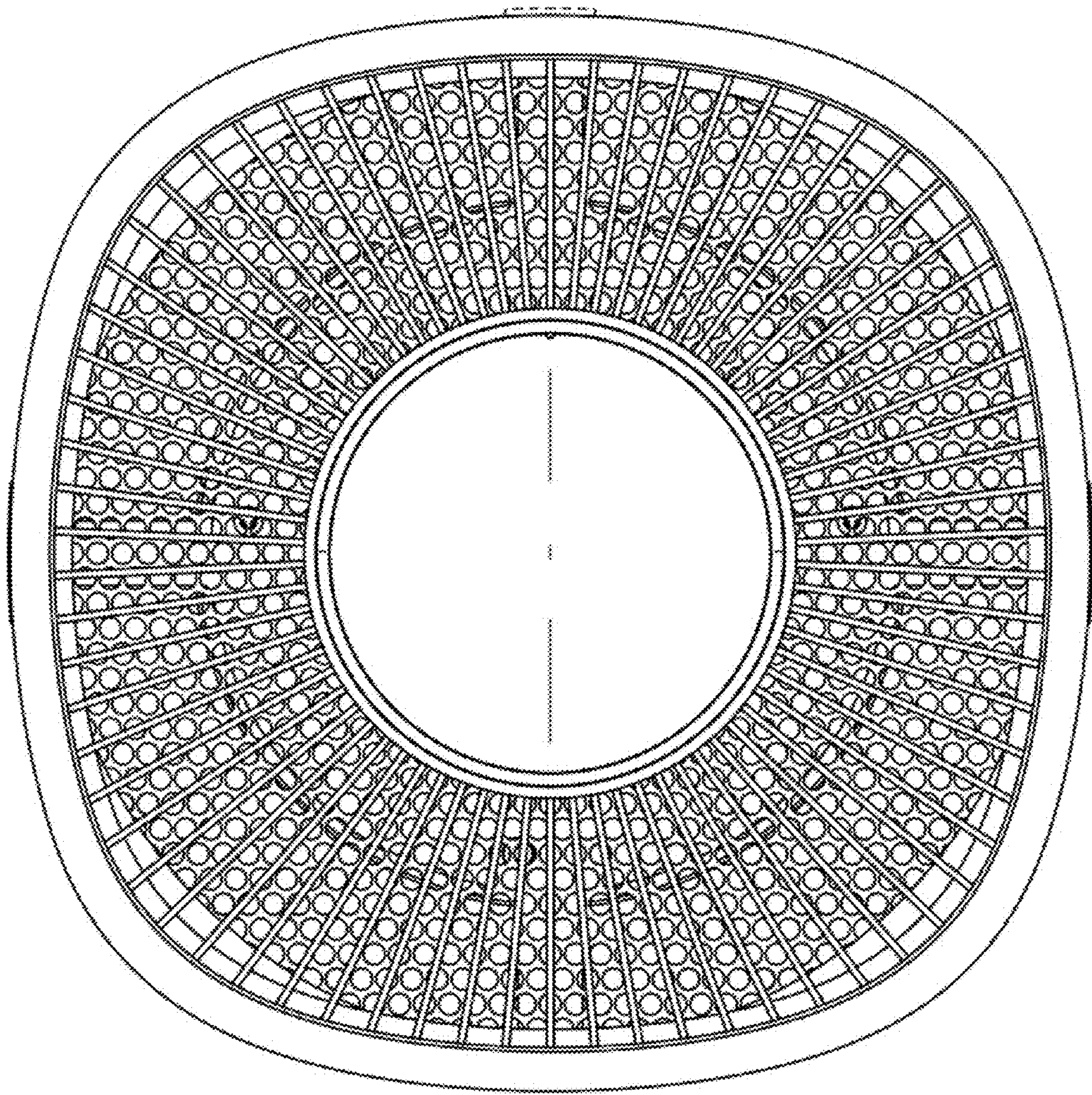


FIG. 7

