



US00D958948S

(12) **United States Design Patent**
Ho et al.

(10) **Patent No.:** **US D958,948 S**

(45) **Date of Patent:** **** Jul. 26, 2022**

(54) **AIR CLEANING APPARATUS**
(71) Applicant: **Danfoss A/S**, Nordborg (DK)
(72) Inventors: **Su Cheong Ho**, Nordborg (DK); **Detlef Matzen**, Nordborg (DK); **Artem Tsvetkov**, Nordborg (DK)

(73) Assignee: **Danfoss A/S**, Nordborg (DK)

(**) Term: **15 Years**

(21) Appl. No.: **29/711,851**

(22) Filed: **Nov. 4, 2019**

(30) **Foreign Application Priority Data**

May 6, 2019 (EM) 006427191

(51) **LOC (13) Cl.** **23-04**

(52) **U.S. Cl.**
USPC **D23/364**

(58) **Field of Classification Search**
USPC D23/351, 355, 364, 365, 370
CPC ... A61L 9/16; B01D 47/00; B01D 2259/4508;
B01D 47/027; F24F 13/20
See application file for complete search history.

(56) **References Cited**

U.S. PATENT DOCUMENTS

D430,928 S * 9/2000 Lafond D23/364
D465,567 S * 11/2002 Choi D23/364
D497,664 S * 10/2004 Puri D23/364
D603,032 S * 10/2009 Okamoto D23/364
D629,879 S * 12/2010 Paterson D23/364

D690,803 S * 10/2013 Koivisto D23/364
D704,321 S * 5/2014 Jardine D23/365
D742,495 S * 11/2015 Mathews D23/364
D745,129 S * 12/2015 Nakagawa D23/364
D780,900 S * 3/2017 Dichraff D23/364
D797,915 S * 9/2017 Lewis D23/364
D831,812 S * 10/2018 Stanhope D23/365
D834,166 S * 11/2018 Ruhland D23/365

* cited by examiner

Primary Examiner — Karen S Acker

Assistant Examiner — Jonathan E Fiencke

(74) *Attorney, Agent, or Firm* — McCormick, Paulding & Huber PLLC

(57) **CLAIM**

The ornamental design for an air cleaning apparatus, substantially as shown and described.

DESCRIPTION

FIG. 1 is a front, left side and top perspective view of an air cleaning apparatus comprising a new, original and ornamental design;

FIG. 2 is a left view thereof;

FIG. 3 is a right view thereof;

FIG. 4 is a front view thereof;

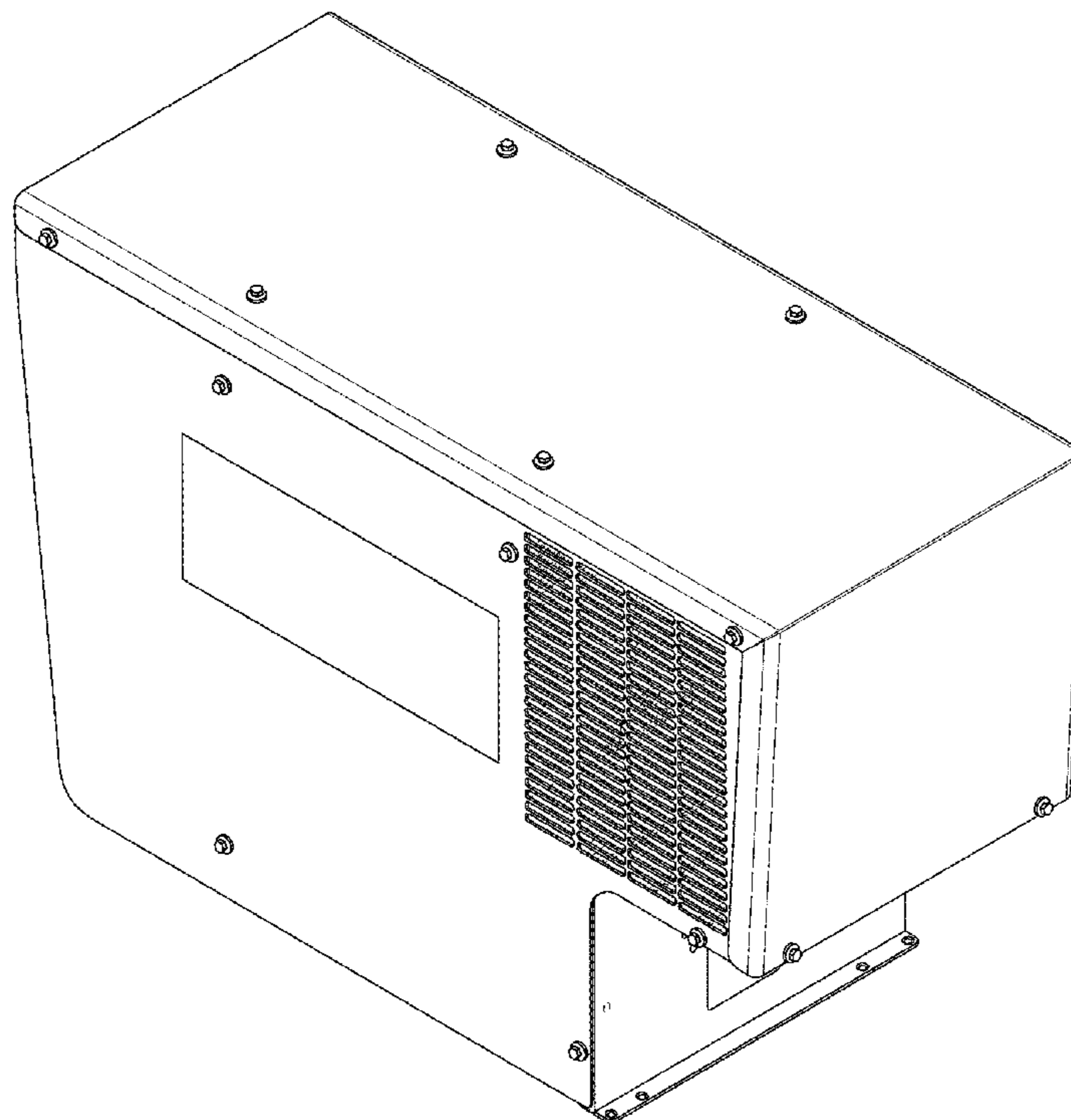
FIG. 5 is a back view thereof;

FIG. 6 is a top view thereof; and,

FIG. 7 is a bottom view thereof.

The broken lines, and all areas viewable through the side planes of the article in FIGS. 1-3, depict portions of the air cleaning apparatus that form no part of the claimed design.

1 Claim, 7 Drawing Sheets



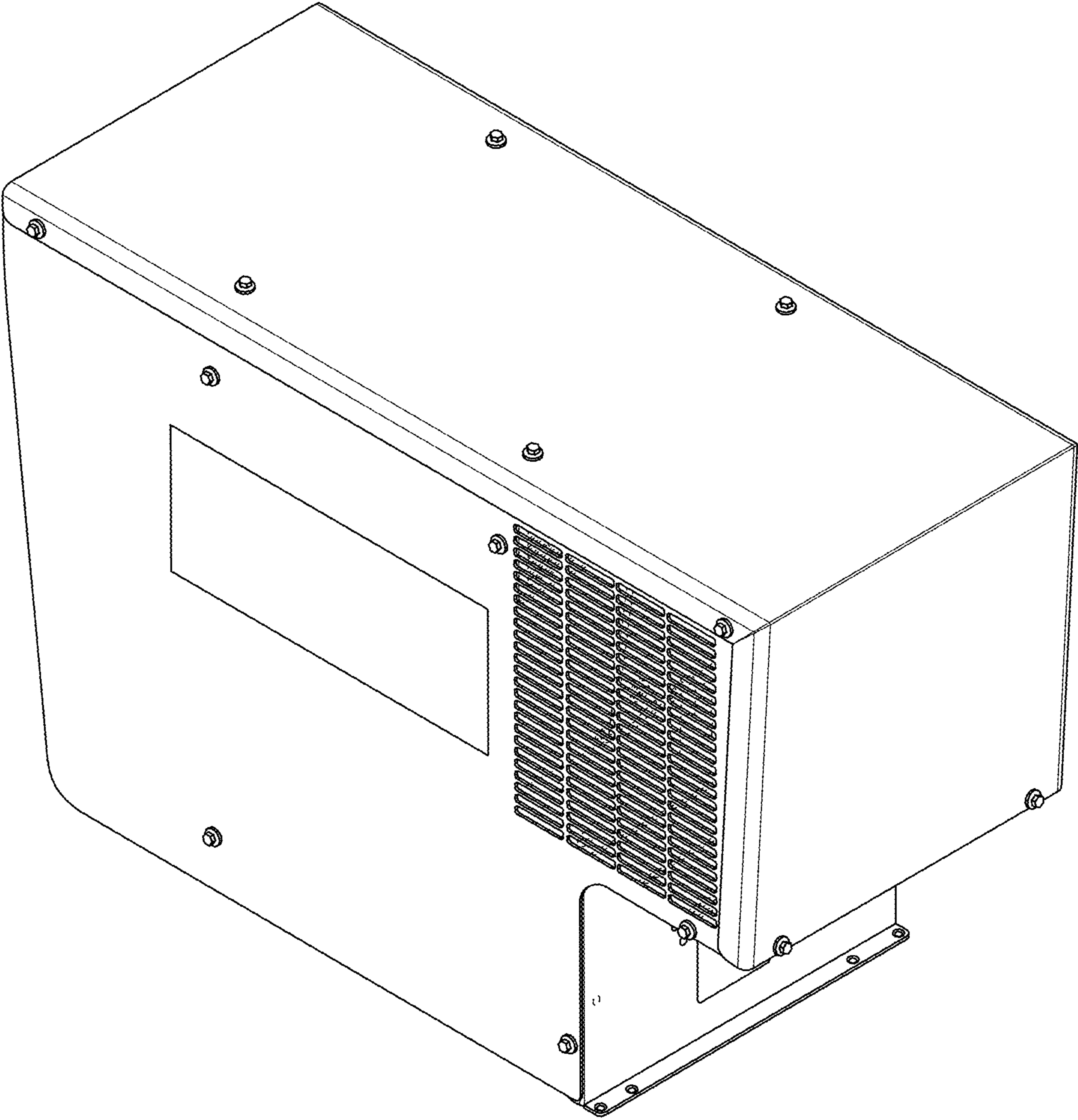


FIG. 1

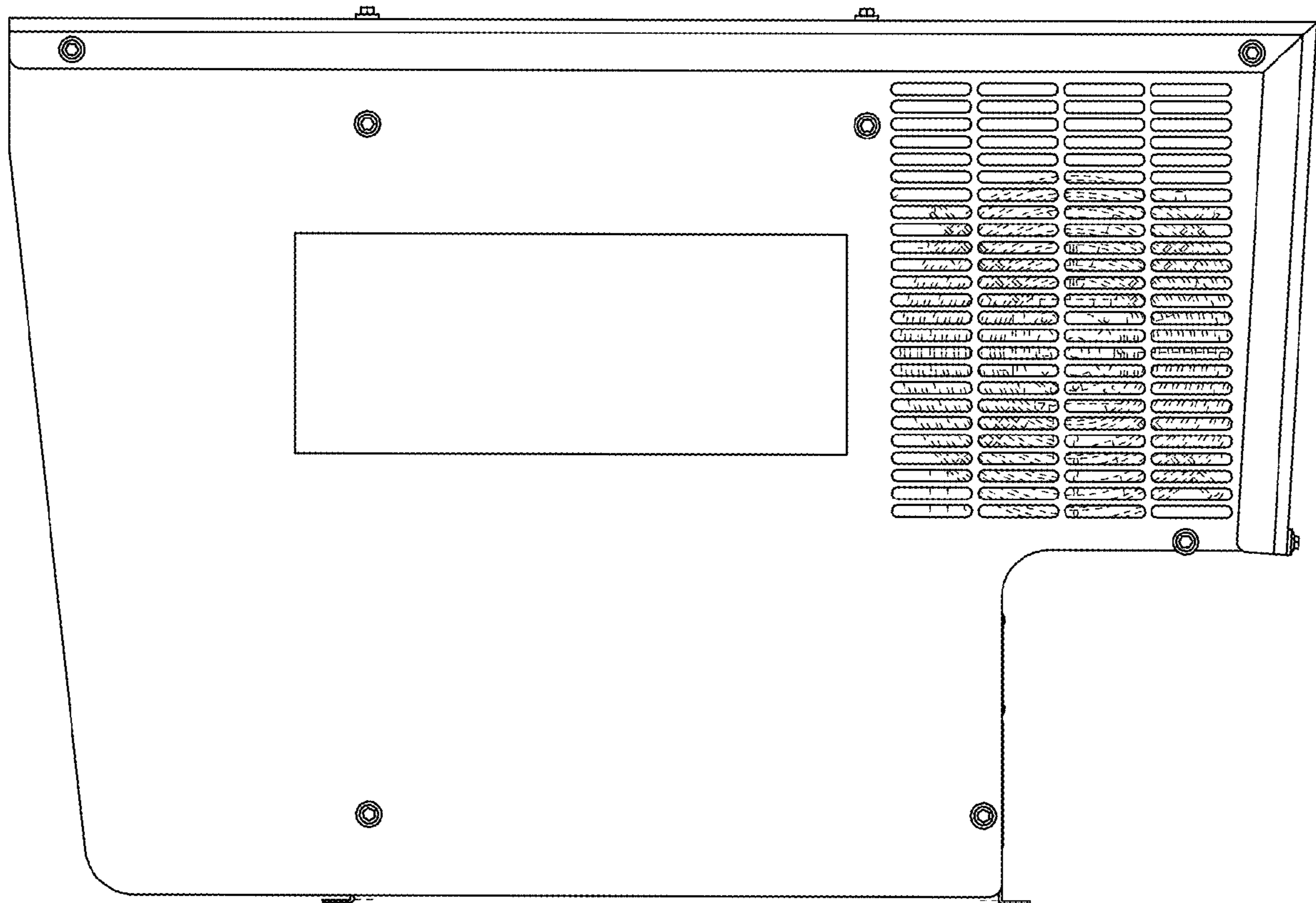


FIG. 2

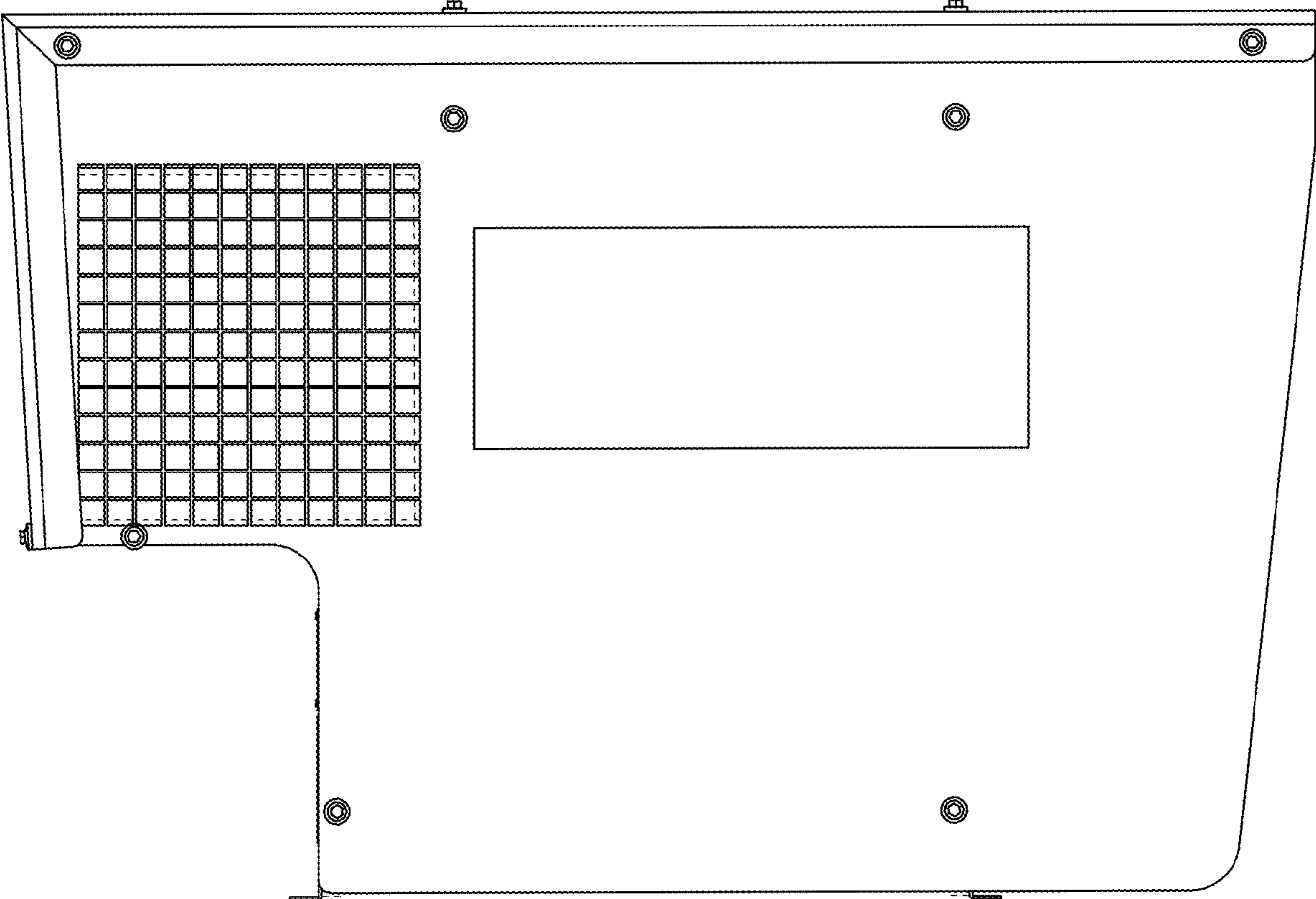


FIG. 3

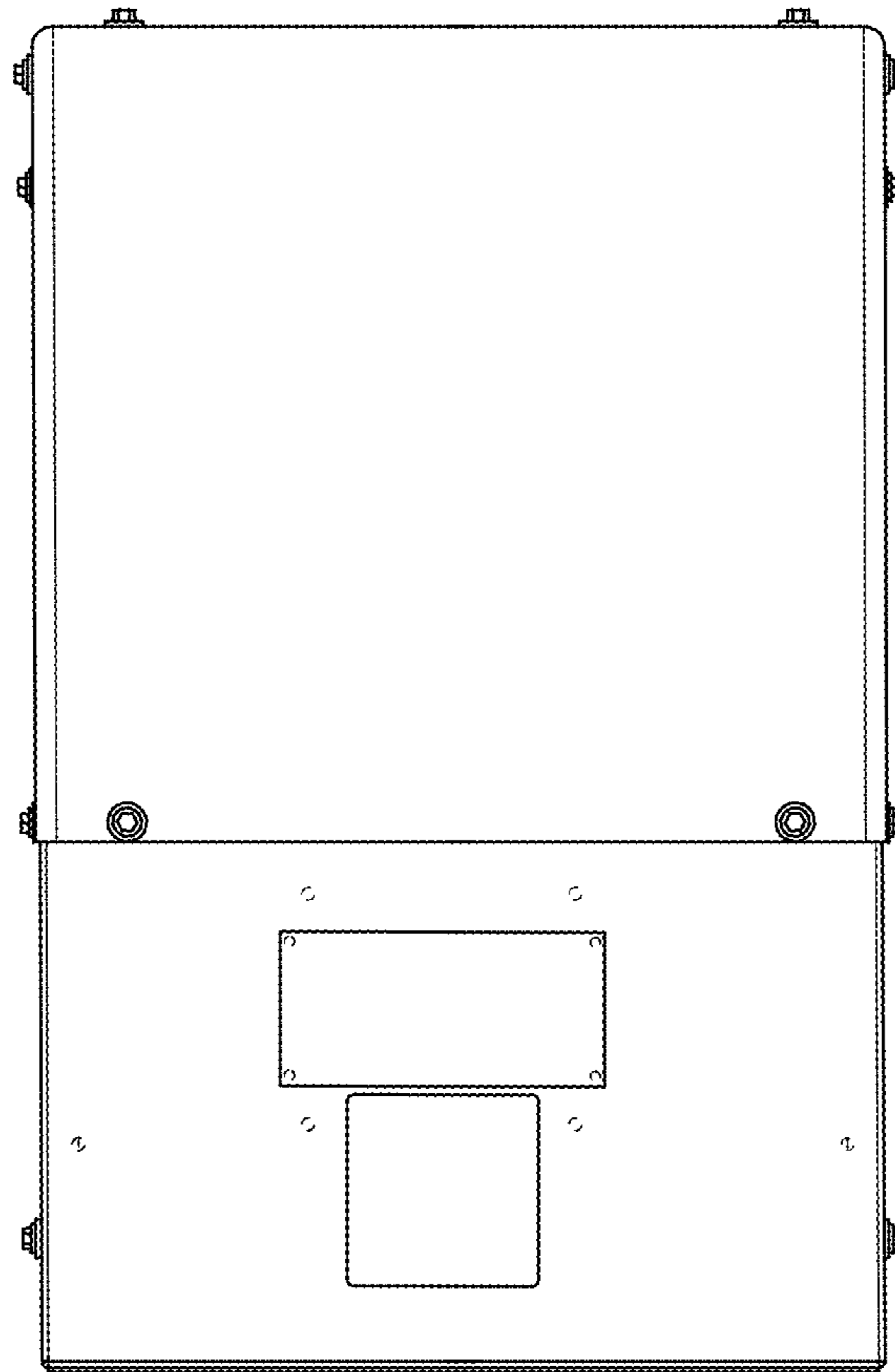


FIG. 4

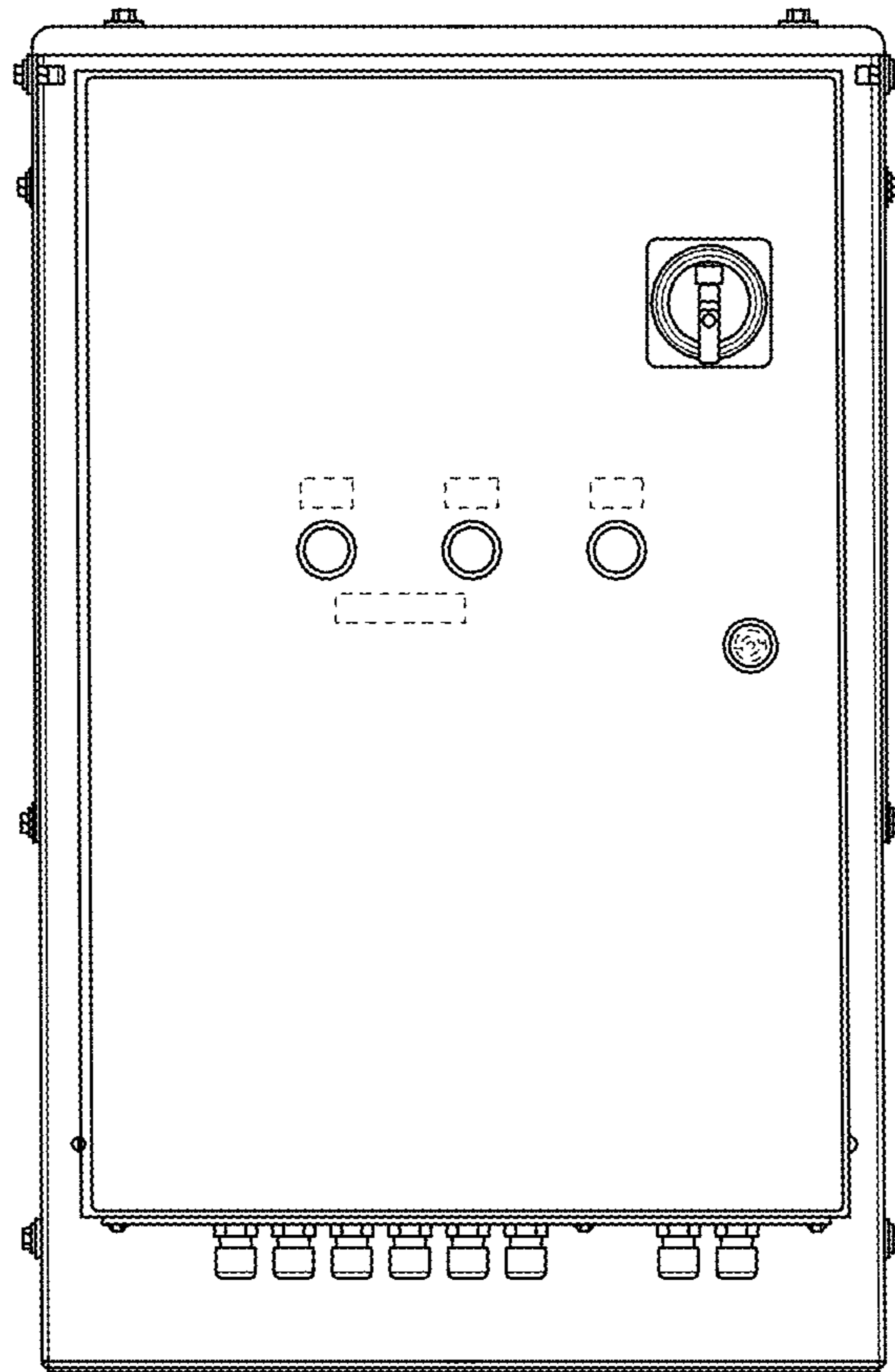


FIG. 5

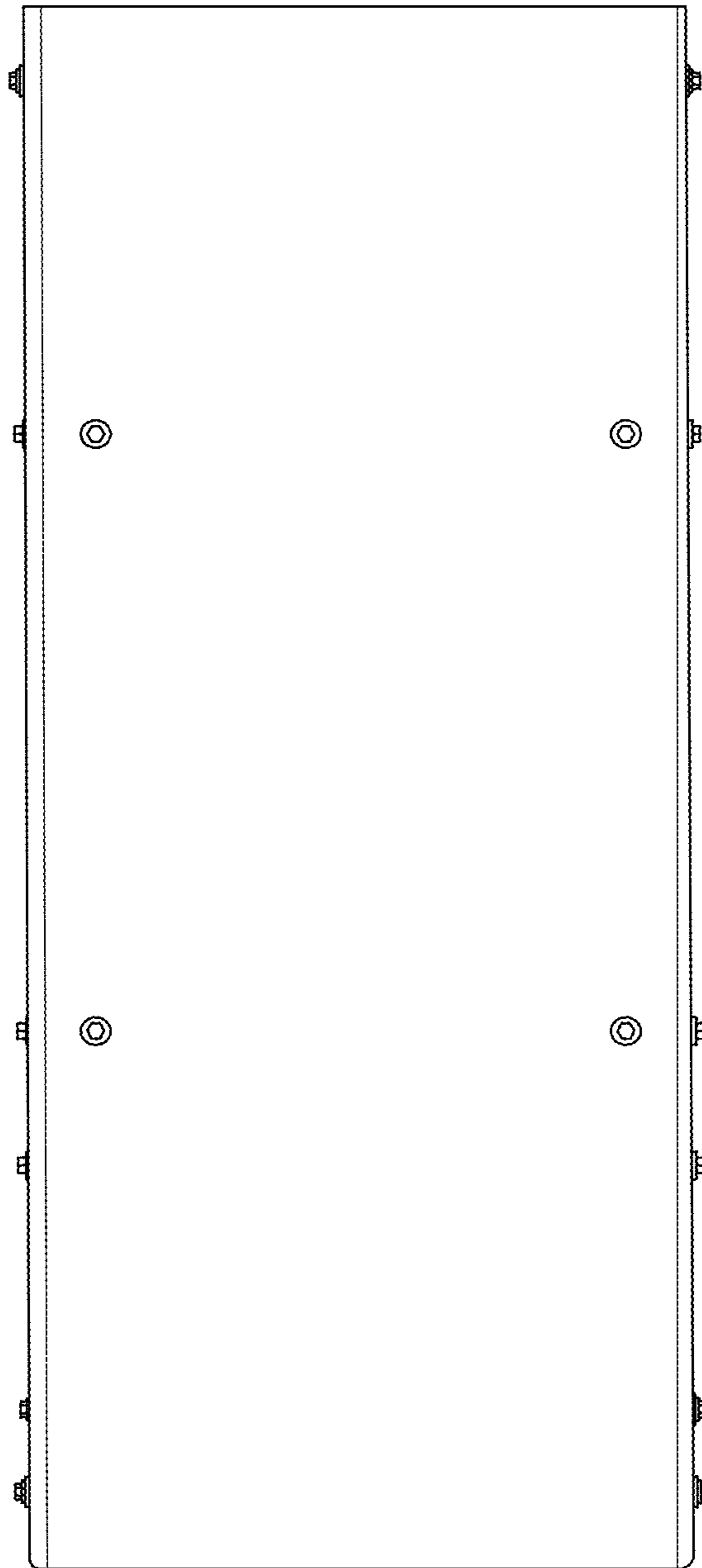


FIG. 6

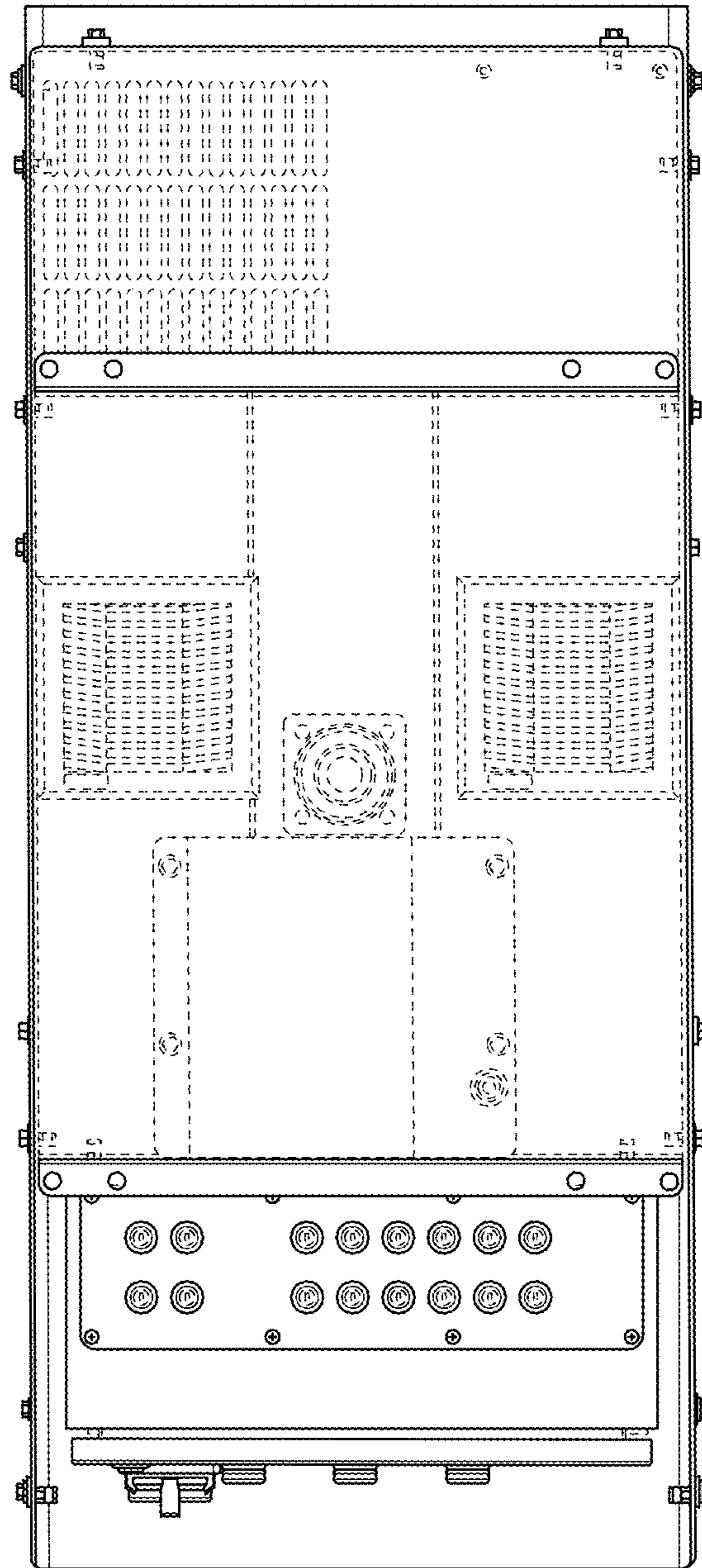


FIG. 7