



US00D958945S

(12) **United States Design Patent** (10) **Patent No.:** **US D958,945 S**
Kergoët (45) **Date of Patent:** **** Jul. 26, 2022**

(54) **BIDET**
(71) Applicant: **Kohler Co.**, Kohler, WI (US)
(72) Inventor: **François Kergoët**, Malakoff (FR)
(73) Assignee: **KOHLER CO.**, Kohler, WI (US)
(**) Term: **15 Years**
(21) Appl. No.: **29/758,477**
(22) Filed: **Nov. 16, 2020**

D385,957 S 11/1997 Laguera Garza
D394,308 S 5/1998 Bertoli
5,755,498 A 5/1998 Cutler
D406,324 S 3/1999 Johnson
D406,325 S * 3/1999 Nagato D23/301
D406,326 S * 3/1999 Tani D23/301
D428,122 S 7/2000 Garza
D433,741 S 11/2000 Singer
D434,124 S 11/2000 McKeone
D445,884 S 7/2001 Marshall et al.
D455,202 S 4/2002 Soulier
D455,477 S 4/2002 Soulier
D472,616 S 4/2003 Newson

(Continued)

Related U.S. Application Data

(62) Division of application No. 29/648,007, filed on May 17, 2018, now Pat. No. Des. 913,458.
(51) **LOC (13) Cl.** **23-02**
(52) **U.S. Cl.**
USPC **D23/309**
(58) **Field of Classification Search**
USPC D23/295-303, 309, 311-313
CPC A47K 11/02; A47K 11/026; A47K 11/00;
A47K 13/00; E03D 11/18; E03D 5/10;
E03D 13/00
See application file for complete search history.

References Cited

U.S. PATENT DOCUMENTS

D116,564 S 9/1939 Love
D202,411 S 9/1965 Niemann
3,578,737 A 5/1971 Ruggles
D222,541 S 11/1971 Van Skyhawk
D226,910 S 5/1973 Doman
D309,939 S 8/1990 Yvetot
D328,338 S 7/1992 Ragonot
D349,156 S 7/1994 Kohler, Jr. et al.
D354,341 S 1/1995 Kohler, Jr. et al.
D369,855 S 5/1996 Reid
D379,217 S 5/1997 Kergoët
D384,404 S 9/1997 Kergoët

OTHER PUBLICATIONS

CN First Office Action CN Appl No. 201830613467.2; dated Jan. 15, 2019; 1 page.

(Continued)

Primary Examiner — John A Voytek
(74) *Attorney, Agent, or Firm* — Foley & Lardner LLP

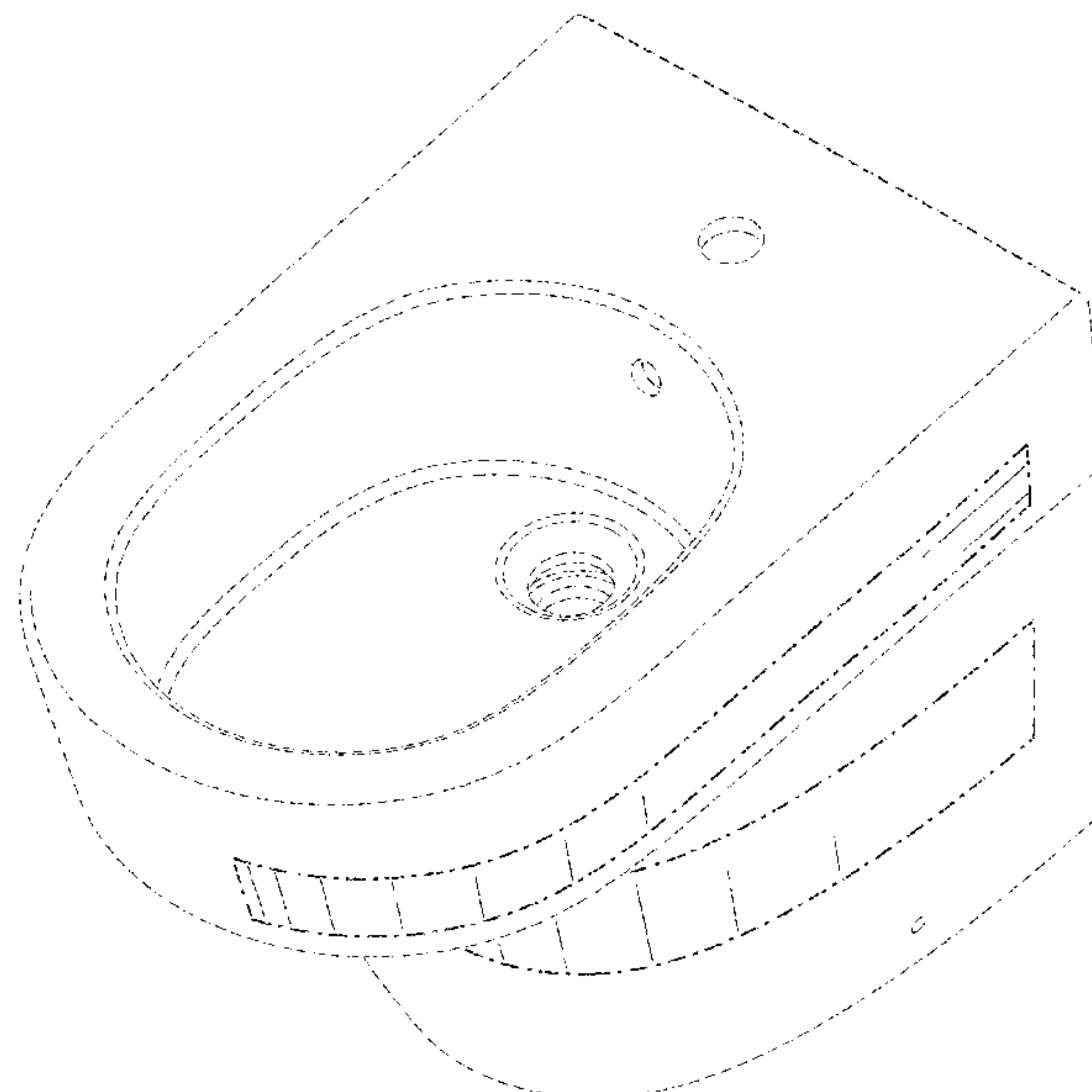
(57) **CLAIM**

I claim the ornamental design for a bidet, as shown and described.

DESCRIPTION

FIG. 1 is a perspective view of the claimed design;
FIG. 2 is a front view of FIG. 1;
FIG. 3 is a rear view of FIG. 1;
FIG. 4 is a side view of FIG. 1;
FIG. 5 is another side view of FIG. 1;
FIG. 6 is a top view of FIG. 1; and,
FIG. 7 is a bottom view of FIG. 1.
The broken lines in the drawings are for illustrative purposes only and form no part of the claimed design. Broken lines formed of unequal length dashes (i.e., dash-dot) define bounds of the claimed design.

1 Claim, 7 Drawing Sheets



(56)

References Cited

U.S. PATENT DOCUMENTS

D492,396 S 6/2004 Sutopo
 D496,444 S 9/2004 Kergoet
 D520,613 S 5/2006 Soulier
 D529,147 S 9/2006 Sutopo
 D531,714 S 11/2006 Soulier
 D532,494 S 11/2006 Mukai
 D547,844 S 7/2007 Mukai
 D556,870 S 12/2007 Lin et al.
 D556,872 S 12/2007 Crowther et al.
 D571,900 S 6/2008 Daikubara
 D596,276 S 7/2009 Espinoza
 D598,990 S 8/2009 Durringer et al.
 D606,178 S 12/2009 Cummings et al.
 D609,791 S 2/2010 Cummings et al.
 D610,660 S 2/2010 Slothower
 D624,992 S 10/2010 Maitre et al.
 D624,997 S 10/2010 Schonherr et al.
 D634,408 S 3/2011 Thomas
 D634,821 S 3/2011 Thomas
 D638,525 S 5/2011 Matsuura et al.
 D646,366 S 10/2011 Palomba et al.
 D652,492 S 1/2012 Slothower et al.
 D654,576 S 2/2012 Cornille
 D654,993 S * 2/2012 Ando D23/301
 D657,031 S 4/2012 Bickerstaffe et al.
 D663,017 S 7/2012 Slothower et al.
 D667,941 S 9/2012 Bickerstaffe et al.
 D697,598 S 1/2014 Garland
 D699,823 S 2/2014 Newson

D727,478 S 4/2015 Mayer et al.
 D728,082 S 4/2015 Sukhera et al.
 8,997,271 B2 4/2015 Bayley
 D743,515 S 11/2015 Letourneau
 D745,647 S 12/2015 Schonherr et al.
 D759,795 S 6/2016 Letourneau et al.
 D764,033 S 8/2016 Chuk et al.
 D767,743 S 9/2016 Reid et al.
 D782,634 S 3/2017 Reid et al.
 D796,652 S 9/2017 Vish et al.
 D798,424 S 9/2017 Mesun et al.
 D801,491 S 10/2017 Stevenson et al.
 D802,105 S 11/2017 Stevenson et al.
 D802,106 S 11/2017 Stevenson et al.
 D807,479 S 1/2018 Chuk et al.
 D807,480 S 1/2018 Chuk et al.
 D823,999 S 7/2018 Stevenson et al.
 D835,762 S 12/2018 Levi
 D888,908 S * 6/2020 Kergoët D23/309
 D888,909 S * 6/2020 Kergoët D23/309
 D913,458 S * 3/2021 Kergoët D23/295
 D913,459 S * 3/2021 Kergoët D23/295
 2006/0284526 A1 12/2006 Pathmanathan et al.
 2018/0070722 A1 3/2018 Yang et al.

OTHER PUBLICATIONS

Decision of Rejection dated Apr. 9, 2019.
 First Office Action dated Jan. 15, 2019.
 First Office Action dated Jan. 16, 2019.

* cited by examiner

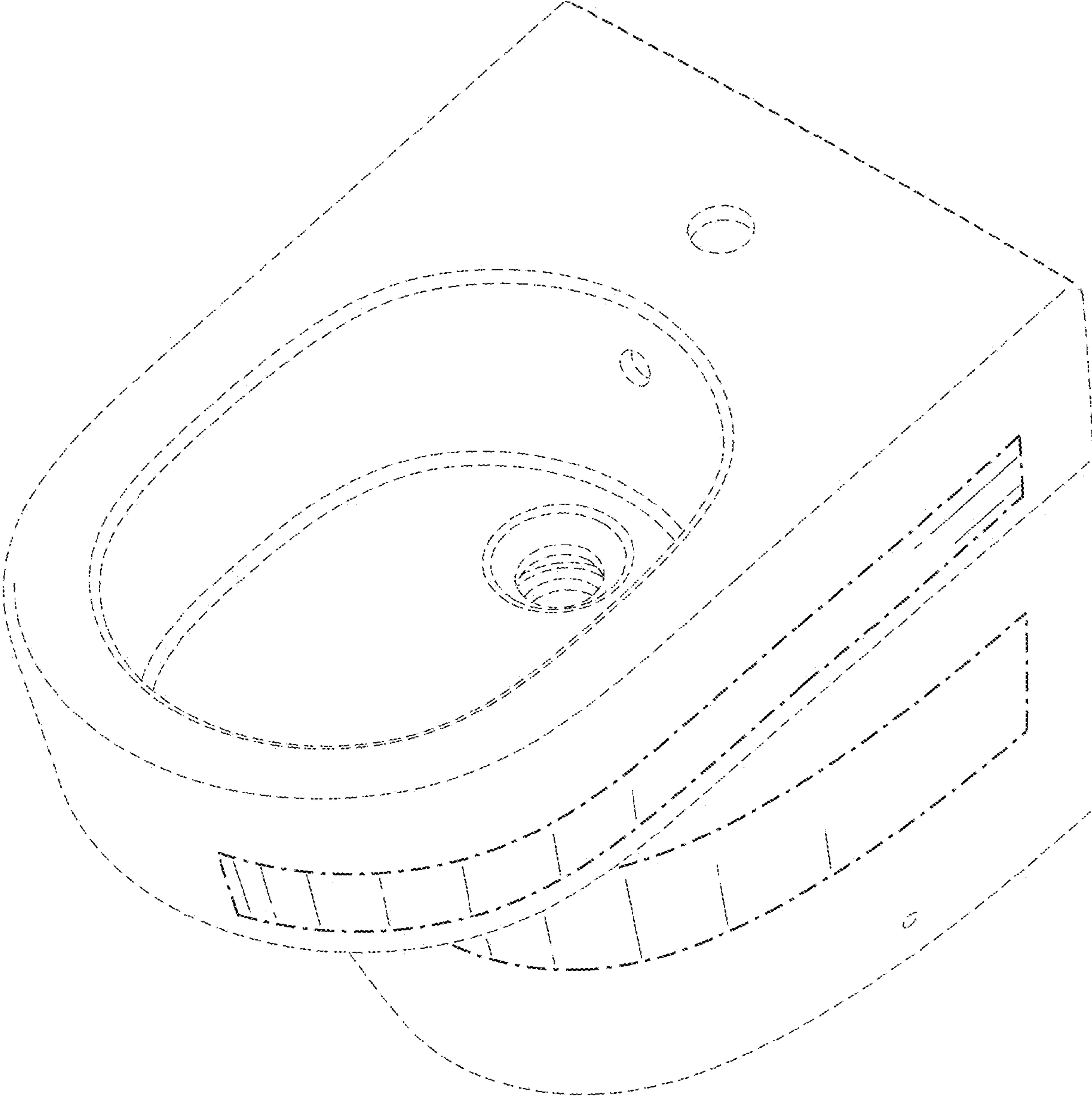


FIG. 1

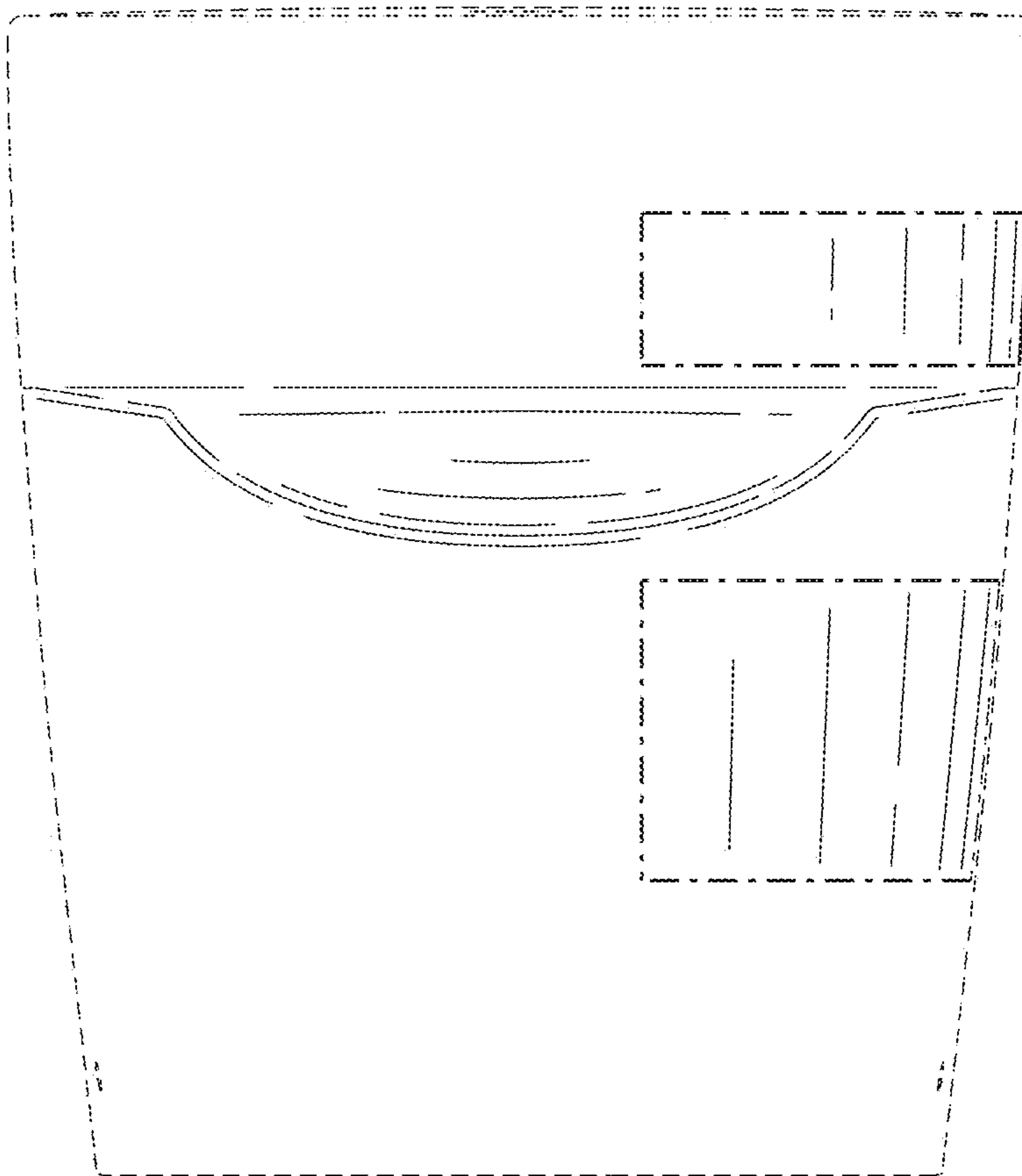


FIG. 2

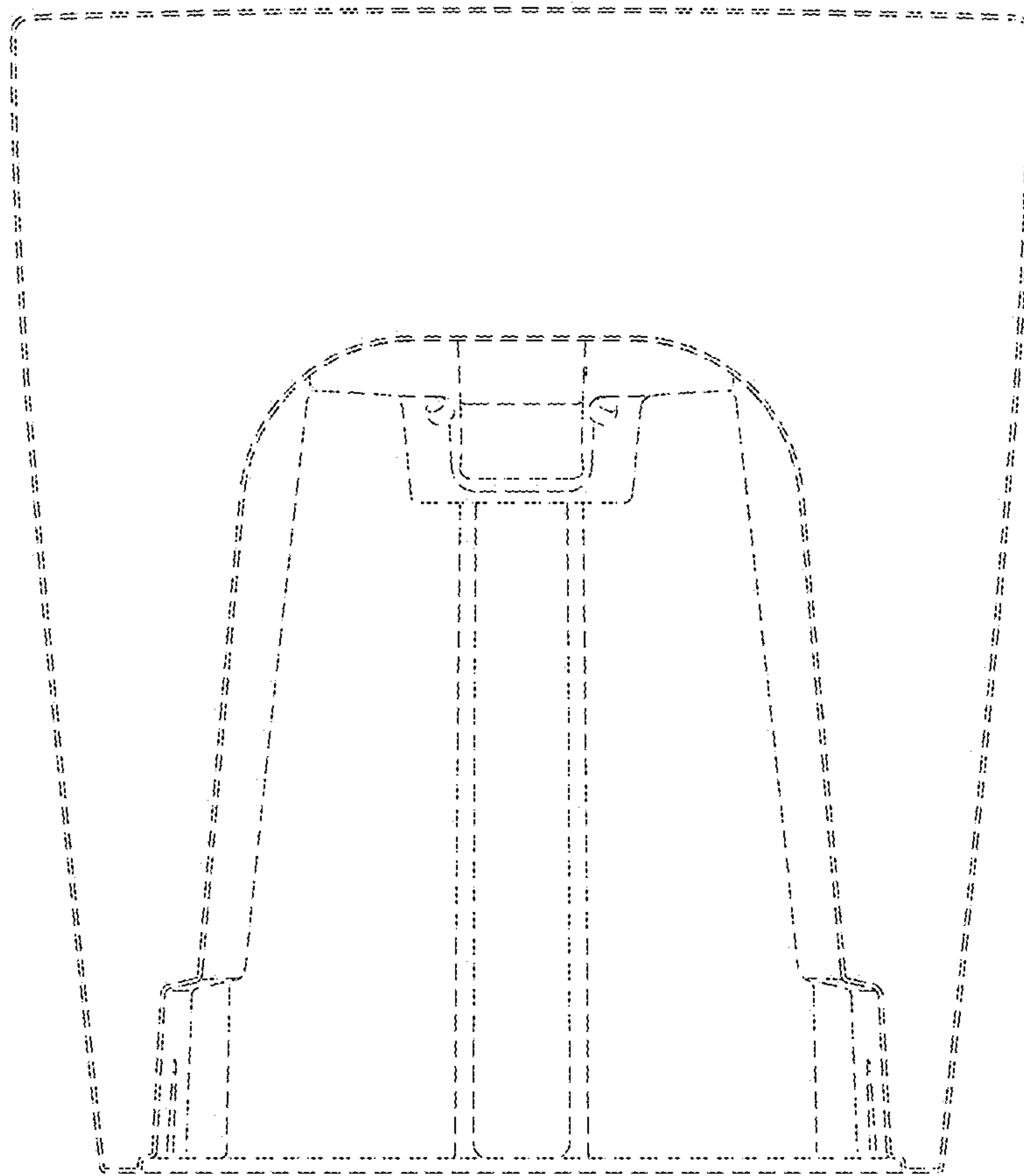


FIG. 3

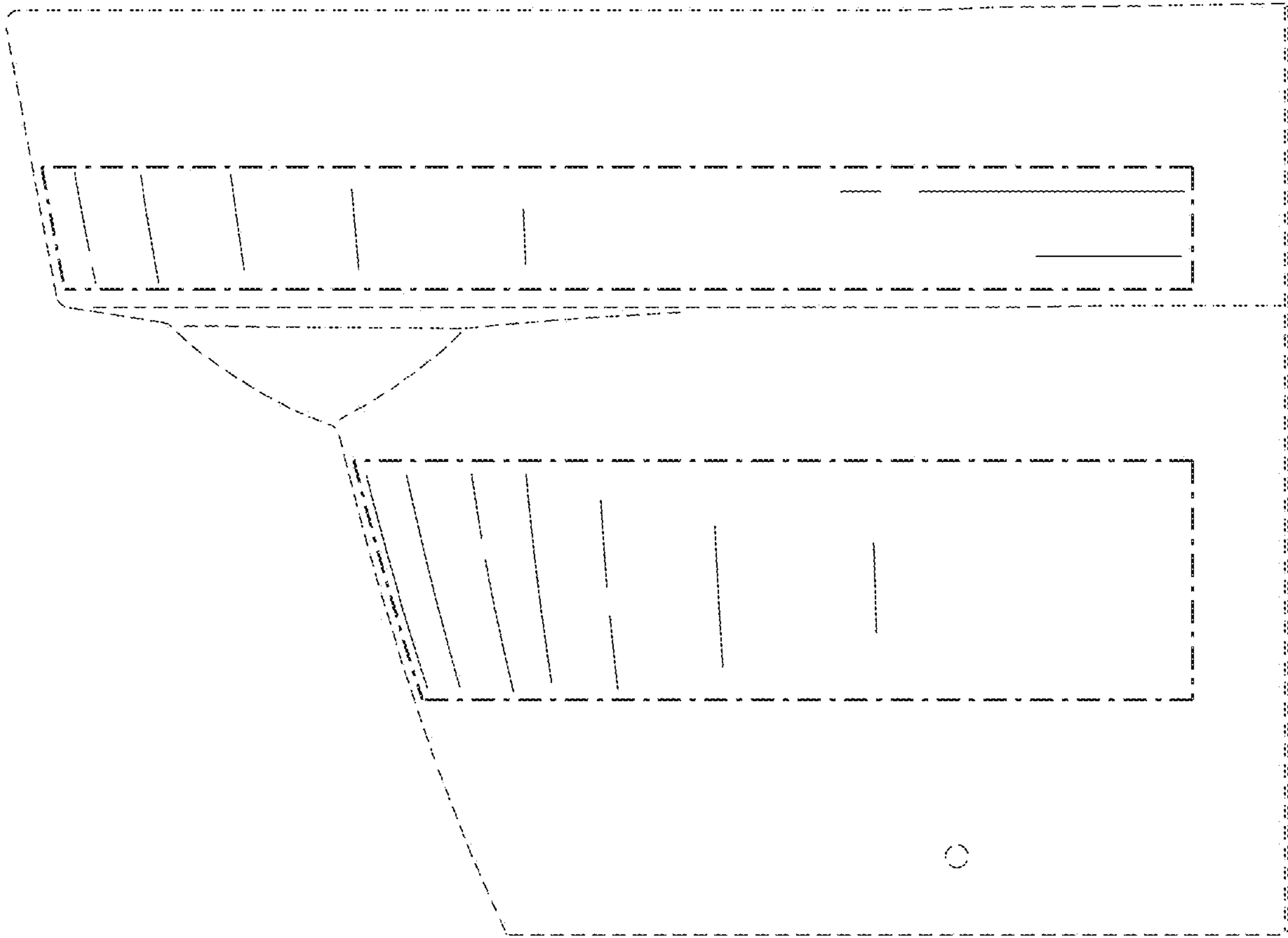


FIG. 4

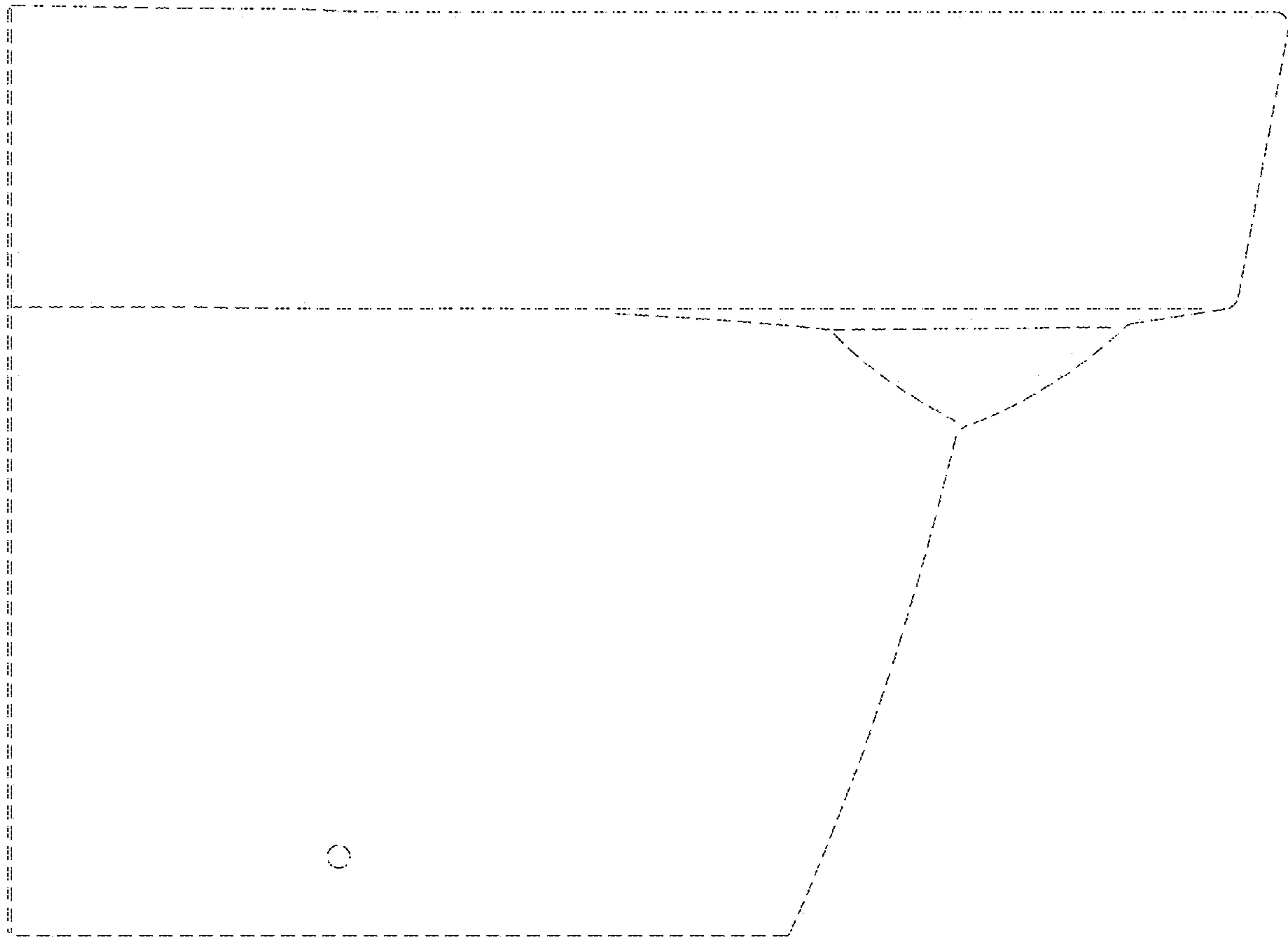


FIG. 5

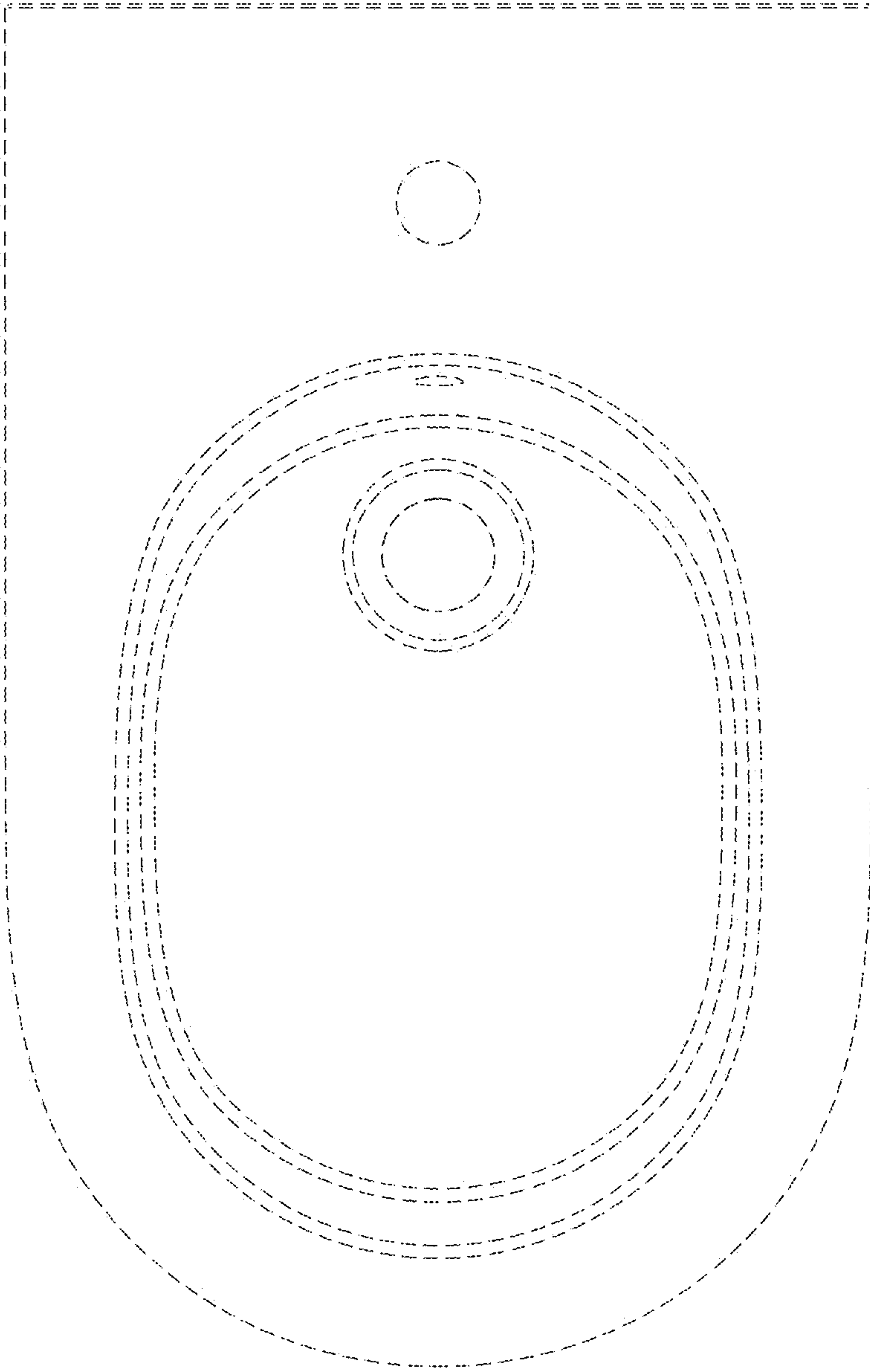


FIG. 6

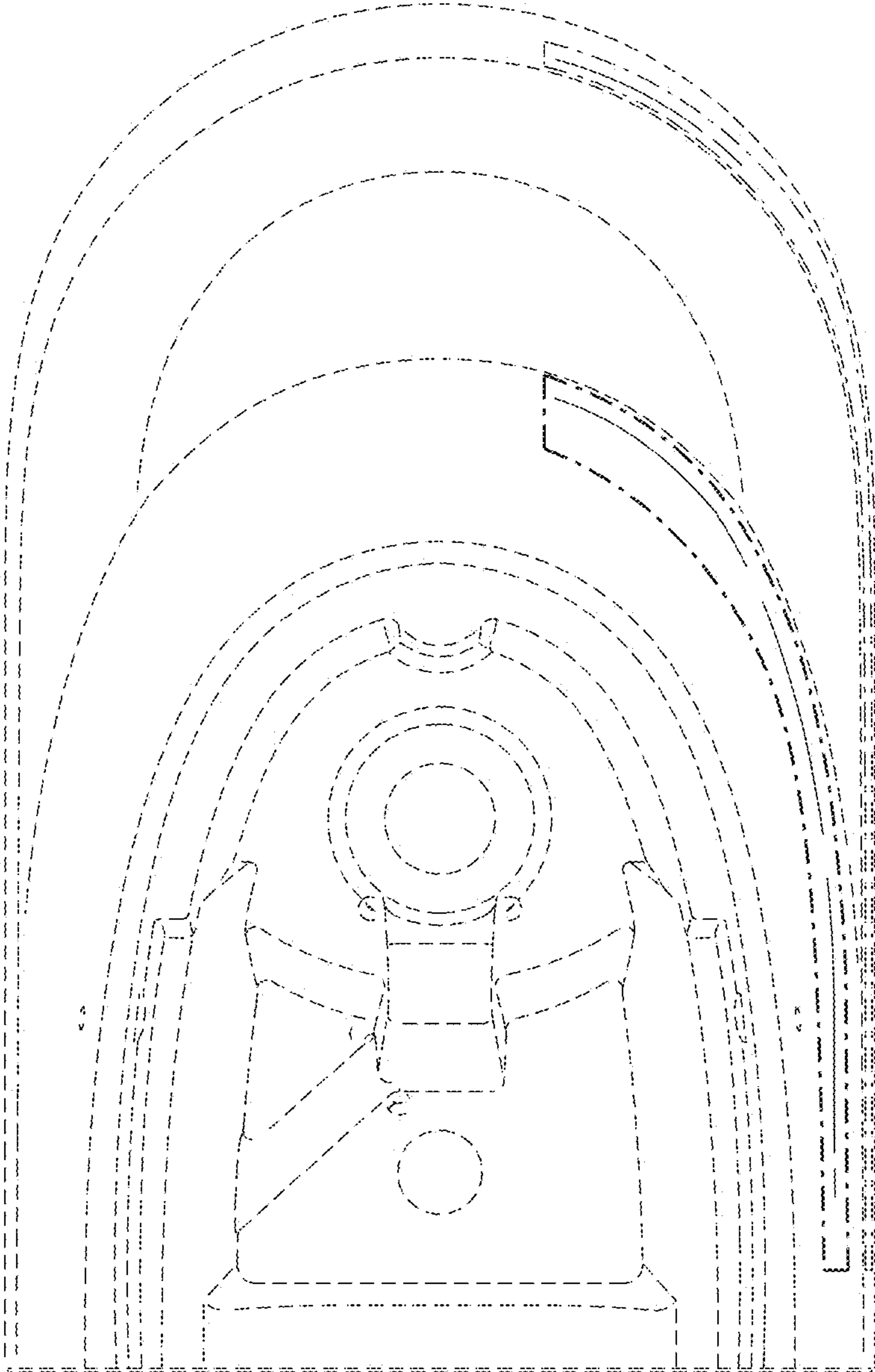


FIG. 7