



US00D958944S

(12) **United States Design Patent**
Torres

(10) **Patent No.:** **US D958,944 S**

(45) **Date of Patent:** **** Jul. 26, 2022**

(54) **FAUCETLESS SINK ASSEMBLY**

D851,338 S * 6/2019 Brown D30/133
D947,792 S * 4/2022 Solomon D13/167
2021/0404157 A1* 12/2021 Torres E03C 1/048

(71) Applicant: **Alan Torres**, Inglewood, CA (US)

(72) Inventor: **Alan Torres**, Inglewood, CA (US)

(**) Term: **15 Years**

(21) Appl. No.: **29/757,126**

(22) Filed: **Nov. 3, 2020**

(51) **LOC (13) Cl.** **23-02**

(52) **U.S. Cl.**
USPC **D23/284**

(58) **Field of Classification Search**
USPC D23/284, 286-287, 290-293.1, 308;
D30/132; D13/167; D10/46
See application file for complete search history.

(56) **References Cited**

U.S. PATENT DOCUMENTS

1,426,046	A	8/1922	Cohen	
1,448,975	A	3/1923	Nenonen	
D177,053	S *	3/1956	Kofford D23/293.1
4,231,123	A	11/1980	Cheng	
D354,135	S *	1/1995	Phleps D23/292
7,305,722	B2	12/2007	Sha	
7,461,419	B2	12/2008	Milne	
7,856,681	B2	12/2010	Alls	
D637,362	S *	5/2011	Gunn D30/132
10,221,547	B2	3/2019	Gibson	

FOREIGN PATENT DOCUMENTS

WO WO2005054590 6/2005

* cited by examiner

Primary Examiner — Robert A Delehanty

(57) **CLAIM**

The ornamental design for a faucetless sink assembly, as shown and described.

DESCRIPTION

FIG. 1 is a front view of a faucetless sink assembly showing my new design;

FIG. 2 is a rear view of the faucetless sink assembly;

FIG. 3 is a right side view of the faucetless sink assembly;

FIG. 4 is a left side view of the faucetless sink assembly;

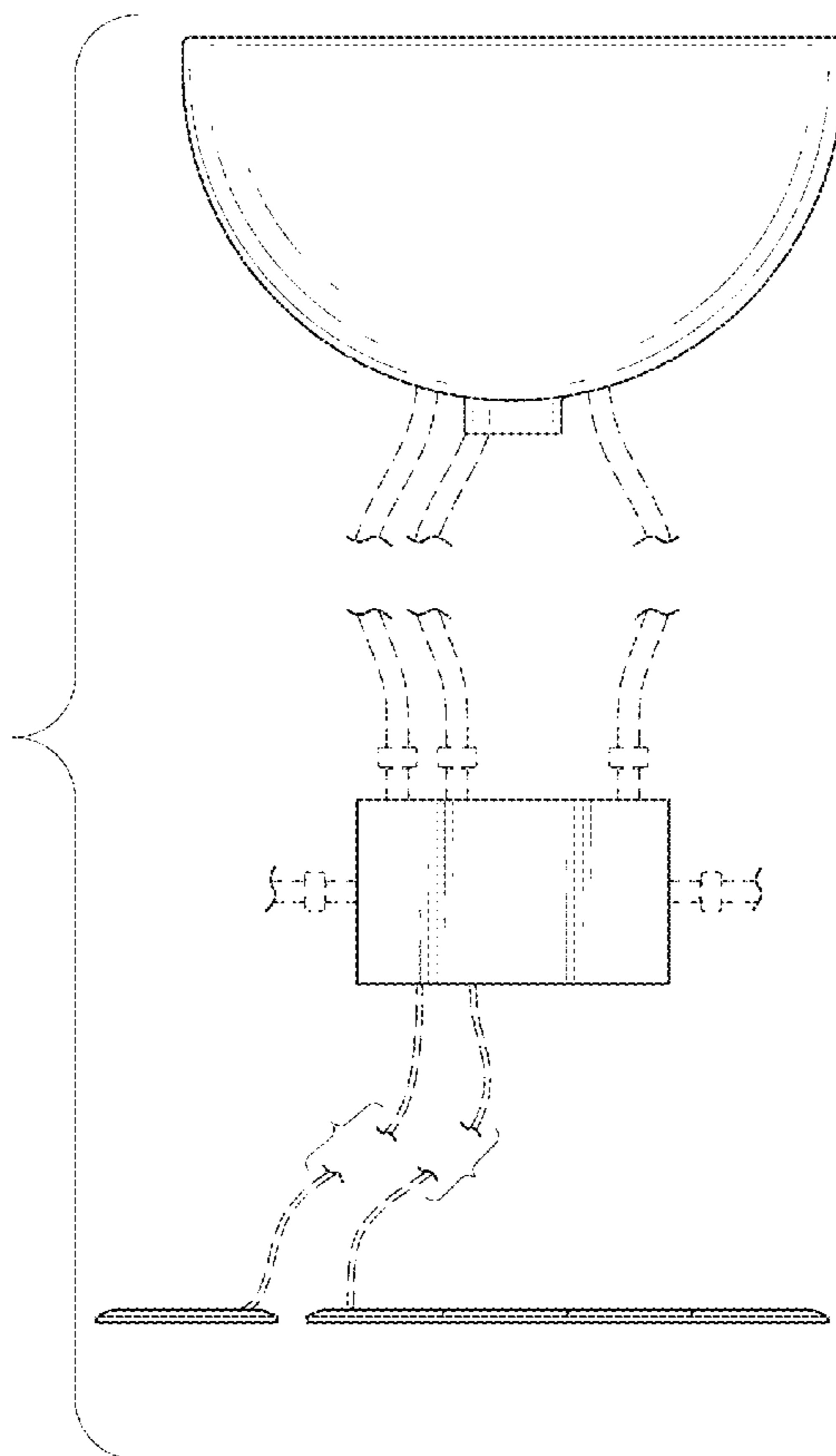
FIG. 5 is a top view of the faucetless sink assembly;

FIG. 6 is a bottom view of the faucetless sink assembly; and,

FIG. 7 is a top front side perspective view of the faucetless sink assembly.

The broken lines are illustrative of portions of the device forming no part of the claimed design.

1 Claim, 7 Drawing Sheets



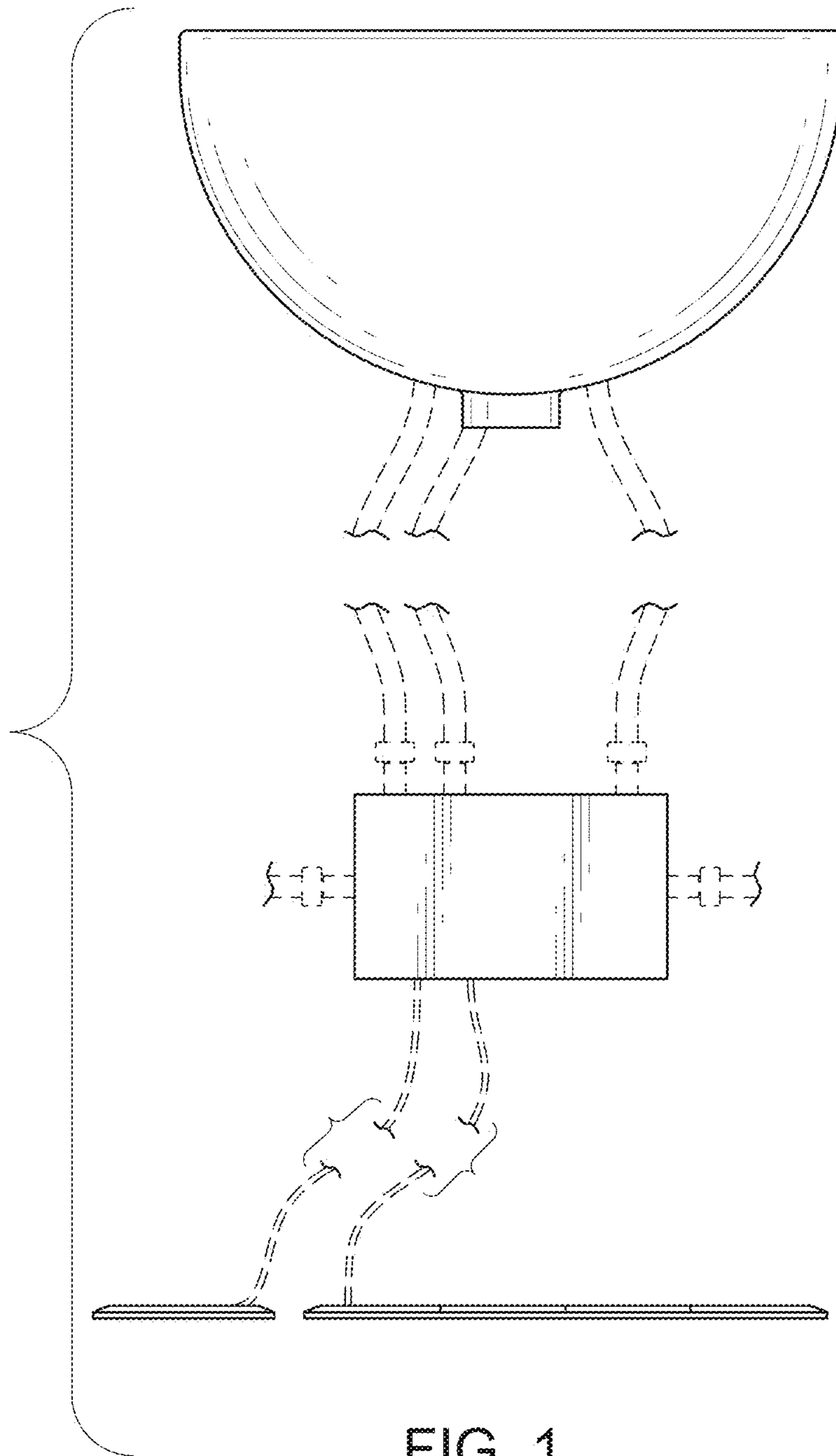


FIG. 1

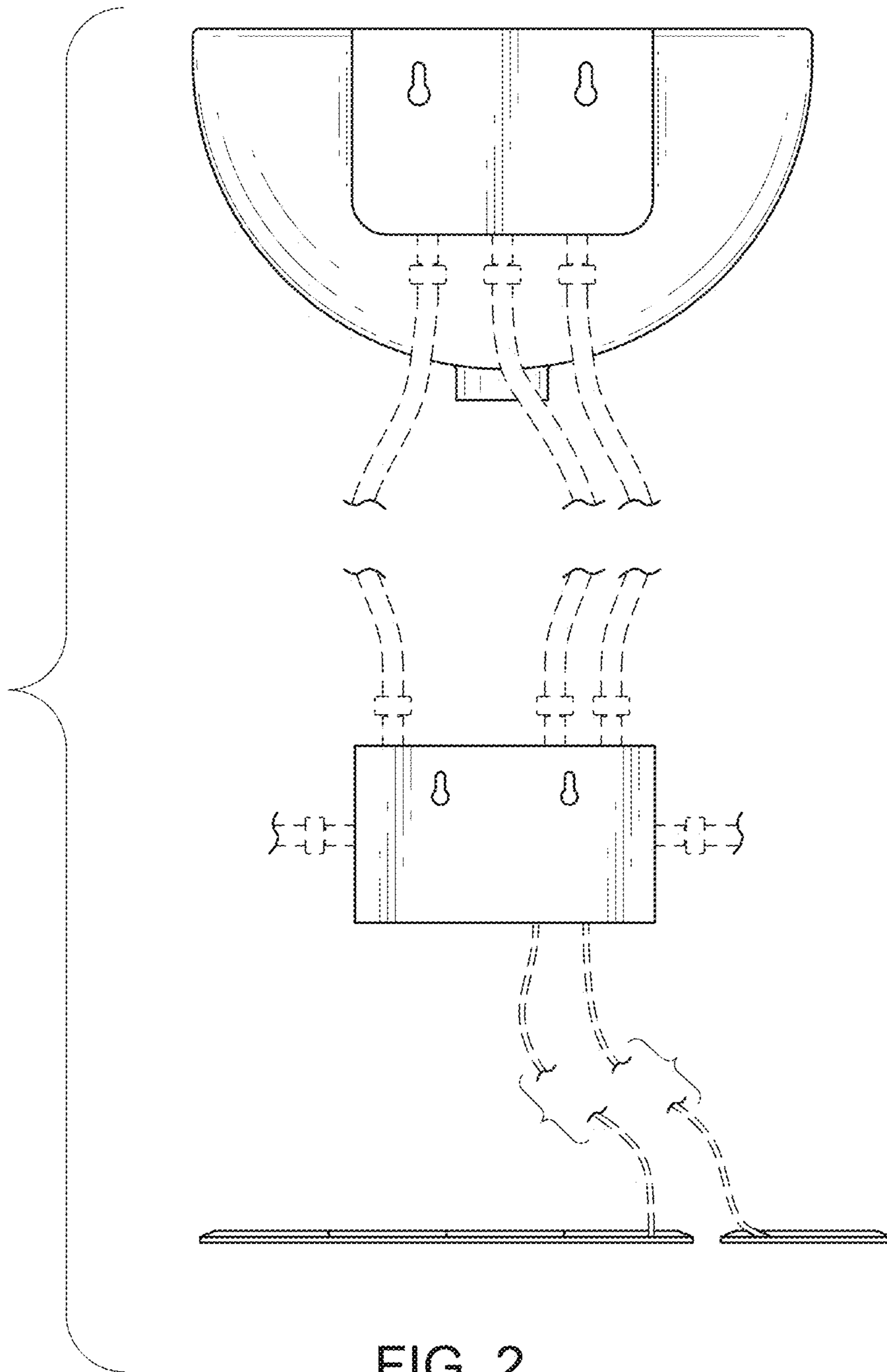


FIG. 2

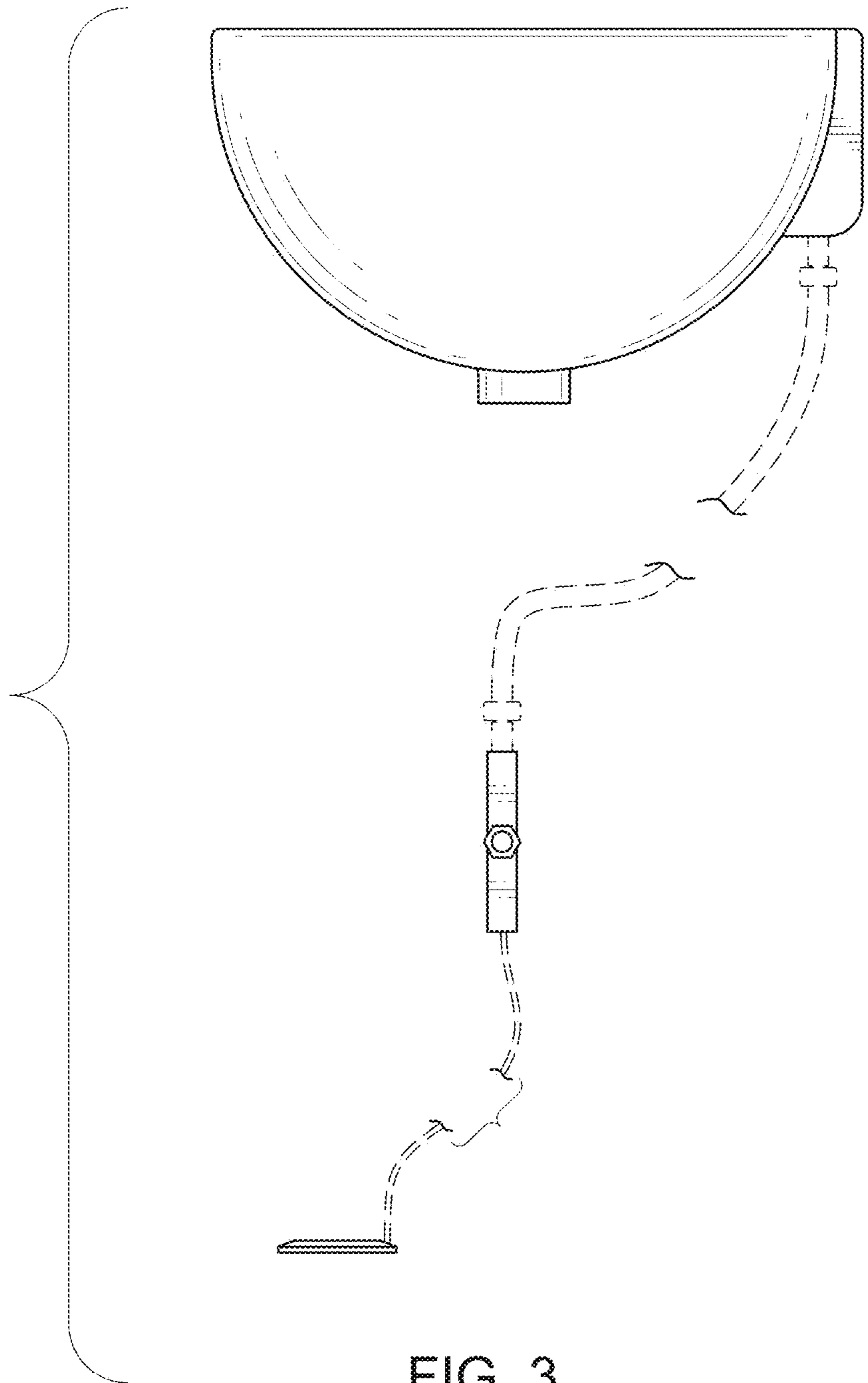


FIG. 3

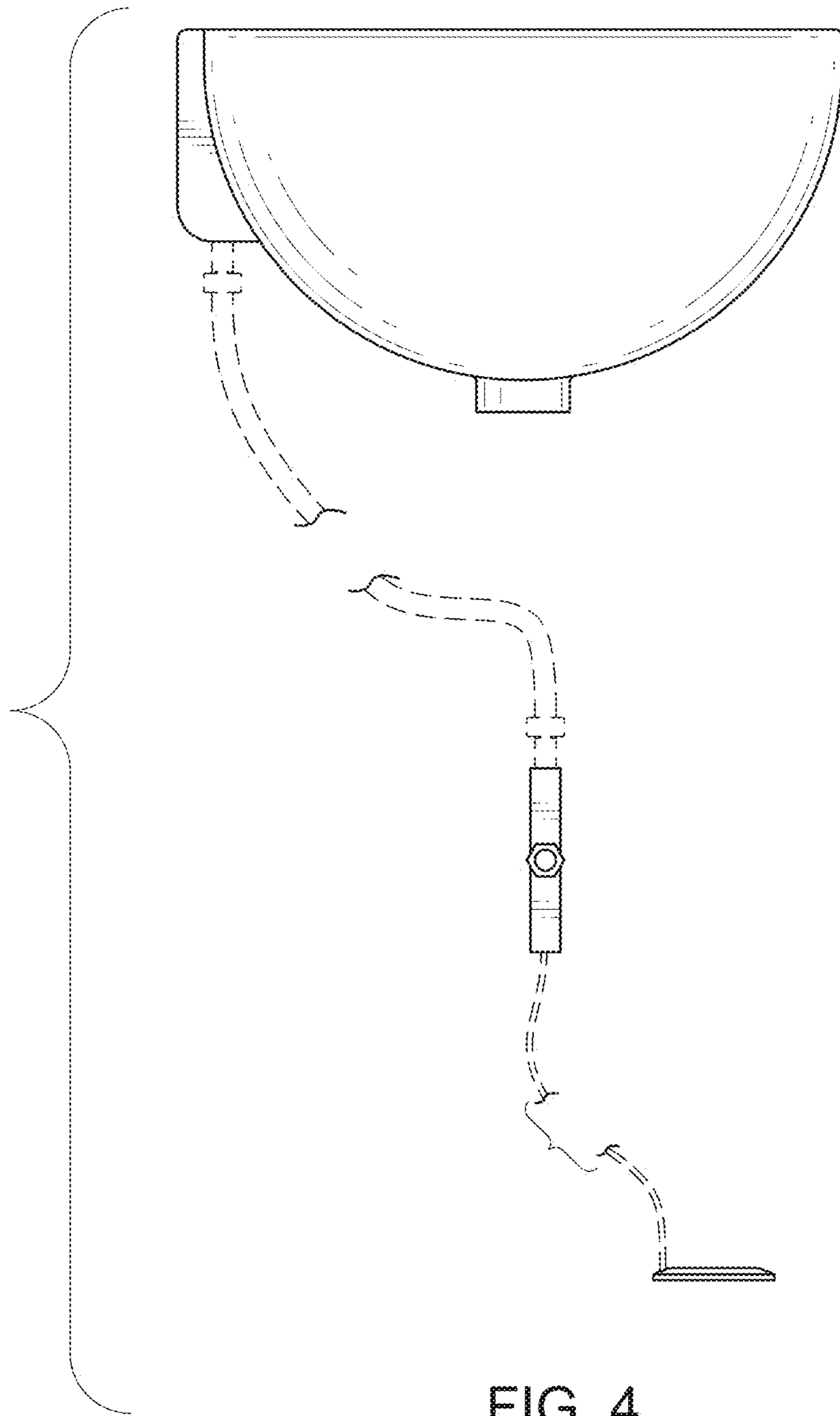


FIG. 4

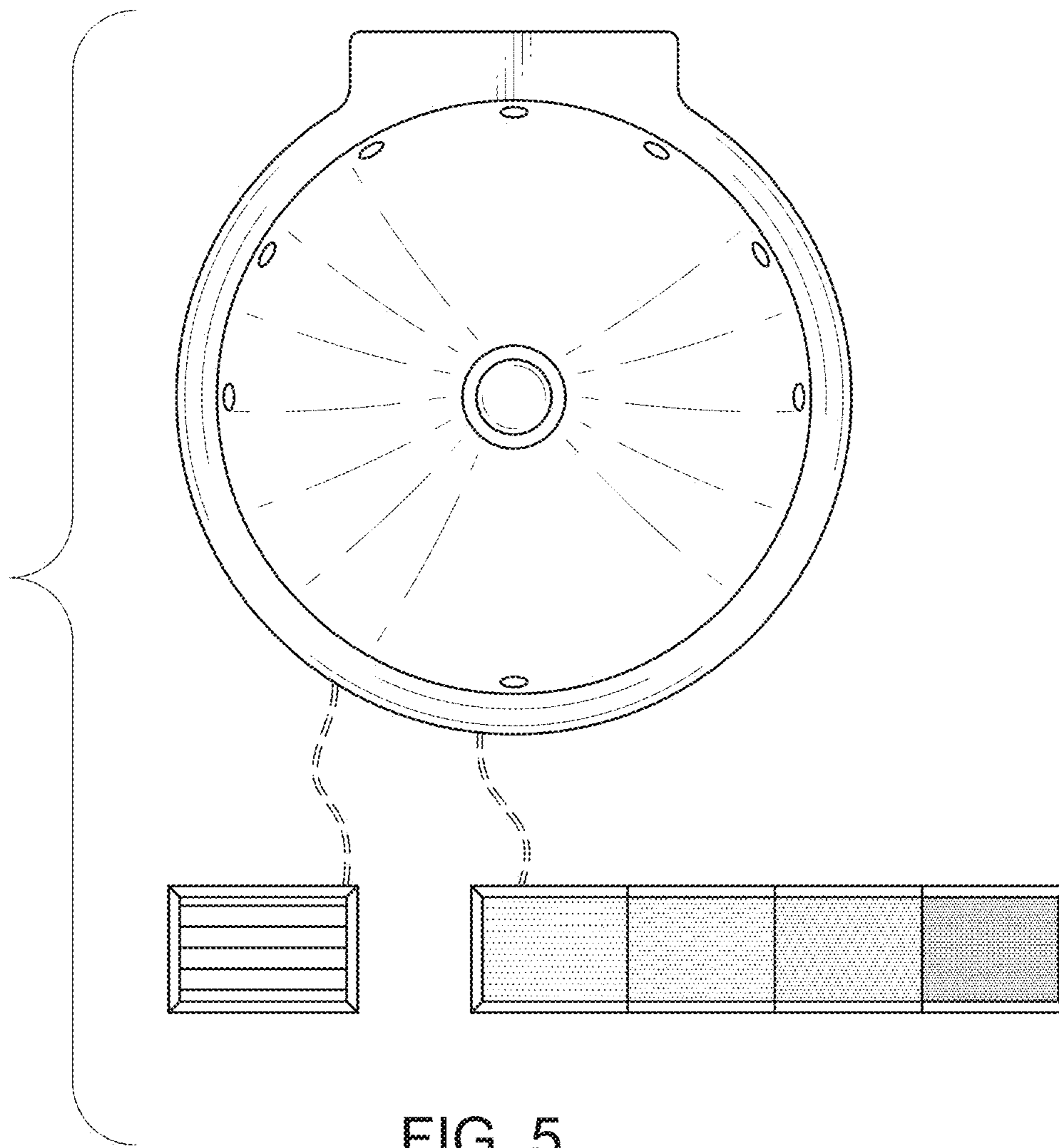


FIG. 5

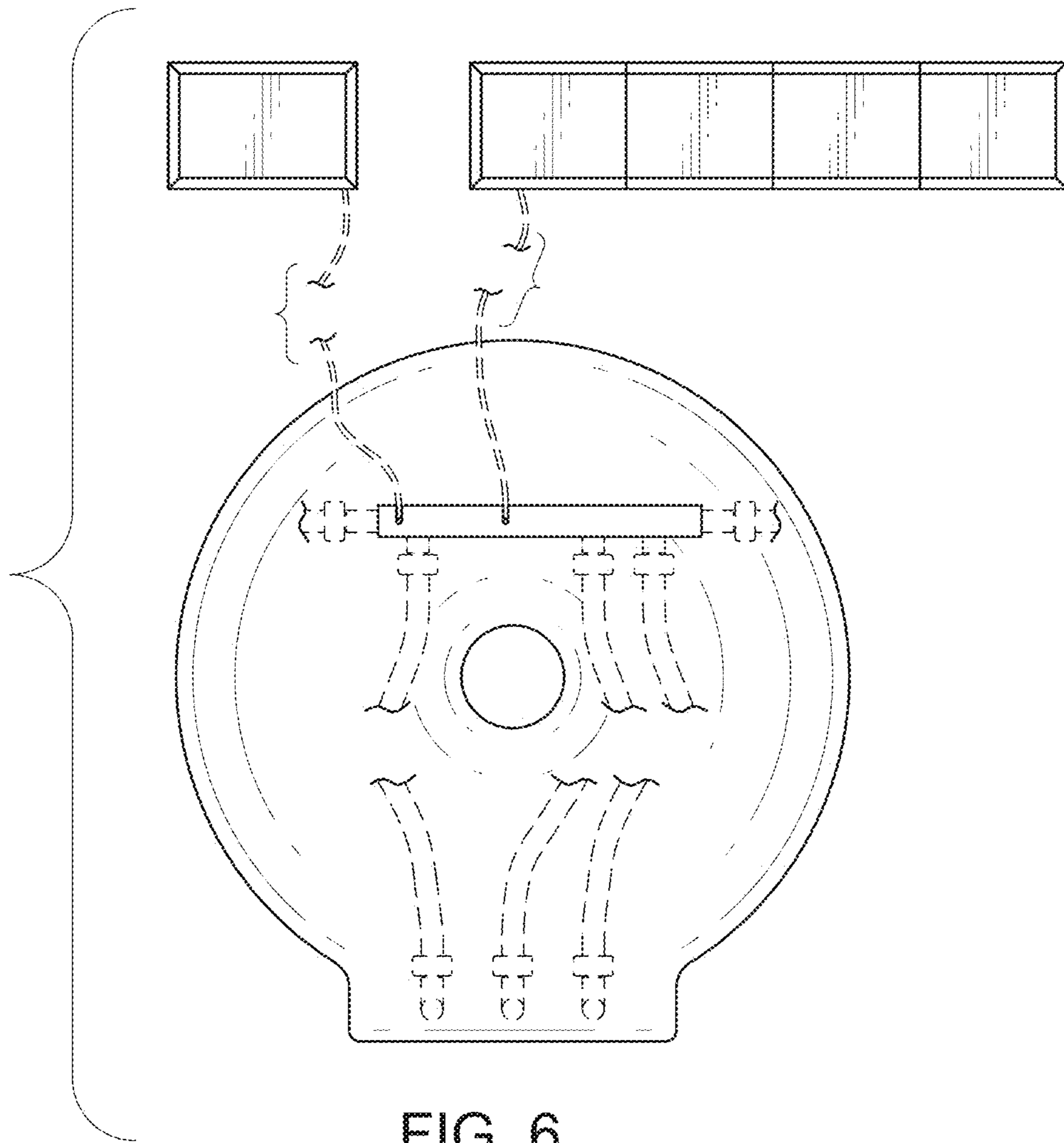


FIG. 6

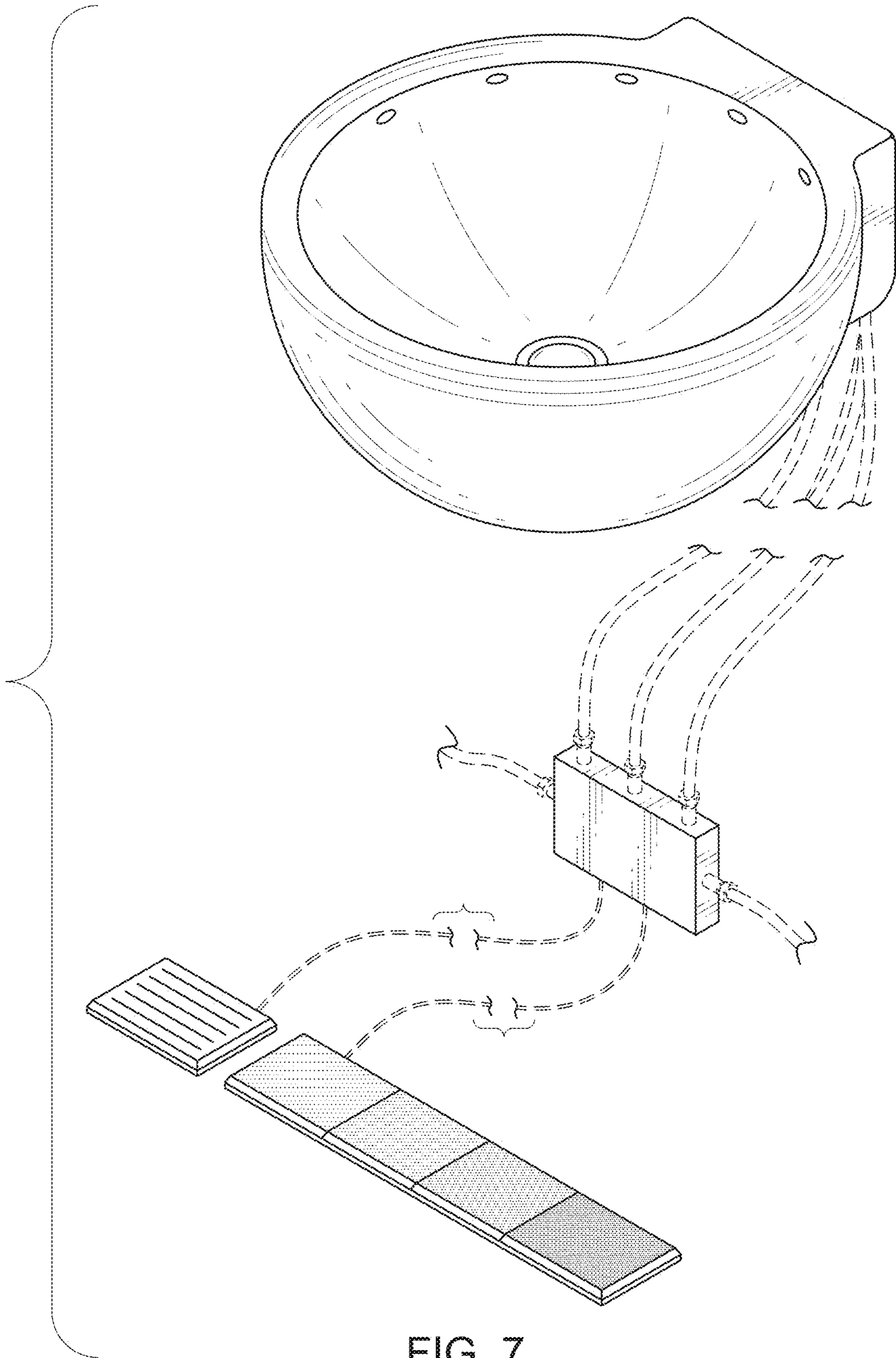


FIG. 7