



US00D958943S

(12) **United States Design Patent**
Kim et al.

(10) **Patent No.:** **US D958,943 S**

(45) **Date of Patent:** **** Jul. 26, 2022**

(54) **KITCHEN SINK CABINET**

D742,487 S * 11/2015 Eilmus D23/308
D796,646 S * 9/2017 Schoenherr D23/284
D879,920 S * 3/2020 Huang D23/284

(71) Applicant: **LG ELECTRONICS INC.**, Seoul
(KR)

* cited by examiner

(72) Inventors: **Jaeyoung Kim**, Seoul (KR); **Yihyun Moon**, Seoul (KR); **Hyunju Kim**, Seoul (KR); **Hye Hyun Kim**, Seoul (KR); **Jaehoon Cho**, Seoul (KR); **Joohyeon Oh**, Seoul (KR)

Primary Examiner — Robert A Delehanty
(74) *Attorney, Agent, or Firm* — Birch, Stewart, Kolasch & Birch, LLP

(73) Assignee: **LG ELECTRONICS INC.**, Seoul
(KR)

(57) **CLAIM**

We claim the ornamental design for a kitchen sink cabinet, as shown and described.

(**) Term: **15 Years**

DESCRIPTION

(21) Appl. No.: **29/738,279**

(22) Filed: **Jun. 16, 2020**

(30) **Foreign Application Priority Data**

Dec. 17, 2019 (KR) 30-2019-0061383

(51) **LOC (13) Cl.** **23-02**

(52) **U.S. Cl.**
USPC **D23/284**

(58) **Field of Classification Search**
USPC D23/284, 286–287, 291–293.1, 308;
D32/55

See application file for complete search history.

(56) **References Cited**

U.S. PATENT DOCUMENTS

5,860,172 A * 1/1999 Pfeiffer E03C 1/18
4/619
5,988,193 A * 11/1999 Hernandez A61C 19/002
134/186
D449,875 S * 10/2001 Fludd-Robinson E03C 1/186
D23/308
D631,952 S * 2/2011 Marcoff D32/55

FIG. 1 is a front perspective view of a kitchen sink cabinet showing the new design;
FIG. 2 is a rear perspective view thereof;
FIG. 3 is a front elevation view thereof;
FIG. 4 is a rear elevation view thereof;
FIG. 5 is a left-side elevation view thereof;
FIG. 6 is a right-side elevation view thereof;
FIG. 7 is a top plan view thereof;
FIG. 8 is a bottom plan view thereof;
FIG. 9 is a front perspective view of a kitchen sink cabinet showing a state of the layered sink cover rotated at 90 degrees;
FIG. 10 is a rear perspective view thereof;
FIG. 11 is a front elevation view thereof;
FIG. 12 is a rear elevation view thereof;
FIG. 13 is a left-side elevation view thereof;
FIG. 14 is a right-side elevation view thereof;
FIG. 15 is a top plan view thereof; and,
FIG. 16 is a bottom plan view thereof.

The broken lines in the drawing figures are for purpose of illustrating an environment of use and form no part of the claimed design.

1 Claim, 16 Drawing Sheets

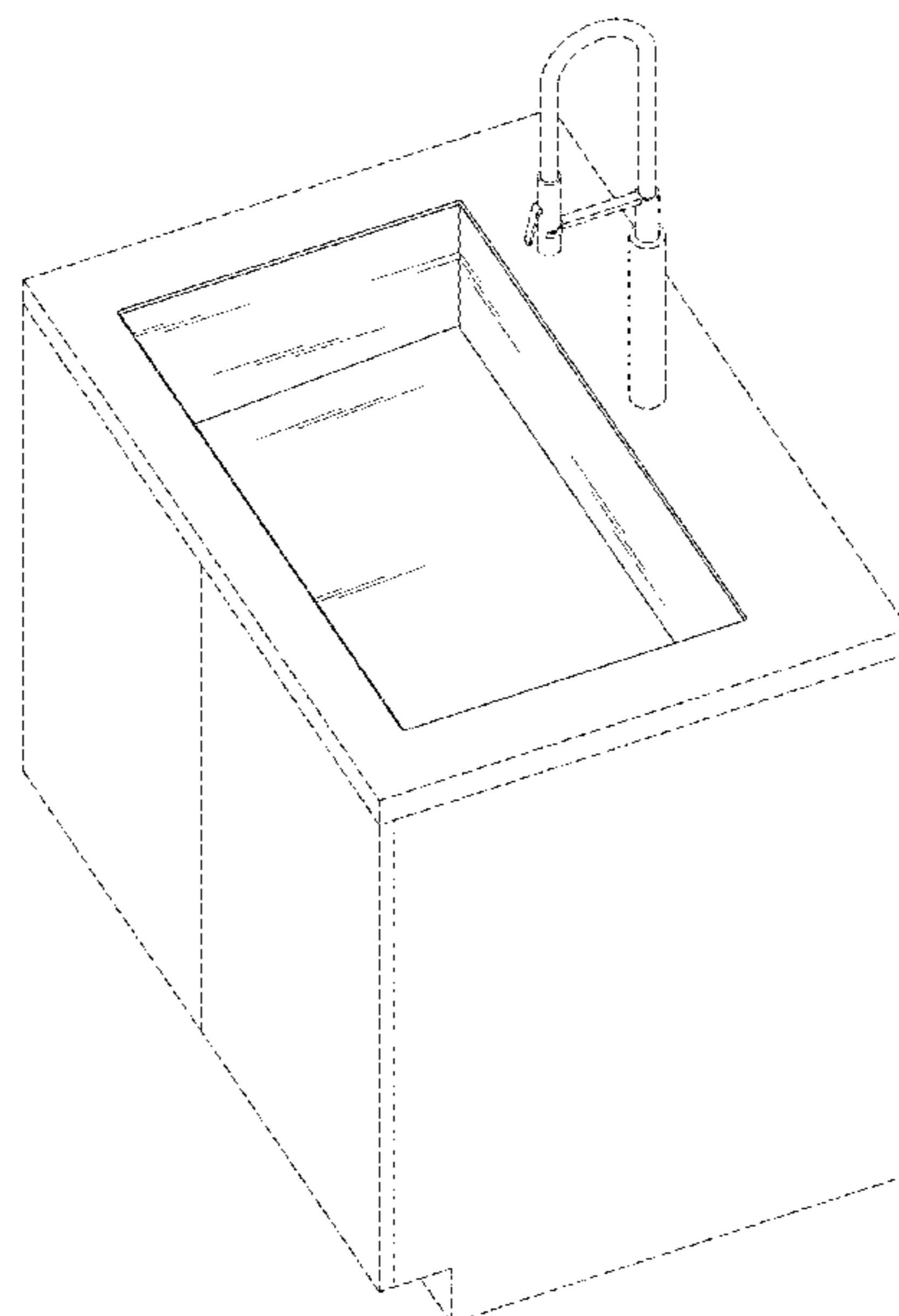


FIG. 1

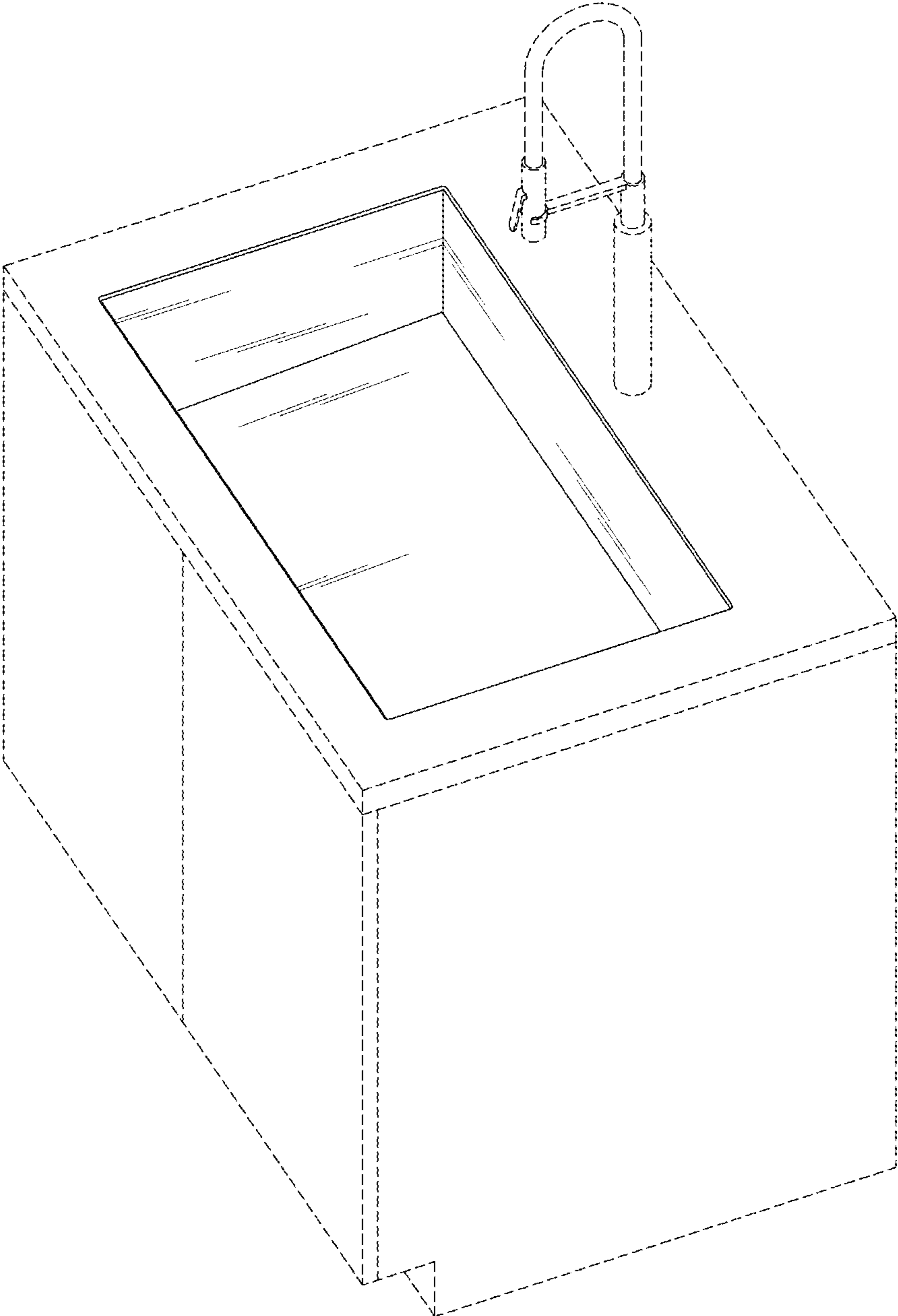


FIG. 2

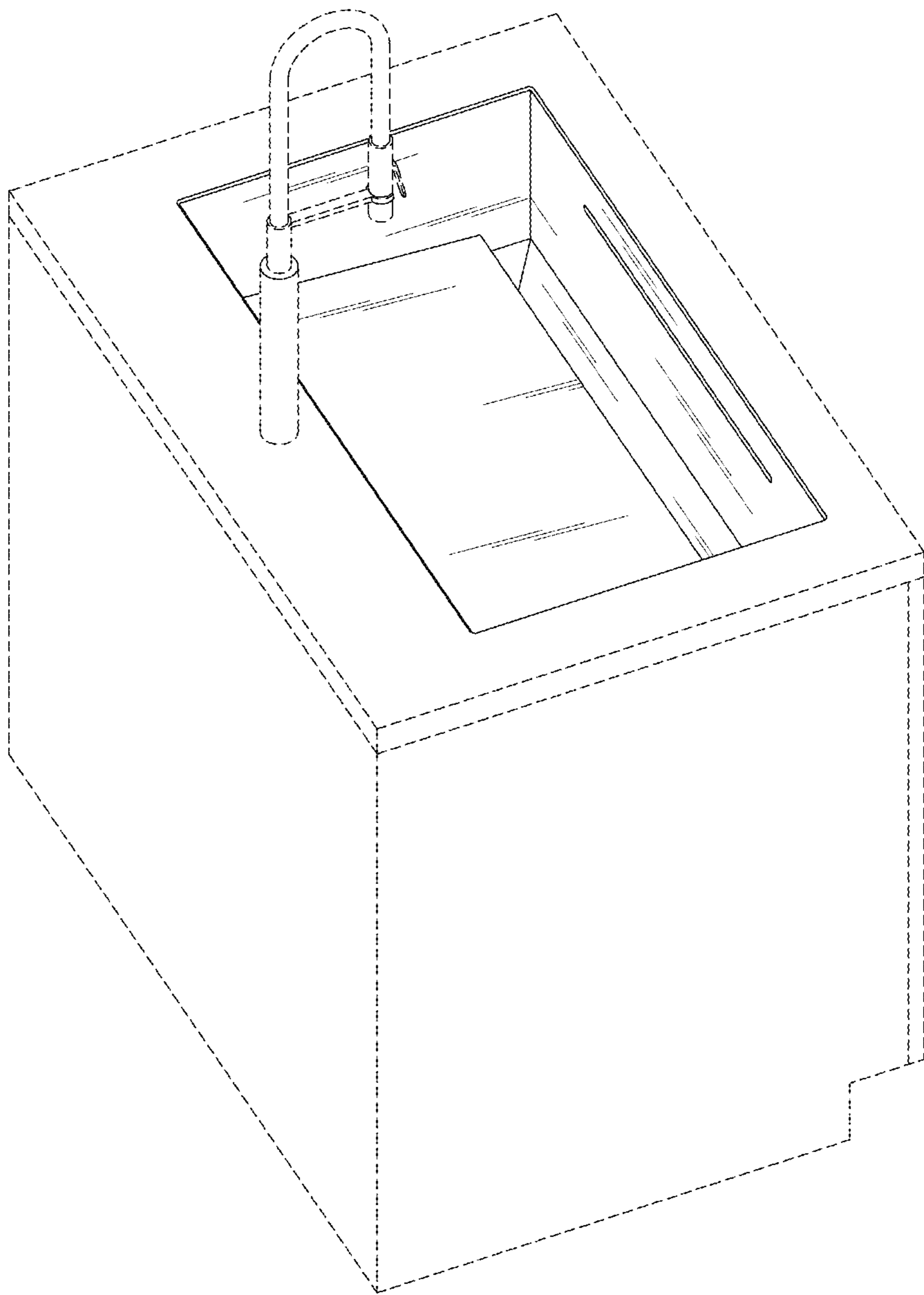


FIG. 3

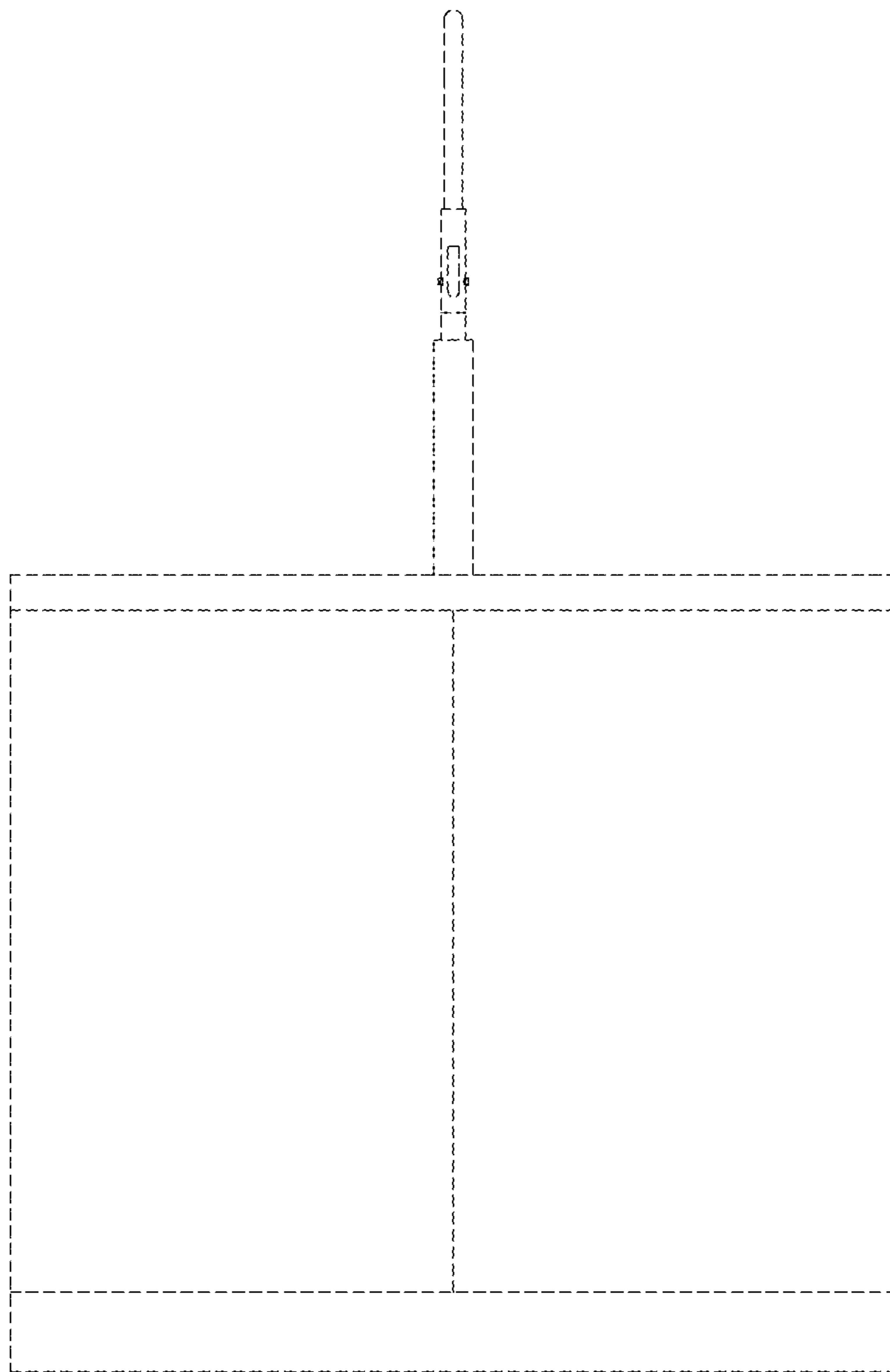


FIG. 4

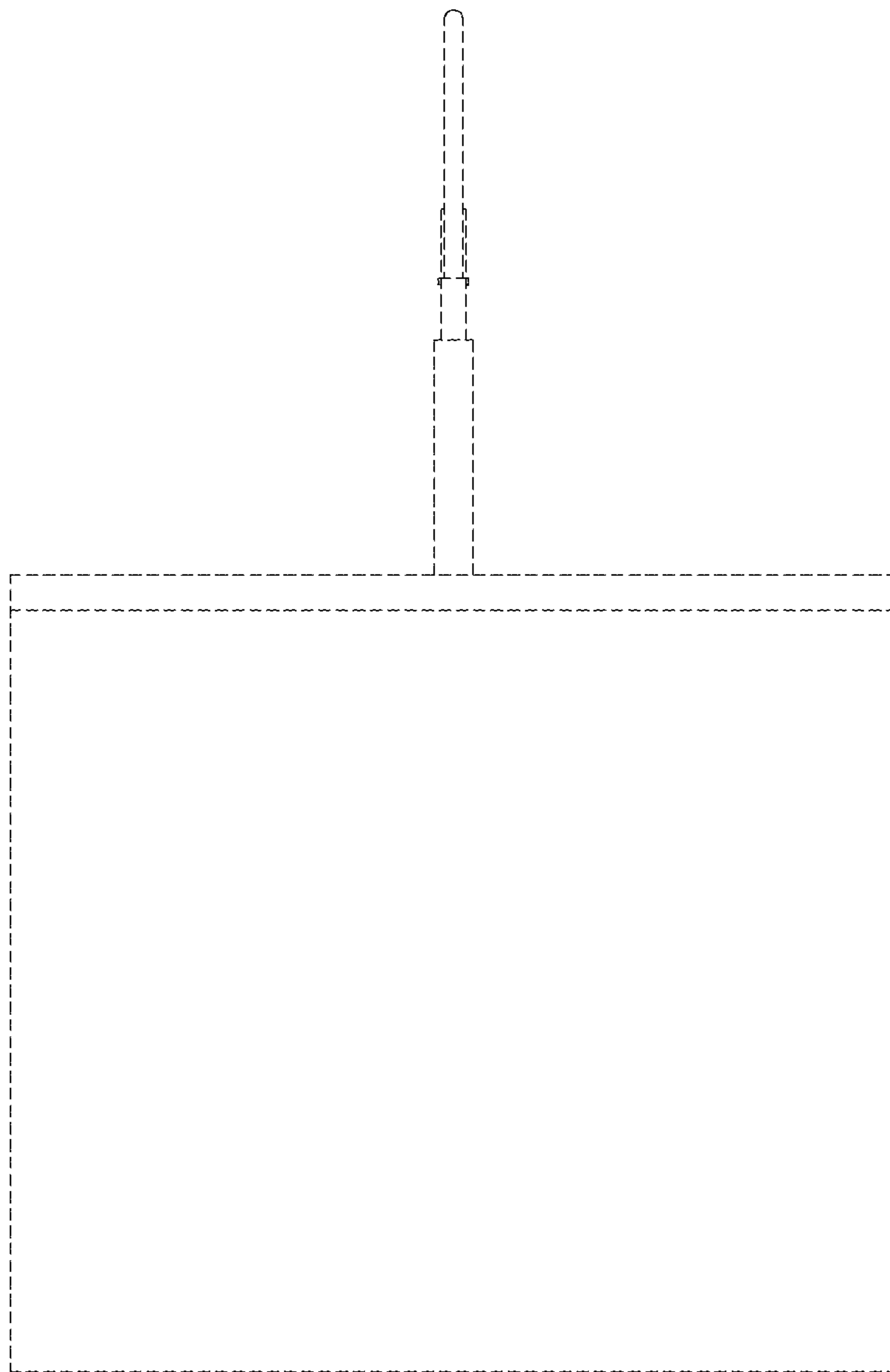


FIG. 5

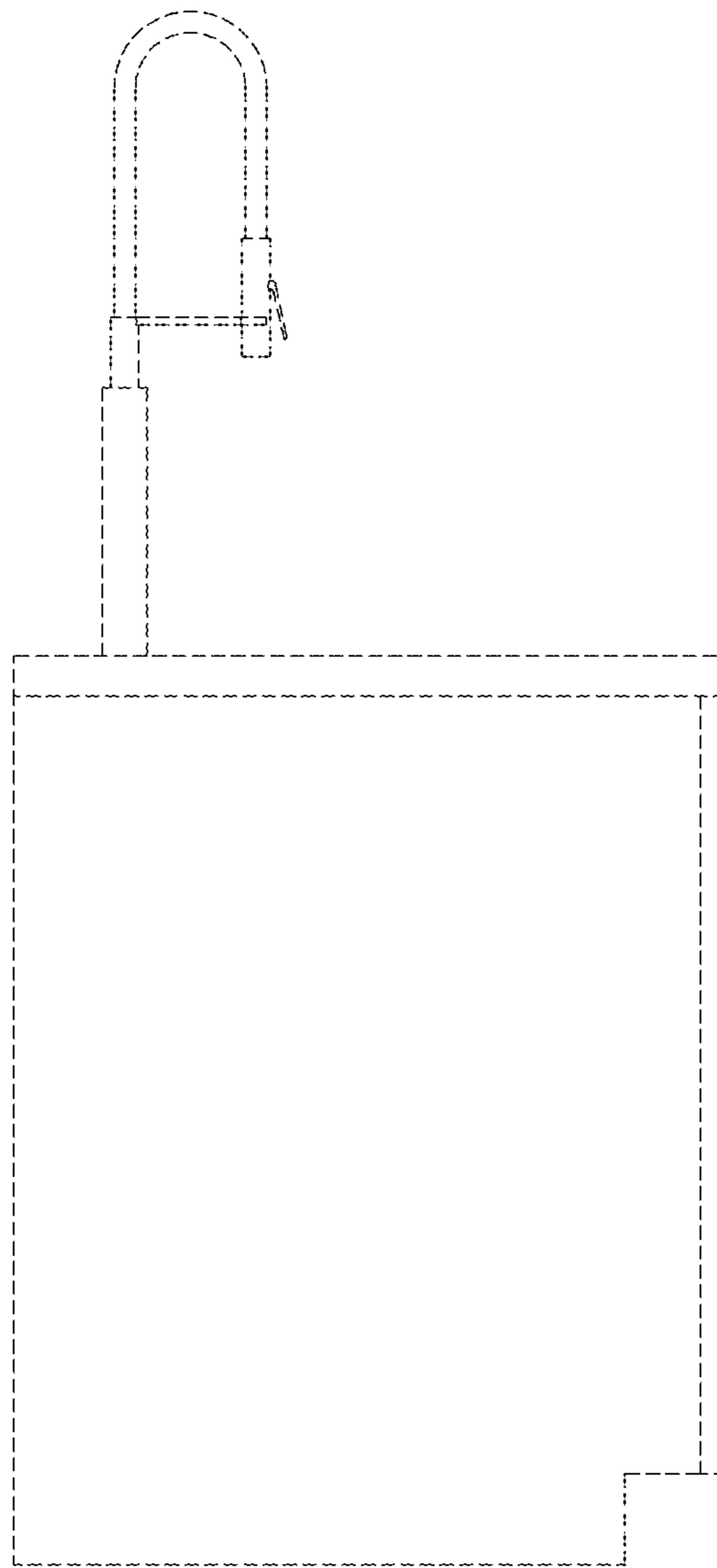


FIG. 6

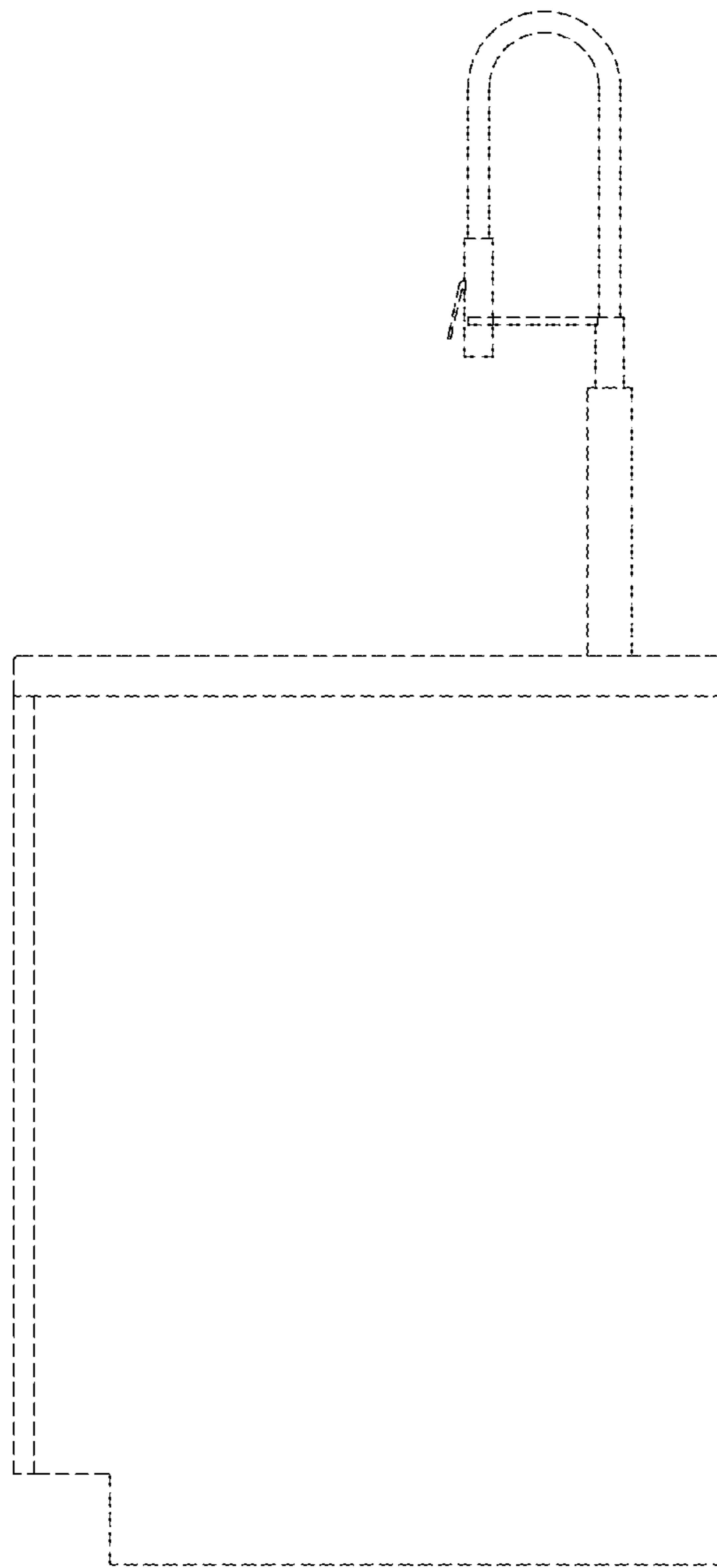


FIG. 7

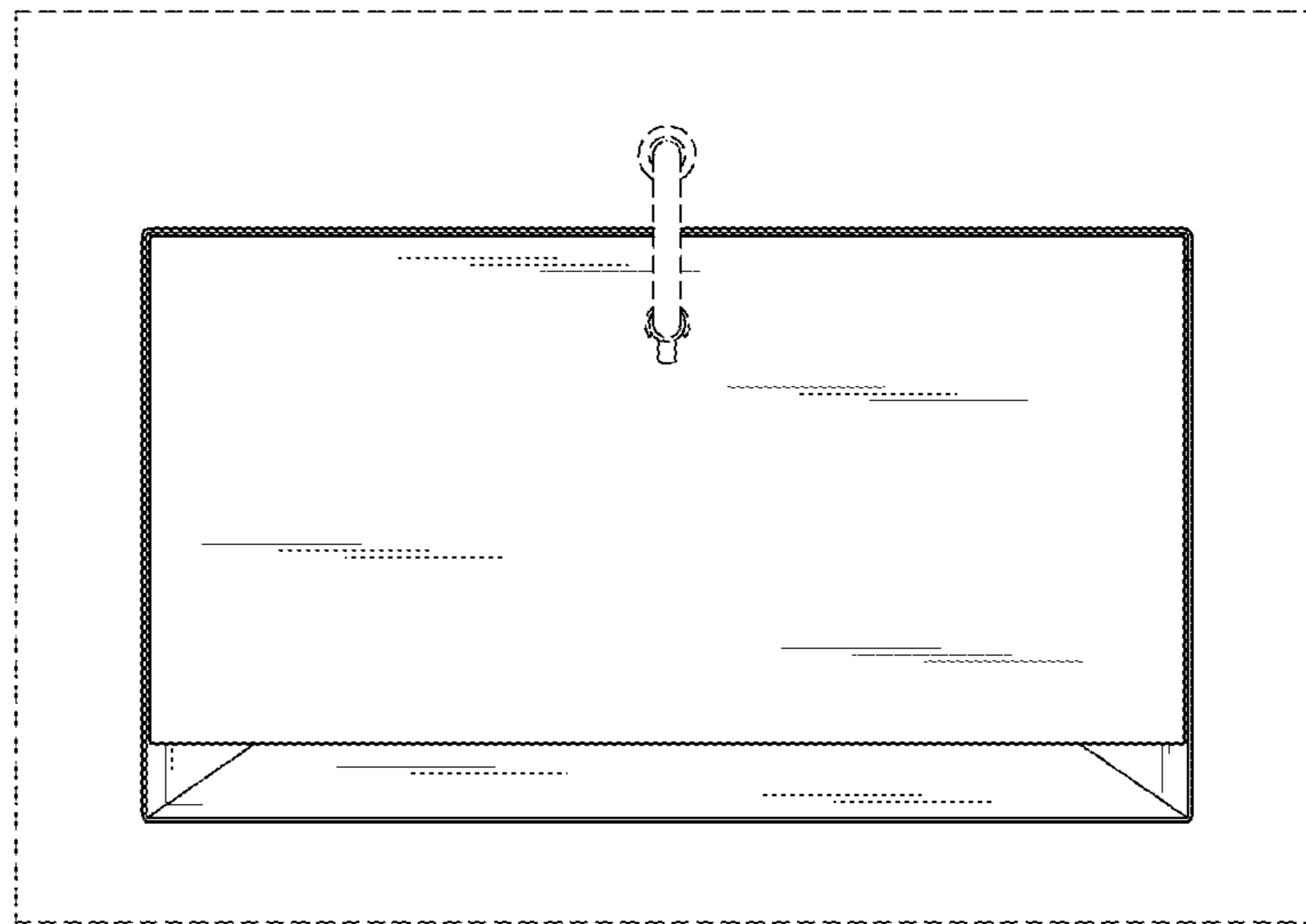


FIG. 8

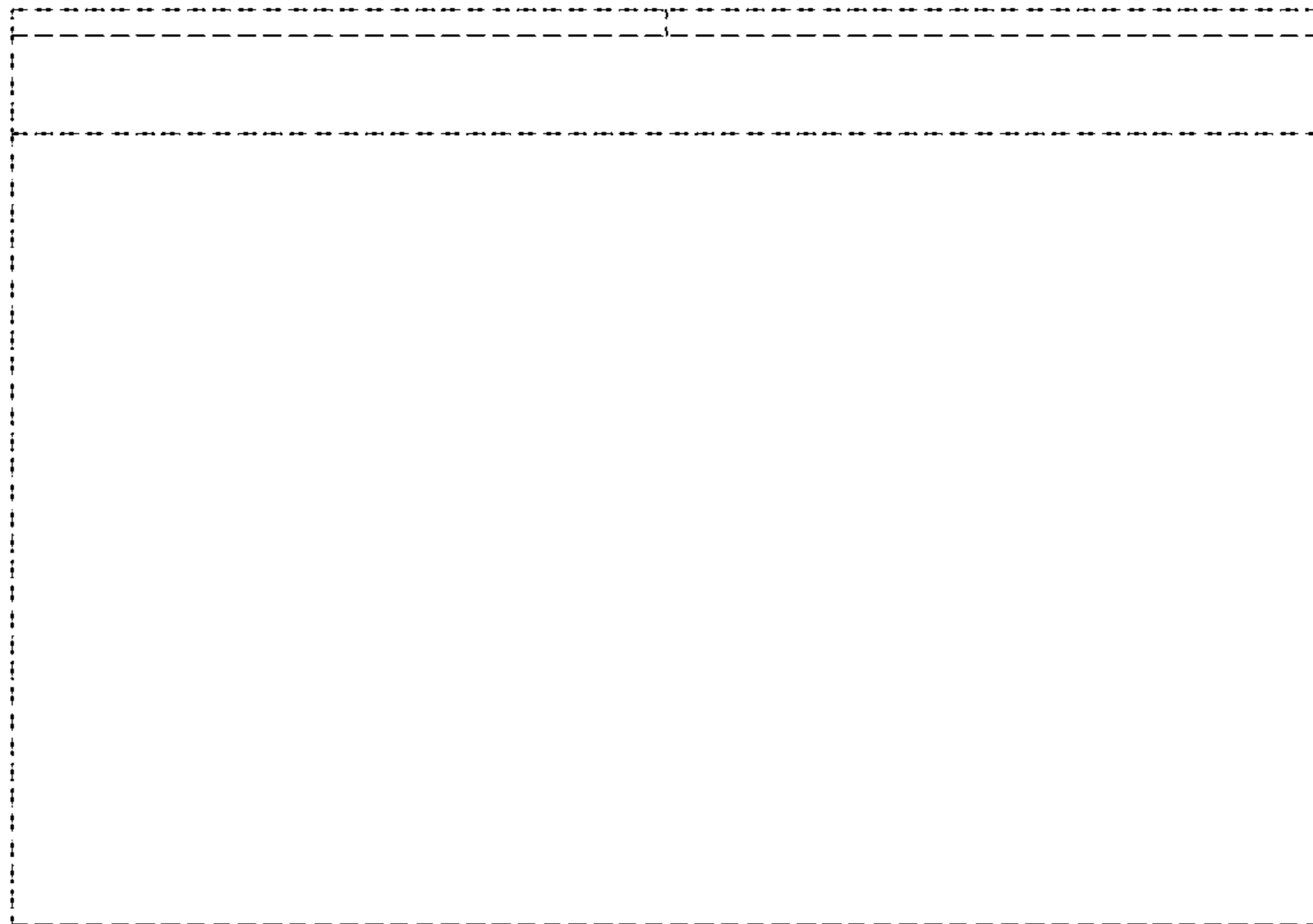


FIG. 9

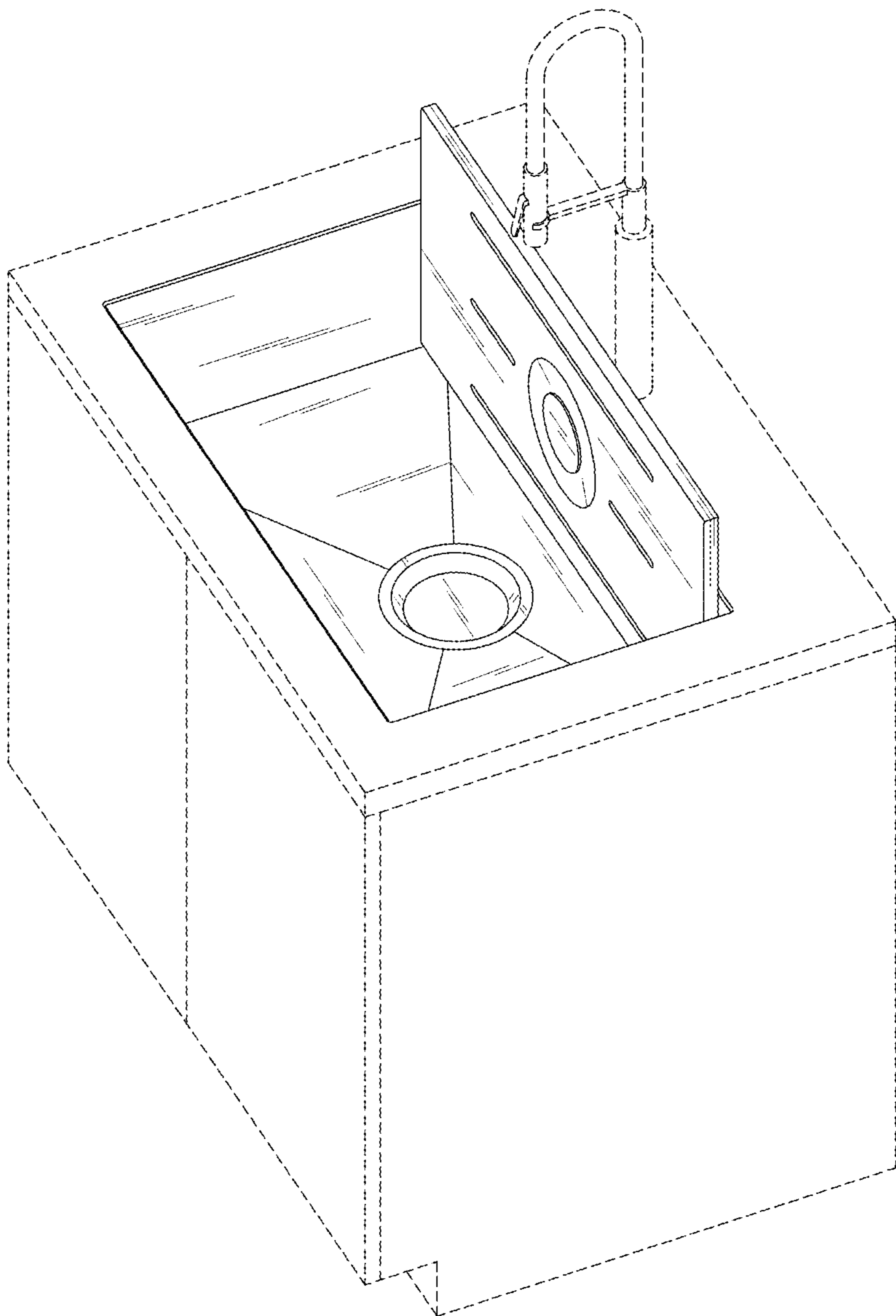


FIG. 10

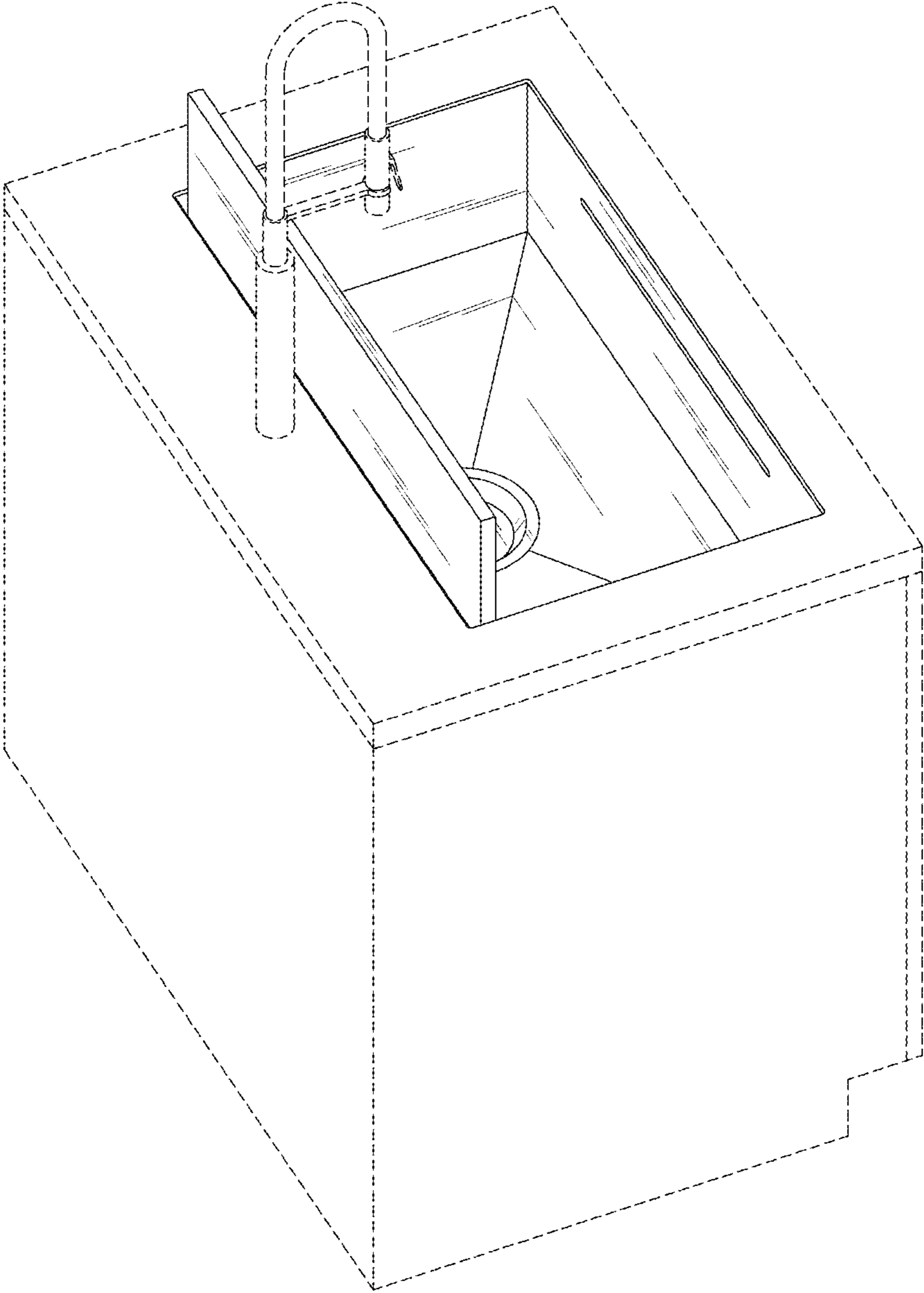


FIG. 11

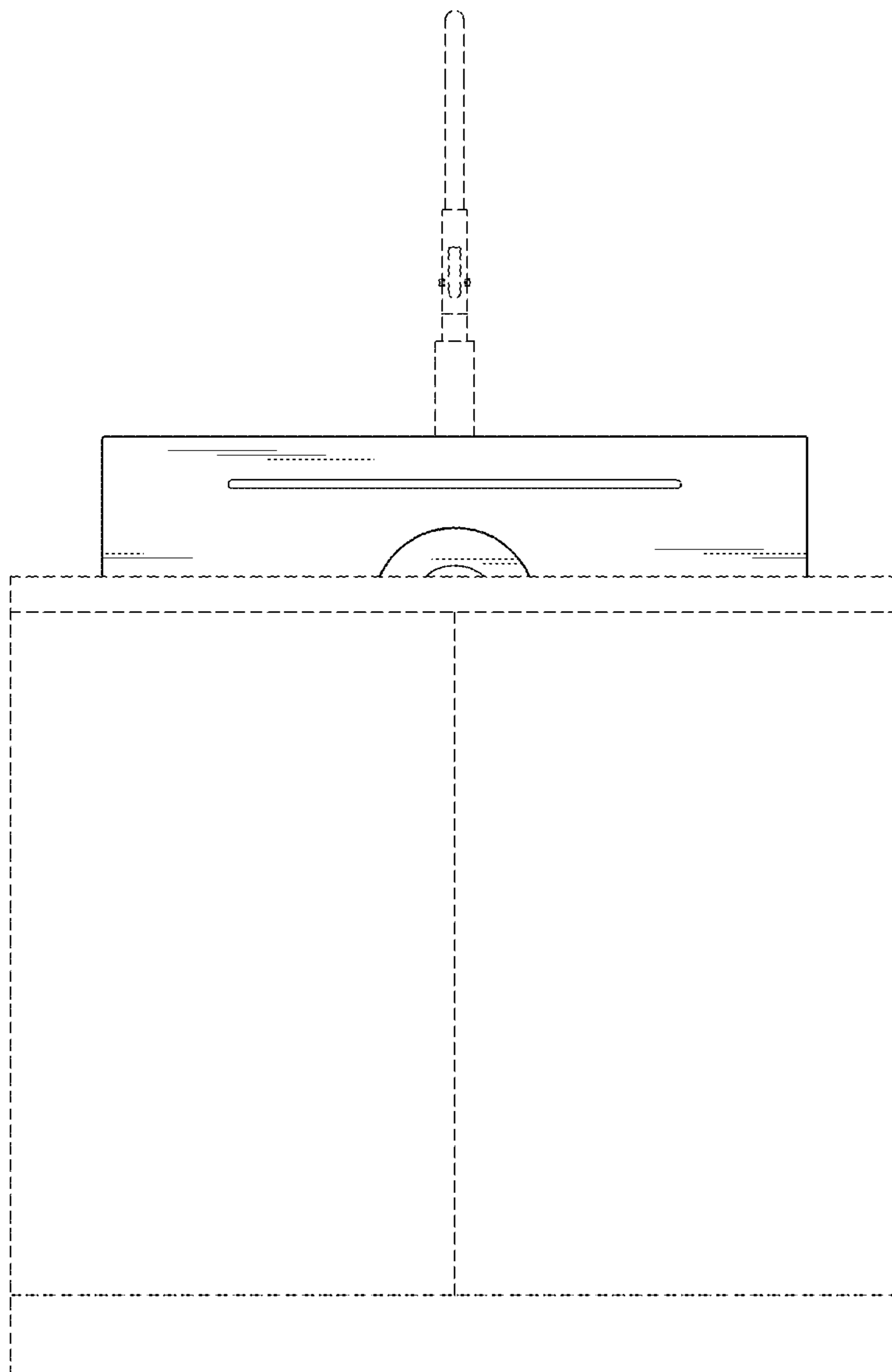


FIG. 12

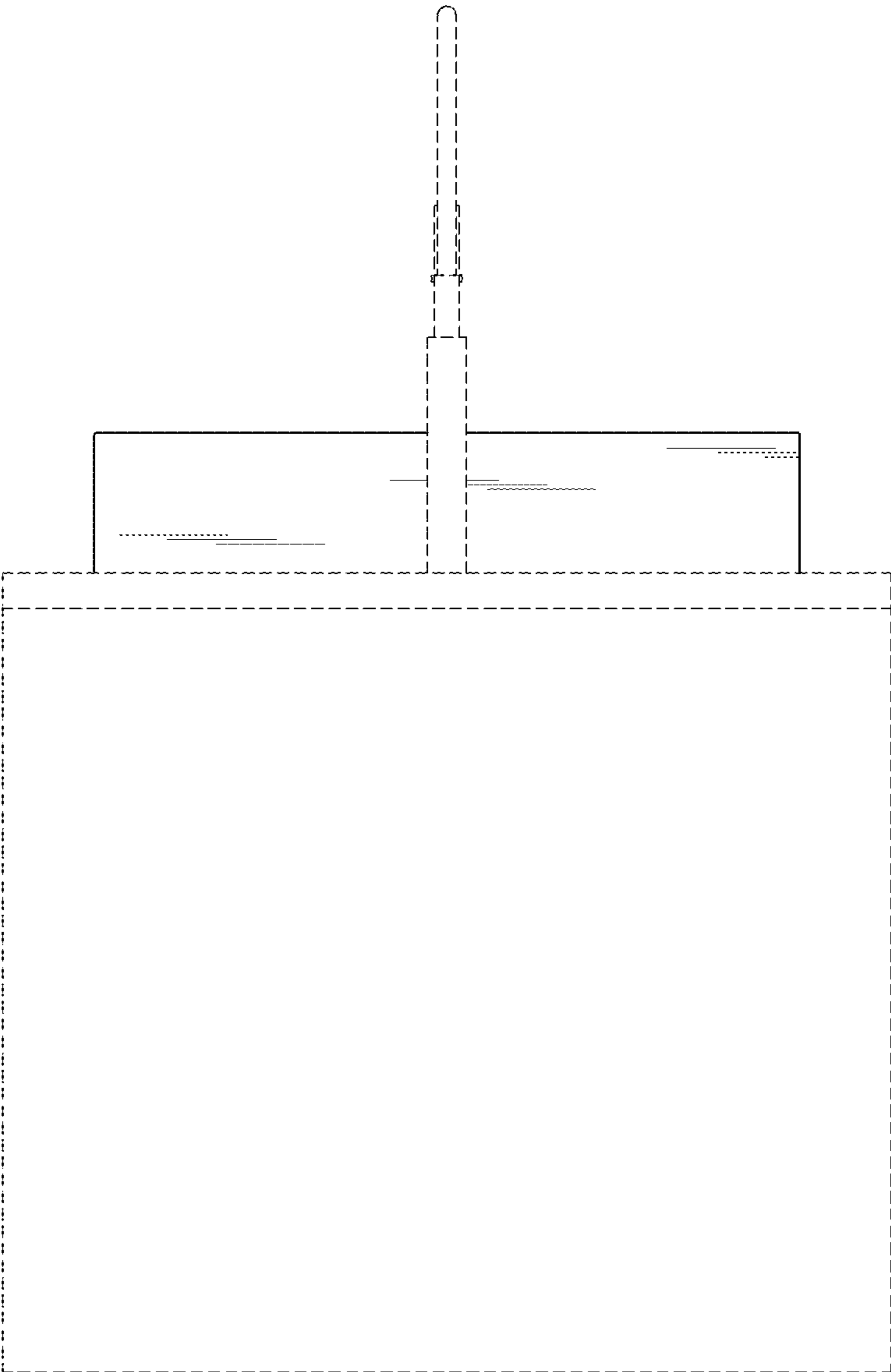


FIG. 13

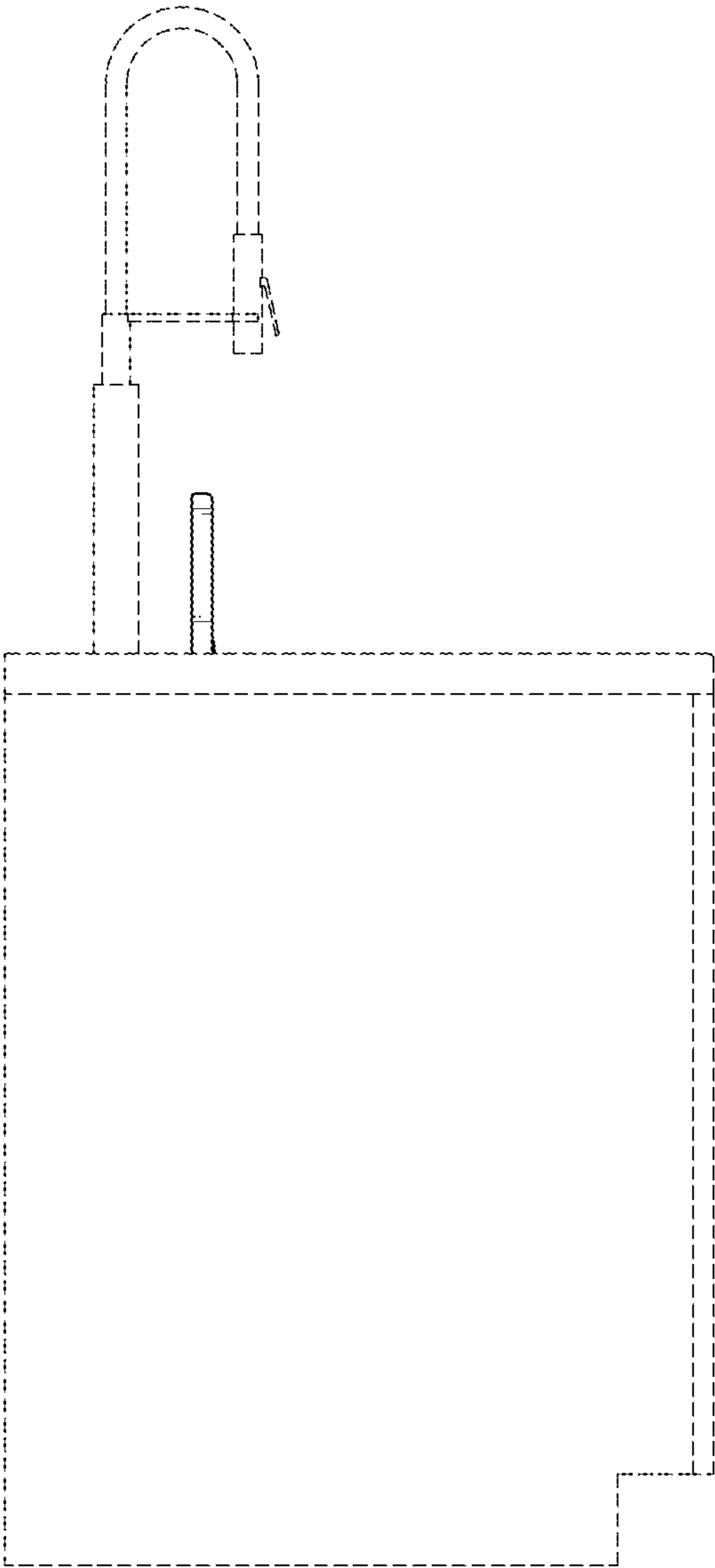


FIG. 14

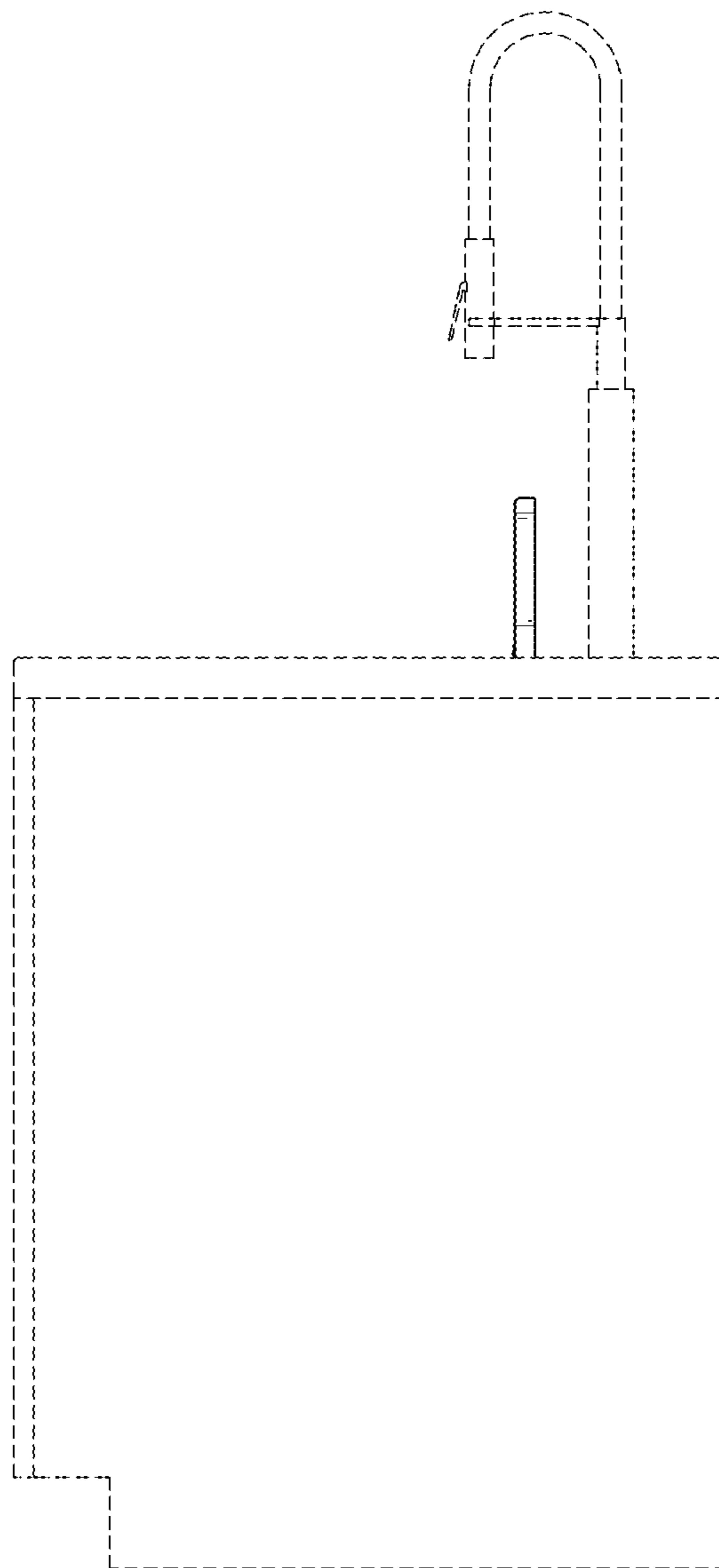


FIG. 15

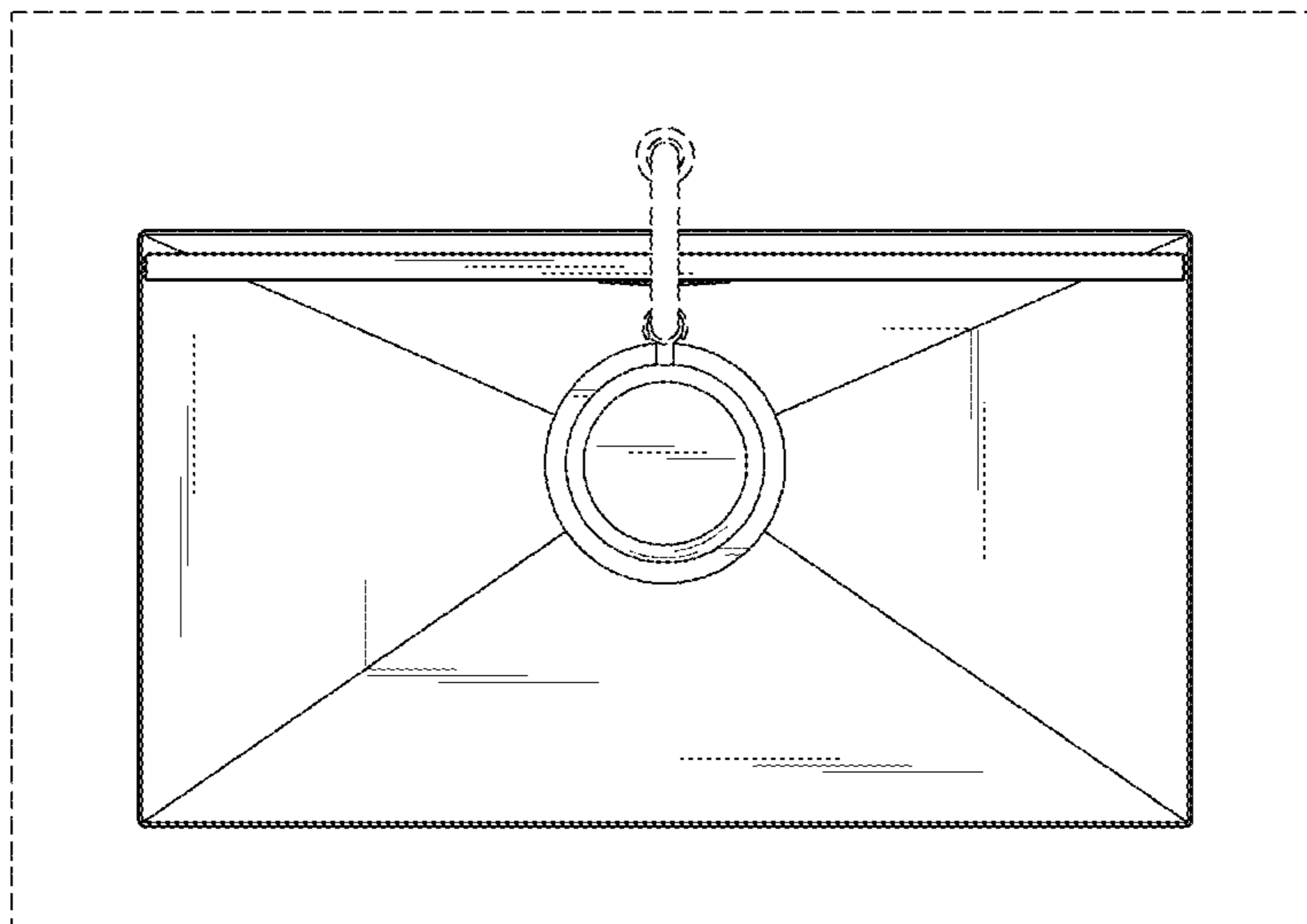


FIG. 16

