



US00D958941S

(12) **United States Design Patent** (10) **Patent No.:** **US D958,941 S**
Yu (45) **Date of Patent:** **** Jul. 26, 2022**

(54) **FAUCET**
(71) Applicant: **GLOBE UNION INDUSTRIAL CORP., Taichung (TW)**
(72) Inventor: **Yung-Cheng Yu, Taichung (TW)**
(73) Assignee: **GLOBE UNION INDUSTRIAL CORP., Taichung (TW)**
(**) Term: **15 Years**
(21) Appl. No.: **29/766,661**
(22) Filed: **Jan. 18, 2021**
(51) **LOC (13) Cl.** **23-01**
(52) **U.S. Cl.**
USPC **D23/242**
(58) **Field of Classification Search**
USPC D23/238, 239, 240, 241, 242, 243, 246,
D23/247, 248, 249, 250, 251, 252, 253,
D23/254, 255, 256, 257
CPC E03C 1/00; E03C 1/01; E03C 1/02; E03C
1/023; E03C 1/04; E03C 1/0401; E03C
1/0403; E03C 1/0404; E03C 1/0412;
E03C 1/05; E03C 1/042; F16K 31/60
See application file for complete search history.

D846,083 S * 4/2019 Garland D23/255
D882,734 S * 4/2020 Seum D23/238
D896,349 S * 9/2020 Kuang D23/242
D916,242 S * 4/2021 Xie D23/238
D938,553 S * 12/2021 He D23/242

FOREIGN PATENT DOCUMENTS

CN 202130213667.0 * 4/2021

OTHER PUBLICATIONS

Lowes, Allen + Roth Camberly Chrome Widespread WaterSense Bathroom sink faucet, no post date, [online], [visited May 19, 2022]. Internet, <URL: <https://www.lowes.com/pd/allen-roth-2-Handle-Widespread-WaterSense-Bathroom-Sink-Faucet-with-Drain/5001873471>> (Year: 2022).*

* cited by examiner

Primary Examiner — Samantha Wood
(74) *Attorney, Agent, or Firm* — Leong C. Lei

(57) **CLAIM**

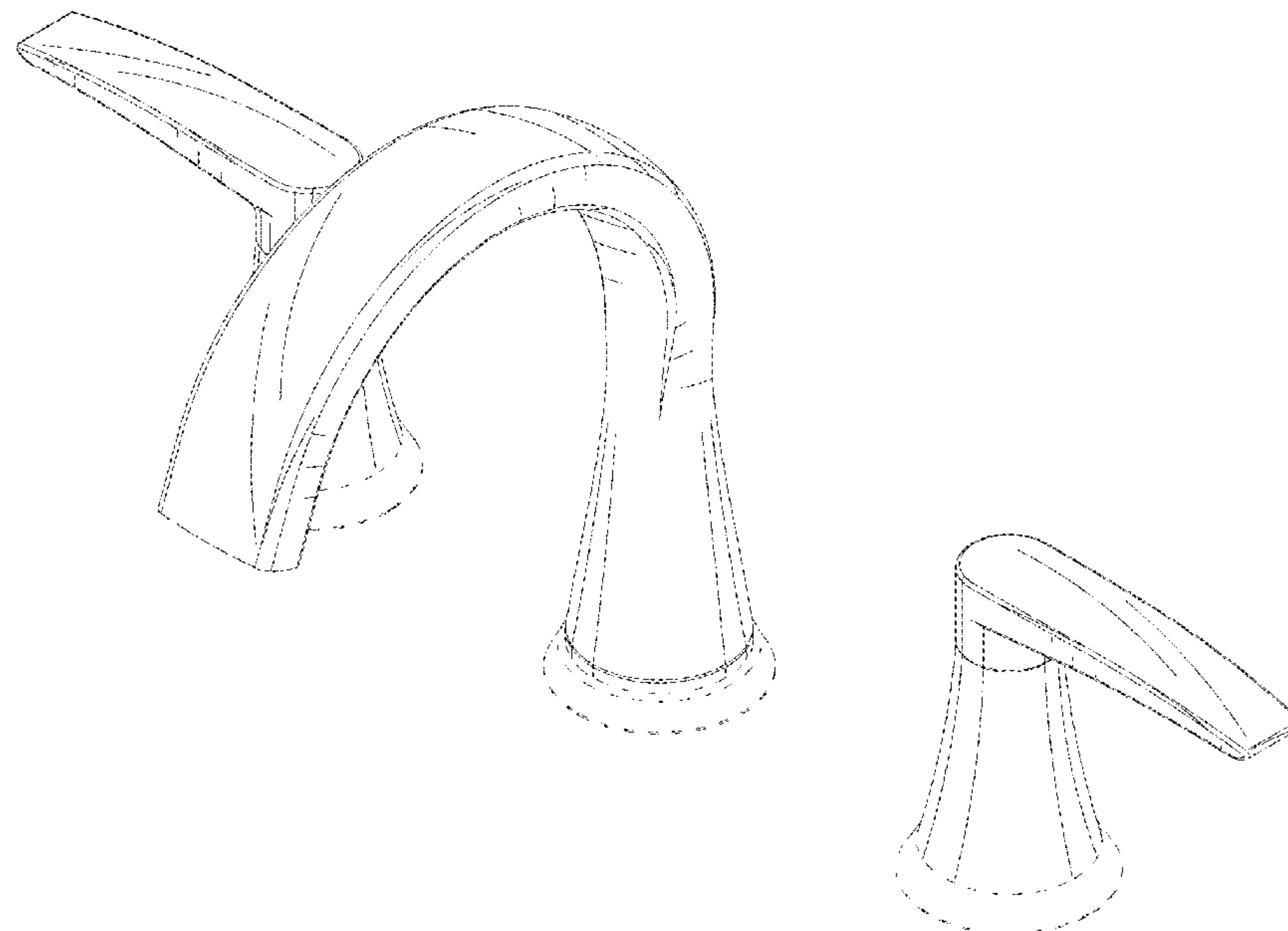
The ornamental design for a faucet, as shown and described.

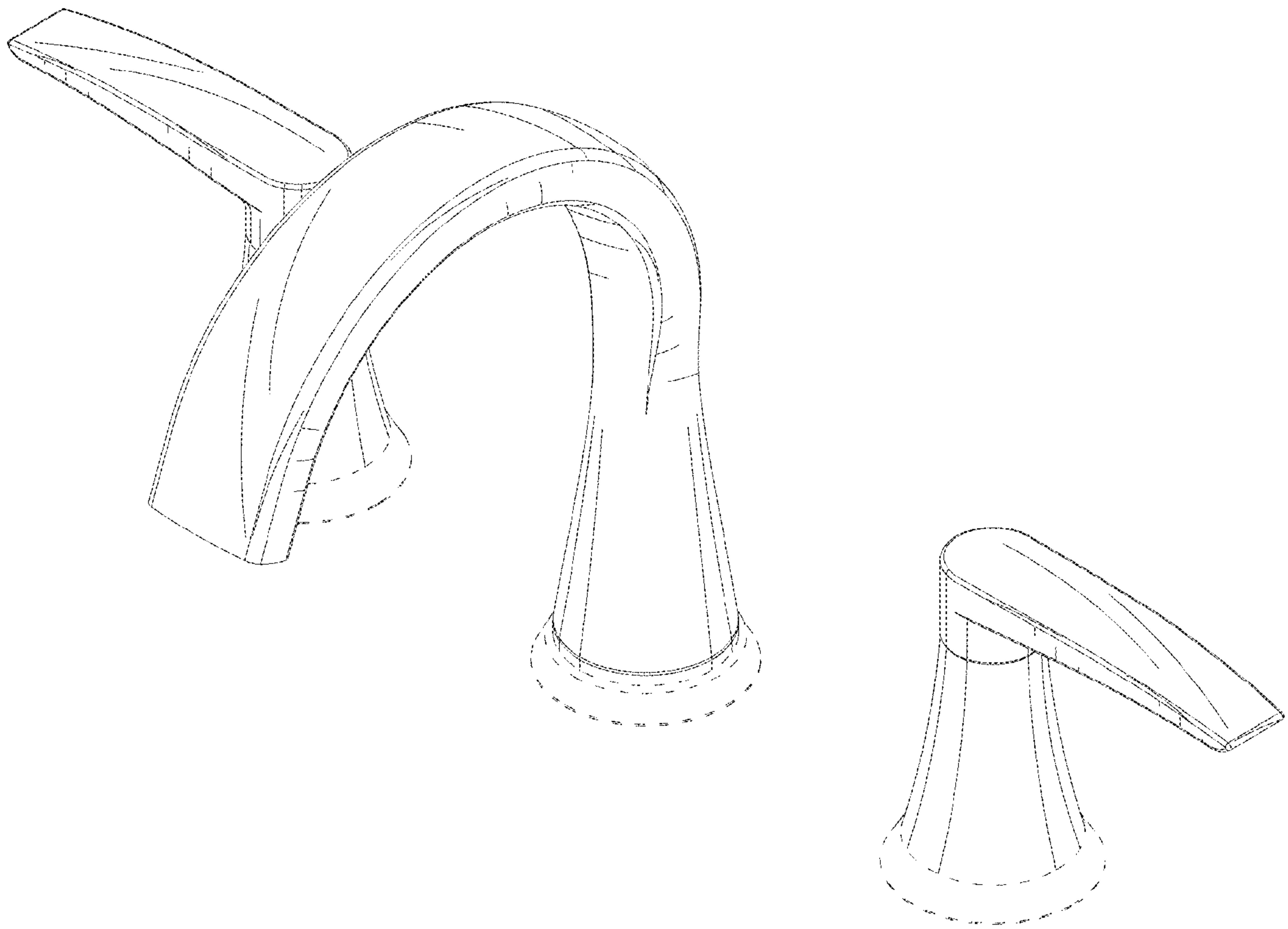
DESCRIPTION

FIG. 1 is a perspective view of a faucet showing my new design;
FIG. 2 is a front elevational view thereof;
FIG. 3 is a rear elevational view thereof;
FIG. 4 is a left side elevational view thereof;
FIG. 5 is a right side elevational view thereof;
FIG. 6 is a top plan view thereof; and,
FIG. 7 is a bottom plan view thereof.
The portions shown in broken lines form no part of the claimed design.

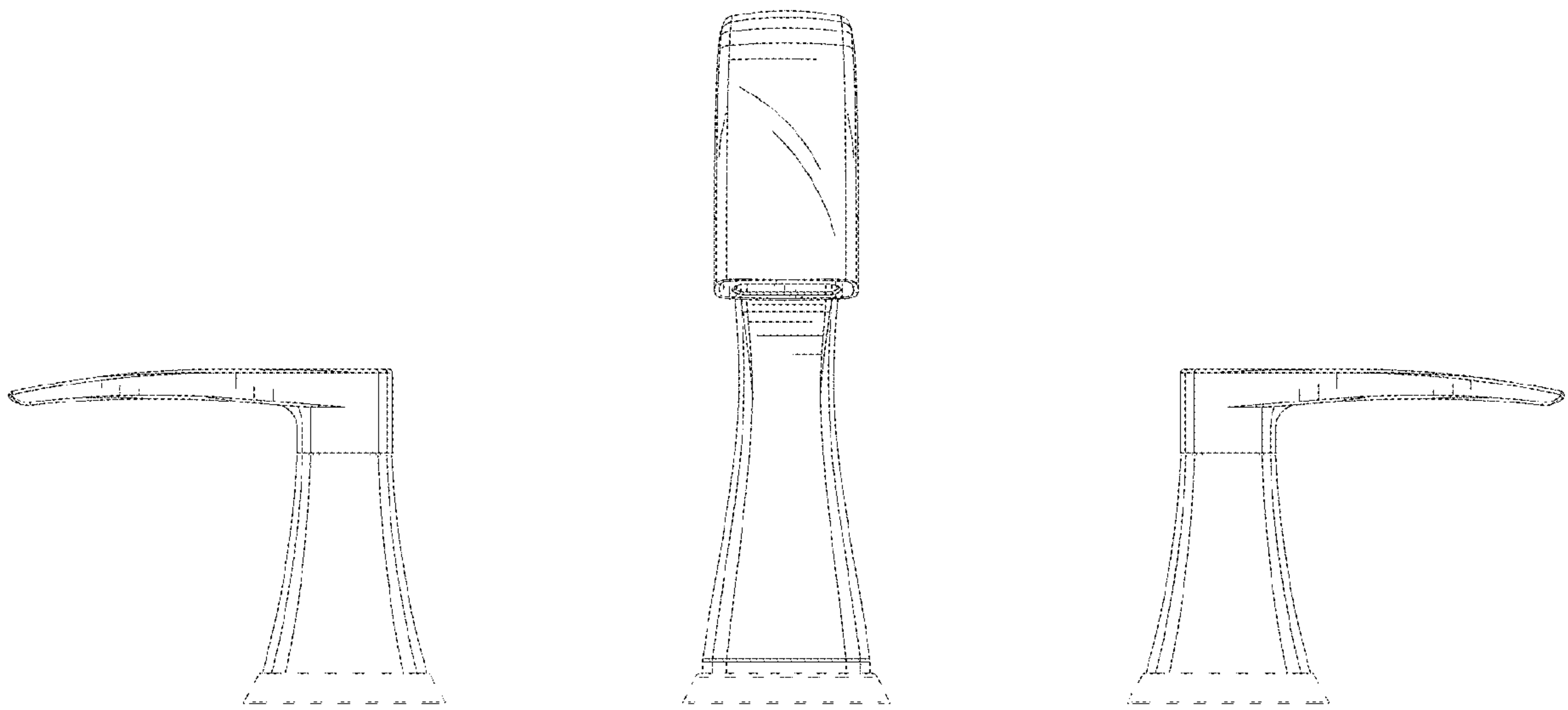
1 Claim, 7 Drawing Sheets

(56) **References Cited**
U.S. PATENT DOCUMENTS
D492,392 S * 6/2004 Pohl D23/242
D536,065 S * 1/2007 Wang D23/238
D563,524 S * 3/2008 Wolf D23/238
D572,346 S * 7/2008 Painter D23/242
D579,089 S * 10/2008 Dolan D23/255
D680,624 S * 4/2013 Romero D23/242
D724,184 S * 3/2015 Cahill D23/255
D793,532 S * 8/2017 Fritz D23/242
D796,638 S * 9/2017 Liao D23/242
D828,506 S * 9/2018 Schoenherr D23/238

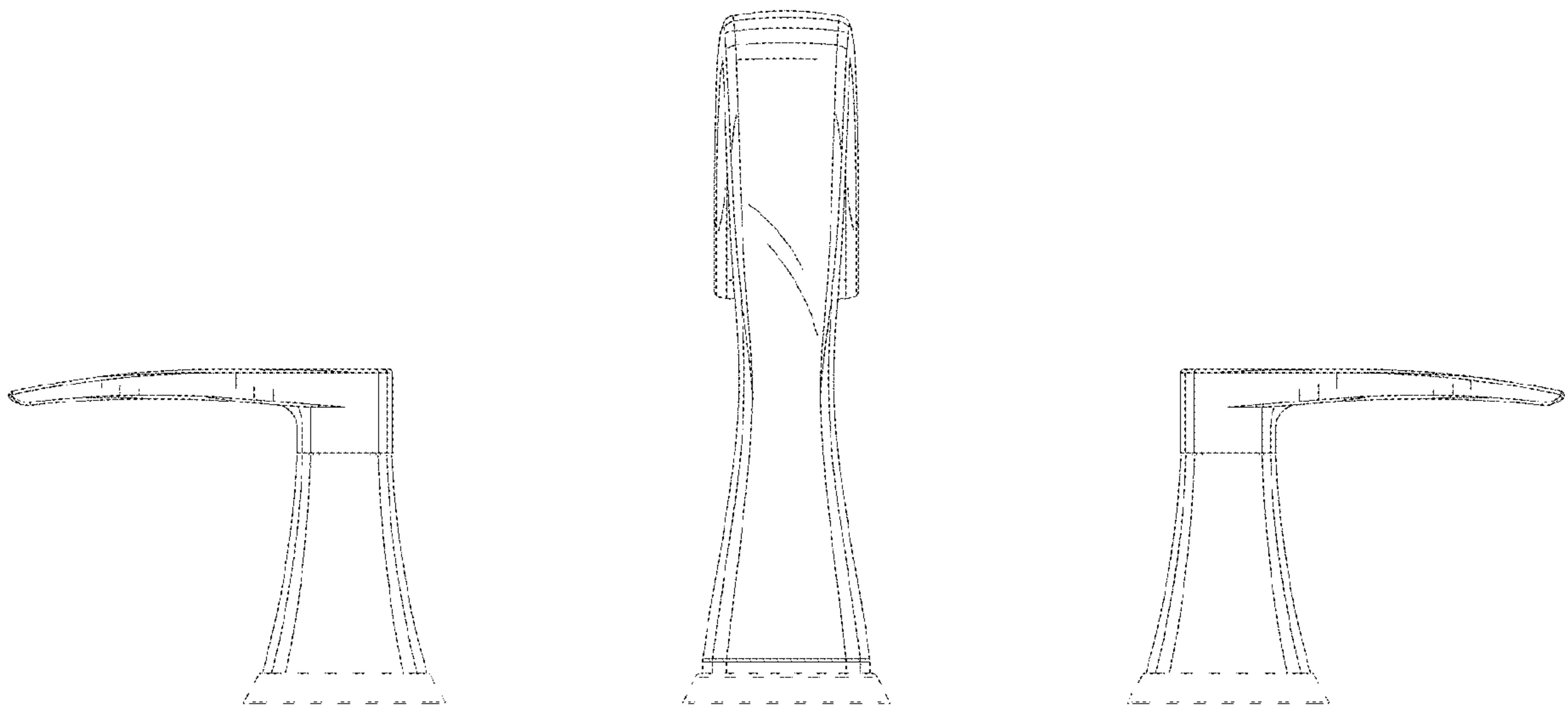




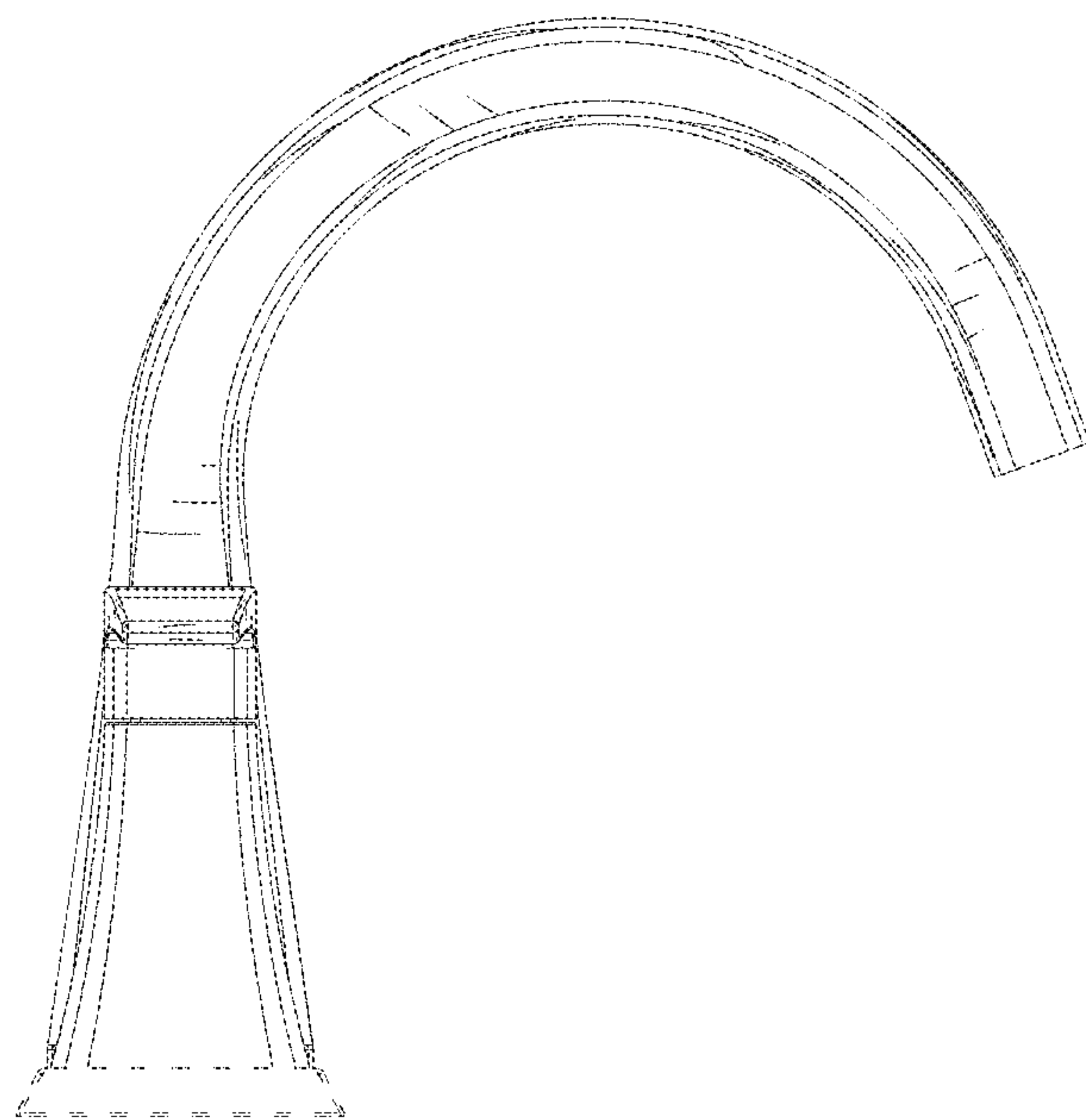
F I G . 1



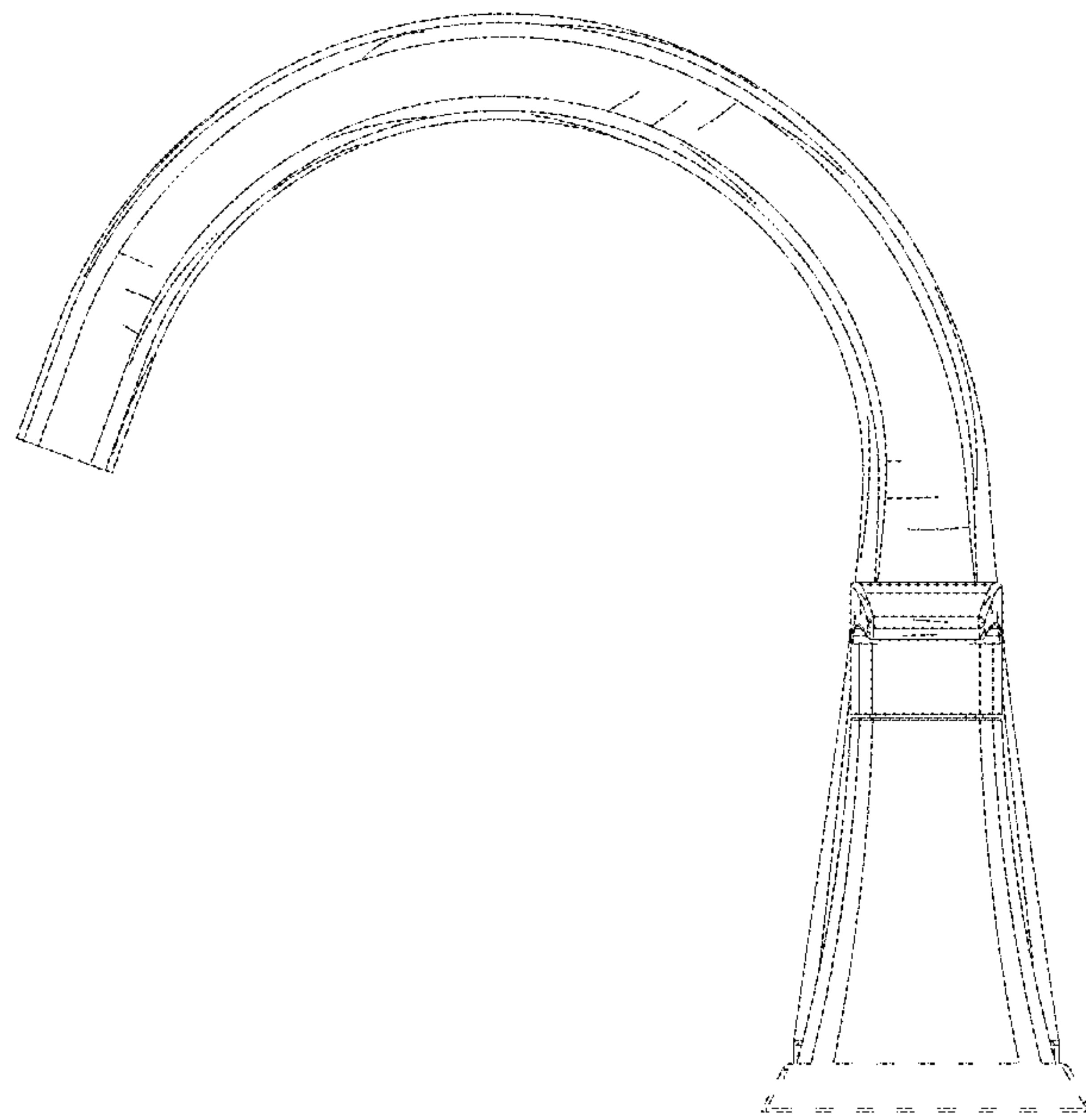
F I G . 2



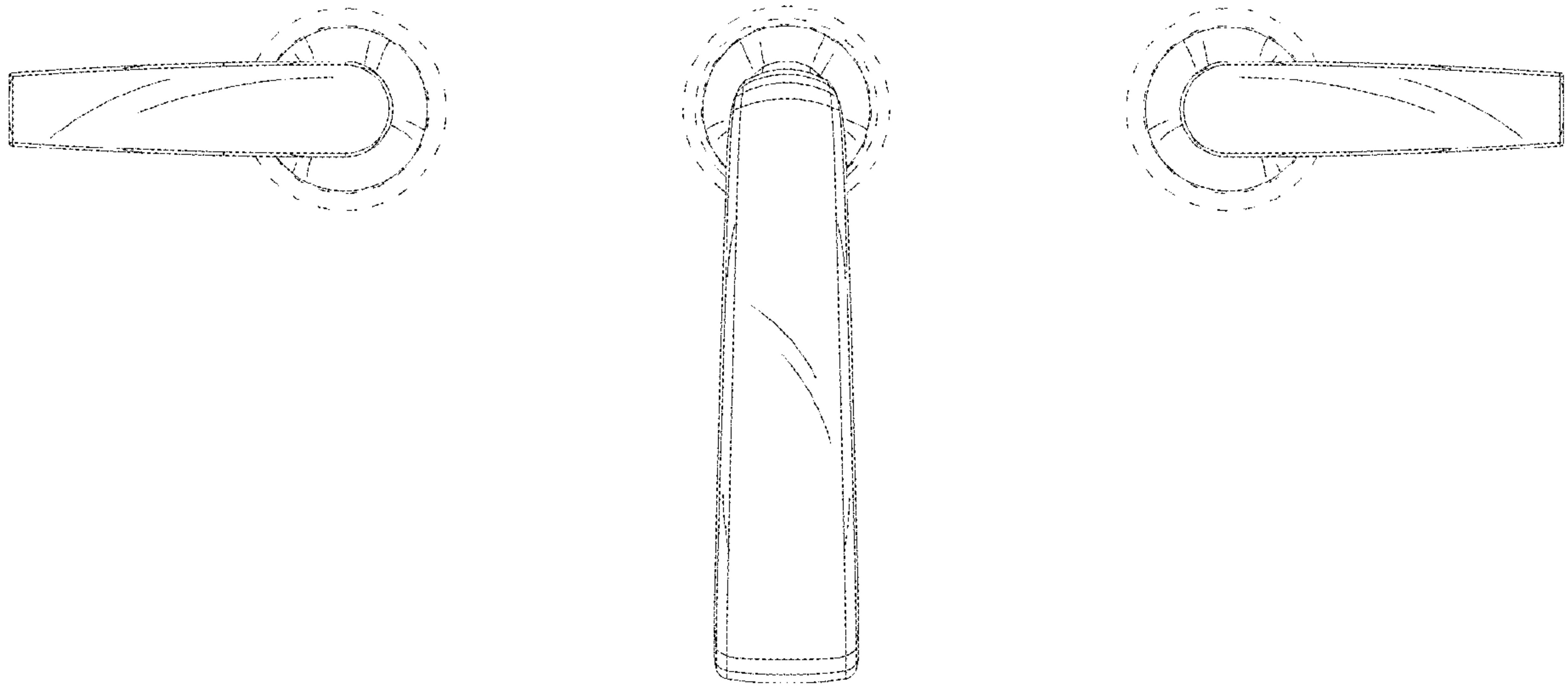
F I G. 3



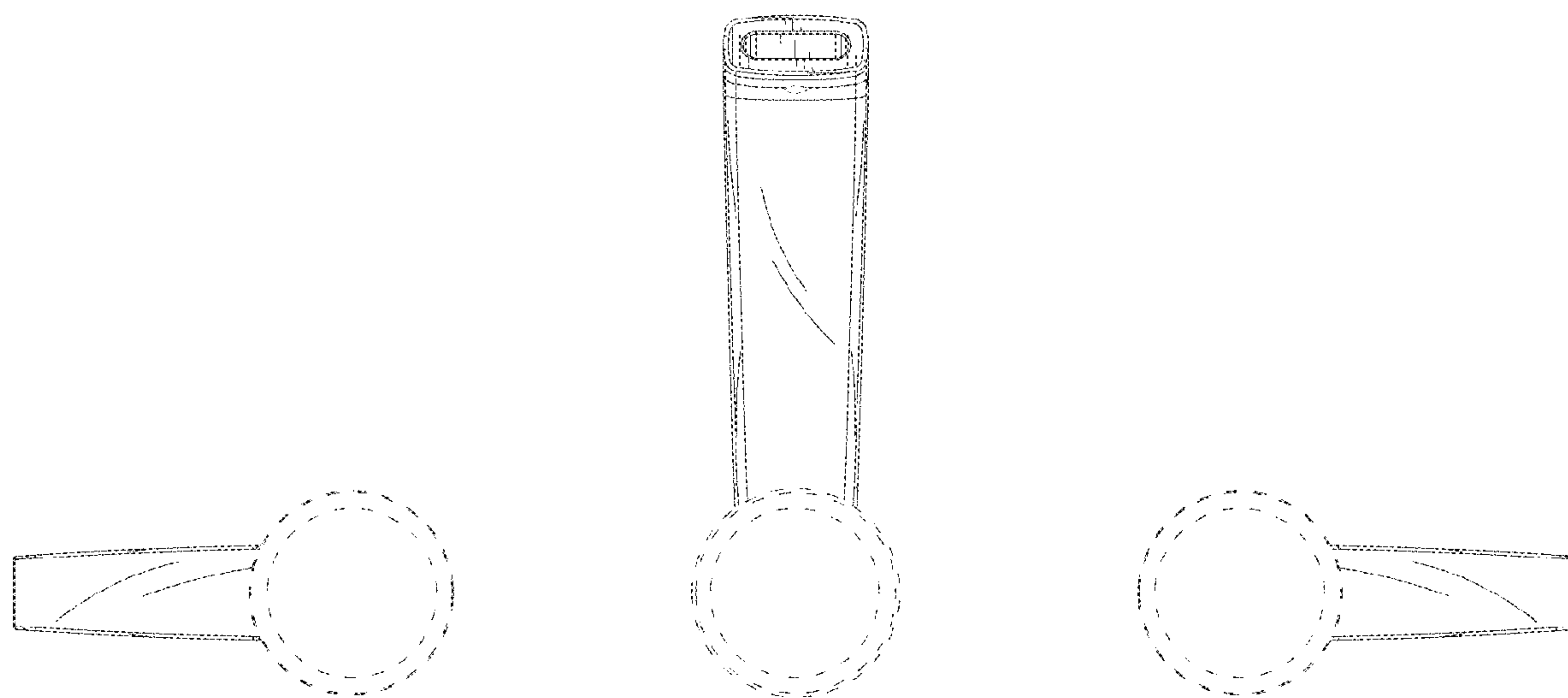
F I G . 4



F I G . 5



F I G. 6



F I G. 7