



US00D958940S

(12) **United States Design Patent** (10) **Patent No.:** **US D958,940 S**
Tu (45) **Date of Patent:** **** Jul. 26, 2022**

(54) **FAUCET**

FOREIGN PATENT DOCUMENTS

(71) Applicant: **GLOBE UNION INDUSTRIAL CORP.**, Taichung (TW)

CN 202130305026.8 * 5/2021

(72) Inventor: **Chun-Yi Tu**, Taichung (TW)

OTHER PUBLICATIONS

(73) Assignee: **GLOBE UNION INDUSTRIAL CORP.**, Taichung (TW)

Amazon, DAYONE Bathroom Sink Faucet, posted Oct. 16, 2020, [online], [visited May 17, 2022]. Internet, <URL: <https://www.amazon.com/DAYONE-Bathroom-Centerset-Lavatory-DAY135BN/dp/B08L92R36Q/ref?th=1>> (Year: 2020).*

(**) Term: **15 Years**

Amazon, PARLOS Widesprea 2 Handles Bathroom Faucet, posted Jan. 30, 2018, [online], [visited May 19, 2022]. Internet, <URL: <https://www.amazon.com/Widespread-Handles-Bathroom-Brushed-Demeter/dp/B079FR5BFH/ref?th=1>> (Year: 2018).*

(21) Appl. No.: **29/766,653**

Amazon, Moen WS84855SRN Wetherly Two-Handle Widespread Bathroom Faucet, posted Oct. 15, 2016, [online], [visited May 19, 2022]. Internet, <URL: <https://www.amazon.com/Moen-WS84855SRN-Wetherly-Two-Handle-Widespread/dp/B01MF7LXYR/ref>> (Year: 2016).*

(22) Filed: **Jan. 18, 2021**

(51) **LOC (13) Cl.** **23-01**

(52) **U.S. Cl.**
USPC **D23/242**

(58) **Field of Classification Search**
USPC D23/238, 239, 240, 241, 242, 243, 246,
D23/247, 248, 249, 250, 251, 252, 253,
D23/254, 255, 256, 257

CPC E03C 1/00; E03C 1/01; E03C 1/02; E03C
1/023; E03C 1/04; E03C 1/0401; E03C
1/0403; E03C 1/0404; E03C 1/0412;
E03C 1/05; E03C 1/042; F16K 31/60

See application file for complete search history.

* cited by examiner

Primary Examiner — Samantha Wood

(74) *Attorney, Agent, or Firm* — Leong C. Lei

(57) **CLAIM**

The ornamental design for a faucet, as shown and described.

DESCRIPTION

FIG. 1 is a perspective view of a faucet showing my new design;

FIG. 2 is a front elevational view thereof;

FIG. 3 is a rear elevational view thereof;

FIG. 4 is a left side elevational view thereof;

FIG. 5 is a right side elevational view thereof;

FIG. 6 is a top plan view thereof; and,

FIG. 7 is a bottom plan view thereof.

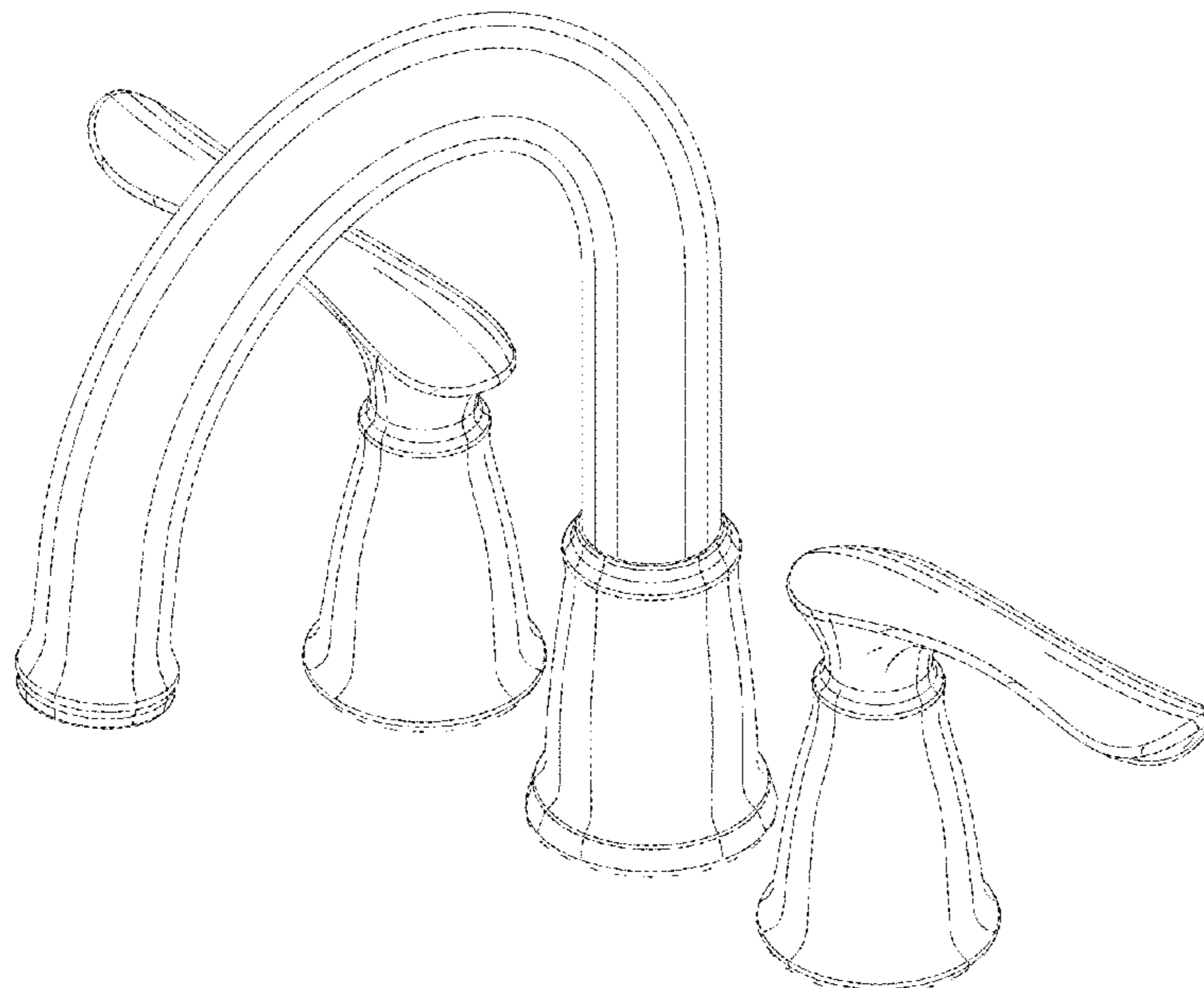
The portions shown in broken lines form no part of the claimed design.

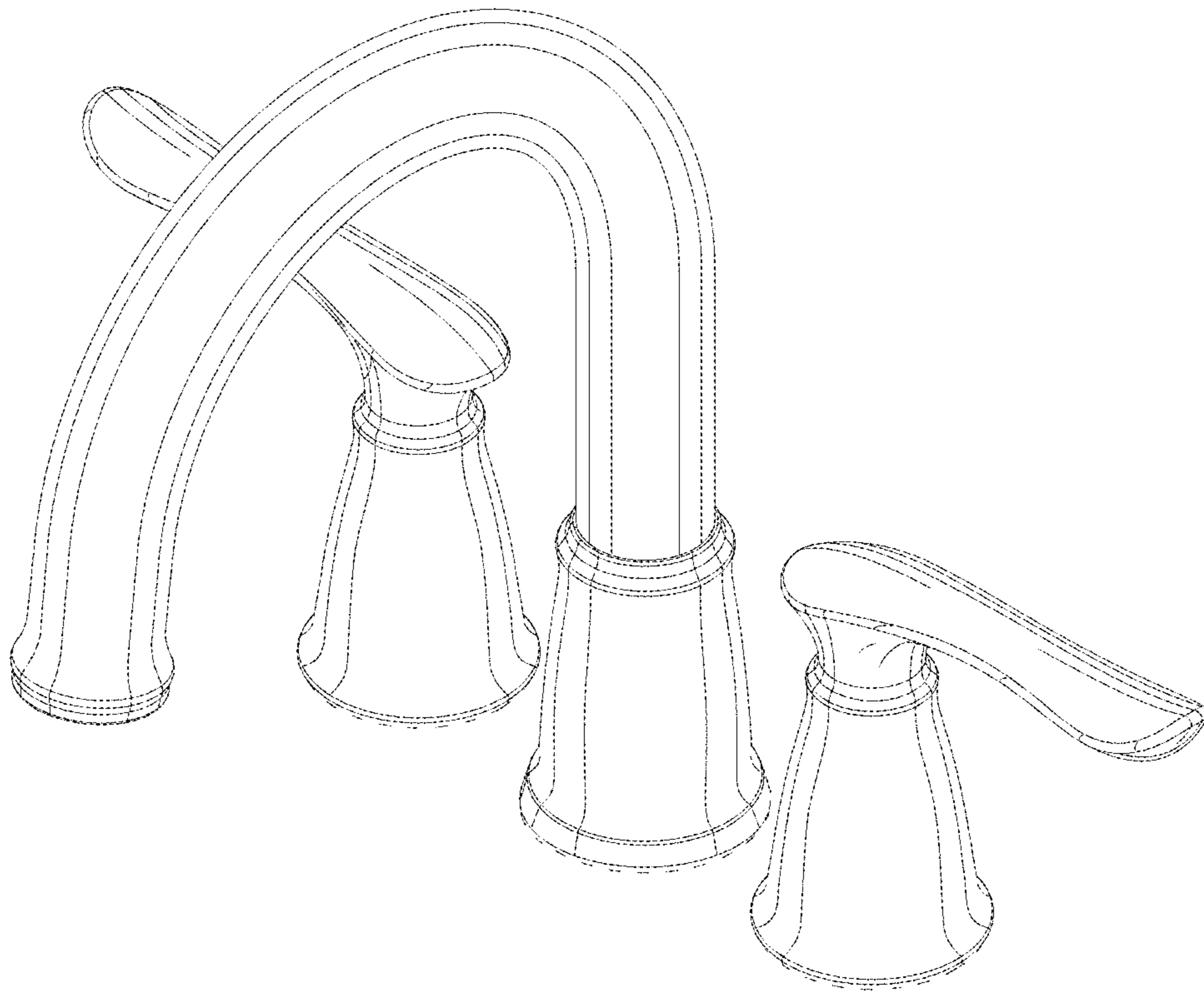
(56) **References Cited**

U.S. PATENT DOCUMENTS

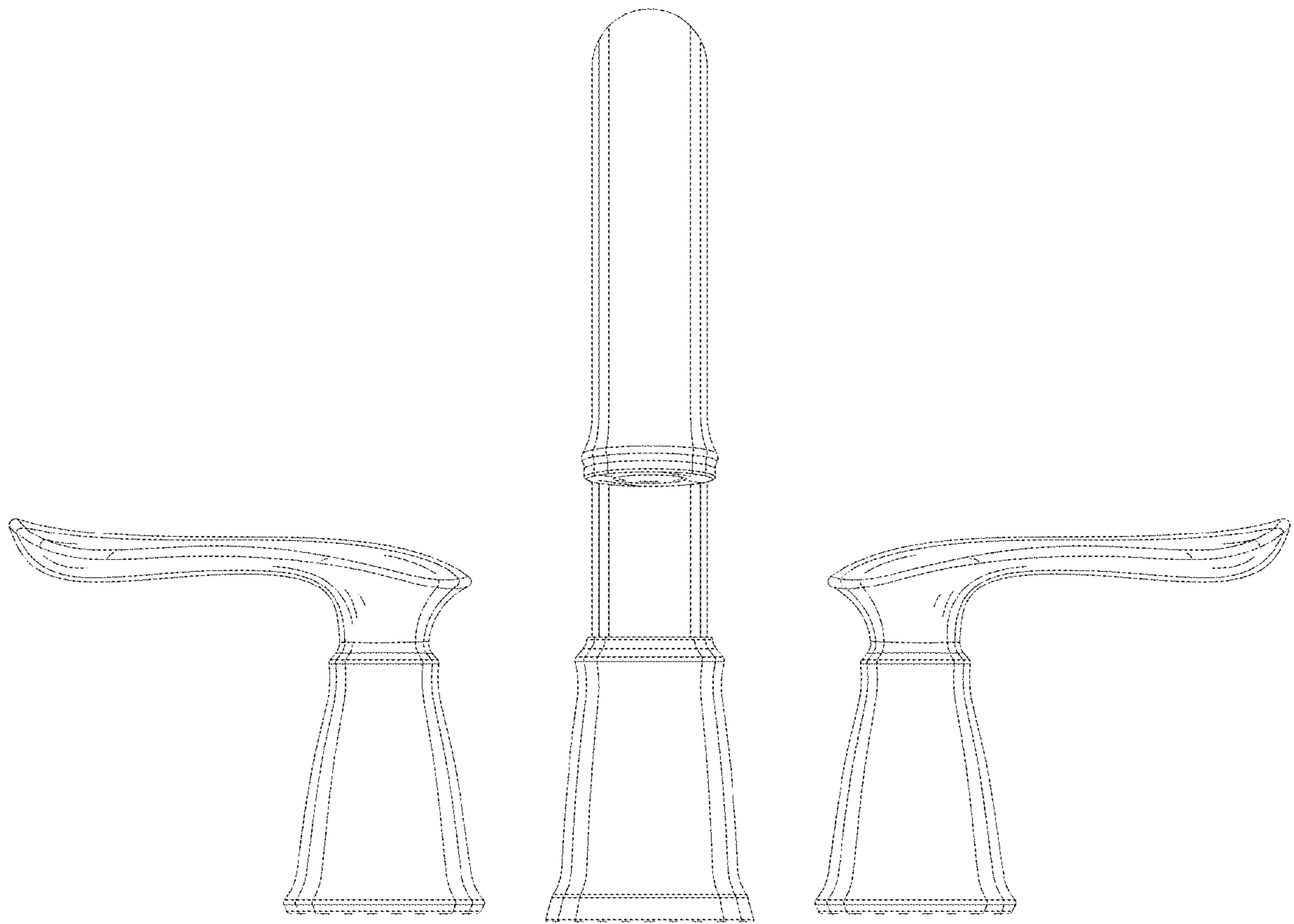
D438,602 S	*	3/2001	Milrud	D23/255
D532,085 S	*	11/2006	Svendsen	D23/242
D567,912 S	*	4/2008	Juratovac	D23/255
D574,930 S	*	8/2008	Hanna	D23/255
D578,614 S	*	10/2008	Fritz	D23/241
D793,532 S	*	8/2017	Fritz	D23/242
D859,591 S	*	9/2019	Kuang	D23/242
D896,349 S	*	9/2020	Kuang	D23/242
D916,242 S	*	4/2021	Xie	D23/238

1 Claim, 7 Drawing Sheets

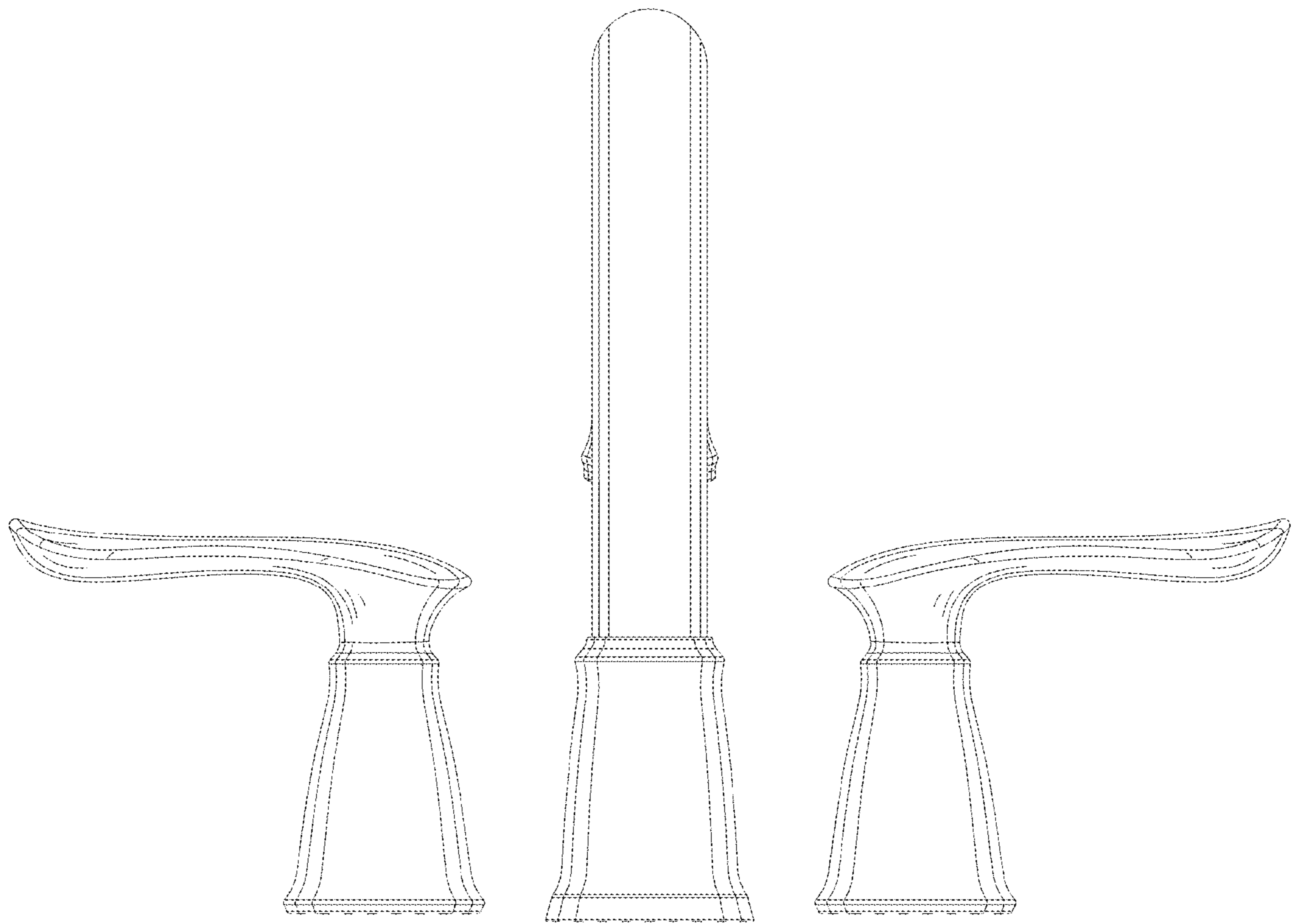




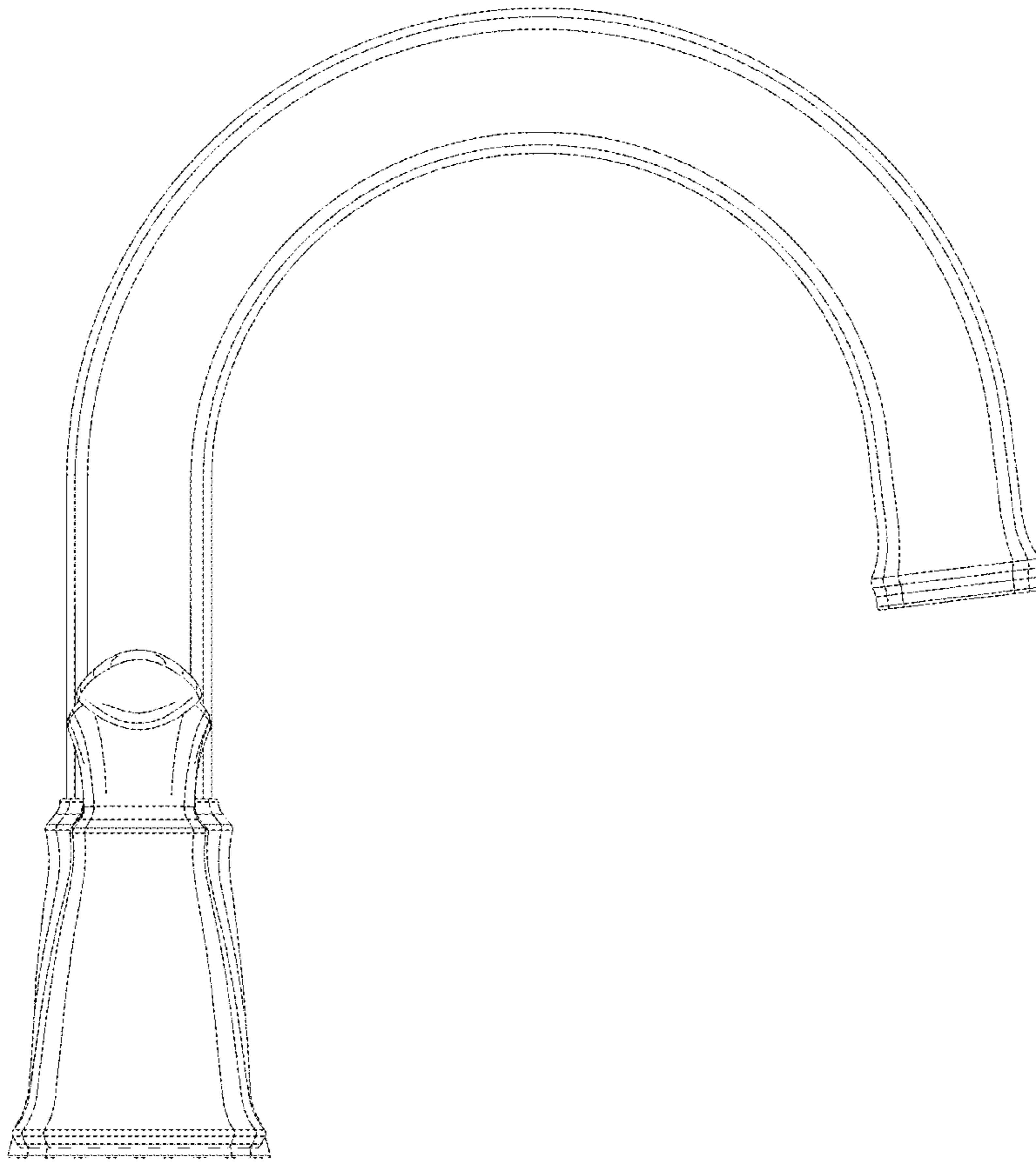
F I G. 1



F I G. 2



F I G. 3



F I G. 4

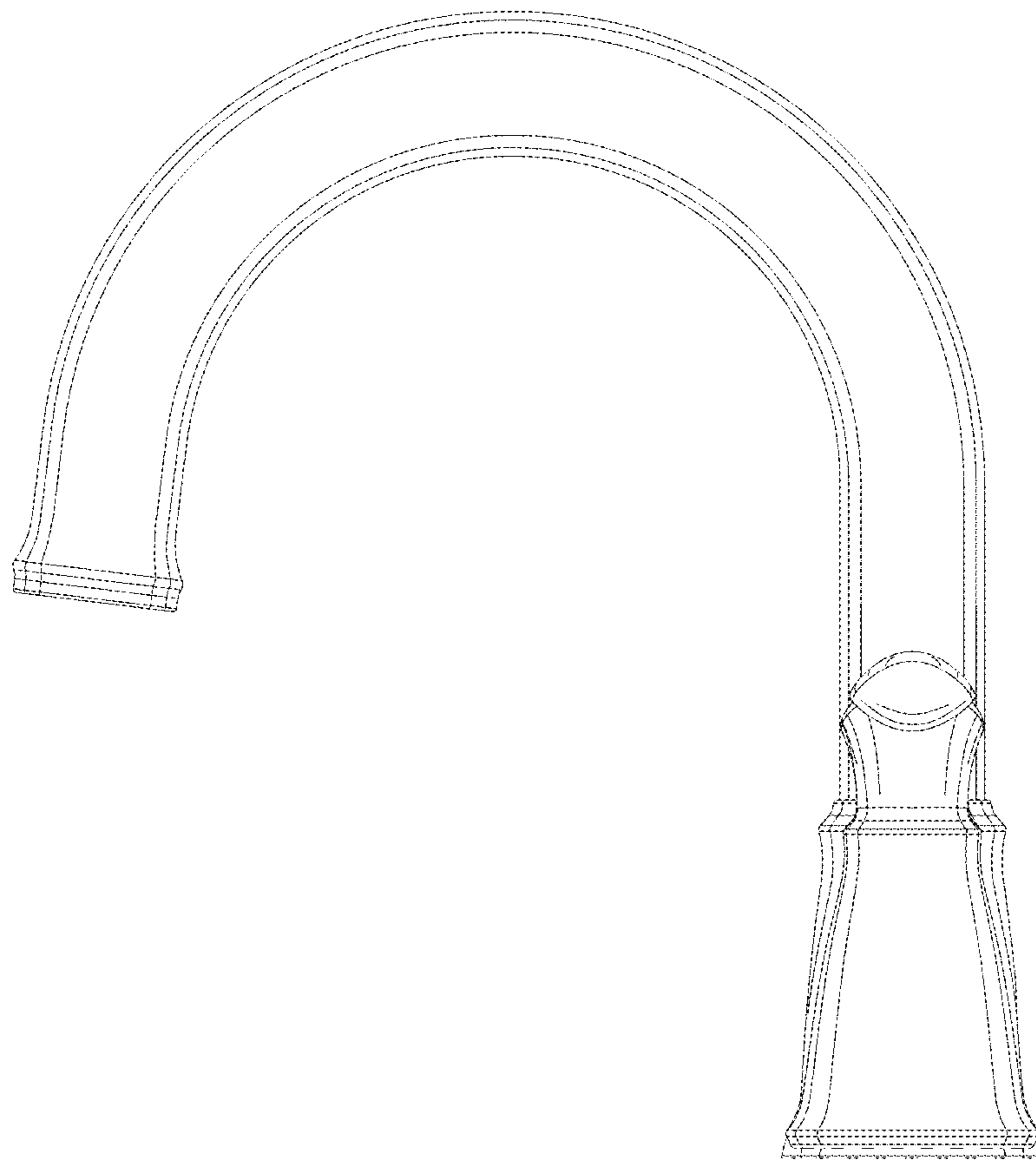
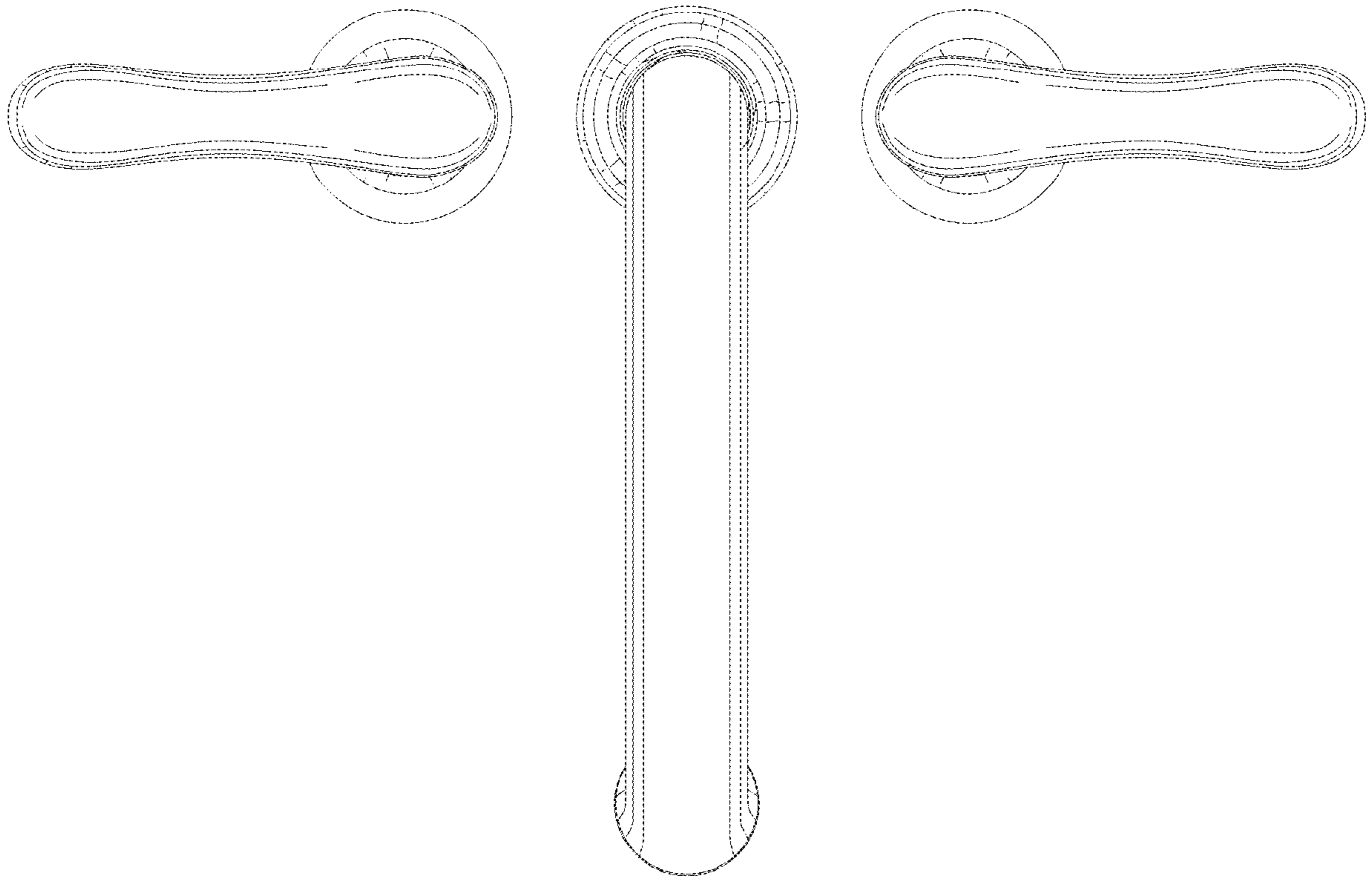


FIG. 5



F I G. 6

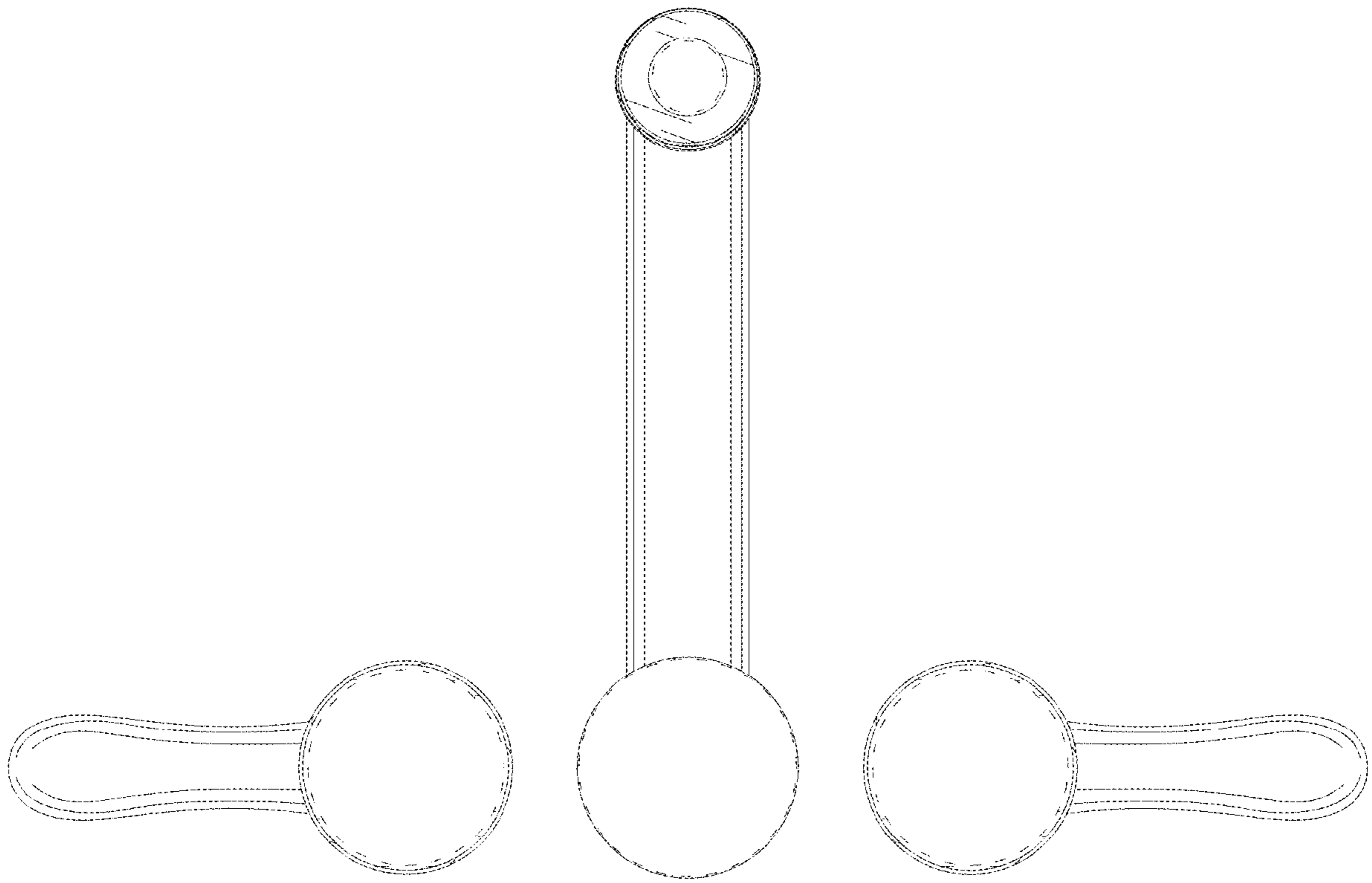


FIG. 7