



US00D958939S

(12) **United States Design Patent**
Kieras et al.

(10) **Patent No.:** **US D958,939 S**

(45) **Date of Patent:** **** Jul. 26, 2022**

- (54) **VACUUM BREAK TWIST TAP**
- (71) Applicant: **LB Europe Limited**, Manchester (GB)
- (72) Inventors: **Ronald E. Kieras**, McHenry, IL (US);
Matthew Ruschmeier, Glencoe, MN (US)
- (73) Assignee: **LB EUROPE LIMITED**, Manchester (GB)

- D309,173 S * 7/1990 Stipe D23/233
- D319,866 S * 9/1991 Rogers D23/235
- 5,360,029 A * 11/1994 Goughneour E03C 1/108
137/217
- D426,617 S * 6/2000 Hansen D23/237
- D500,123 S * 12/2004 Pelletz D23/245

(Continued)

FOREIGN PATENT DOCUMENTS

AU 2011248536 B2 3/2015

OTHER PUBLICATIONS

Aaron Stickley. "Pressure Vacuum Breaker Basics." The Spruce., May 11, 2019 [online], [retrieved on Jun. 29, 2021]. Retrieved from the Internet <URL: <https://www.thespruce.com/pressure-vacuum-breaker-basics-2718896>>.*

(Continued)

Primary Examiner — Darlington Ly

(74) *Attorney, Agent, or Firm* — McAndrews, Held & Malloy, Ltd.

- (**) Term: **15 Years**
- (21) Appl. No.: **29/813,969**
- (22) Filed: **Nov. 2, 2021**

Related U.S. Application Data

- (63) Continuation of application No. 29/725,091, filed on Feb. 21, 2020.
- (51) **LOC (13) Cl.** **23-01**
- (52) **U.S. Cl.**
USPC **D23/237**
- (58) **Field of Classification Search**
USPC D23/230–239, 244–250, 259–269; D8/70
CPC E03C 1/104; E03C 1/108
See application file for complete search history.

(57) **CLAIM**

The ornamental design for a vacuum break twist tap, as shown and described.

DESCRIPTION

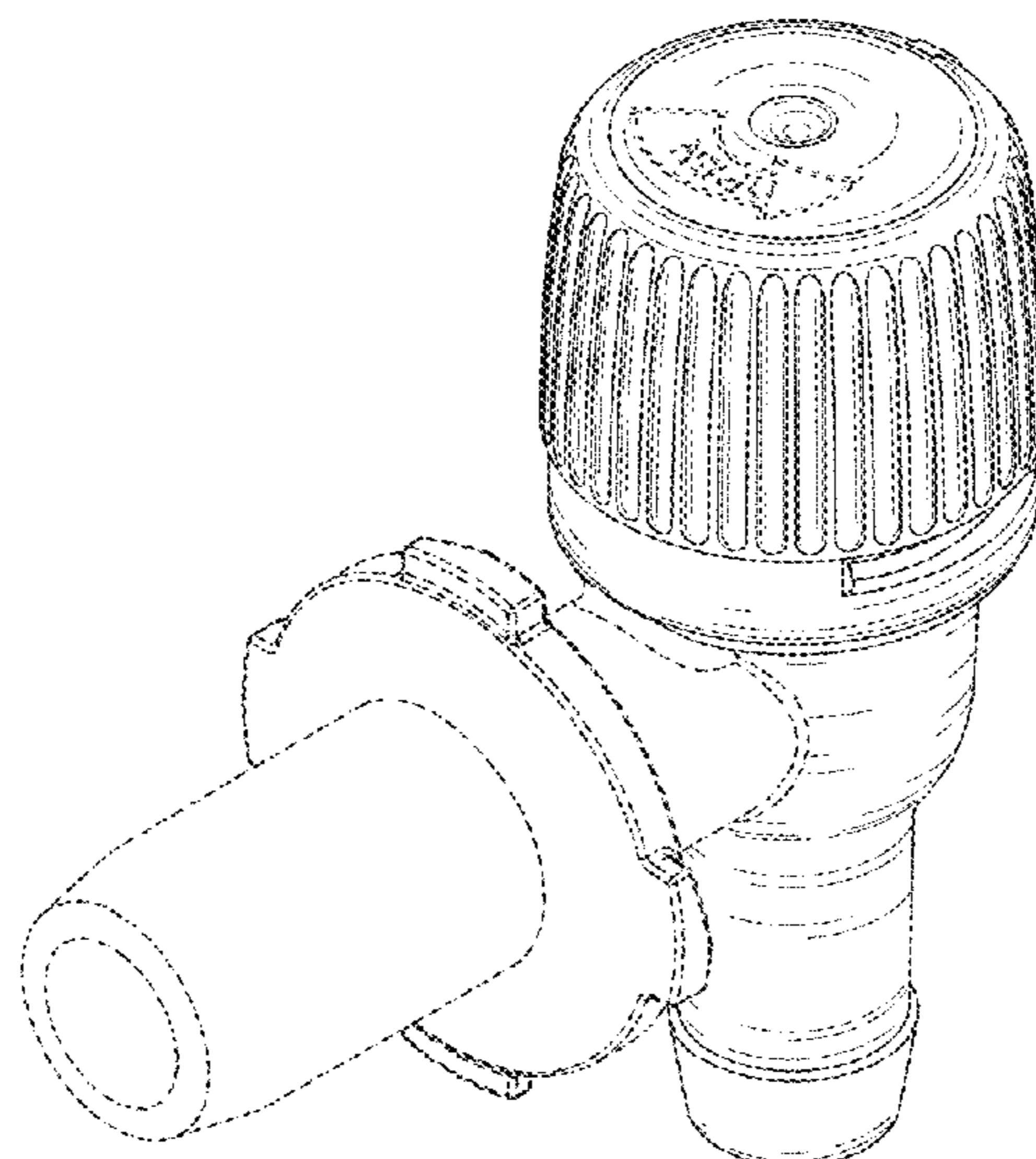
FIG. 1 is a front perspective view of a vacuum break twist tap showing my new design;
FIG. 2 is a front elevation view thereof;
FIG. 3 is a rear elevation view thereof;
FIG. 4 is a left side elevation view thereof;
FIG. 5 is a right side elevation view thereof;
FIG. 6 is a top plan view thereof; and,
FIG. 7 is a bottom plan view thereof.
The dashed broken lines in the figures illustrate portions of the vacuum break twist tap that form no part of the claimed design.

1 Claim, 4 Drawing Sheets

(56) **References Cited**

U.S. PATENT DOCUMENTS

- 2,028,101 A * 1/1936 Fredrickson E03C 1/108
137/217
- 3,023,767 A * 3/1962 Woodford E03C 1/108
137/845
- 3,145,724 A * 8/1964 Pelzer E03C 1/108
137/526
- 3,180,352 A * 4/1965 Kersten F16K 15/06
137/516.29
- 3,183,924 A * 5/1965 Duchin E03C 1/108
251/333
- D223,094 S * 3/1972 Coleman et al. D23/235
- D278,740 S * 5/1985 Bolgert D23/235



(56)

References Cited

U.S. PATENT DOCUMENTS

D516,679 S * 3/2006 Tripp D23/245
D531,697 S * 11/2006 Hofmann D23/237
7,721,755 B2 5/2010 Smith
8,006,874 B2 8/2011 Smith
8,297,299 B2 * 10/2012 Pan F16K 24/06
137/217
10,227,167 B2 3/2019 Darby

OTHER PUBLICATIONS

William Moore. "Best backflow preventer for sprinkler systems." Lawnista., Sep. 12, 2020 [online], [retrieved on Jun. 29, 2021]. Retrieved from the Internet <URL: <https://lawnista.com/best-backflow-preventer-for-sprinkler-systems/>>.*
Strivo Technical Datasheet, Rapak-L-300-EN Sep. 2015, © 2015 DS Smith, Plastics Division, Rapak (2 pages).
TruTap Information Sheet, 495RV-C 525 RV-B WD-L-302-EN Nov. 2016, © 2016 DS Smith, Plastics Division, Worldwide Dispensers (2 pages).
Creative Dispensing Solutions brochure, © 2018 DS Smith, Plastics Division, Worldwide Dispensers(36 pages).

* cited by examiner

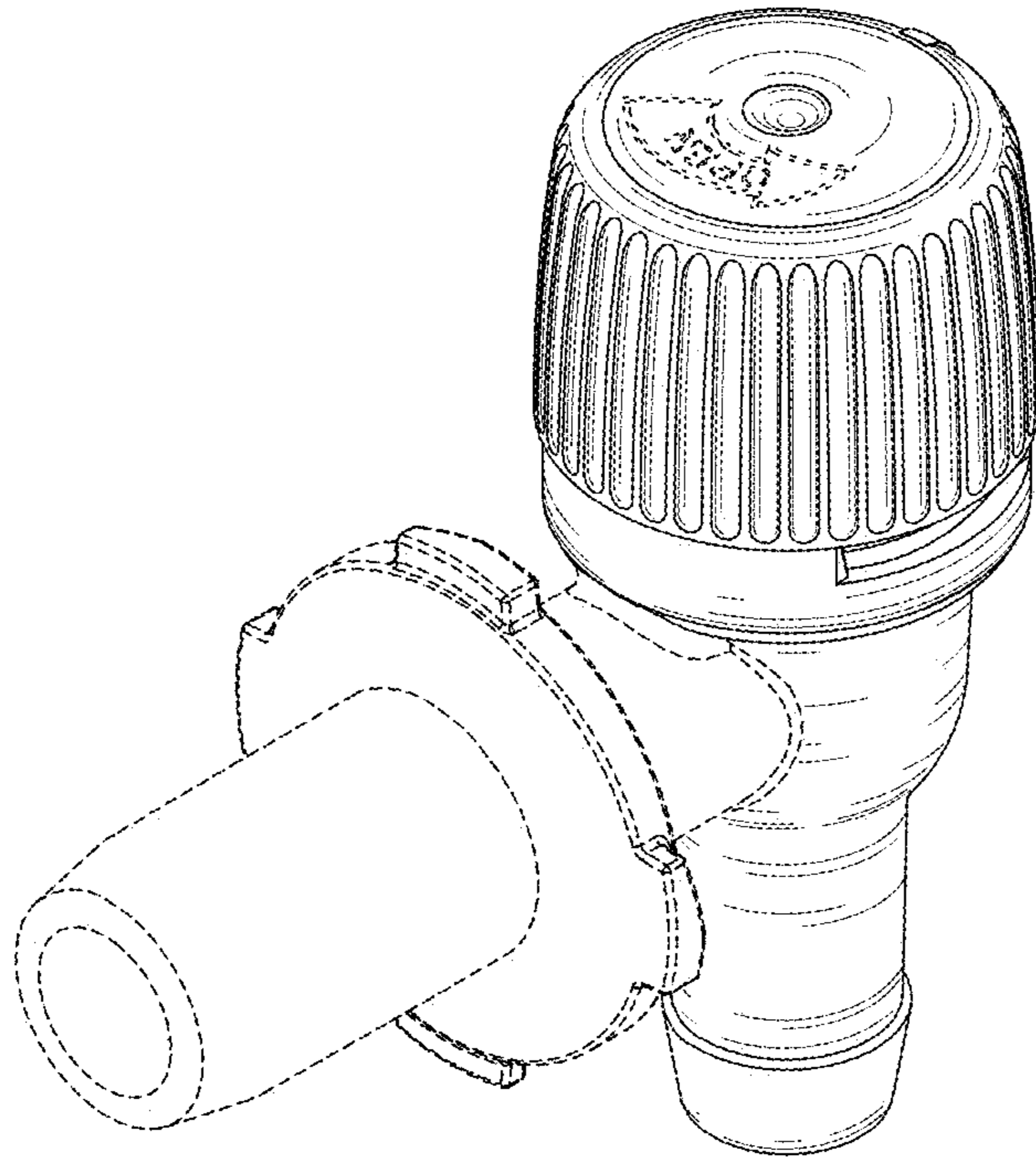


FIG. 1

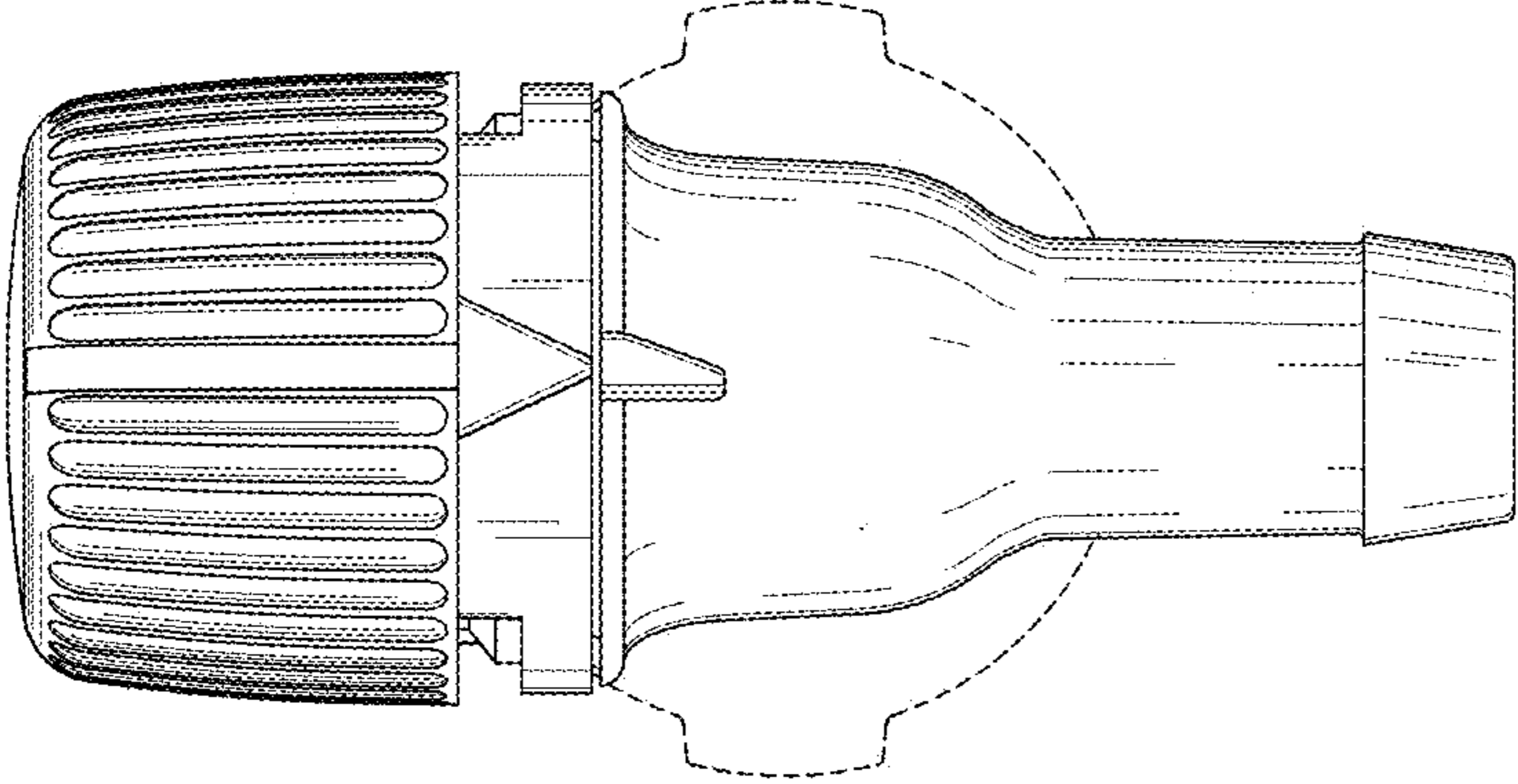


FIG. 2

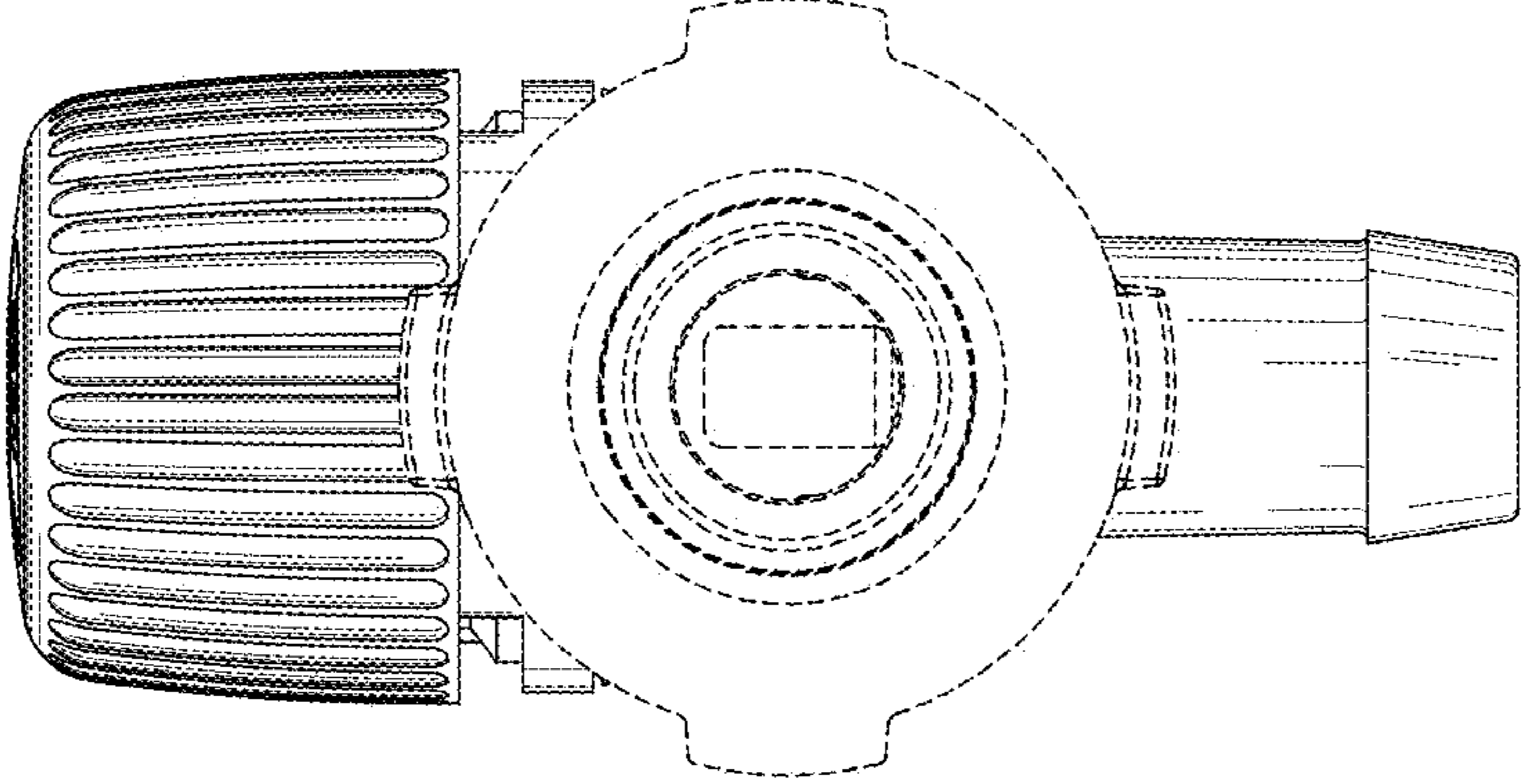


FIG. 3

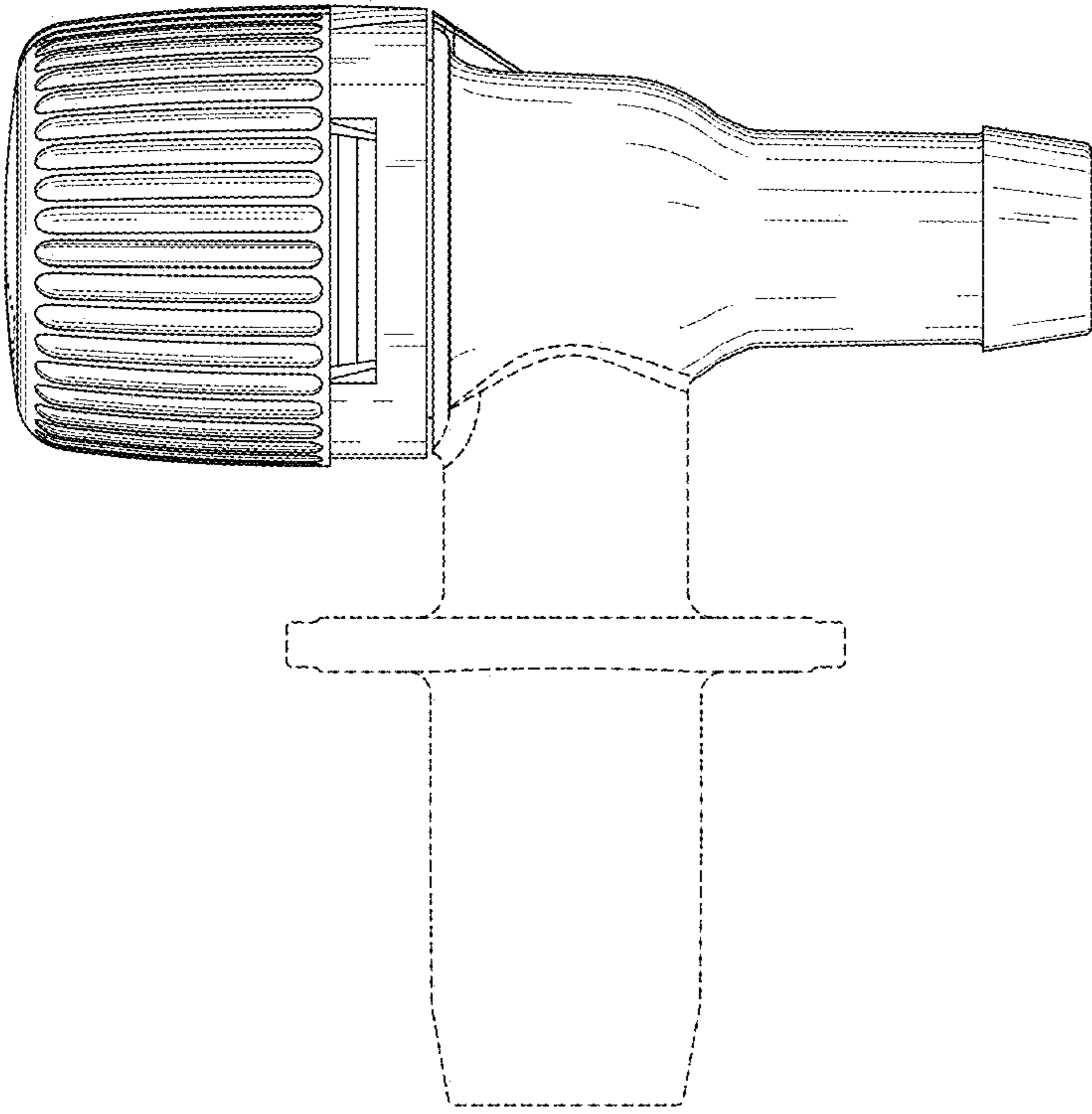


FIG. 5

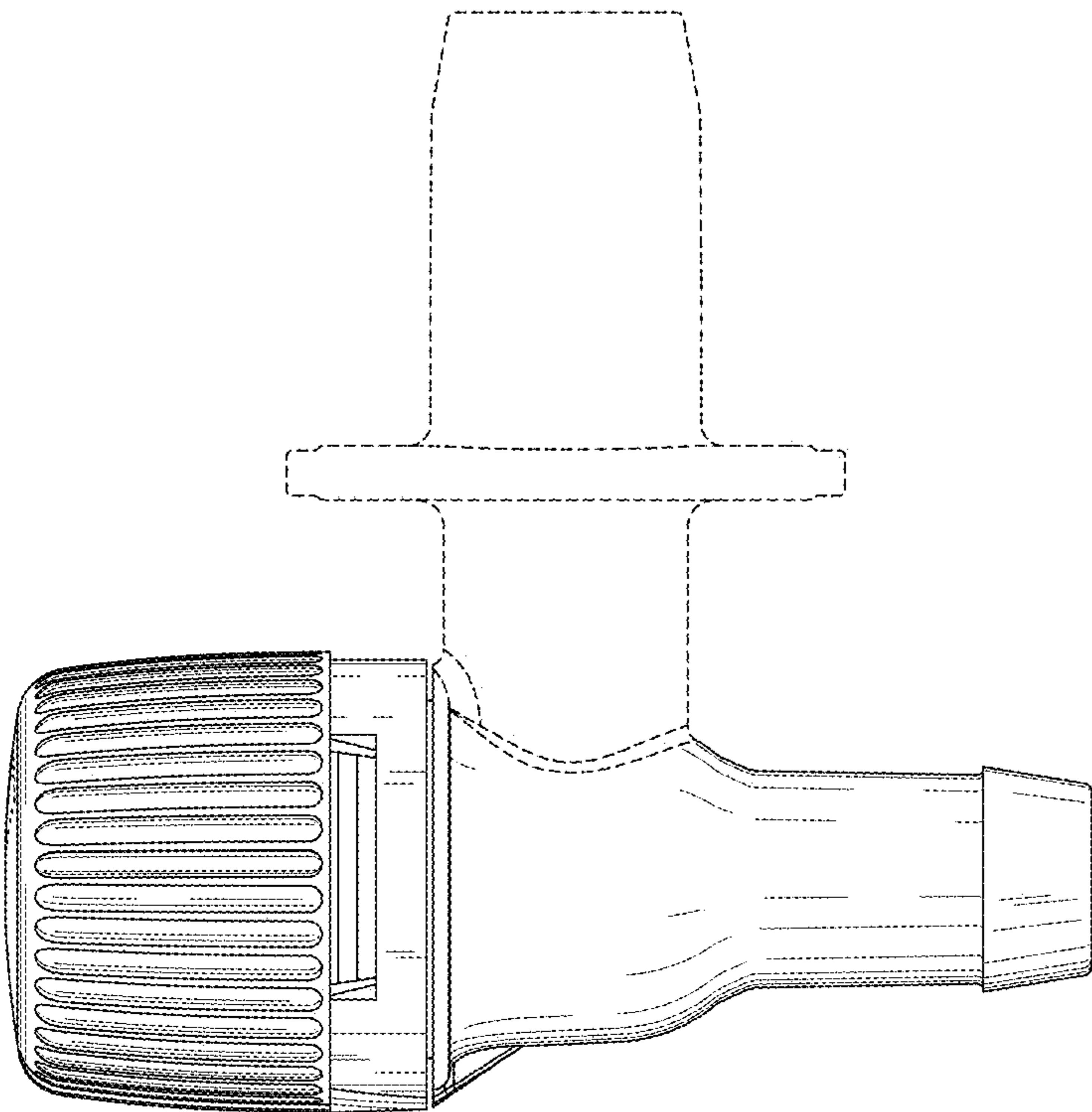


FIG. 4

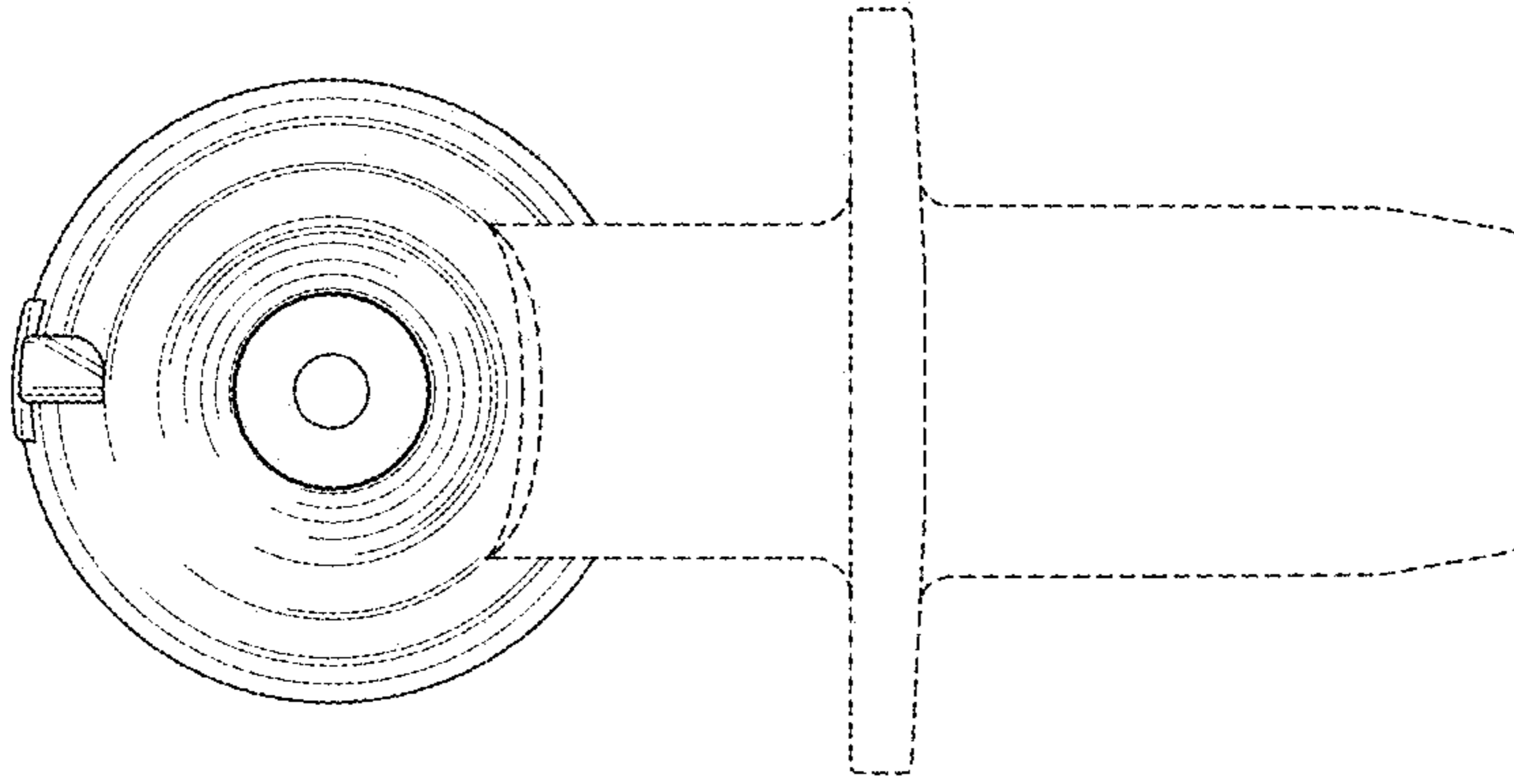


FIG. 7

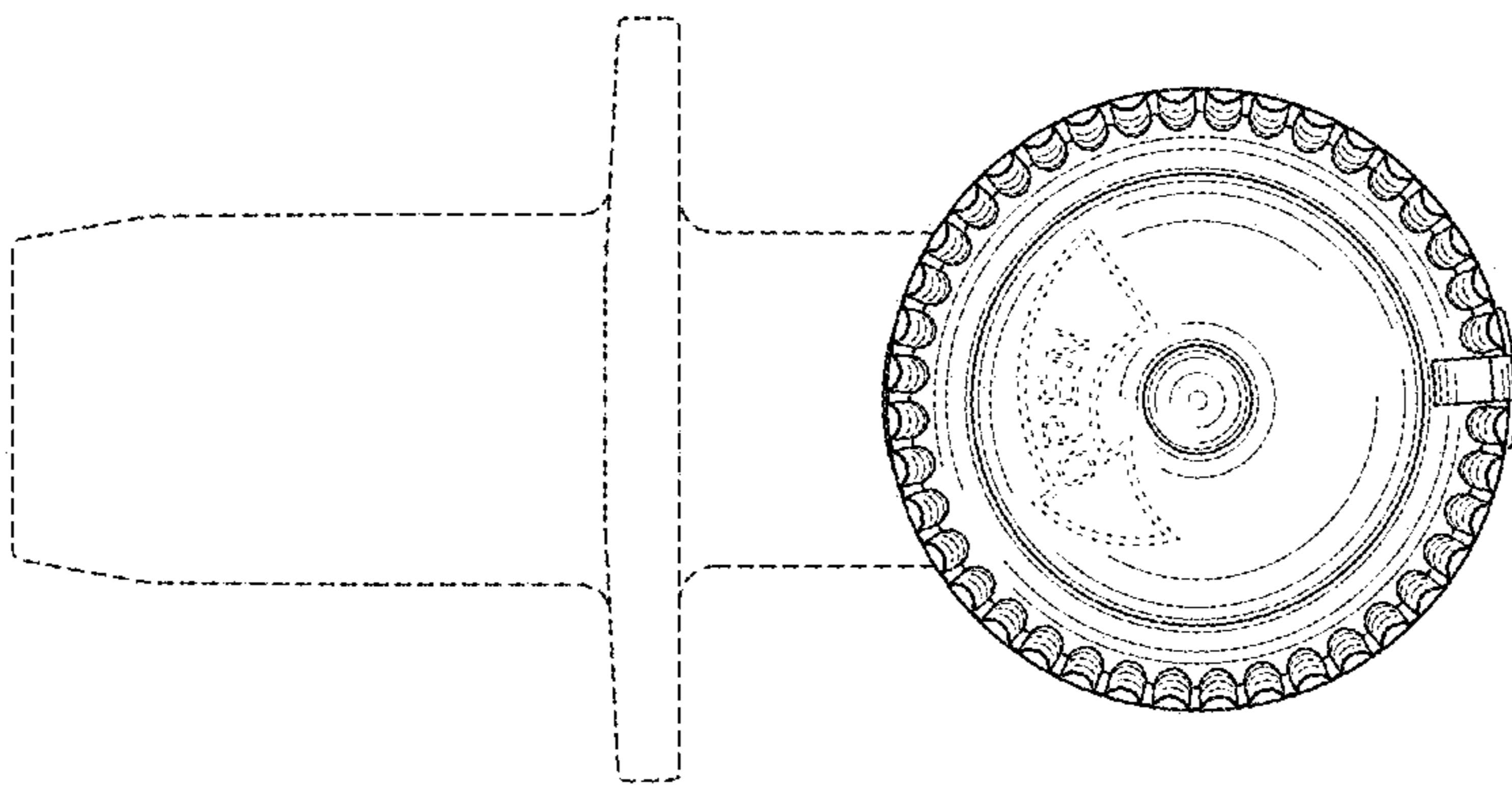


FIG. 6