



US00D958938S

(12) **United States Design Patent** (10) **Patent No.:** **US D958,938 S**  
**Kieras et al.** (45) **Date of Patent:** **\*\* Jul. 26, 2022**

(54) **VACUUM BREAK TWIST TAP**  
(71) Applicant: **LB Europe Limited**, Manchester (GB)  
(72) Inventors: **Ronald E. Kieras**, McHenry, IL (US);  
**Matthew Ruschmeier**, Glencoe, MN (US)  
(73) Assignee: **LB EUROPE LIMITED**, Manchester (GB)

D309,173 S \* 7/1990 Stipe ..... D23/233  
D319,866 S \* 9/1991 Rogers ..... D23/235  
5,360,029 A \* 11/1994 Goughneour ..... E03C 1/108  
137/217  
D426,617 S \* 6/2000 Hansen ..... D23/237  
D500,123 S \* 12/2004 Pelletz ..... D23/245  
(Continued)

(\*\*) Term: **15 Years**  
(21) Appl. No.: **29/813,967**  
(22) Filed: **Nov. 2, 2021**

**FOREIGN PATENT DOCUMENTS**

AU 2011248536 B2 3/2015

**OTHER PUBLICATIONS**

Aaron Stickley. "Pressure Vacuum Breaker Basics." The Spruce., May 11, 2019 [online], [retrieved on Jun. 29, 2021]. Retrieved from the Internet <URL: <https://www.thespruce.com/pressure-vacuum-breaker-basics-2718896>>.\*  
(Continued)

**Related U.S. Application Data**

(63) Continuation of application No. 29/725,090, filed on Feb. 21, 2020.  
(51) **LOC (13) Cl.** ..... **23-01**  
(52) **U.S. Cl.**  
USPC ..... **D23/237**  
(58) **Field of Classification Search**  
USPC .... D23/230–239, 244–250, 259–269; D8/70  
CPC ..... E03C 1/104; E03C 1/108  
See application file for complete search history.

*Primary Examiner* — Darlington Ly  
(74) *Attorney, Agent, or Firm* — McAndrews, Held & Malloy, Ltd.

(57) **CLAIM**

The ornamental design for a vacuum break twist tap, as shown and described.

**DESCRIPTION**

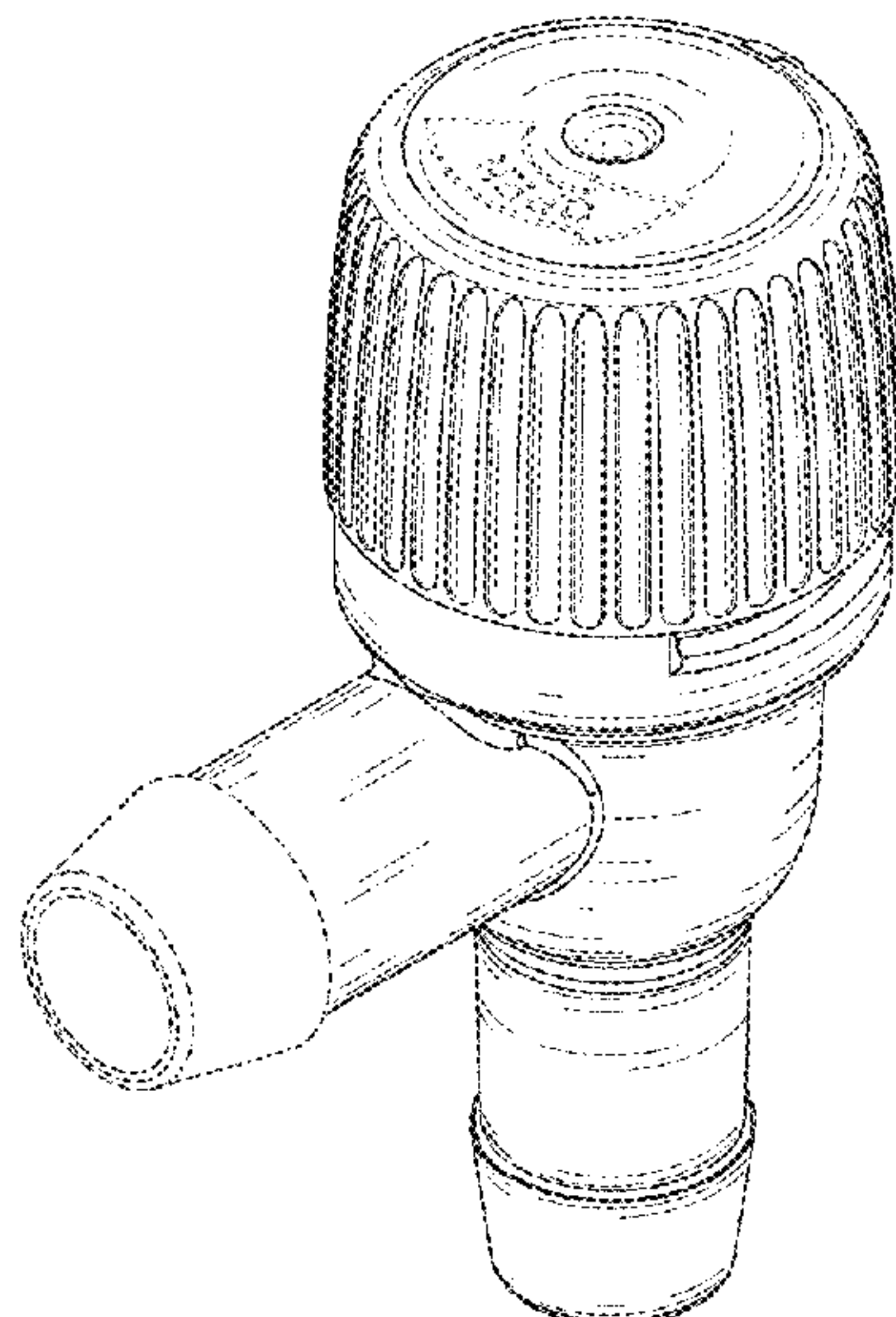
FIG. 1 is a front perspective view of a vacuum break twist tap showing my new design;  
FIG. 2 is a front elevation view thereof;  
FIG. 3 is a rear elevation view thereof;  
FIG. 4 is a left side elevation view thereof;  
FIG. 5 is a right side elevation view thereof;  
FIG. 6 is a top plan view thereof; and,  
FIG. 7 is a bottom plan view thereof.  
The dashed broken lines in the figures illustrate portions of the vacuum break twist tap that form no part of the claimed design.

(56) **References Cited**

**U.S. PATENT DOCUMENTS**

2,028,101 A \* 1/1936 Fredrickson ..... E03C 1/108  
137/217  
3,023,767 A \* 3/1962 Woodford ..... E03C 1/108  
137/845  
3,145,724 A \* 8/1964 Pelzer ..... E03C 1/108  
137/526  
3,180,352 A \* 4/1965 Kersten ..... F16K 15/06  
137/516.29  
3,183,924 A \* 5/1965 Duchin ..... E03C 1/108  
251/333  
D223,094 S \* 3/1972 Coleman et al. .... D23/235  
D278,740 S \* 5/1985 Bolgert ..... D23/235

**1 Claim, 4 Drawing Sheets**



(56)

**References Cited**

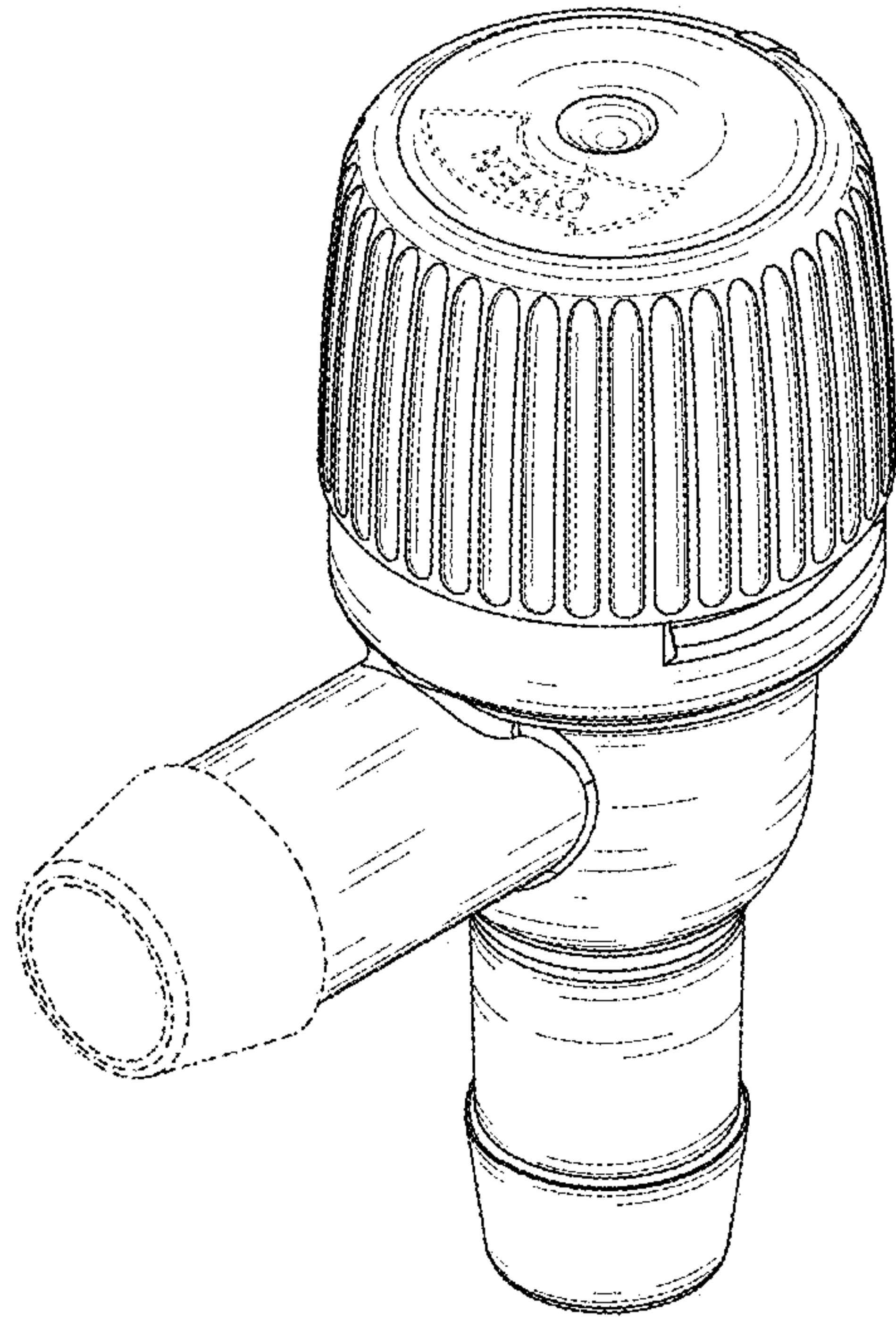
U.S. PATENT DOCUMENTS

D516,679 S \* 3/2006 Tripp ..... D23/245  
D531,697 S \* 11/2006 Hofmann ..... D23/237  
7,721,755 B2 5/2010 Smith  
8,006,874 B2 8/2011 Smith  
8,297,299 B2 \* 10/2012 Pan ..... F16K 24/06  
137/217  
10,227,167 B2 3/2019 Darby

OTHER PUBLICATIONS

William Moore. "Best backflow preventer for sprinkler systems." Lawnista., Sep. 12, 2020 [online], [retrieved on Jun. 29, 2021]. Retrieved from the Internet <URL: <https://lawnista.com/best-backflow-preventer-for-sprinkler-systems/>>.\*  
Strivo Technical Datasheet, Rapak-L-300-EN Sep. 2015, © 2015 DS Smith, Plastics Division, Rapak (2 pages).  
TruTap Information Sheet, 495RV-C 525 RV-B WD-L-302-EN Nov. 2016, © 2016 DS Smith, Plastics Division, Worldwide Dispensers (2 pages).  
Creative Dispensing Solutions brochure, © 2018 DS Smith, Plastics Division, Worldwide Dispensers(36 pages).

\* cited by examiner



**FIG. 1**

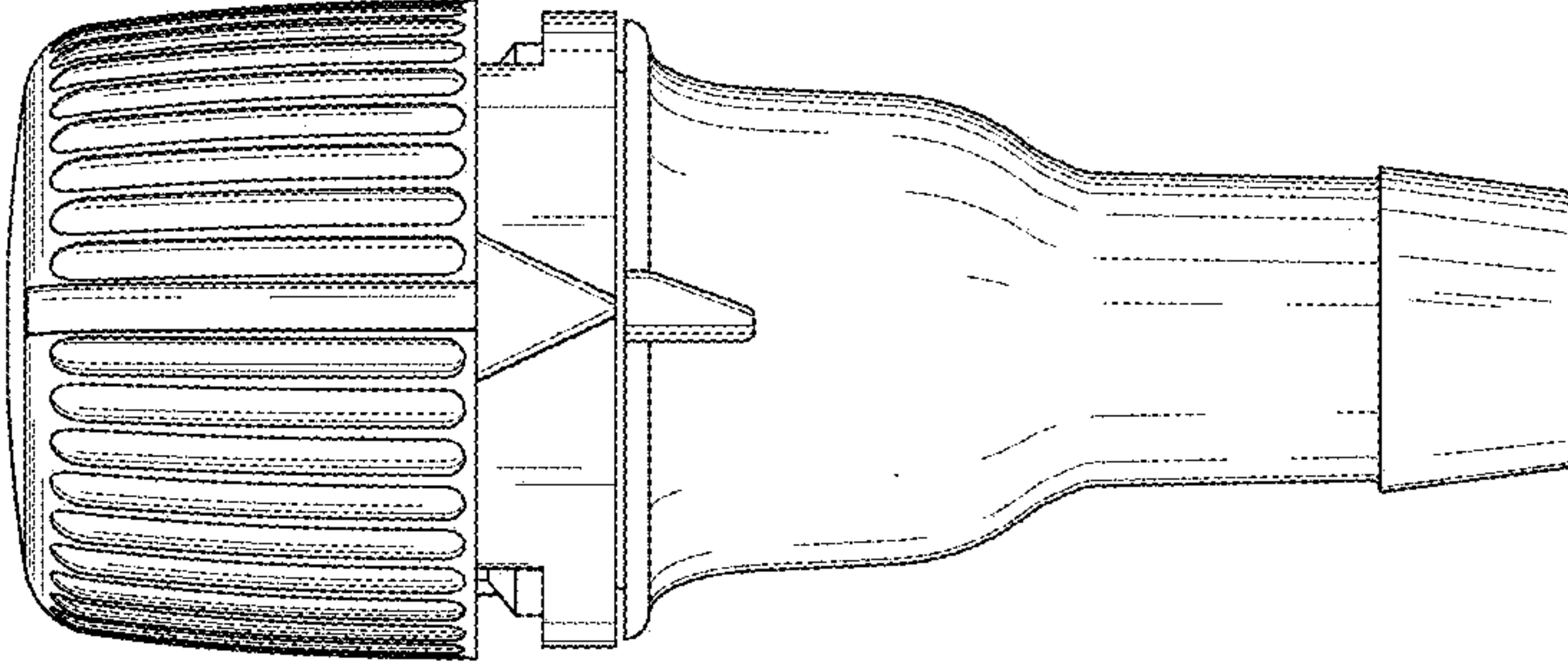


FIG. 2

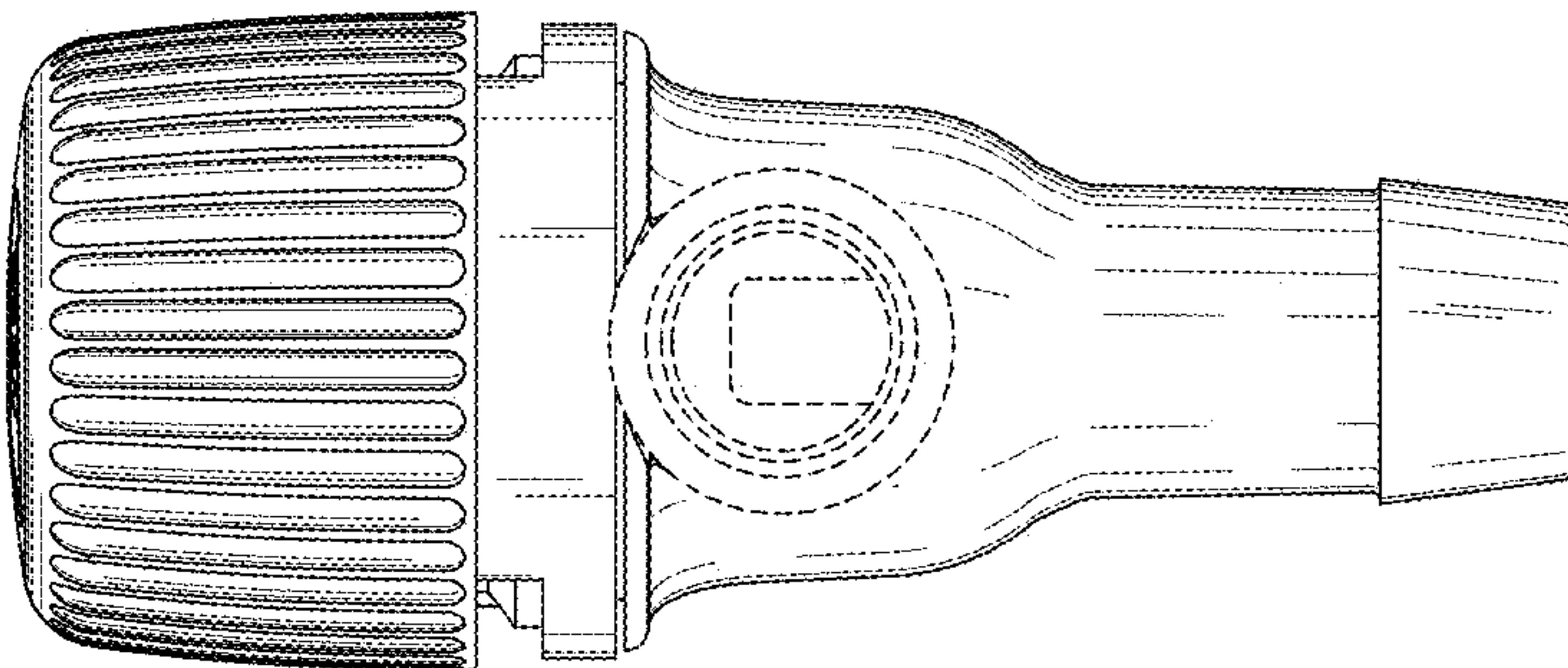


FIG. 3



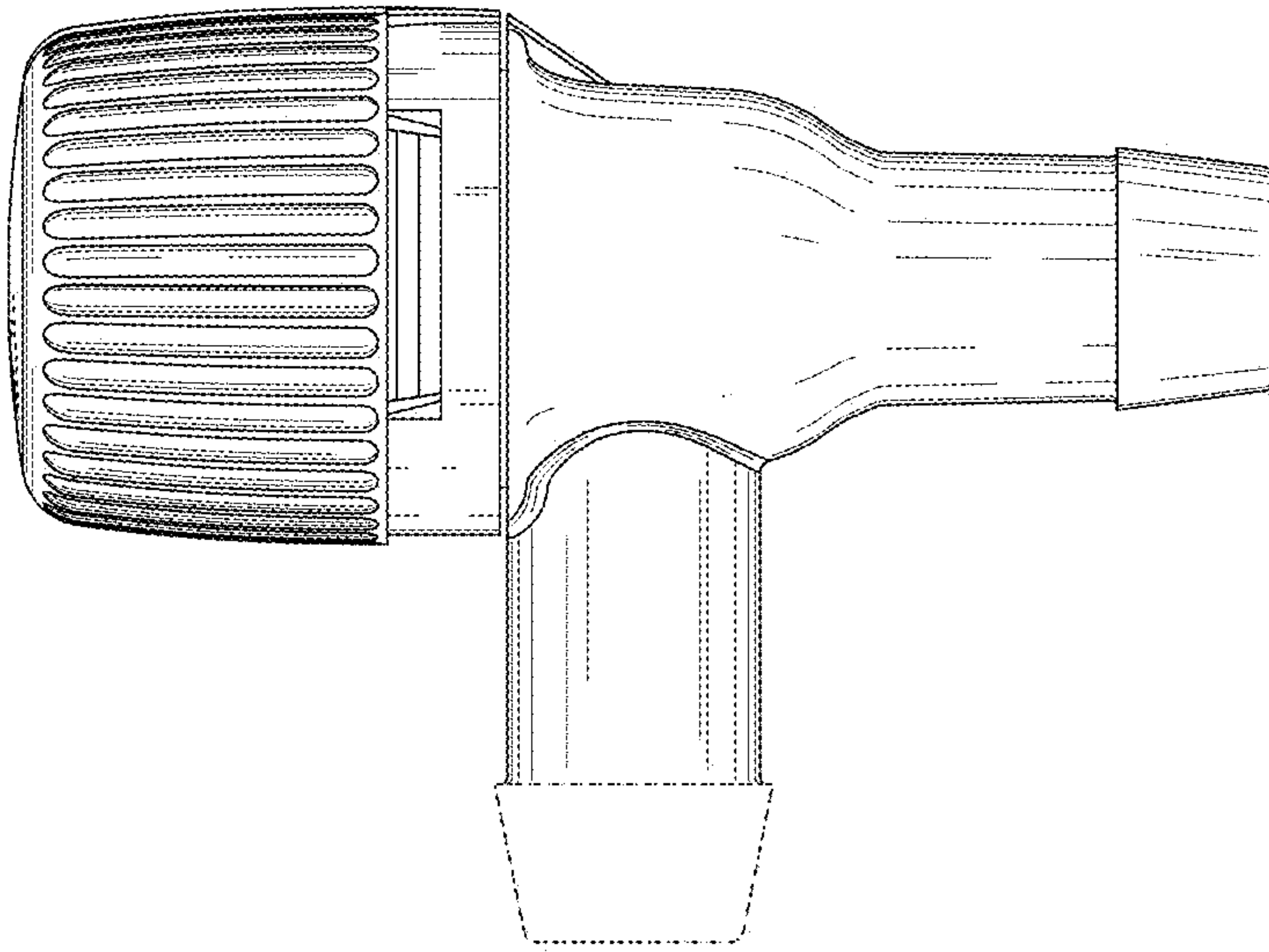


FIG. 4

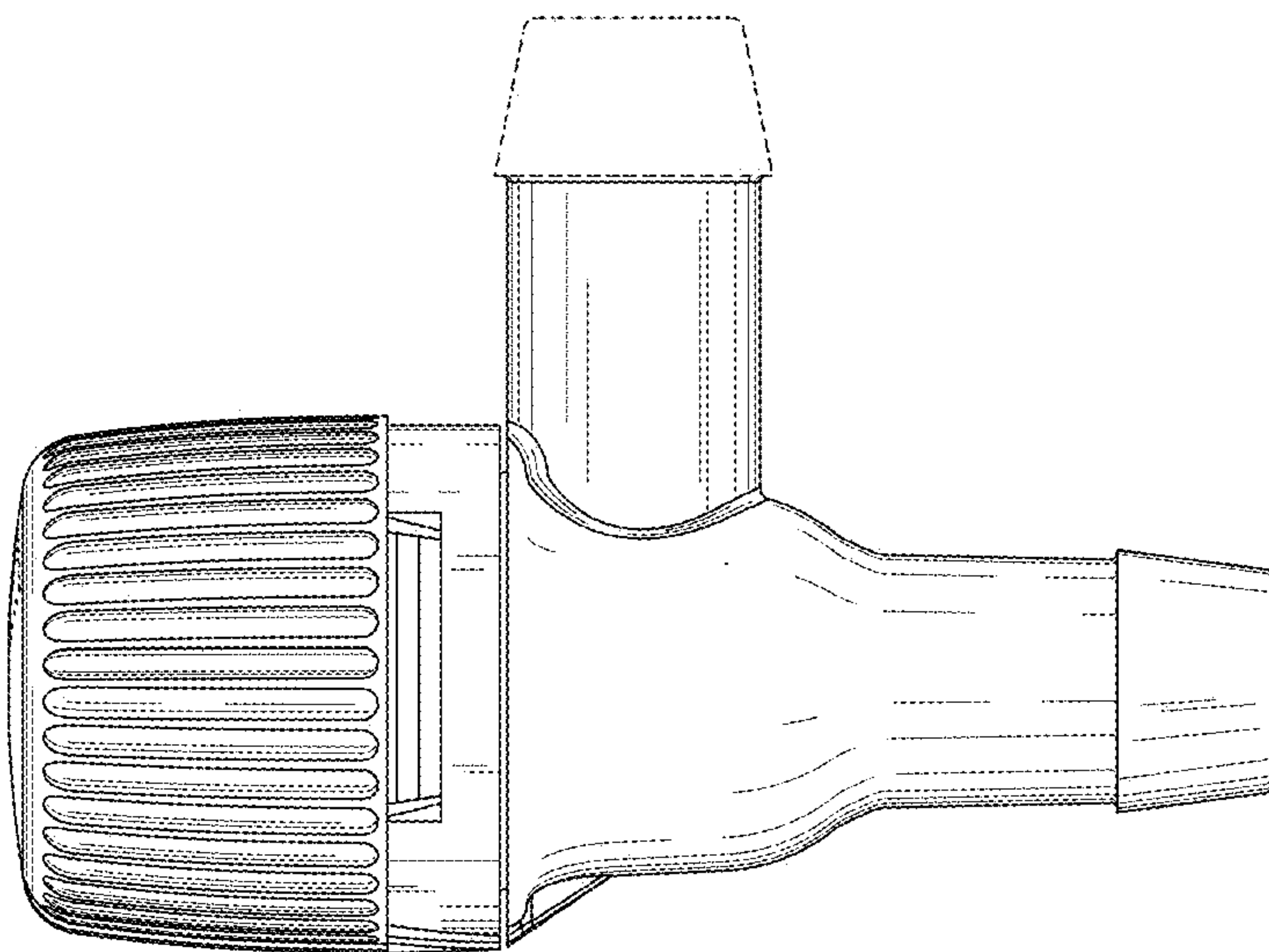
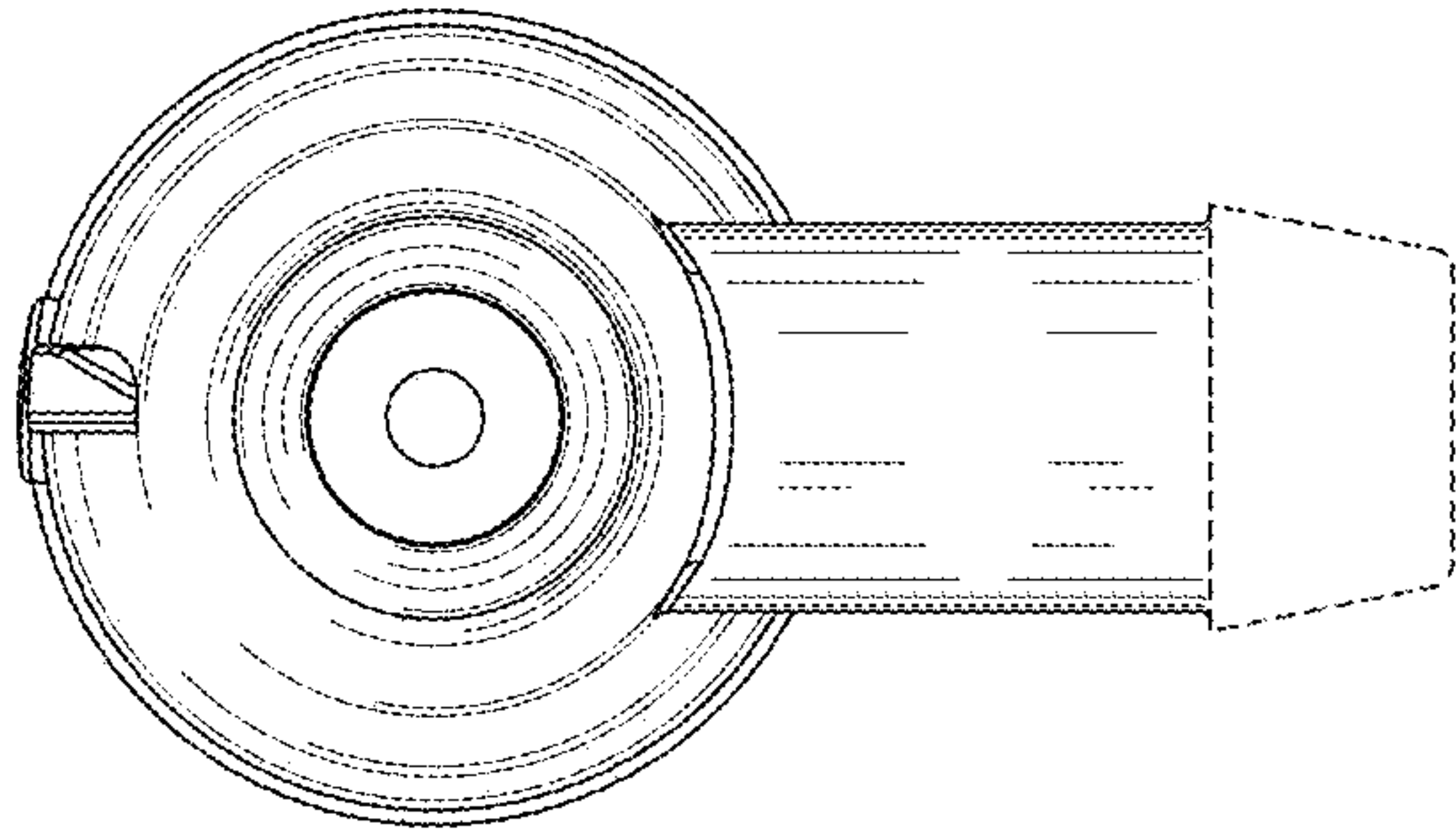
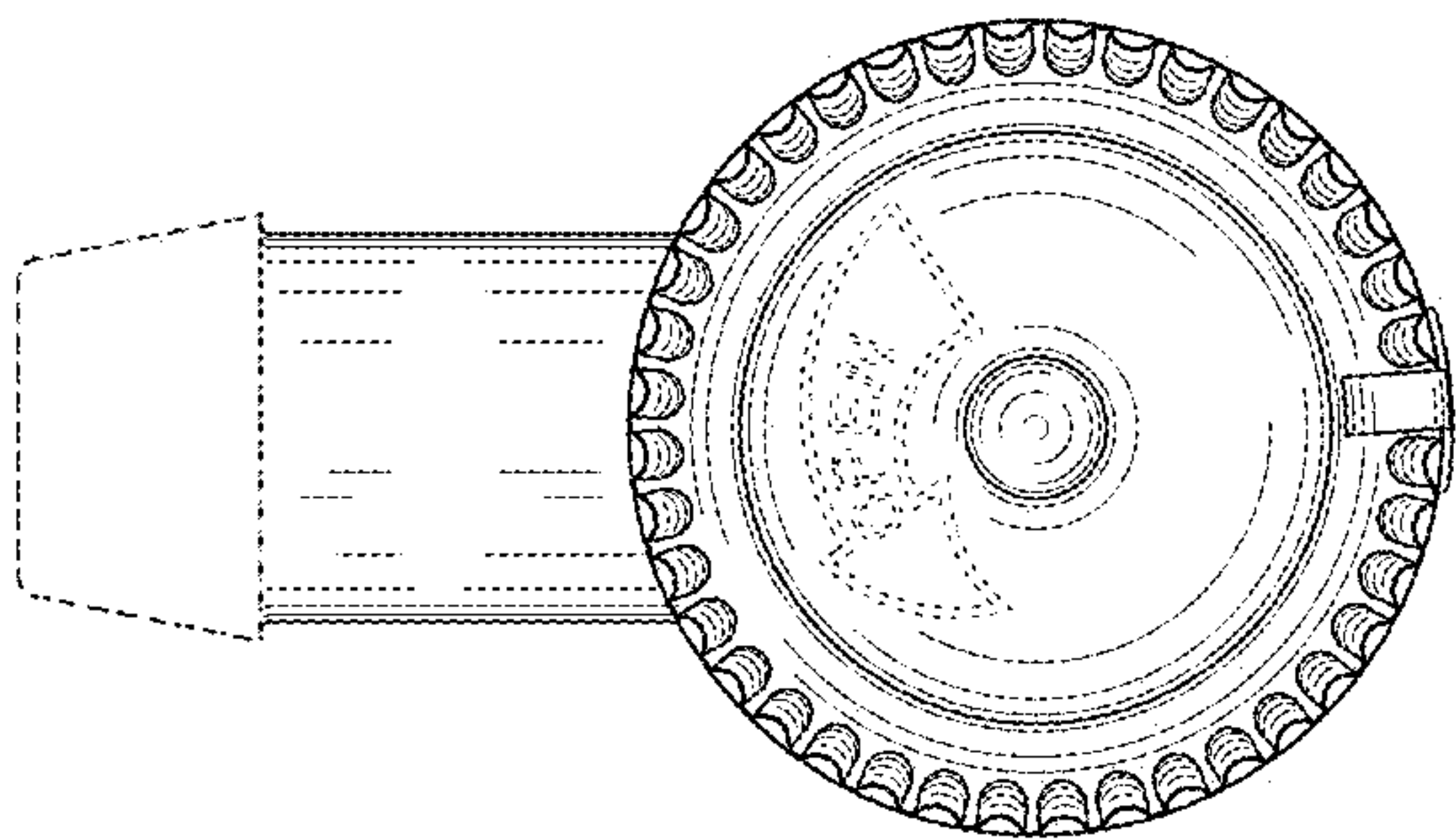


FIG. 5



**FIG. 7**



**FIG. 6**