



US00D958936S

(12) **United States Design Patent** (10) **Patent No.:** **US D958,936 S**
Ramsuer (45) **Date of Patent:** **** Jul. 26, 2022**

(54) **HOSE END SPRAYER**
(71) Applicant: **Silgan Dispensing Systems Corporation**, Grandview, MO (US)
(72) Inventor: **Brandon L. Ramsuer**, Henrico, VA (US)
(73) Assignee: **Silgan Dispensing Systems Corporation**, Grandview, MO (US)

2,376,881 A 5/1945 Nielsen
2,388,508 A 11/1945 Timpson
2,993,655 A 7/1961 O'Brien
3,001,725 A 9/1961 Lockett
D200,961 S 4/1965 Beinert
D205,337 S 7/1966 Sheldall
3,363,842 A 1/1968 Burns
D298,848 S * 12/1988 Chow D23/213
4,856,834 A * 8/1989 Lancaster B65G 7/12
169/46
D315,043 S * 2/1991 Hayden D32/34
(Continued)

(**) Term: **15 Years**

(21) Appl. No.: **29/818,148**

(22) Filed: **Dec. 7, 2021**

Related U.S. Application Data

(62) Division of application No. 29/697,504, filed on Jul. 9, 2019, now Pat. No. Des. 940,272, which is a division of application No. 29/630,861, filed on Dec. 22, 2017, now Pat. No. Des. 859,584.

(51) **LOC (13) Cl.** **23-01**

(52) **U.S. Cl.**
USPC **D23/223**

(58) **Field of Classification Search**
USPC D23/207, 213, 214, 215, 223, 224, 225, D23/226, 229, 230; D32/24, 31, 33-34
CPC A61H 9/0021; A61H 33/00; B05B 1/00; B05B 1/14; B05B 1/185; B05B 1/08; B05B 1/02; B05B 1/26; B05B 12/002; B05B 1/18; B05B 9/01; A47L 11/4041; A47L 11/292; A47L 11/4069; A47L 11/4055; A47L 11/03; A47L 11/18
See application file for complete search history.

(56) **References Cited**

U.S. PATENT DOCUMENTS

2,343,647 A 3/1944 Doerr
2,364,905 A 12/1944 Lewis

OTHER PUBLICATIONS

Aqua Joe AJ-IFHN Indestructible Series Fireman's Hose Nozzle w/ Ergonomic Metal Control Handle, Feb. 22, 2020, amazon.ca, Mar. 8, 2022, URL:https://www.amazon.ca/Aqua-Joe-AJ-IFHN-Indestructible-Ergonomic/dp/B084T9C4MB/ (Year: 2020).*

(Continued)

Primary Examiner — Keith J Wilson
(74) *Attorney, Agent, or Firm* — Barlow, Josephs & Holmes, Ltd.; Stephen J. Holmes

(57) **CLAIM**

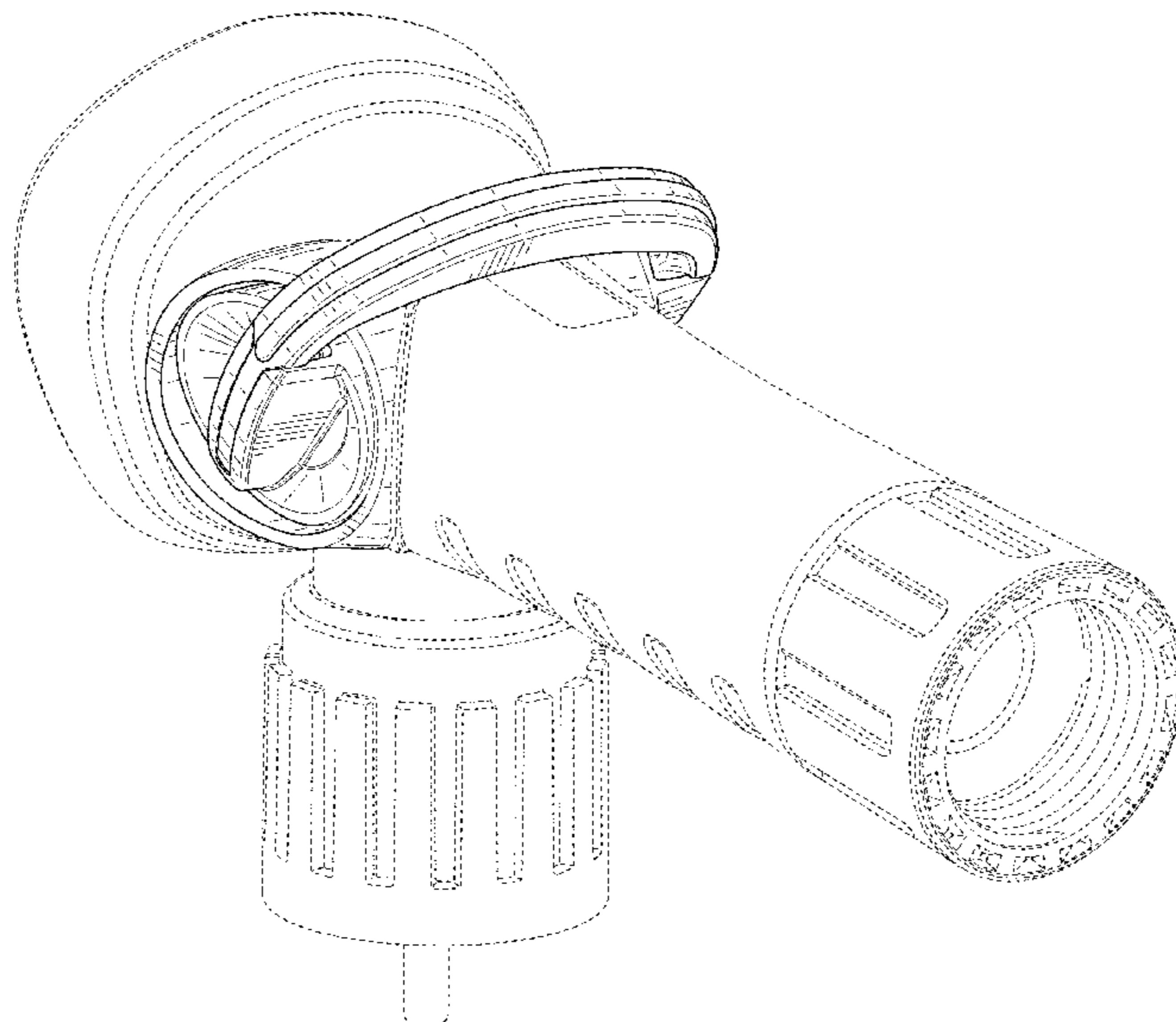
The ornamental design for a hose end sprayer, as shown and described.

DESCRIPTION

FIG. 1 is a perspective view of the hose end sprayer in accordance with the present design;
FIG. 2 is a rear view thereof;
FIG. 3 is a front view thereof;
FIG. 4 is a left side view thereof;
FIG. 5 is a right side view thereof;
FIG. 6 is a top view thereof; and,
FIG. 7 is a bottom view thereof.

The elements shown in broken lines in the Figures form no part of the claimed design.

1 Claim, 7 Drawing Sheets



(56)

References Cited

U.S. PATENT DOCUMENTS

D319,292 S * 8/1991 Gunzel, Jr. D23/213
 D358,865 S * 5/1995 Englhard D23/213
 D431,068 S * 9/2000 Beaver D23/213
 D433,095 S * 10/2000 Beaver D23/213
 D445,872 S * 7/2001 Ketcham D23/225
 D451,581 S * 12/2001 Shanklin D23/213
 D468,801 S * 1/2003 Hubmann D23/225
 D474,256 S * 5/2003 Hubmann D23/213
 D509,560 S 9/2005 Hubmann et al.
 D519,602 S * 4/2006 Dodd D23/213
 7,350,722 B2 * 4/2008 Shanklin B05B 7/2443
 222/484
 7,631,819 B2 * 12/2009 Shanklin B05B 7/2443
 137/893
 7,730,588 B1 * 6/2010 Bernier B25G 3/18
 24/271
 D709,988 S 7/2014 Ford
 9,248,967 B1 * 2/2016 Gregg B65G 7/12
 D760,870 S 7/2016 Popek et al.
 9,725,293 B2 8/2017 Quasters
 D821,541 S 6/2018 McDonnell
 D825,030 S 8/2018 McDonnell
 D827,773 S 9/2018 Schneider
 10,077,145 B1 9/2018 Boucher et al.
 D831,791 S * 10/2018 Tse D23/213
 D846,695 S * 4/2019 Pease D23/223
 D851,728 S * 6/2019 Tse D23/213
 D859,584 S * 9/2019 Ramsuer D23/213
 D917,665 S 4/2021 Chen
 D919,046 S 5/2021 Urry

D921,838 S 6/2021 Chen
 D923,746 S 6/2021 Svendsen et al.
 D923,747 S 6/2021 Svendsen et al.
 D928,288 S * 8/2021 Svendsen D23/223
 D942,587 S * 2/2022 Urry D23/223
 2011/0220738 A1 * 9/2011 Cheng B05B 1/265
 239/526
 2016/0263593 A1 * 9/2016 Keim B05B 1/30
 2017/0204978 A1 * 7/2017 Huang B05B 1/1636
 2021/0039020 A1 2/2021 Stafstrom et al.
 2021/0121899 A1 4/2021 Kalinich et al.

OTHER PUBLICATIONS

Flexi Hose Fireman's Spray Nozzle with 10 Spray Modes—Heavy-Duty Water Nozzle with No-Slip Ergonomic Grip and Lever Handle, Aug. 31, 2020, amazon.ca, Mar. 8, 2022, URL: <https://www.amazon.ca/Flexi-Hose-Firemans-Spray-Nozzle/dp/B08H1WFTKL/> (Year: 2020).*

Dixon Valve ACPSO150F Aluminum Fire Equipment, Ball Shut-Off Nozzle, Nov. 29, 2012, Amazon.com, Aug. 27, 2021. URL: https://www.amazon.com/Dixon-Valve-ACPSO150F-Aluminum_Equipment/dp/B00AJT4TZ (Year: 2012).

Heavy Duty Plastic 1½" High Flow Pistol Grip Fire Nozzle, Aug. 7, 2018, Amazon.com, Aug. 27, 2018. URL: <https://www.amazon.com/Heavy-Duty-Plastic-Pistol-Nozzle/dp/B018YE0LGQ> (Year: 2018).

Duct Reducer Round Reducer Duct Fitting Pipe, Nov. 26, 2019, Amazon.com, Aug. 27, 2021. URL: https://www.amazon.com/Reducer-Fitting-Increaser_Reducing-Coupling/dp/B0822VW7QR (Year: 2019).

* cited by examiner

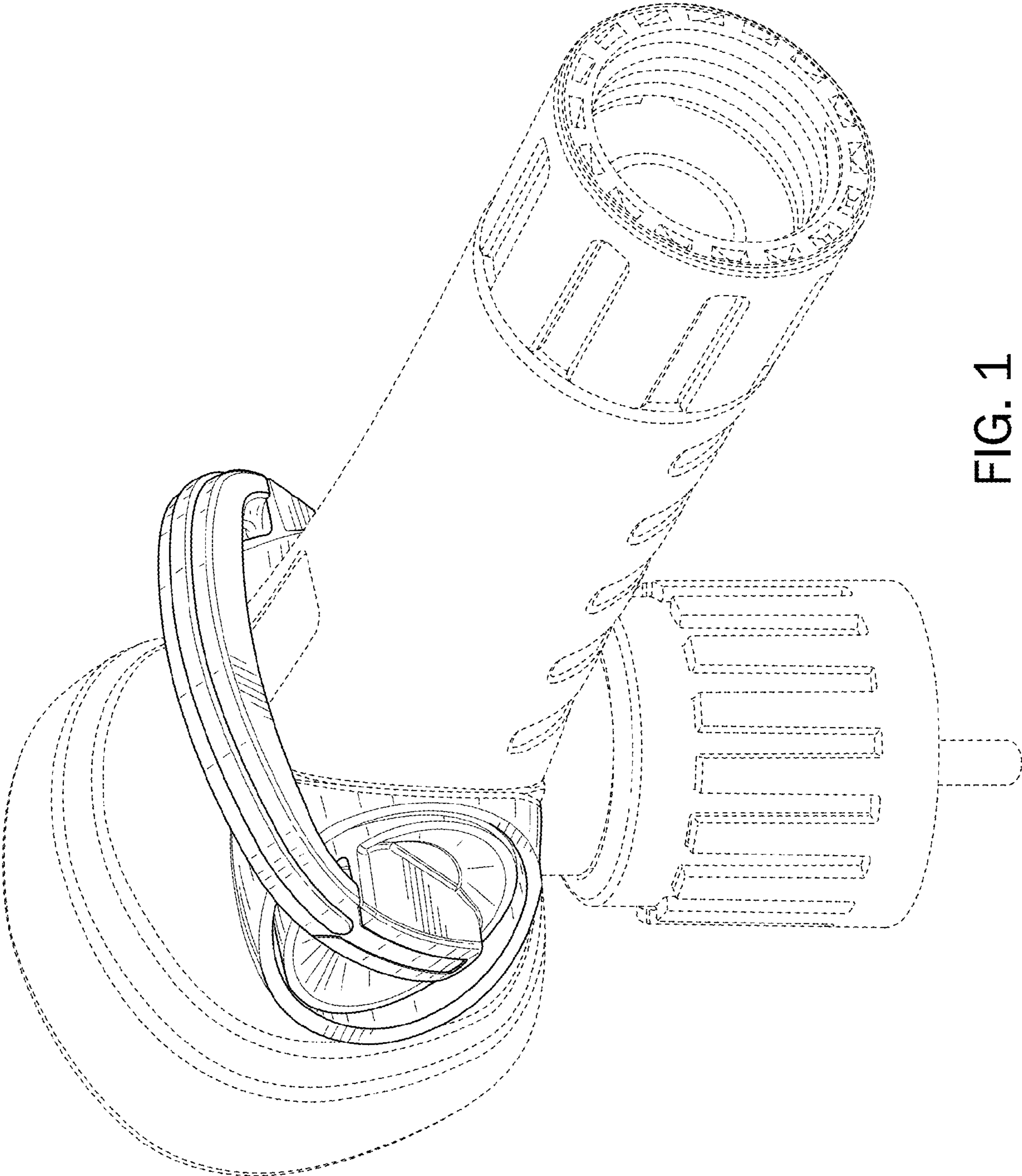


FIG. 1

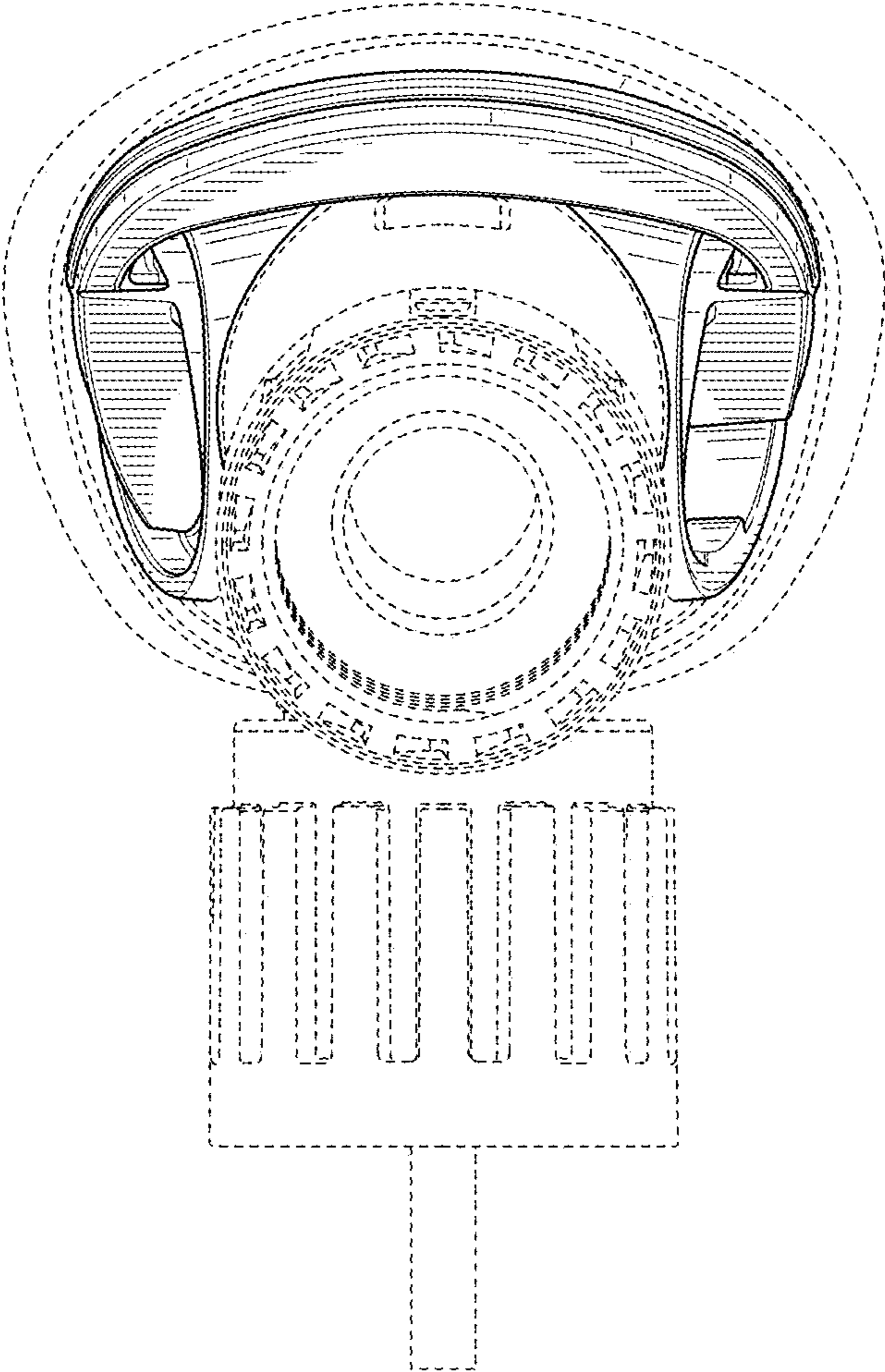


FIG. 2

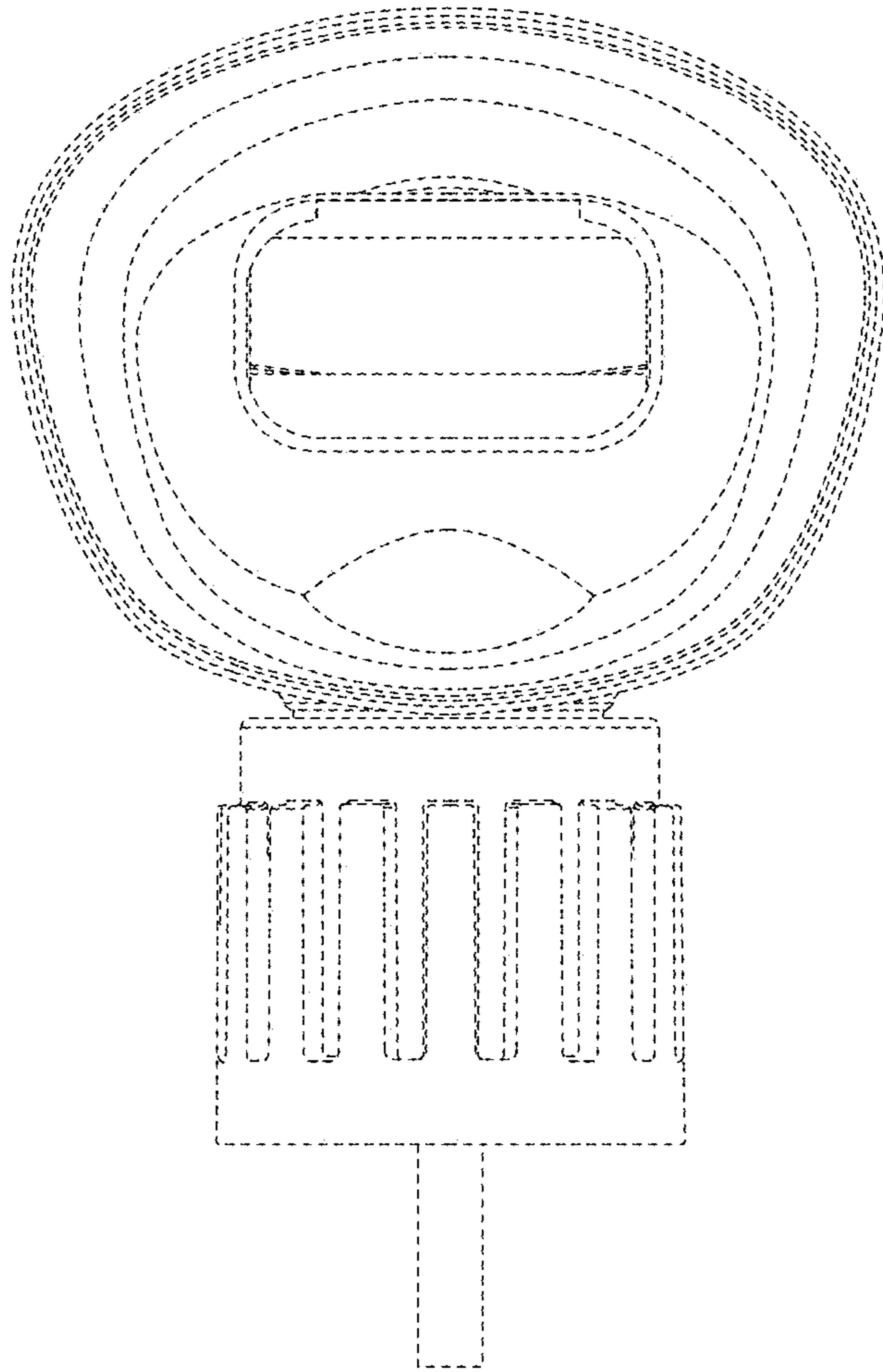


FIG. 3

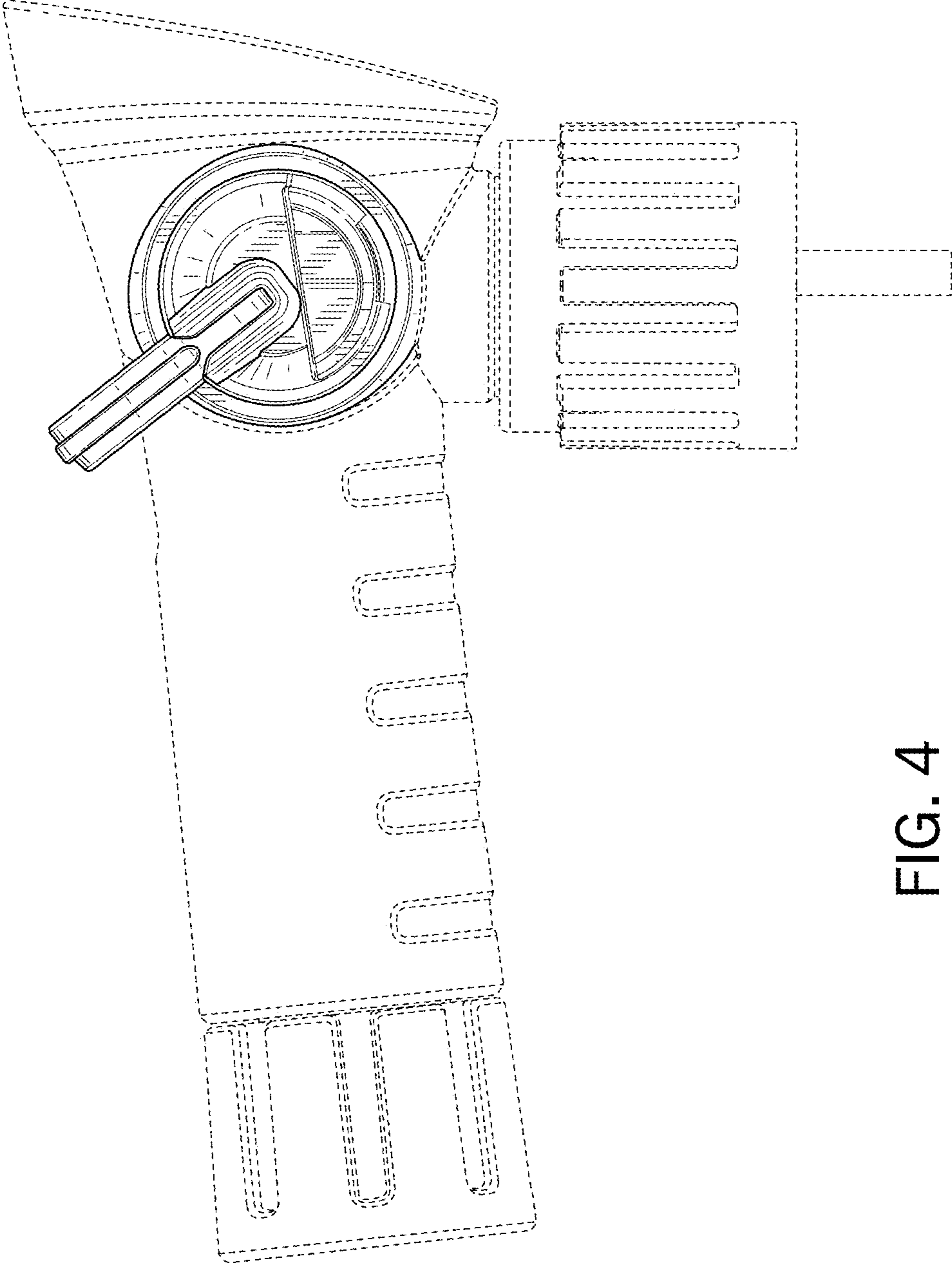


FIG. 4

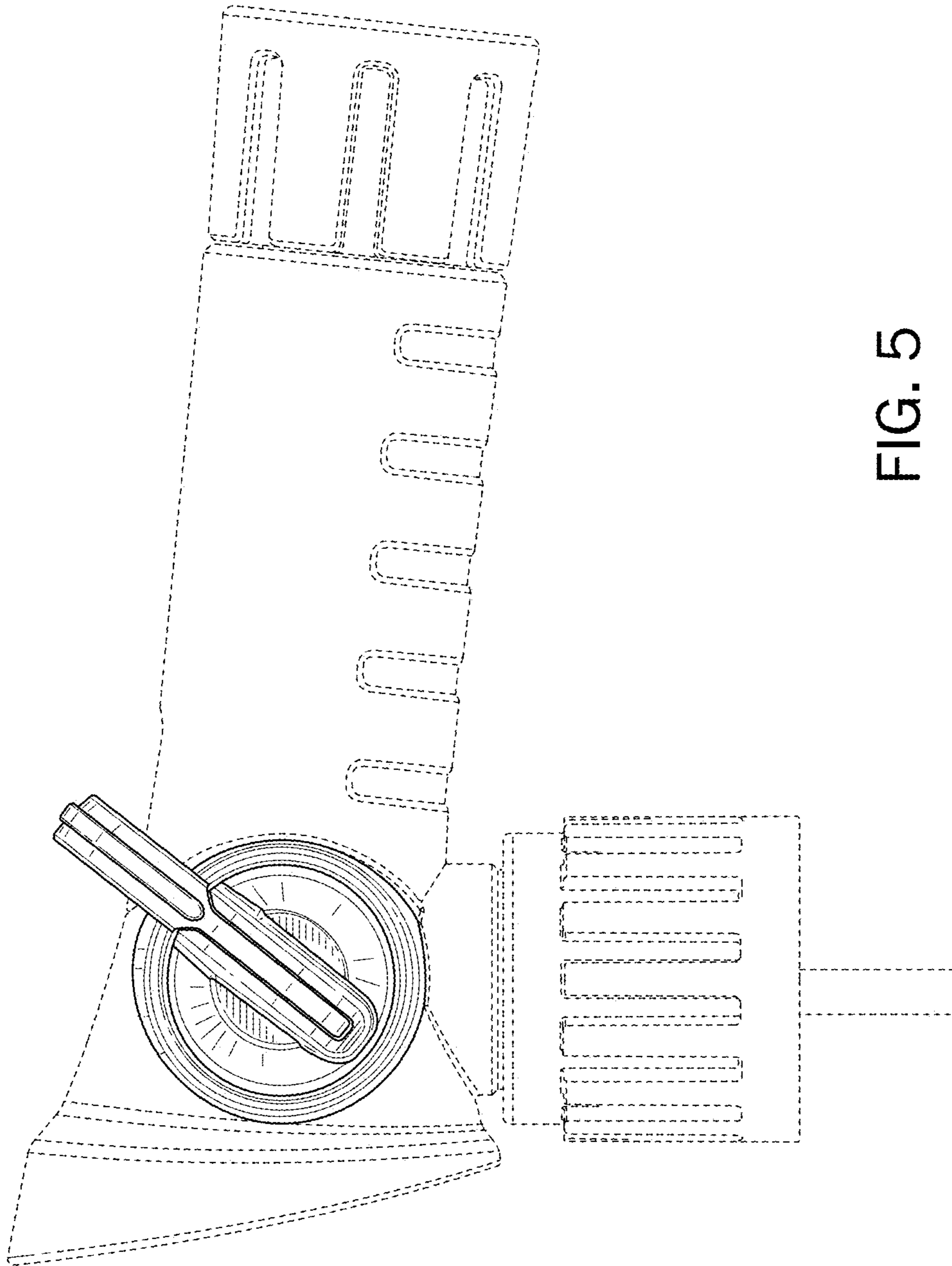


FIG. 5

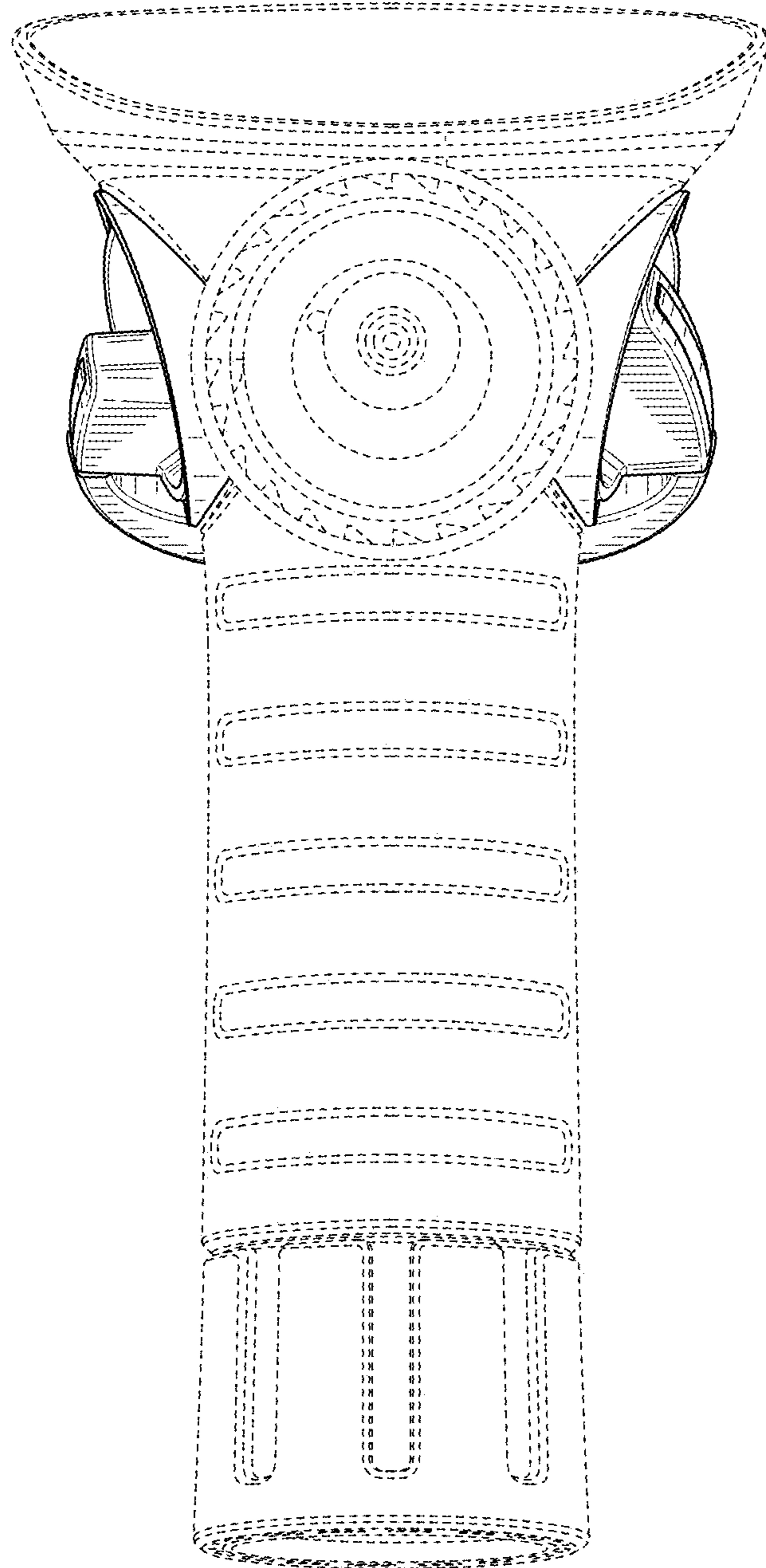


FIG. 6

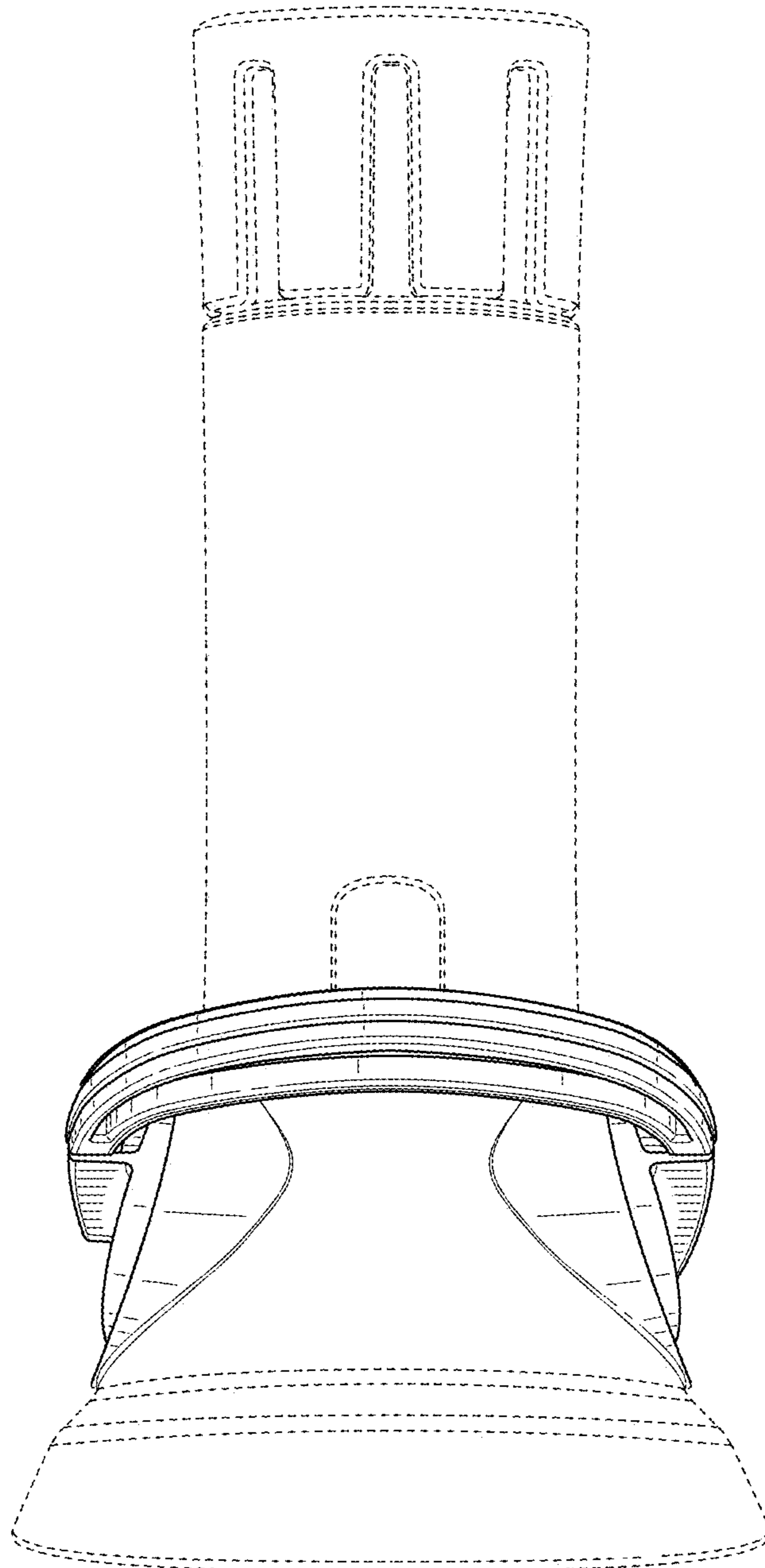


FIG. 7