



US00D958935S

(12) **United States Design Patent** (10) **Patent No.:** **US D958,935 S**  
**Yu et al.** (45) **Date of Patent:** **\*\* Jul. 26, 2022**

- (54) **COVER FOR A FLUID FILTER** D717,395 S \* 11/2014 Neto ..... D23/209  
D731,035 S \* 6/2015 Lo Cicero ..... B01D 46/24
- (71) Applicant: **Ye Siang Enterprise Co., Ltd.**, New Taipei (TW) D23/269  
D806,834 S \* 1/2018 Schweitzer ..... D23/260  
D841,784 S \* 2/2019 Sharratt ..... D23/269  
D892,598 S \* 8/2020 Gebhardt ..... D8/349
- (72) Inventors: **Ting-Fang Yu**, New Taipei (TW); D912,763 S \* 3/2021 Huang ..... D23/209  
**Shih-Chieh Chuang**, New Taipei (TW); D924,008 S \* 7/2021 Kim ..... D7/505  
**Shih-Hsien Chuang**, New Taipei (TW); D941,444 S \* 1/2022 Smith ..... D23/269  
**Wei-Kuo Kong**, New Taipei (TW) D949,287 S \* 4/2022 Tu ..... D23/209  
D949,288 S \* 4/2022 Wang ..... D23/209
- (73) Assignee: **YE SIANG ENTERPRISE CO., LTD.**, New Taipei (TW) 2004/0124130 A1 \* 7/2004 Walker, Jr. .... B01D 35/30  
210/232  
2007/0221585 A1 \* 9/2007 Vozar ..... B01D 46/24  
210/767

(\*\*) Term: **15 Years**

\* cited by examiner

(21) Appl. No.: **29/764,841**

*Primary Examiner* — Karen S Acker

(22) Filed: **Jan. 4, 2021**

*Assistant Examiner* — Jonathan E Fiencke

(51) **LOC (13) Cl.** ..... **23-01**

(74) *Attorney, Agent, or Firm* — Birch, Stewart, Kolasch & Birch, LLP

(52) **U.S. Cl.**

USPC ..... **D23/209**

(58) **Field of Classification Search**

USPC ..... D7/550.1, 553.1, 553.4, 553.5, 553.8,  
D7/554.2; D9/737, 747, 749, 761;  
D23/206–207, 209, 227, 249, 260–261,  
D23/269, 313; D12/175, 204–212;  
D8/349, 397–399

CPC ..... B01D 27/00; B01D 35/30; B01D 35/306;  
B01D 27/08; B01D 29/21; C02F 1/002;  
C02F 1/003; C02F 2307/02

See application file for complete search history.

(57) **CLAIM**

The ornamental design for a cover for a fluid filter, as shown and described.

**DESCRIPTION**

FIG. 1 is a top, front, and right side perspective view of a cover for a fluid filter, showing the new design;  
FIG. 2 is a front view thereof;  
FIG. 3 is a rear view thereof;  
FIG. 4 is a left side view thereof;  
FIG. 5 is a right side view thereof;  
FIG. 6 is a top view thereof;  
FIG. 7 is a bottom view thereof; and,  
FIG. 8 is a bottom, rear, and left side view thereof.

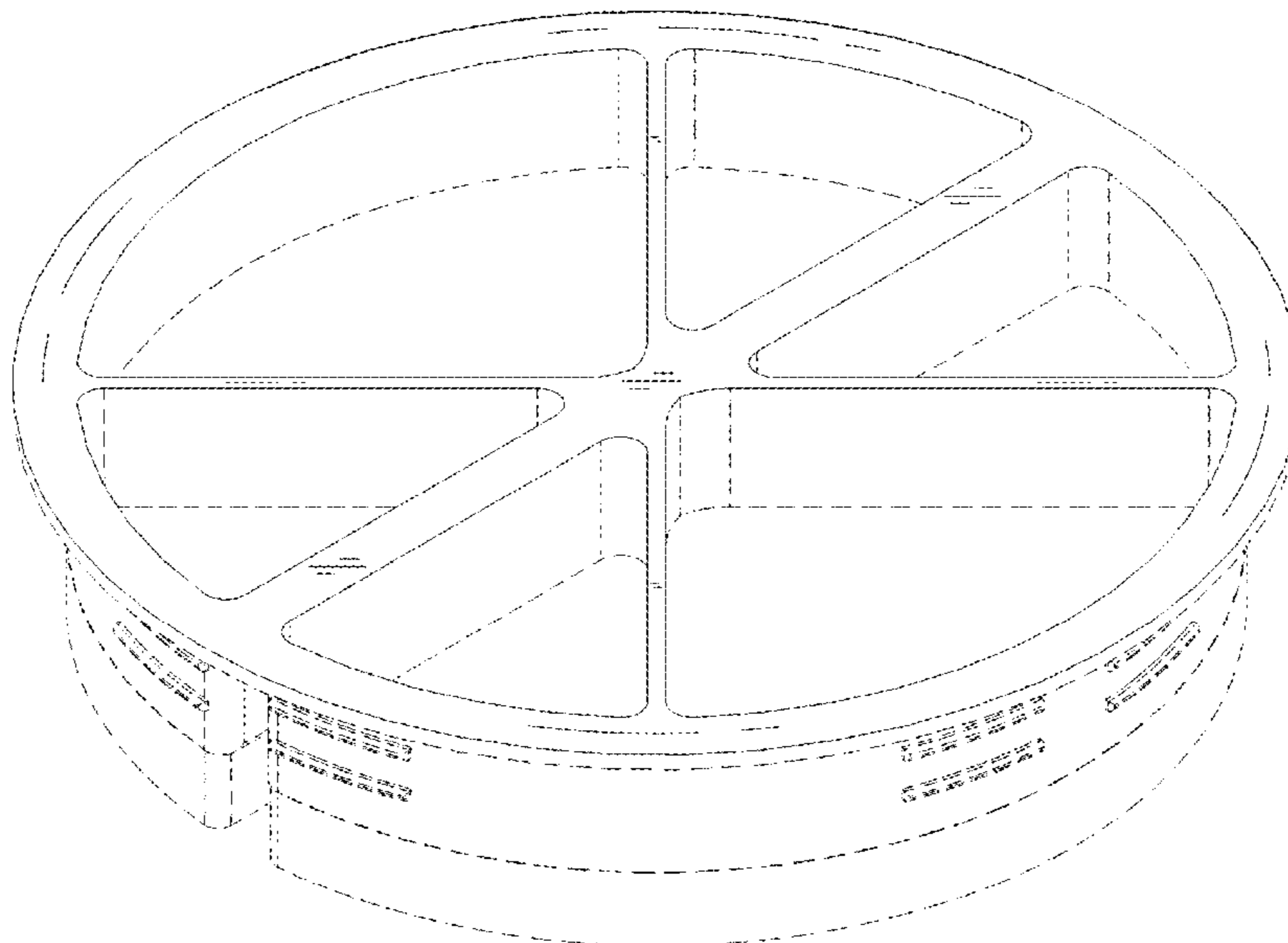
The broken lines and unshaded areas adjacent to solid lines depict portions of the cover for a fluid filter that form no part of the claimed design.

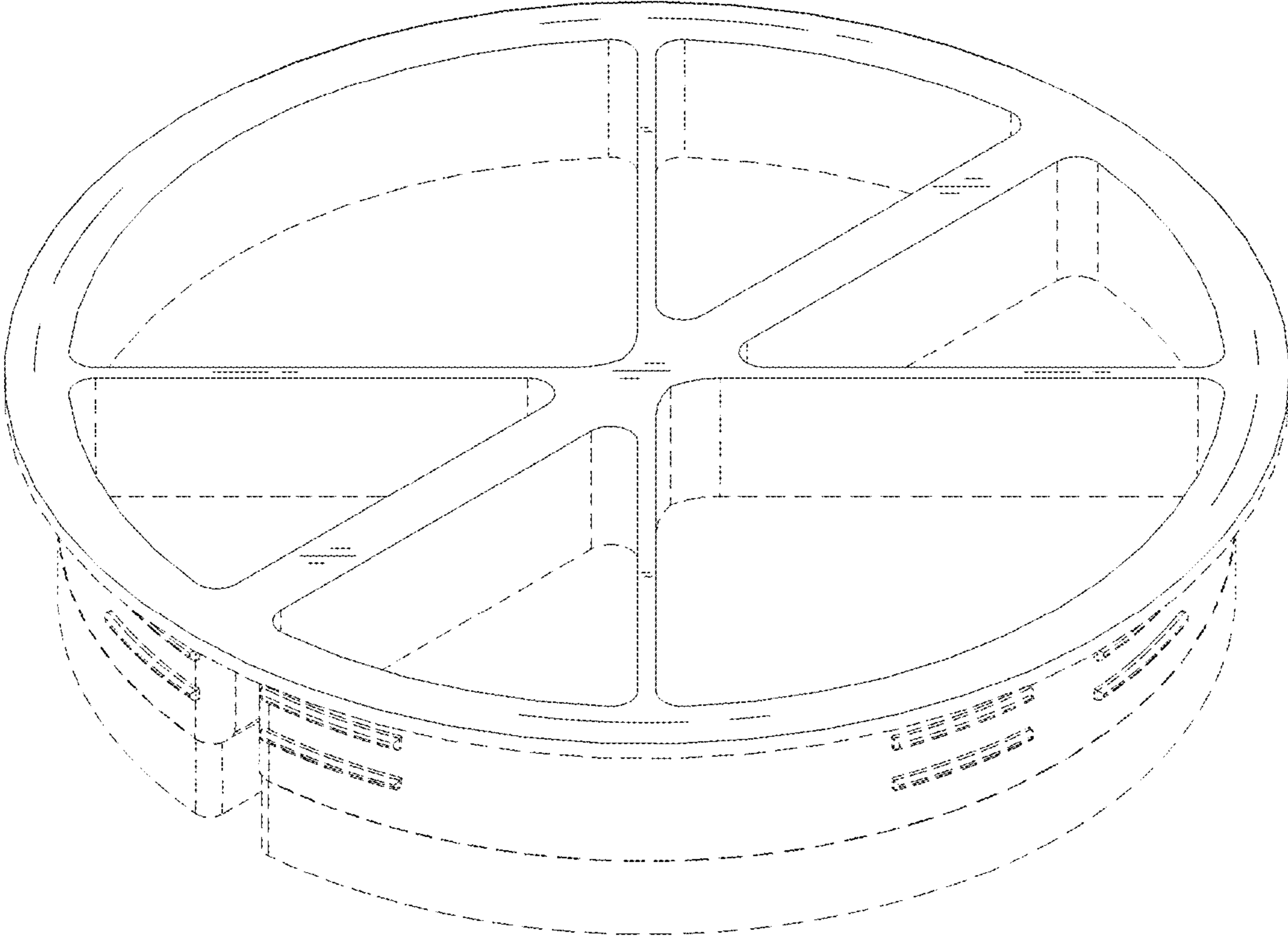
(56) **References Cited**

**U.S. PATENT DOCUMENTS**

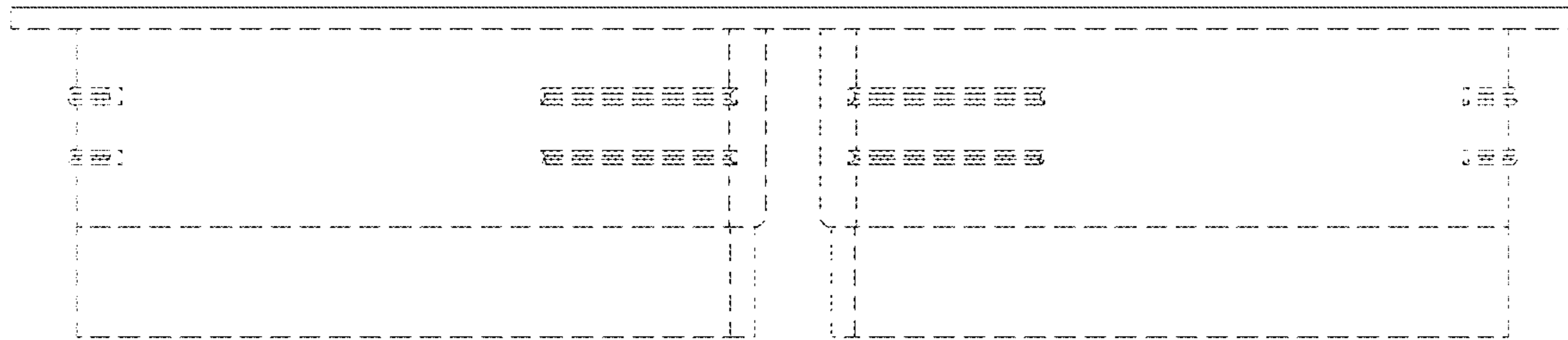
- D241,828 S \* 10/1976 Hall ..... D12/205
- D269,852 S \* 7/1983 Frieberg ..... D8/399
- D355,708 S \* 2/1995 Caine ..... B01D 35/30  
D23/260
- D412,691 S \* 8/1999 Sands ..... D12/205
- D700,299 S \* 2/2014 Mjelde ..... D23/261

**1 Claim, 8 Drawing Sheets**

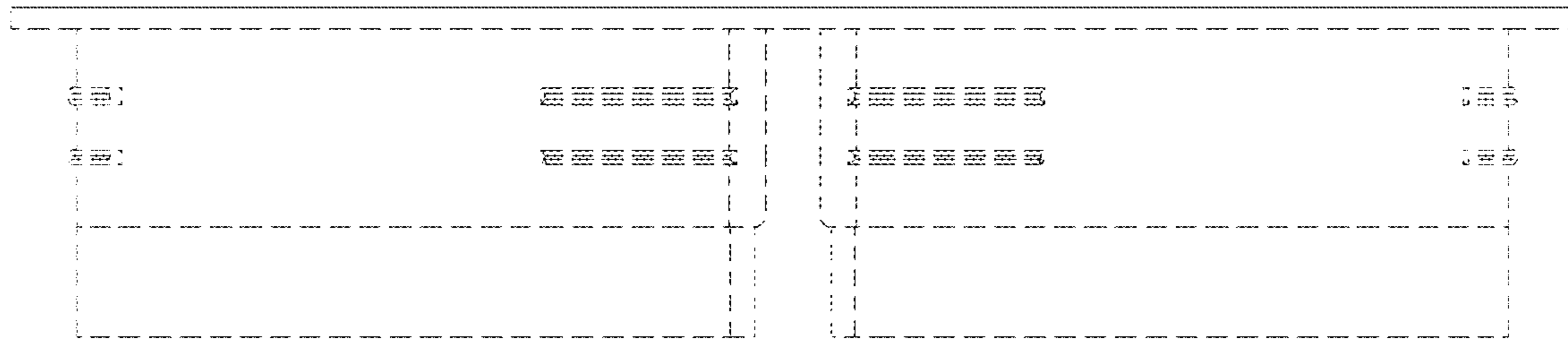




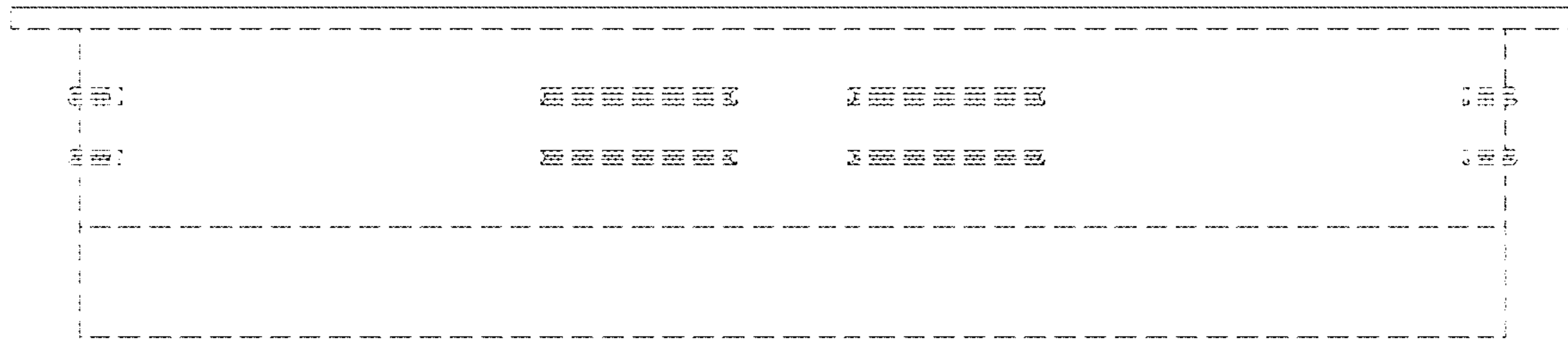
**FIG. 1**



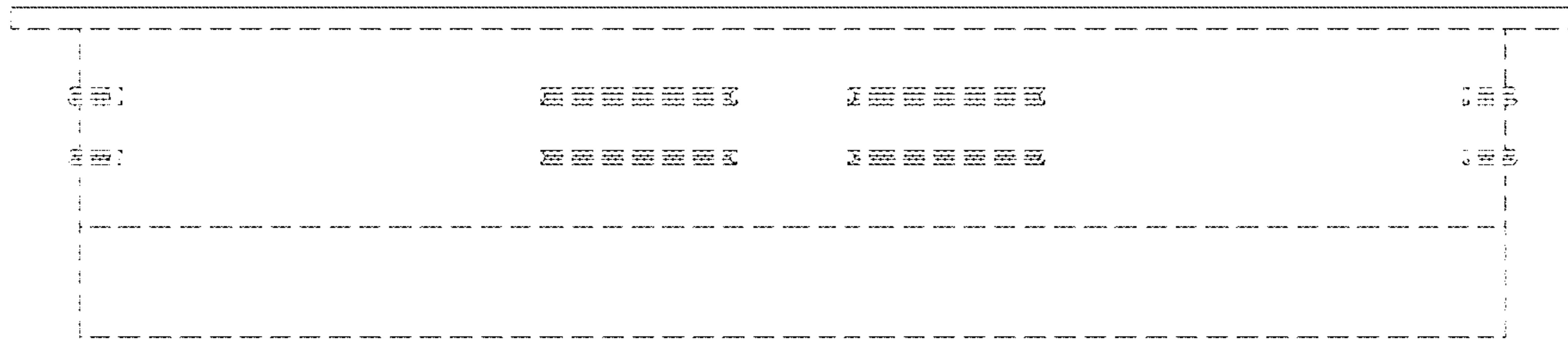
**FIG. 2**



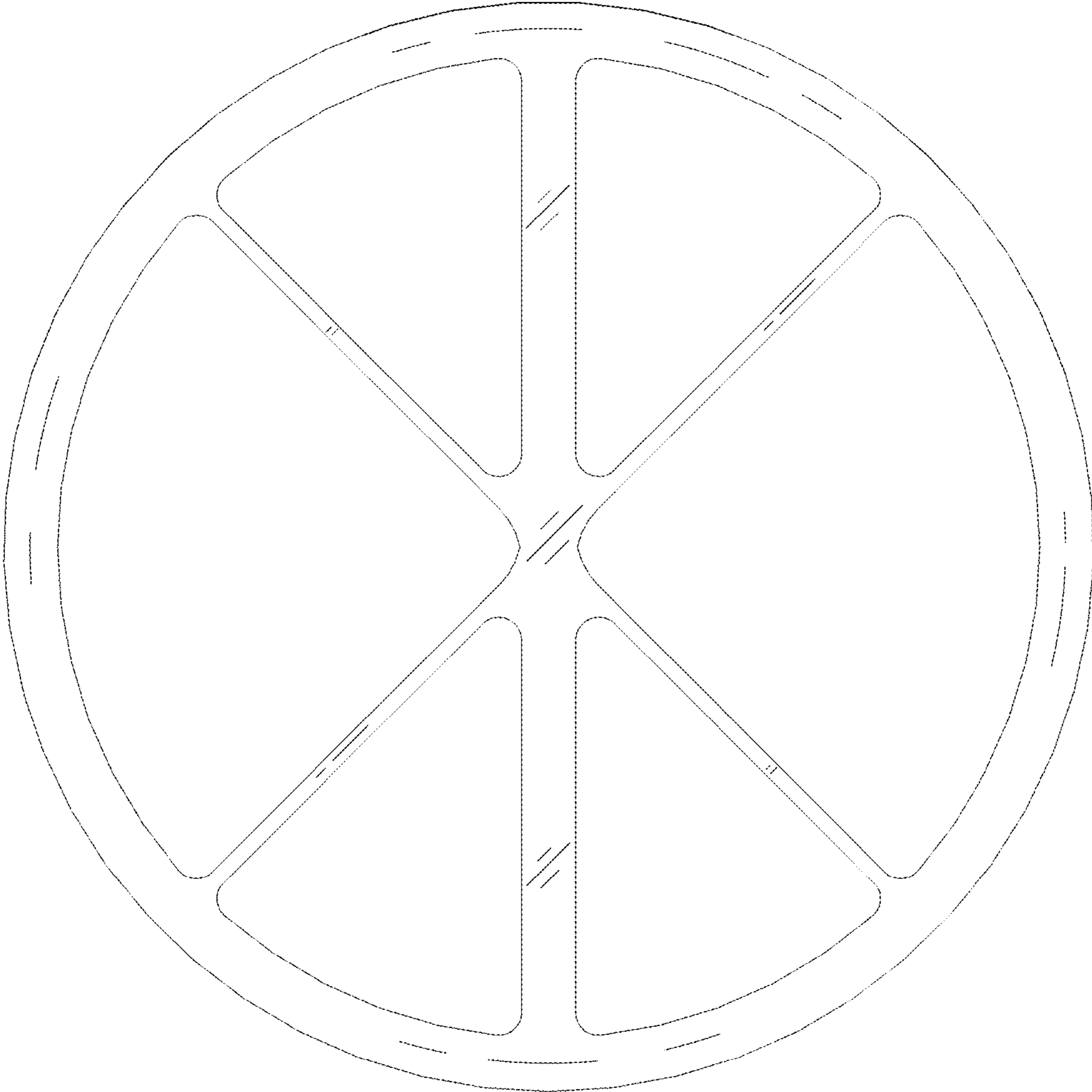
**FIG. 3**



**FIG. 4**

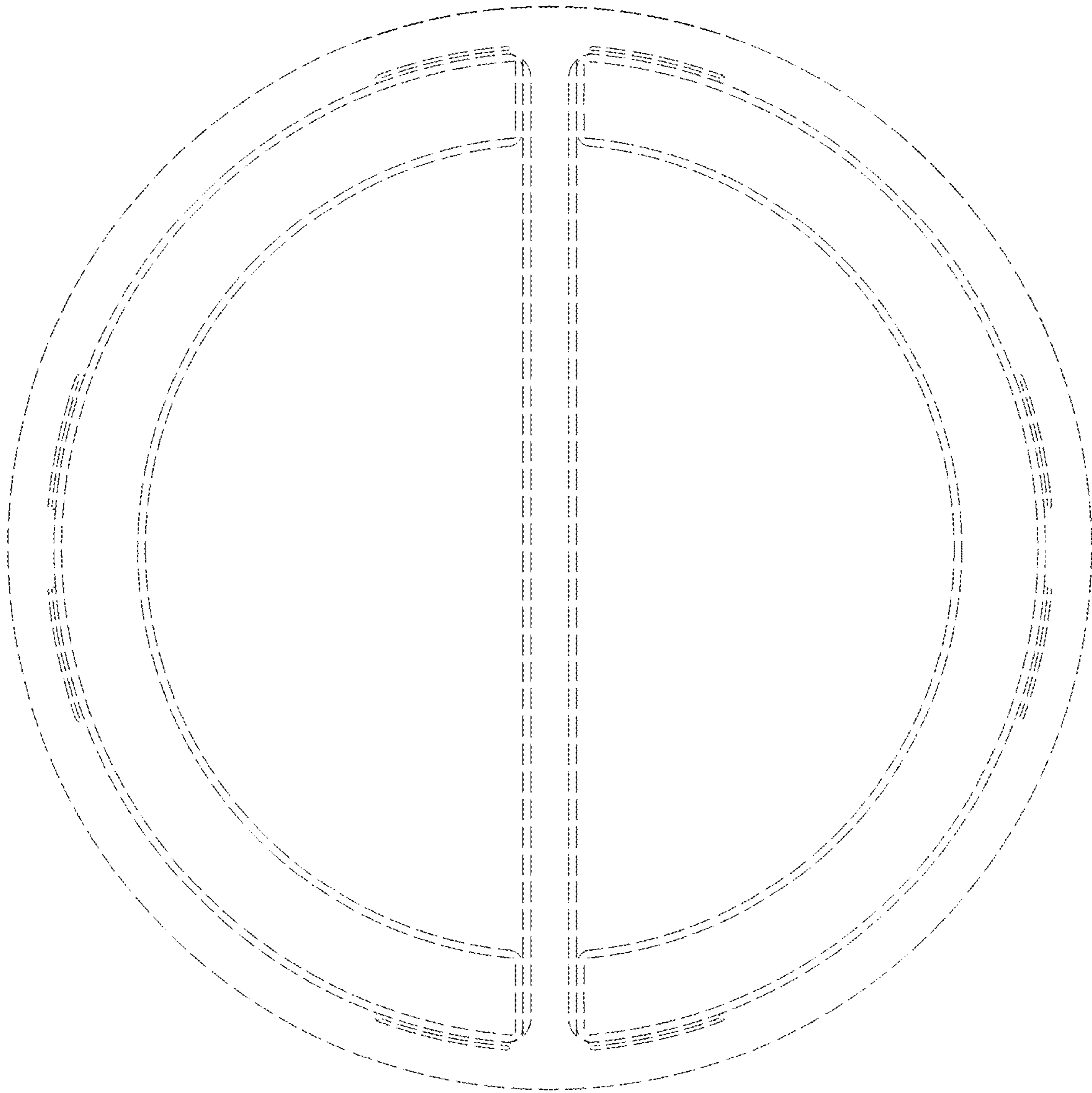


**FIG. 5**



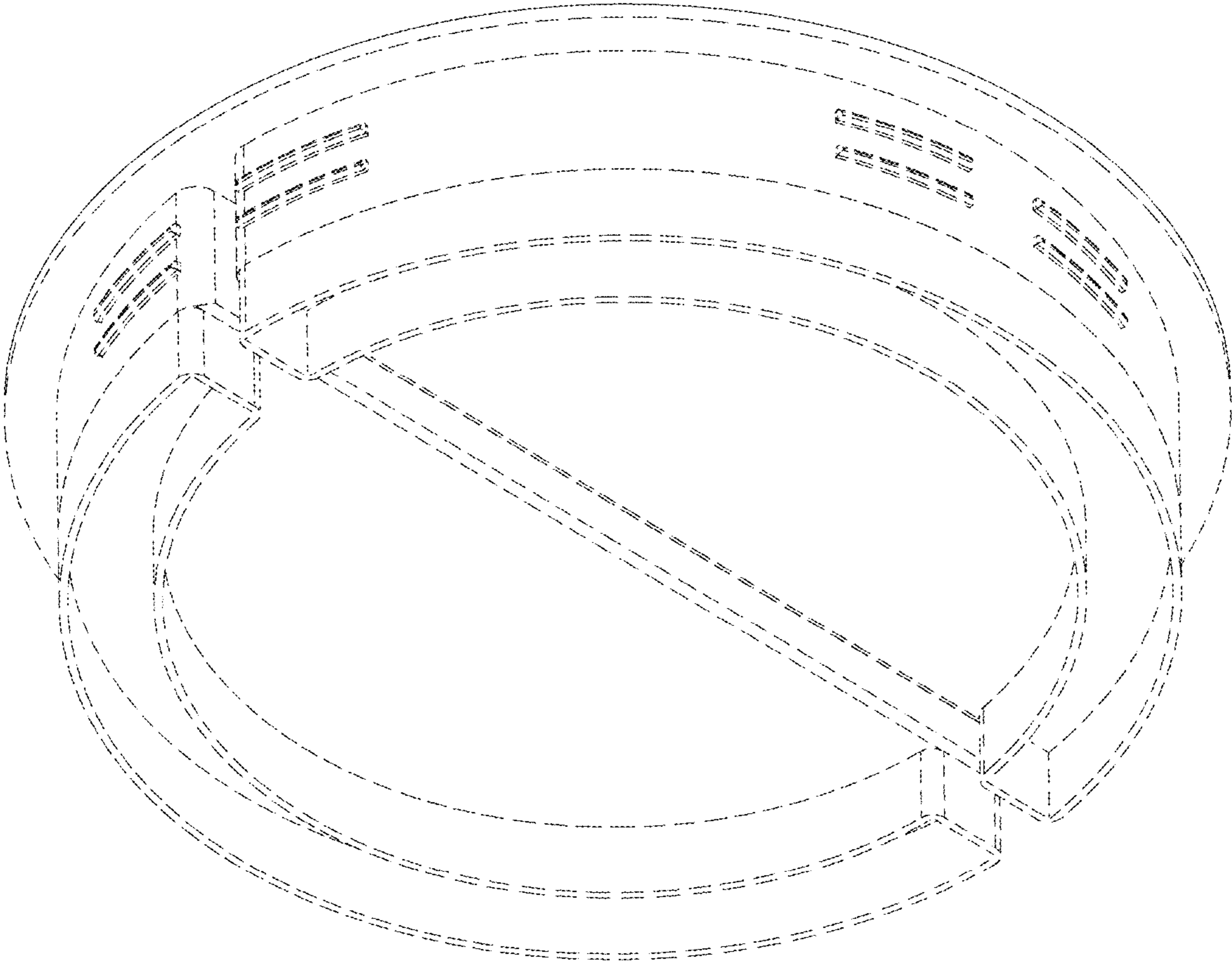
**FIG. 6**





**FIG. 7**





**FIG. 8**