



US00D958931S

(12) **United States Design Patent**
Li

(10) **Patent No.:** **US D958,931 S**
(45) **Date of Patent:** **** Jul. 26, 2022**

- (54) **OIL WATER SEPARATOR WITH REPLACEABLE FILTER**
- (71) Applicant: **Wuhu TianHao E-commerce CO., LTD.**, Wuhu (CN)
- (72) Inventor: **Zhenzhen Li**, Wuhu (CN)
- (**) Term: **15 Years**
- (21) Appl. No.: **29/748,006**
- (22) Filed: **Aug. 26, 2020**
- (51) **LOC (13) Cl.** **23-01**
- (52) **U.S. Cl.**
USPC **D23/209**
- (58) **Field of Classification Search**
USPC D23/207, 208, 209, 210, 235, 355, 363,
D23/365; D24/162, 217, 229
CPC B01D 27/00; B01D 27/08; B01D 35/02;
B01D 2201/305; B01D 2201/309; B01D
2201/4023; C02F 2201/002; C02F
2307/10
See application file for complete search history.

D832,394	S	*	10/2018	Sutton	D23/209
D852,321	S	*	6/2019	Downie	D23/209
D852,322	S	*	6/2019	Downie	D23/209
D945,559	S	*	3/2022	Wei	D23/209
2013/0256206	A1	*	10/2013	Thalmann	B01D 35/306 210/232
2016/0131086	A1	*	5/2016	Thalmann	B01D 29/21 210/232
2019/0329159	A1	*	10/2019	Mincher	B01D 35/153
2020/0102921	A1	*	4/2020	Thalmann	F02M 37/32

OTHER PUBLICATIONS

IFJF Fuel Filter—Water Separator Assembly, Oct. 22, 2020, Amazon, site visited Mar. 7, 2022: <https://www.amazon.com/dp/B08LNGBM7P/> (Year: 2020).*

(Continued)

Primary Examiner — Jack Reickel
Assistant Examiner — Bobby W Jones, II

(57) **CLAIM**

The ornamental design for an oil water separator with replaceable filter, as shown and described.

(56) **References Cited**

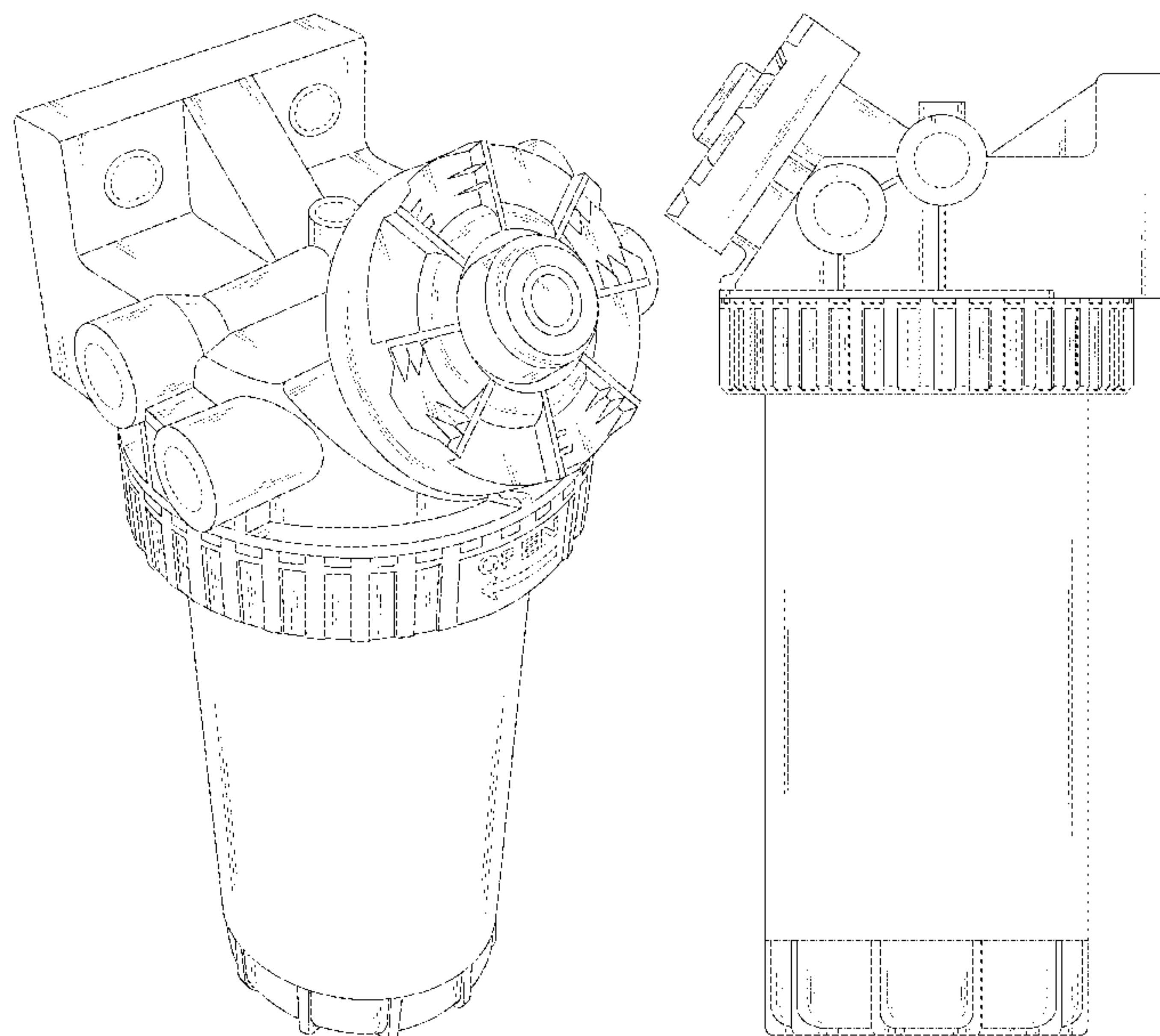
U.S. PATENT DOCUMENTS

D251,601	S	*	4/1979	Kuykendall	D23/209
5,186,829	A	*	2/1993	Janik	B01D 27/08 210/232
5,413,711	A	*	5/1995	Janik	B01D 27/08 210/438
D502,531	S	*	3/2005	Liu	D23/209
D610,649	S	*	2/2010	Kulikov	D23/209
D644,713	S	*	9/2011	Walton	D23/209
D723,135	S	*	2/2015	Haslem	D23/209
D783,774	S	*	4/2017	Costantini	D23/209
D786,399	S	*	5/2017	Brixius	B01D 35/30 D23/209
D788,263	S	*	5/2017	Brixius	B01D 35/30 D23/209

DESCRIPTION

FIG. 1 is a perspective view of an oil water separator with replaceable filter showing my new design;
FIG. 2 is a front view thereof;
FIG. 3 is a rear view thereof;
FIG. 4 is a left side view thereof;
FIG. 5 is a right side view thereof;
FIG. 6 is a top plan view thereof; and,
FIG. 7 is a bottom plan view thereof.
The evenly-broken lines where present illustrate portions of the oil water separator with replaceable filter that form no part of the claimed design.

1 Claim, 7 Drawing Sheets



(56)

References Cited

OTHER PUBLICATIONS

IFJF Fuel Filter—Water Separator, May 19, 2020, Amazon, site visited Mar. 7, 2022: <https://www.amazon.com/dp/B088T6WYFX/> (Year: 2020).*

AIPICO Fuel Water Separator Filter Kit, Jul. 6, 2018, Amazon, site visited Mar. 7, 2022: <https://www.amazon.com/dp/B07FJM945Y/> (Year: 2018).*

* cited by examiner

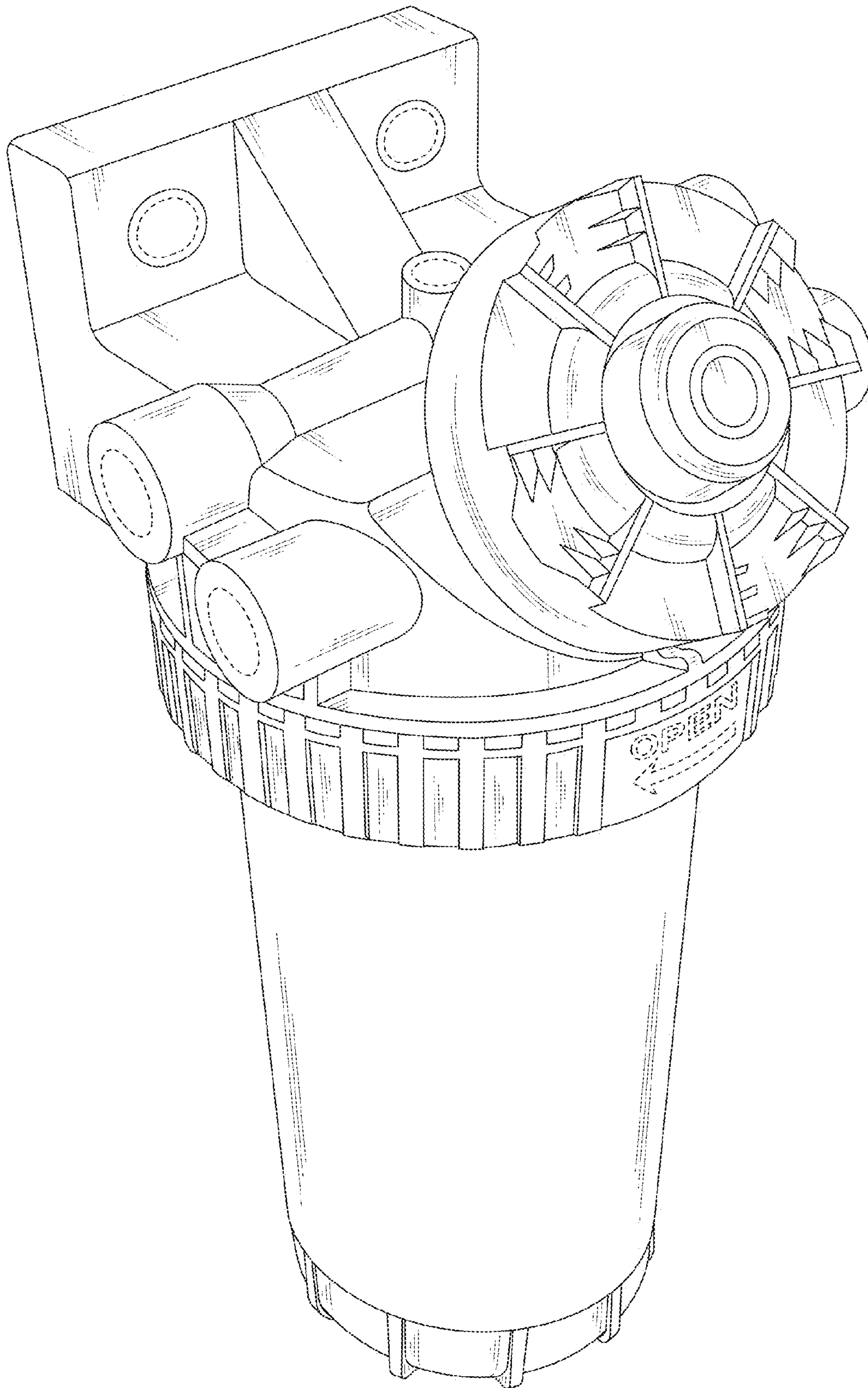


FIG.1

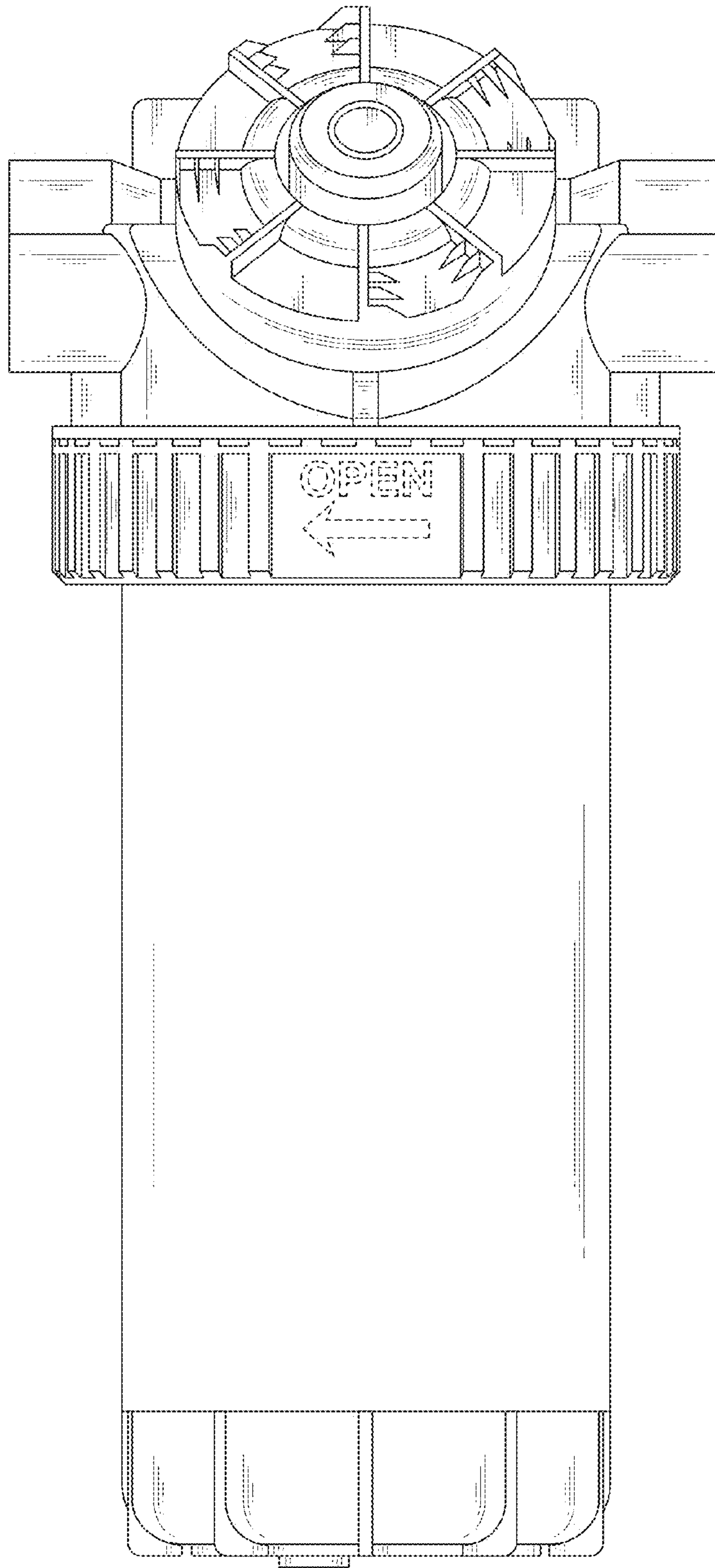


FIG.2

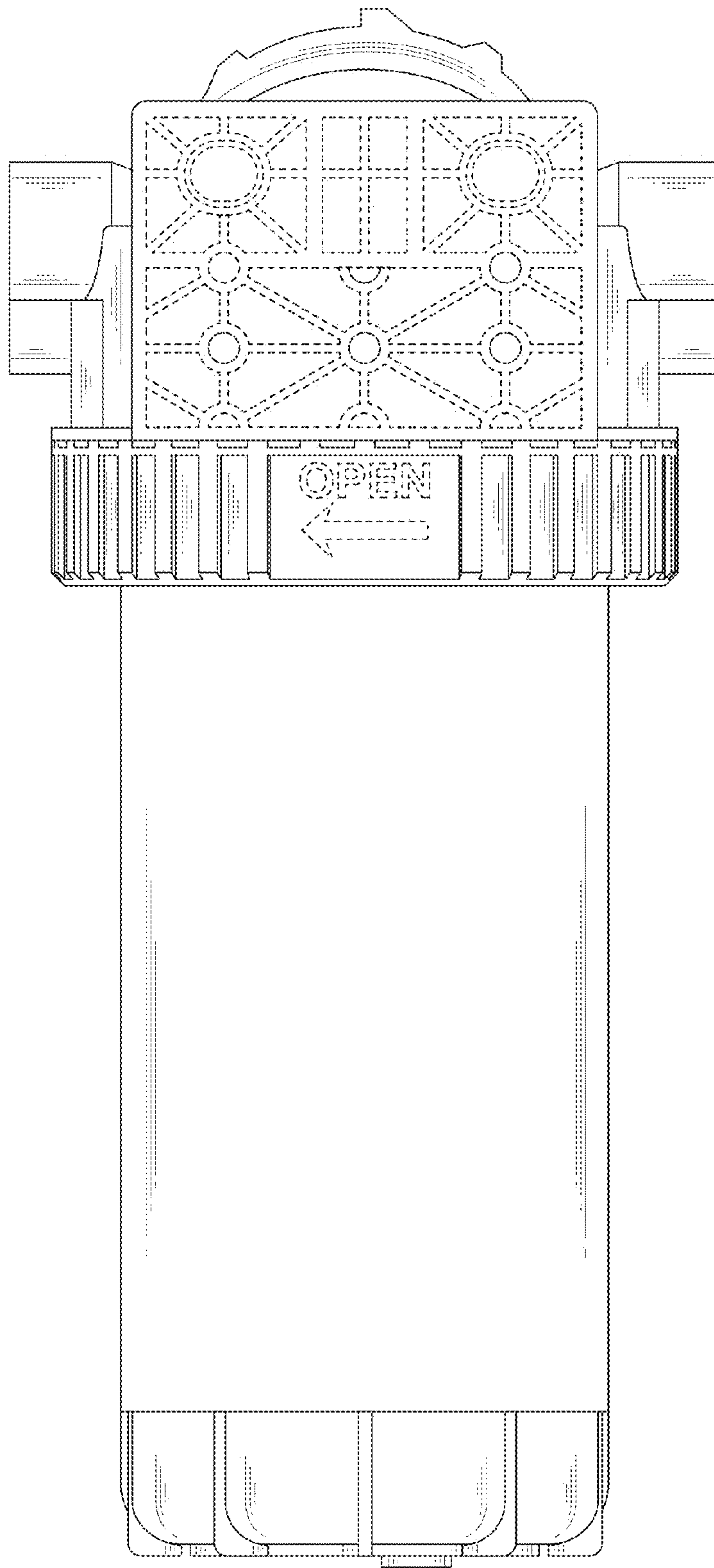


FIG.3

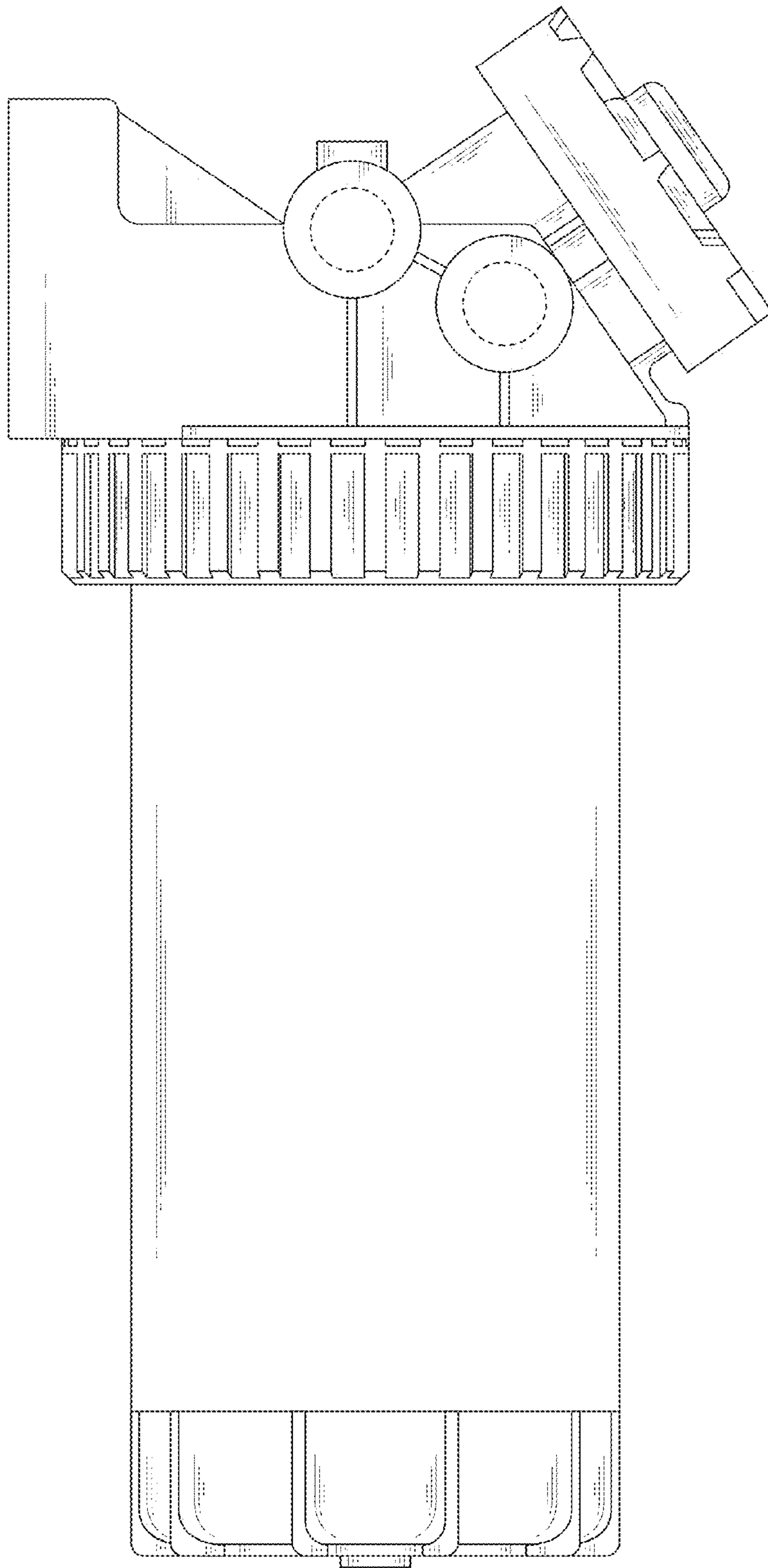


FIG.4

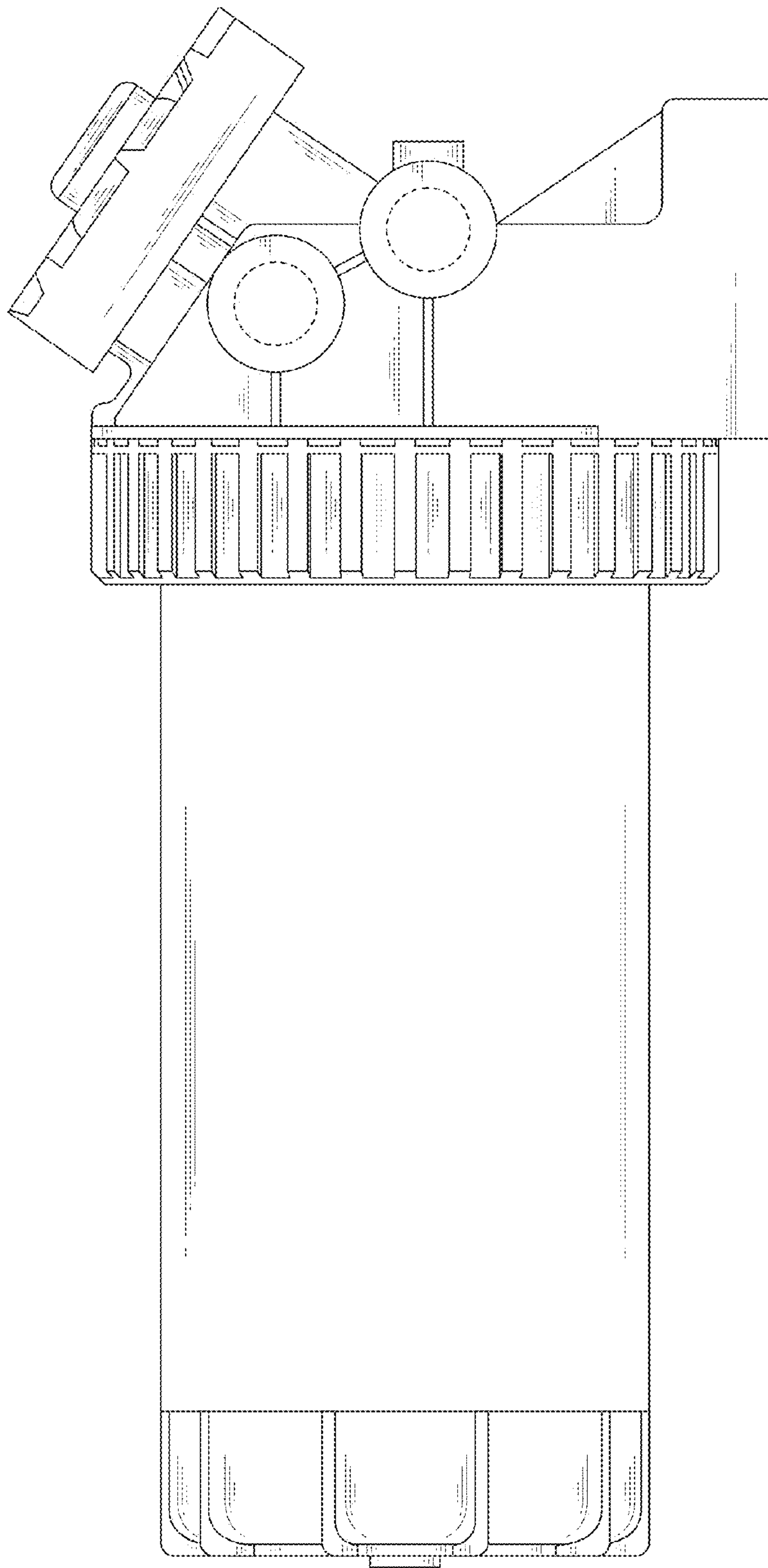


FIG.5

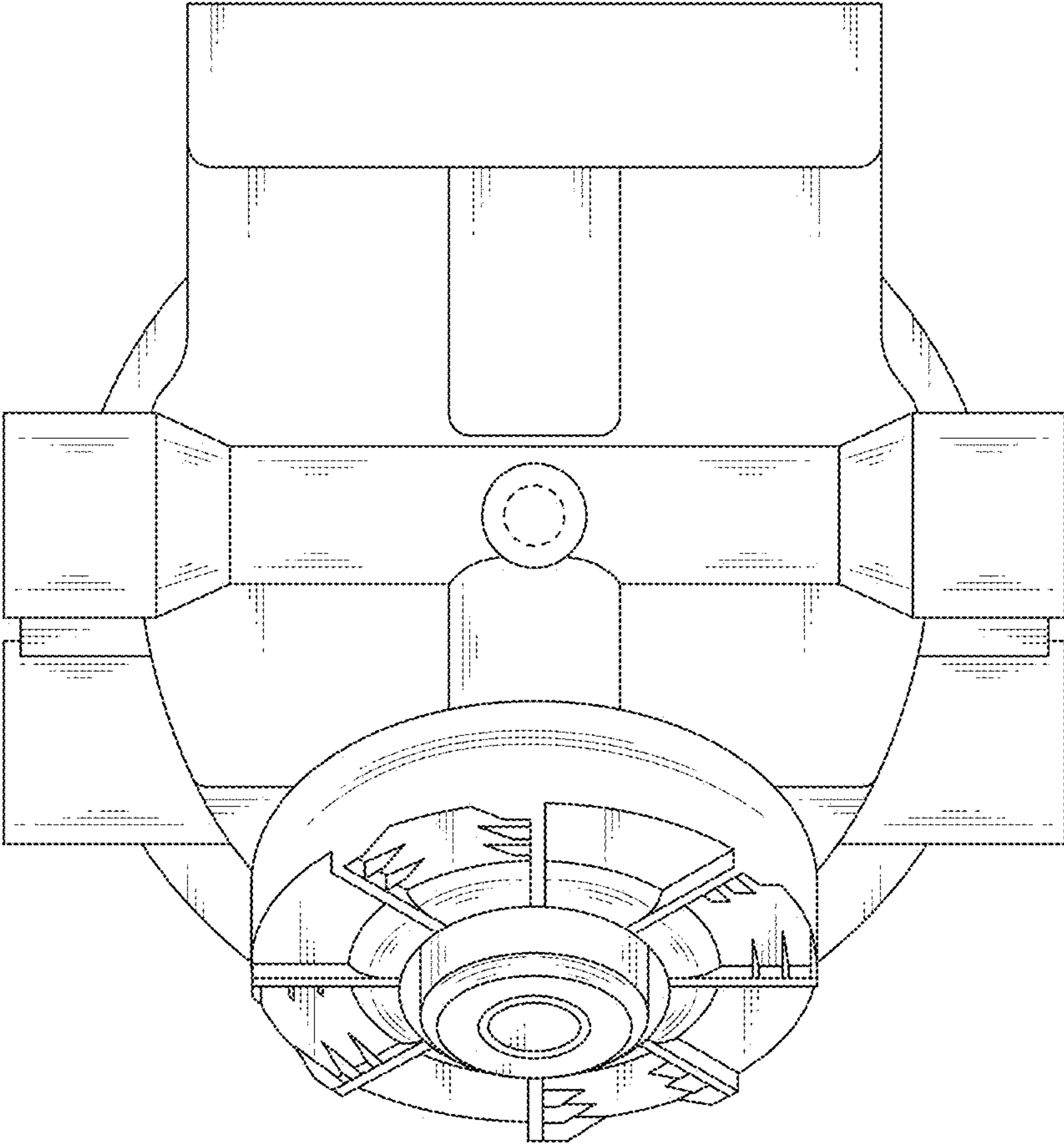


FIG.6

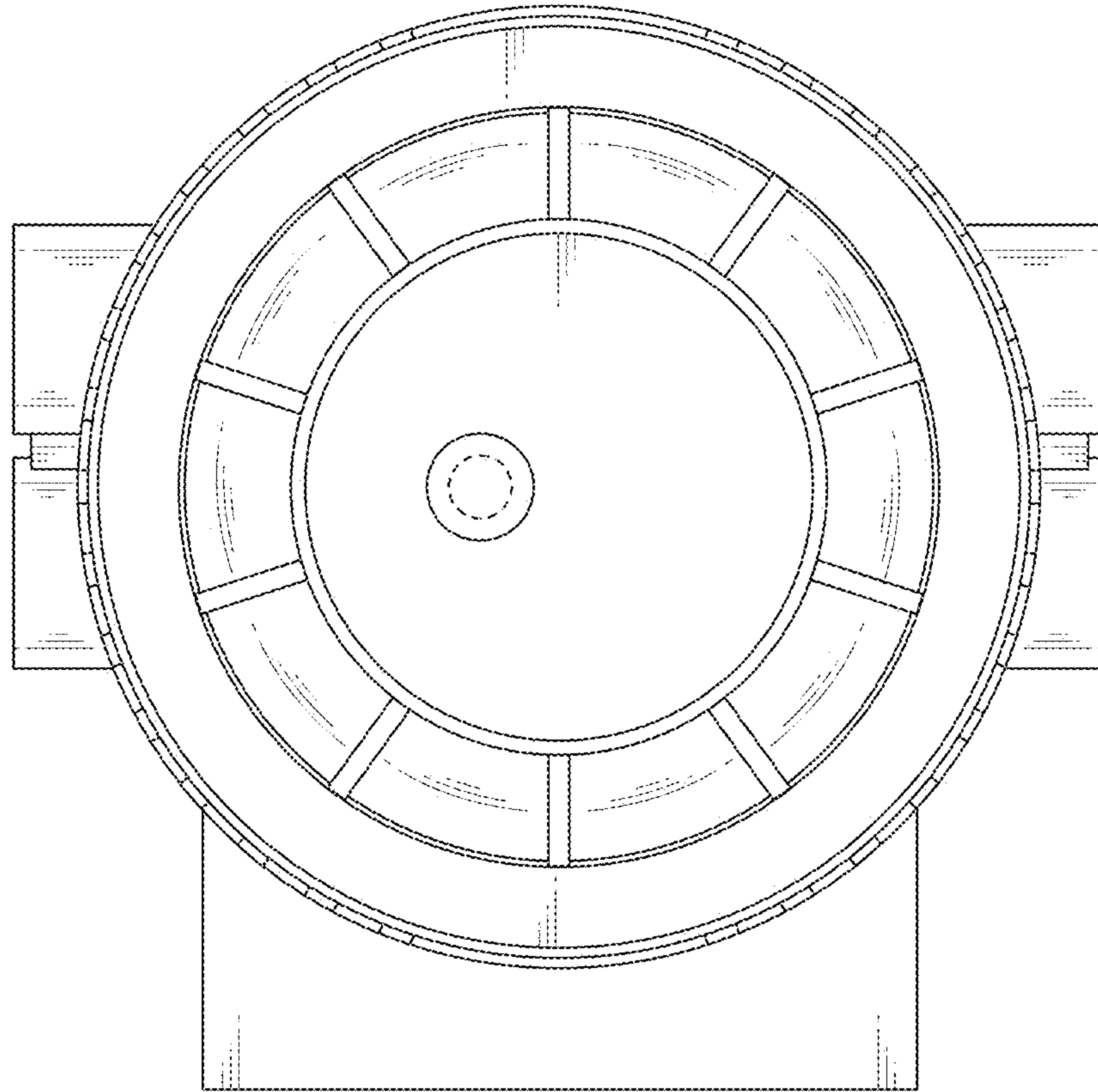


FIG.7