



US00D958930S

(12) **United States Design Patent** (10) **Patent No.:** **US D958,930 S**  
**Mjelde** (45) **Date of Patent:** **\*\* Jul. 26, 2022**

(54) **SKIMMER LID FOR SWIMMING POOLS**

FOREIGN PATENT DOCUMENTS

(71) Applicant: **AquaStar Pool Products, Inc.**, Ventura, CA (US)

CA 144434 \* 9/2012  
JP D1500590 \* 6/2014

(Continued)

(72) Inventor: **Olaf Mjelde**, Ventura, CA (US)

OTHER PUBLICATIONS

(73) Assignee: **AQUASTAR POOL PRODUCTS, INC.**, Ventura, CA (US)

Favorite-trade Swimming Pool Skimmer Deck Lid Cover White for Hayward, Swim-Quip, Sta-Rite U3-9-7/8, available in Amazon.com, customer review oldest date: Aug. 2, 2017 [online], [site visited Mar. 22, 2022], Available from the internet URL: [https://www.amazon.com/dp/B01LQKF6TW/ref=cm\\_sw\\_em\\_r\\_mt\\_dp\\_ZGXQGW2HS](https://www.amazon.com/dp/B01LQKF6TW/ref=cm_sw_em_r_mt_dp_ZGXQGW2HS) (Year: 2017).\*

(\*\*) Term: **15 Years**

(21) Appl. No.: **29/734,225**

(22) Filed: **May 11, 2020**

(51) **LOC (13) Cl.** ..... **23-01**

*Primary Examiner* — Brett Miller

(52) **U.S. Cl.**

*Assistant Examiner* — Jasmine L. Comedy

USPC ..... **D23/209**; D23/207; D23/260

(74) *Attorney, Agent, or Firm* — Cislo & Thomas, LLP

(58) **Field of Classification Search**

USPC ..... D25/2; 49/465; 4/507, 490; D23/260-261, 206-209

CPC ..... E04H 4/1272; E04H 4/1263; E04H 4/169; E04H 4/1254

See application file for complete search history.

(57) **CLAIM**

The ornamental design for a skimmer lid for swimming pools, as shown and described.

(56) **References Cited**

U.S. PATENT DOCUMENTS

**DESCRIPTION**

1,531,113 A \* 3/1925 Lovejoy ..... E02D 29/1427  
49/503

FIG. 1 is a perspective view of my skimmer lid for swimming pools;

1,599,509 A \* 9/1926 Bemis, Sr. .... E02D 29/1427  
49/33

FIG. 2 is a bottom perspective view of the skimmer lid of FIG. 1;

3,820,172 A \* 6/1974 Kane ..... B05B 1/14  
134/167 R

FIG. 3 is a top plan view of the skimmer lid of FIG. 1;

4,737,279 A \* 4/1988 Lewis ..... E04H 4/1272  
134/167 R

FIG. 4 is front elevation view of the skimmer lid of FIG. 1, wherein the side and rear elevation views are the same; and,

5,551,191 A \* 9/1996 Maiwandi ..... E04H 4/1254  
49/465

FIG. 5 is a bottom plan view of the skimmer lid of FIG. 1.

D576,735 S \* 9/2008 Strickler ..... D23/261

The broken lines shown in the drawings illustrate portions of my skimmer lid for swimming pools that form no part of the claimed design.

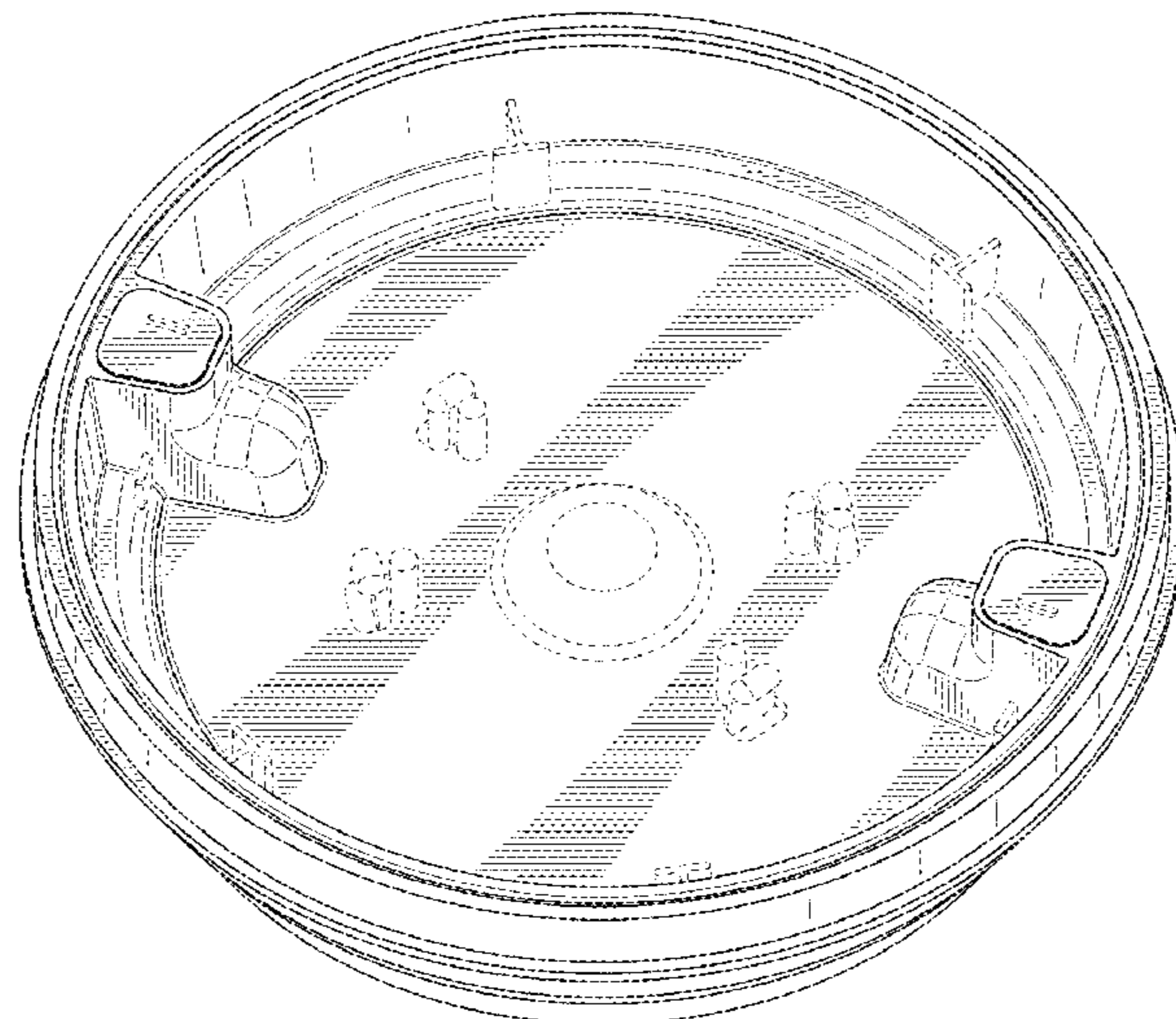
11,268,291 B1 \* 3/2022 Mjelde ..... E04H 4/1236

2006/0226148 A1 \* 10/2006 Hundley ..... B65D 47/0847  
229/404

2008/0310914 A1 \* 12/2008 Salas ..... E03B 7/095  
404/25

(Continued)

**1 Claim, 4 Drawing Sheets**



(56)

**References Cited**

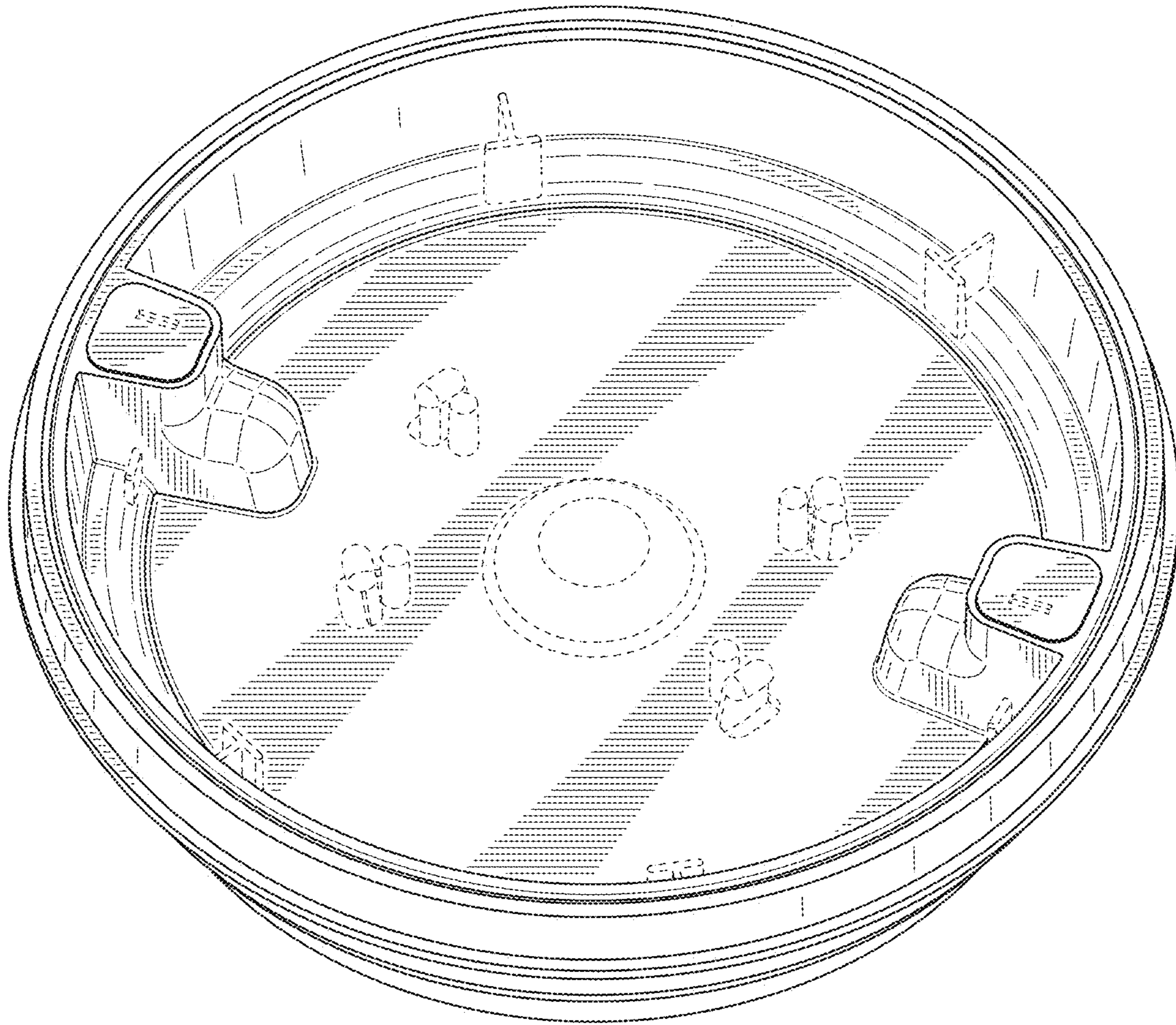
U.S. PATENT DOCUMENTS

2015/0343349 A1\* 12/2015 Wells ..... B01D 29/52  
210/232  
2016/0069039 A1\* 3/2016 Johnson ..... H04Q 9/00  
49/70  
2021/0254321 A1\* 8/2021 Ritger ..... E03C 1/22  
2021/0285248 A1\* 9/2021 McCutchen ..... E04H 4/1263

FOREIGN PATENT DOCUMENTS

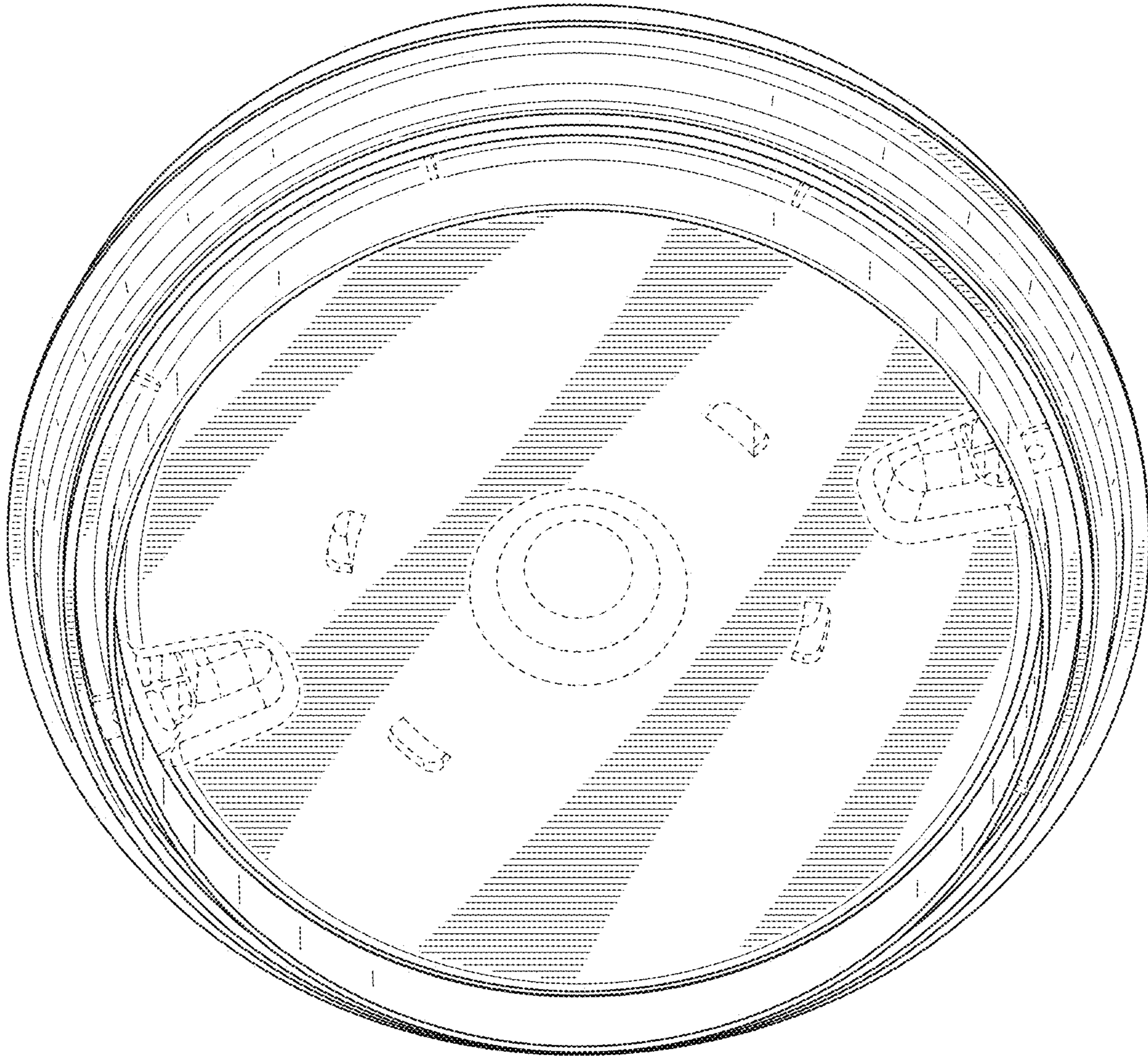
KR 3020070043989 \* 6/2008  
KR 3020170003871 \* 11/2017  
KR 3020190012395 \* 4/2019

\* cited by examiner

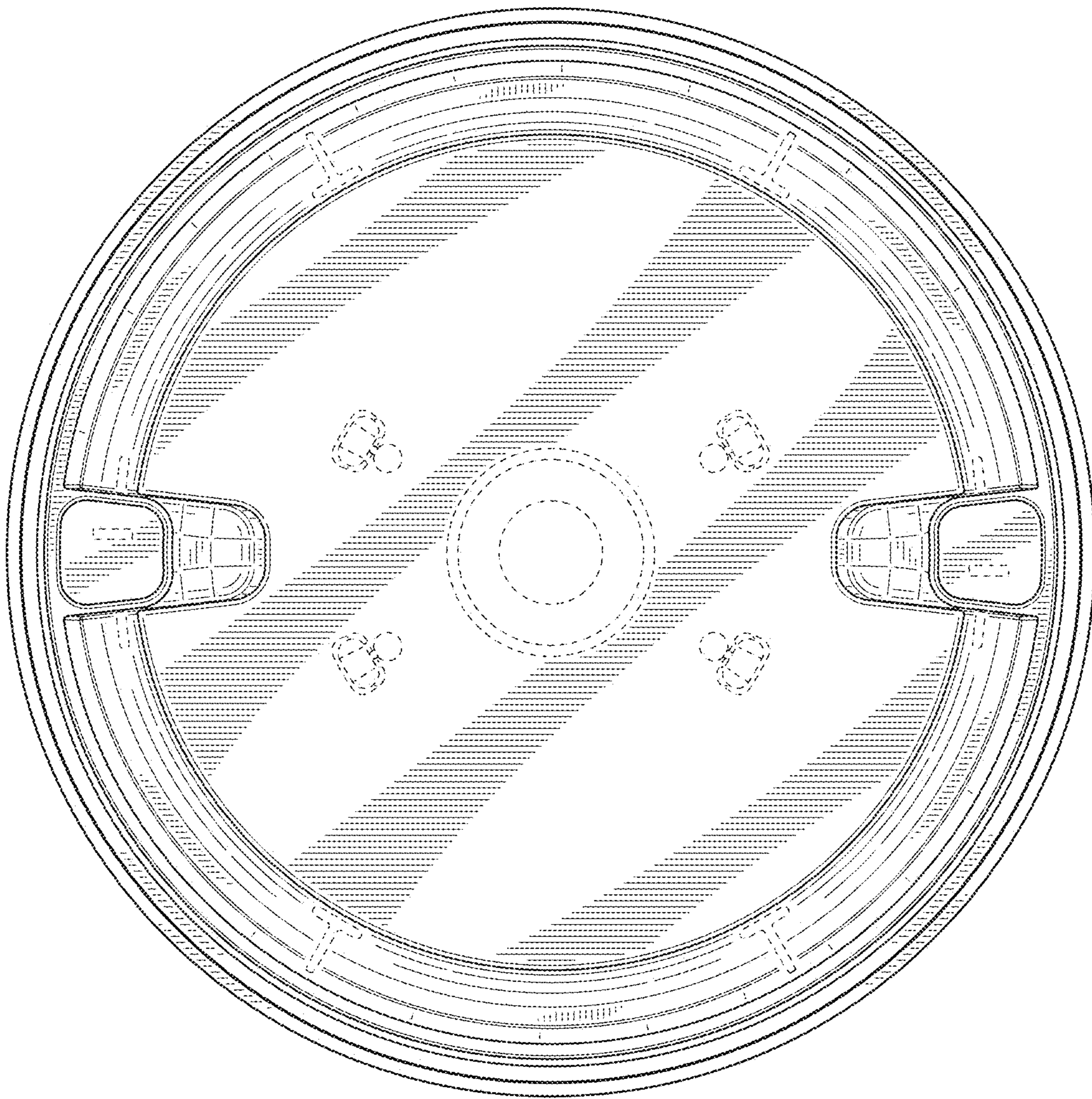


*FIG. 1*

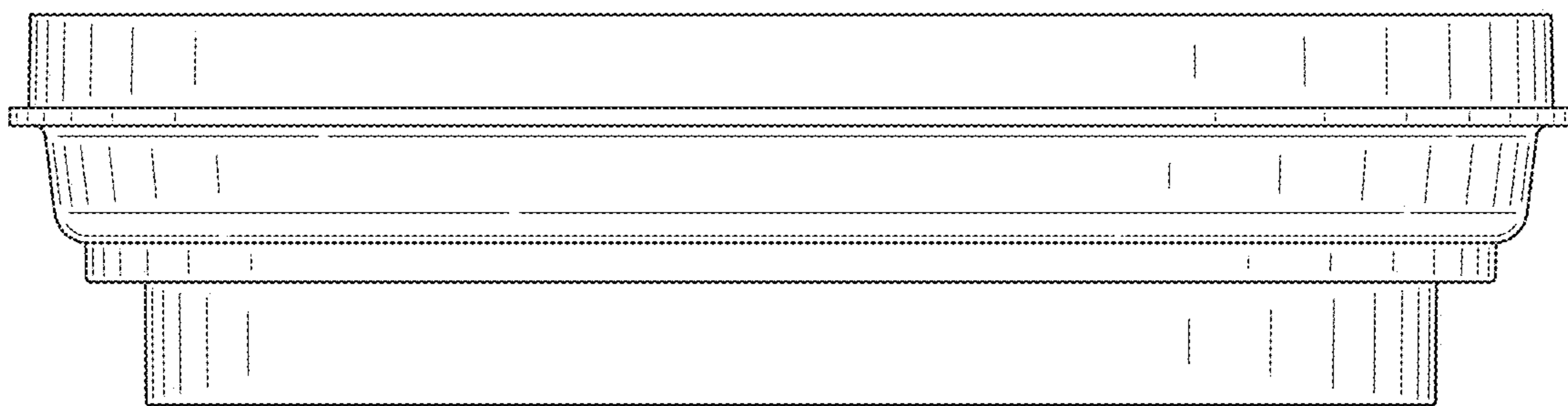




*FIG. 2*

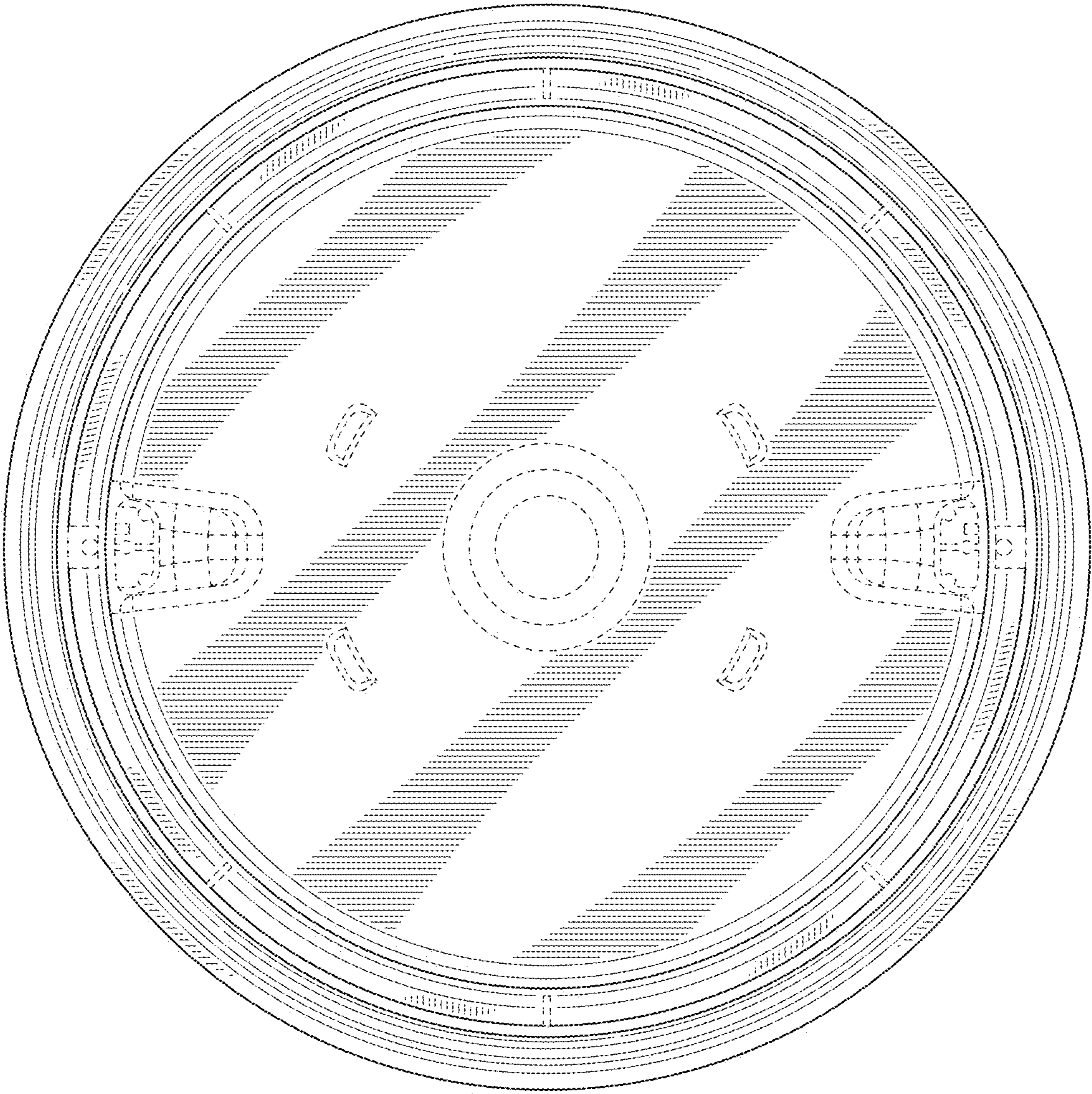


*FIG. 3*



*FIG. 4*





*FIG. 5*