



US00D958929S

(12) **United States Design Patent** (10) **Patent No.:** **US D958,929 S**
Baeten et al. (45) **Date of Patent:** **** Jul. 26, 2022**

(54) **MINIMAL WASTE DISPENSING TIP**
(71) Applicant: **Inter-Med, Inc.**, Racine, WI (US)
(72) Inventors: **John Baeten**, Muskego, WI (US);
Alexander D. Johnson, Mount Pleasant, WI (US)
(73) Assignee: **Inter-Med, Inc.**, Racine, WI (US)

D749,693 S * 2/2016 Evans D23/213
D752,177 S * 3/2016 Enomoto D23/207
D806,831 S * 1/2018 Zou D23/209
D846,070 S * 4/2019 Zou D23/209
D900,277 S * 10/2020 Albino D23/207
D926,922 S * 8/2021 Arenson D23/213
D926,923 S * 8/2021 Ross D23/213
D933,160 S * 10/2021 Ross D23/213

(Continued)

(**) Term: **15 Years**

(21) Appl. No.: **29/692,825**

(22) Filed: **May 29, 2019**

(51) **LOC (13) Cl.** **23-01**

(52) **U.S. Cl.**
USPC **D23/209**

(58) **Field of Classification Search**
USPC D23/213, 214, 215, 222, 223, 224, 226,
D23/229, 230
CPC A61H 9/0021; A61H 33/00; B05B 1/00;
B05B 1/14; B05B 1/185; B05B 1/08;
B05B 1/02; B05B 1/26; B05B 12/002;
B05B 1/18; B05B 9/01
See application file for complete search history.

(56) **References Cited**

U.S. PATENT DOCUMENTS

4,392,617 A * 7/1983 Bakos B05B 7/0081
239/290
D326,273 S * 5/1992 Nakao D15/144.1
D366,051 S * 1/1996 Lewis D15/138
D433,692 S * 11/2000 Fort D15/144.1
D434,053 S * 11/2000 Fort D15/144.1
7,128,283 B1 * 10/2006 Shahin B05B 1/042
239/600
D636,844 S * 4/2011 Herre D23/213
8,079,534 B2 * 12/2011 Fecht B21B 45/0233
239/599
D717,396 S * 11/2014 Hammarback D23/209

OTHER PUBLICATIONS

Syringe Adaptor/Coupler—Luer Lock , Oct. 30, 2019, amazon.ca, Mar. 2, 2022, URL: <https://www.amazon.ca/Syringe-Adaptor-Coupler-Polypropylene-Transfer/dp/B01KY6X6CS/> (Year: 2019).*

(Continued)

Primary Examiner — Keith J Wilson

(74) Attorney, Agent, or Firm — Barnes & Thornburg LLP; Ryan L. Marshall

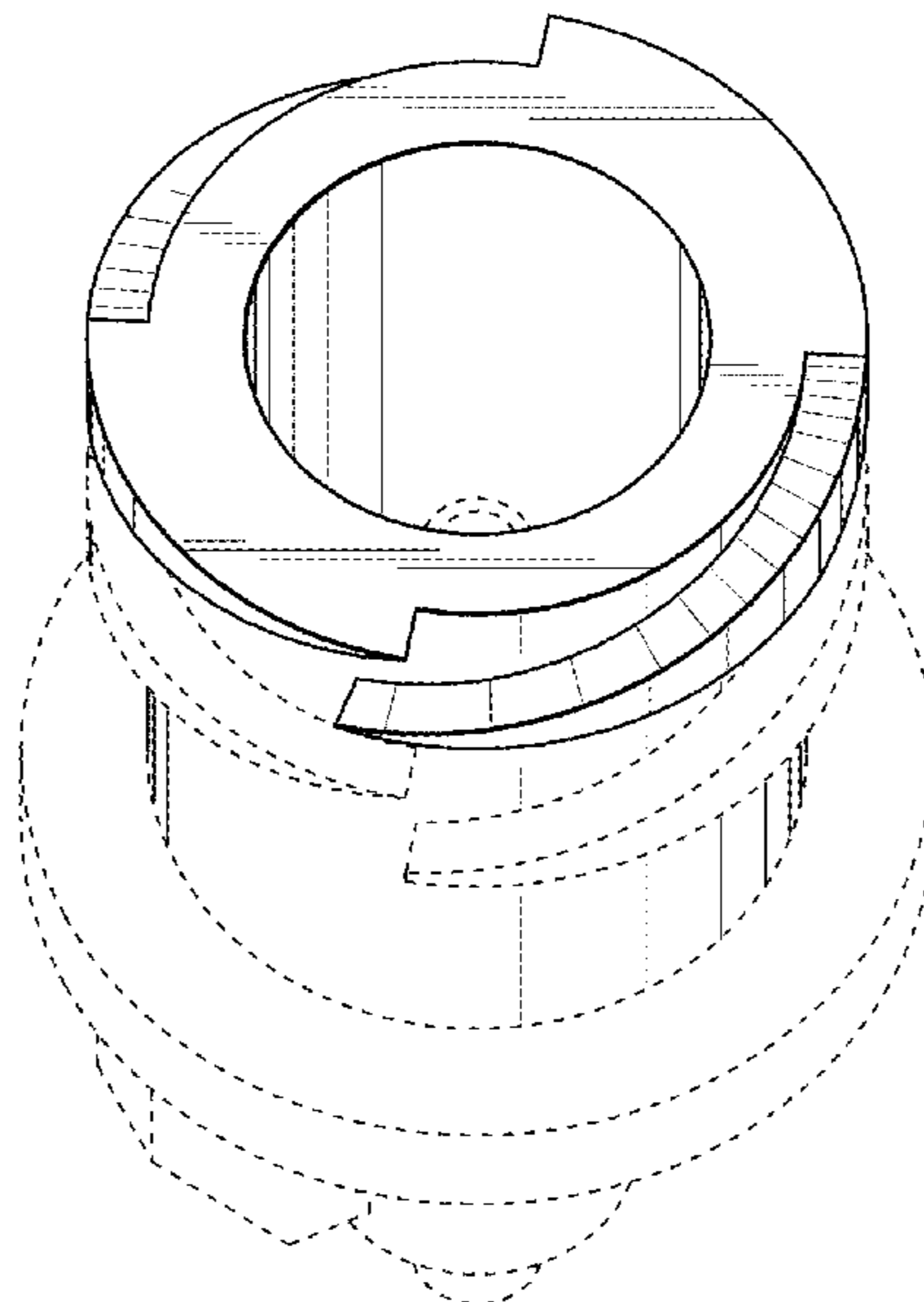
(57) **CLAIM**

We claim the ornamental design for a minimal waste dispensing tip, as shown and described.

DESCRIPTION

FIG. 1 is a top perspective view of a minimal waste dispensing tip;
FIG. 2 is a front elevation view thereof, where a rear elevation view is identical to the front elevation view;
FIG. 3 is a left side elevation view thereof, where a right side elevation view is identical to the left side elevation view;
FIG. 4 is top-to-bottom section view thereof, taken along line 18-18 of FIG. 2;
FIG. 5 is a top plan view thereof;
FIG. 6 is a bottom plan view thereof; and,
FIG. 7 is a bottom perspective view thereof.
The broken lines illustrate boundaries that form no part of the claimed design.

1 Claim, 6 Drawing Sheets



(56)

References Cited

U.S. PATENT DOCUMENTS

D934,991 S * 11/2021 Amano D23/213
 D943,061 S * 2/2022 McIntyre, II F02C 7/222
 D23/214
 D943,708 S * 2/2022 Eshelman D23/213
 D946,696 S * 3/2022 Swiatek D23/207
 11,313,501 B2 * 4/2022 Chen B05B 15/65
 2012/0255890 A1 * 10/2012 Cumberland C02F 1/003
 210/232
 2013/0140225 A1 * 6/2013 Decock B65D 47/2087
 210/321.6
 2015/0202637 A1 * 7/2015 Nikles F03B 13/10
 239/71
 2022/0040712 A1 * 2/2022 Erickson B05B 1/12
 2022/0040713 A1 * 2/2022 Mock B05B 15/65
 2022/0065374 A1 * 3/2022 Xie F16L 37/123
 2022/0072567 A1 * 3/2022 Kuo B05B 1/14

OTHER PUBLICATIONS

Premium Quality Quick Connect Connectors & Adopters Set of 5
 Pcs—1, Jul. 14, 2015, amazon.ca, Mar. 2, 2022, URL: <https://www.amazon.ca/Premium-Quality-Connect-Connectors-Adopters/dp/B0745VSW12/> (Year: 2015).*

Litorange 2 PCS Lead-Free Brass Winterize Sprinkler Systems: Air
 Compressor ¼" Quick Connect Plug, Jan. 30, 2019, amazon.ca,
 May 20, 2022, URL: <https://www.amazon.ca/dp/B07KWZHM8B/>
 (Year: 2019).*

Iwata-Medea—Kustom Fluid Nozzle 0.5Mm, May 18, 2016, amazon.
 ca, May 20, 2022, URL: <https://www.amazon.ca/Iwata-Medea-Iwata-Nozzle-Hp-Th/dp/B00A6WFIUY/> (Year: 2016).*

* cited by examiner

FIG. 1

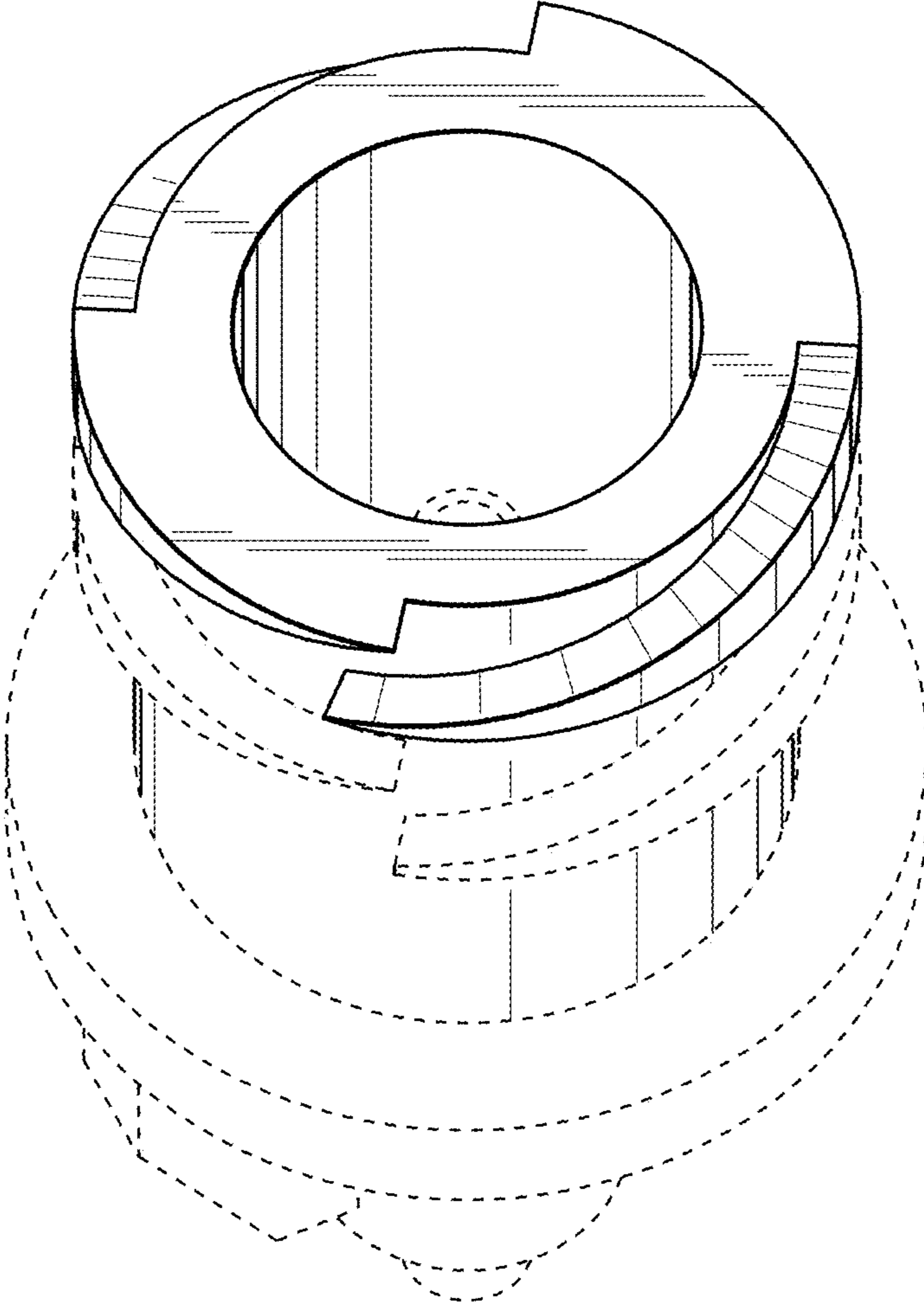


FIG. 2

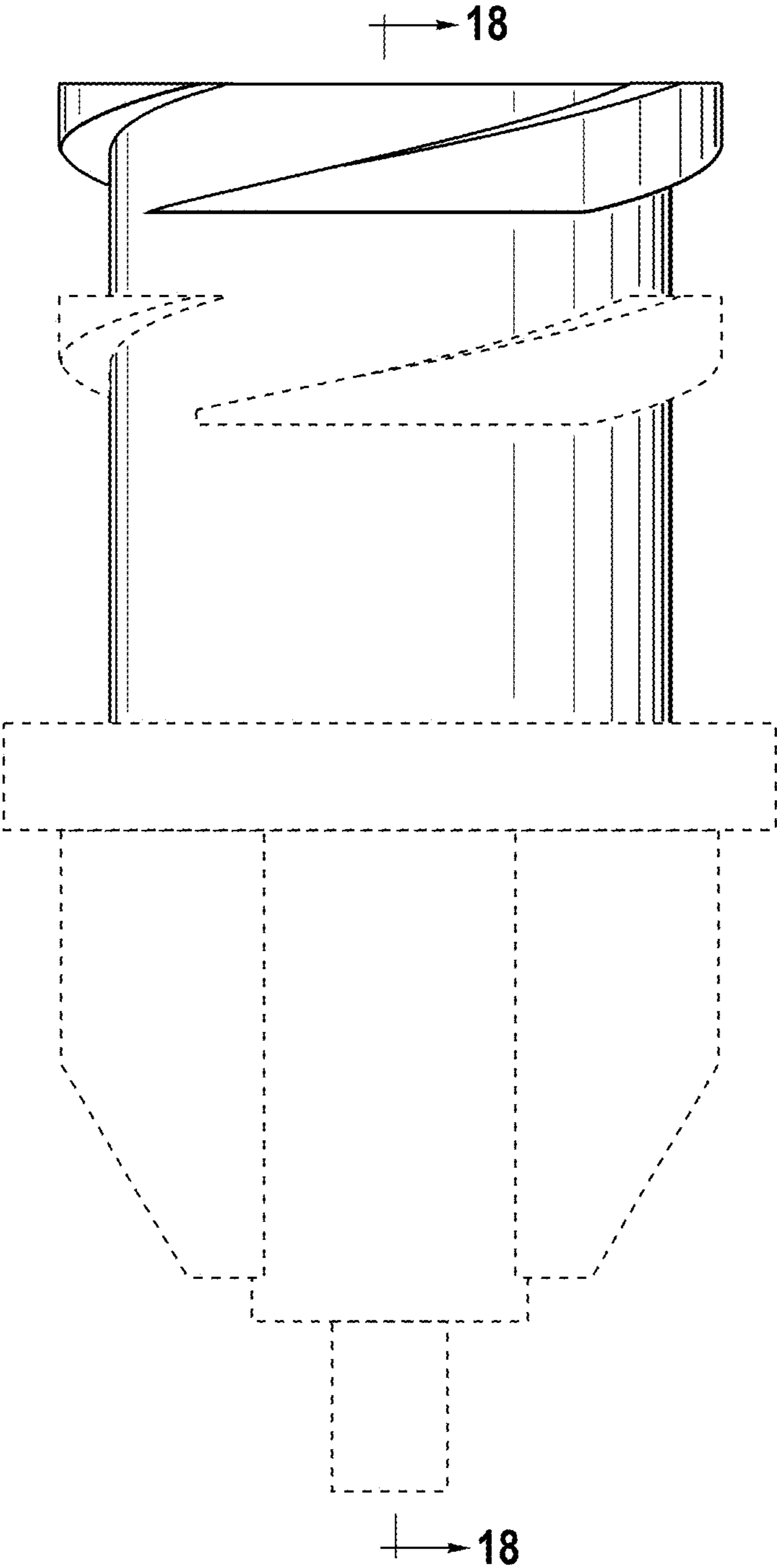


FIG. 3

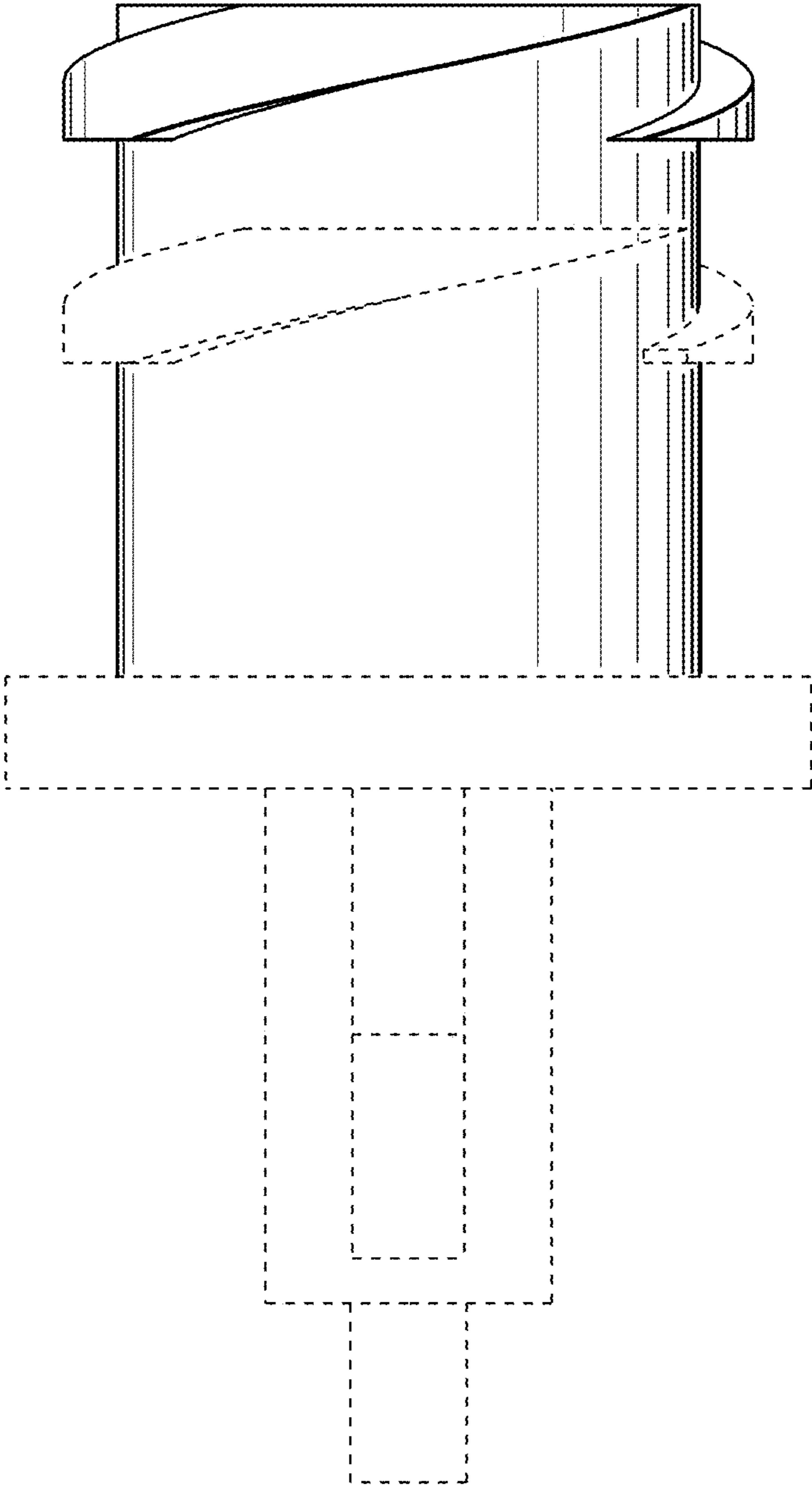


FIG. 4

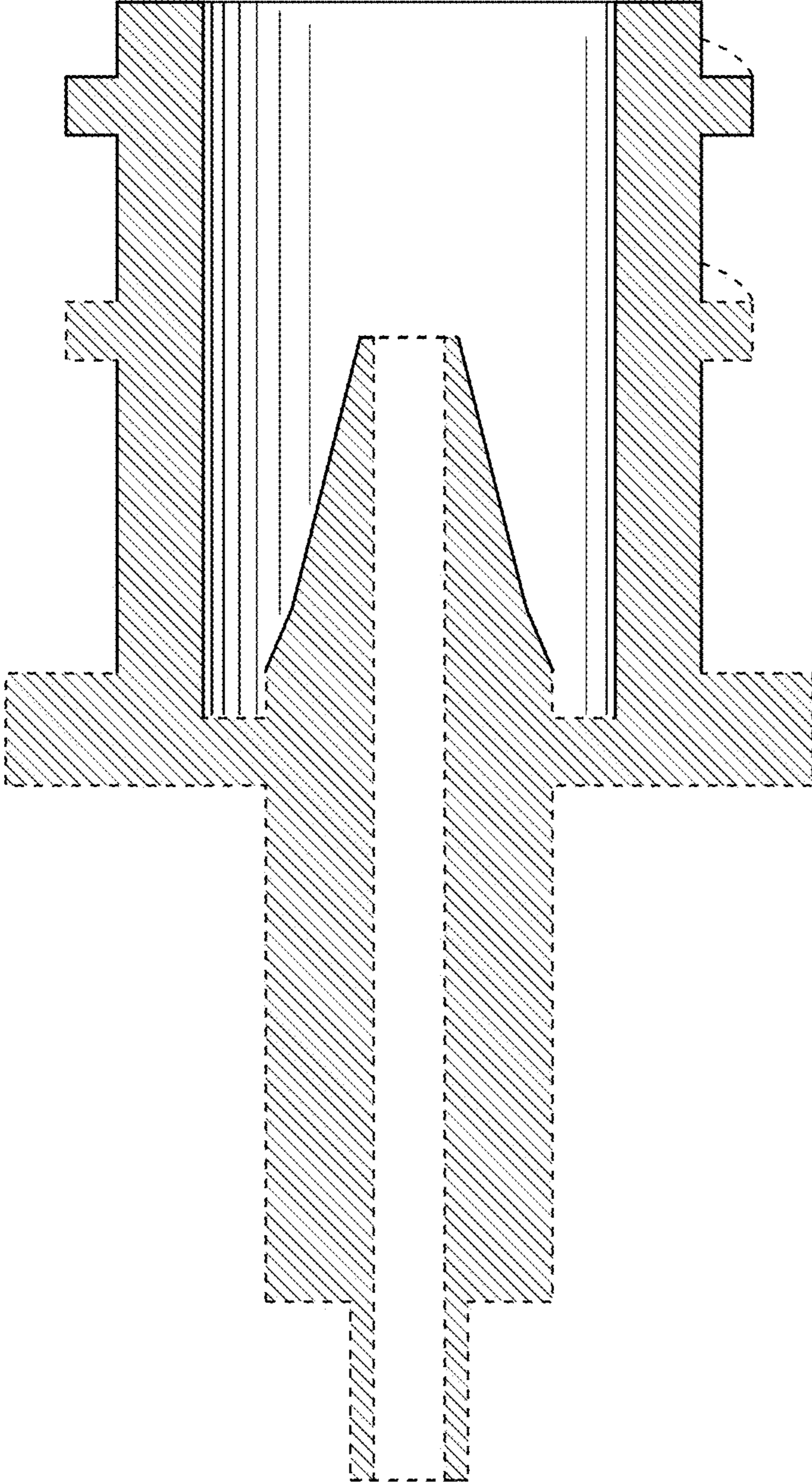


FIG. 5

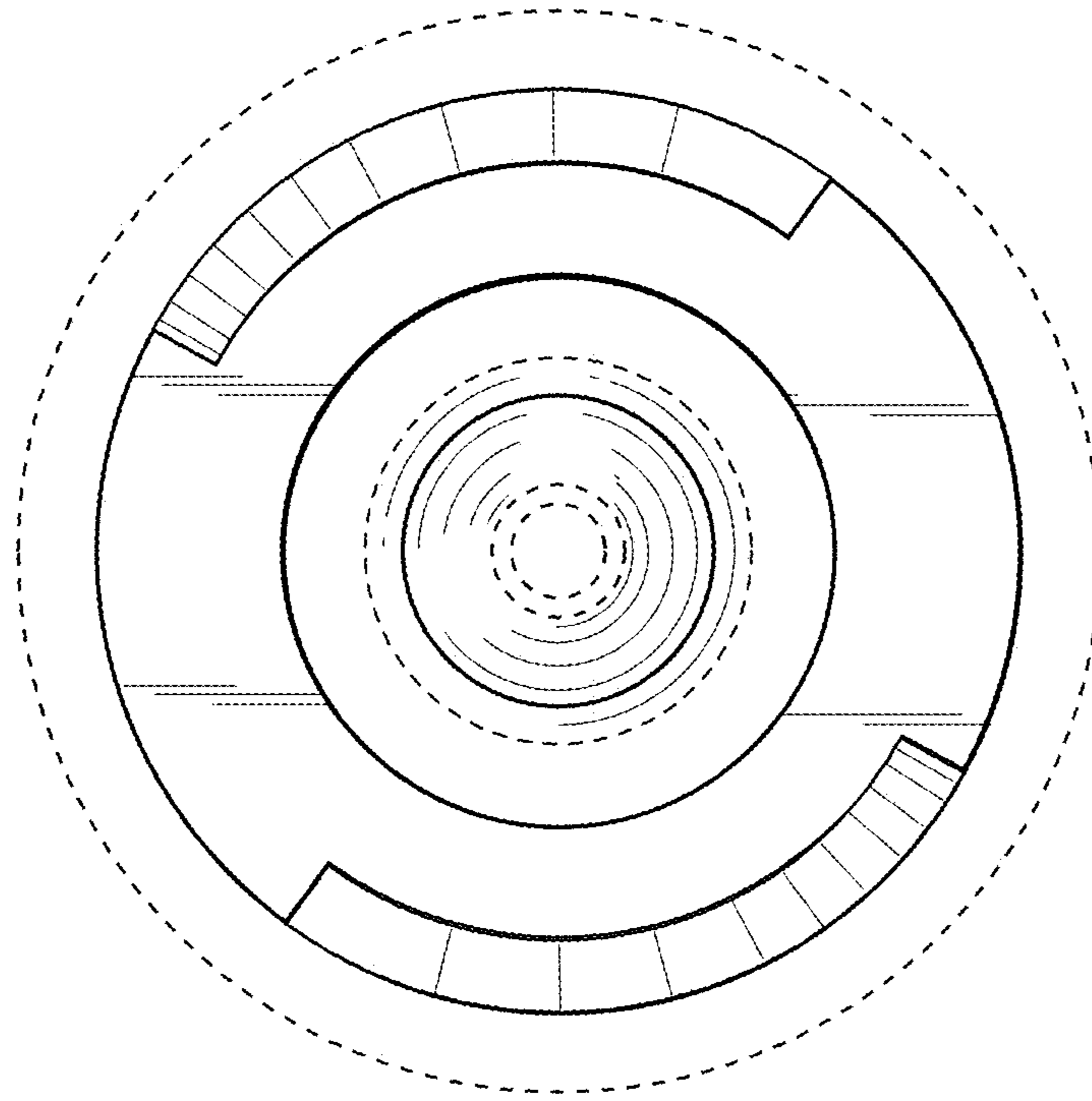


FIG. 6

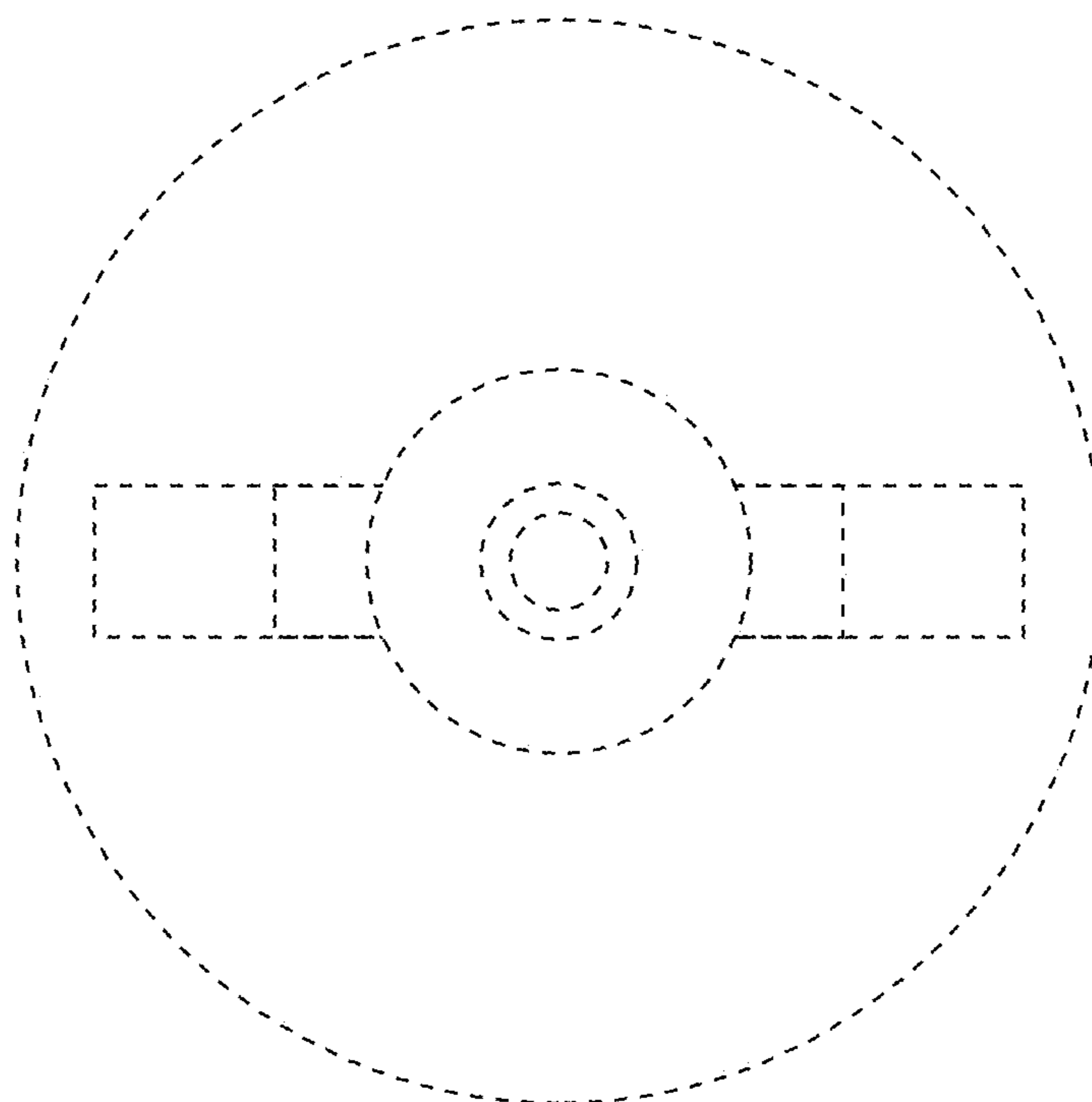


FIG. 7

