



US00D958923S

(12) **United States Design Patent**
Qiu

(10) **Patent No.:** **US D958,923 S**

(45) **Date of Patent:** **** Jul. 26, 2022**

(54) **INFLATABLE POOL**

(71) Applicant: **Chaoming Qiu**, Jieyang (CN)

(72) Inventor: **Chaoming Qiu**, Jieyang (CN)

(**) Term: **15 Years**

(21) Appl. No.: **29/759,992**

(22) Filed: **Nov. 27, 2020**

(51) **LOC (13) Cl.** **21-03**

(52) **U.S. Cl.**
USPC **D21/815**

(58) **Field of Classification Search**
USPC D21/811, 818, 819, 832, 835, 814, 815,
D21/816, 584, 438, 542, 547
See application file for complete search history.

(56) **References Cited**

U.S. PATENT DOCUMENTS

2,529,872	A *	11/1950	Hasselquist	E04H 4/0025
					472/126
4,820,411	A *	4/1989	Lempio	E04H 4/1263
					210/167.2
D404,457	S *	1/1999	Peterson	D21/815
D409,707	S *	5/1999	Peterson	D21/815
5,924,144	A *	7/1999	Peterson	E04H 4/0025
					4/488
5,946,744	A *	9/1999	Peterson	E04H 4/0025
					4/588
D478,956	S *	8/2003	Feuer	D21/815
9,869,104	B2 *	1/2018	Capps	E04H 4/14
D907,154	S *	1/2021	Engler	D21/803
D947,309	S *	3/2022	Hsu	D21/815
2003/0019024	A1 *	1/2003	Tompkins	E04H 4/0025
					4/506
2009/0151647	A1 *	6/2009	Burrows	A01K 1/0218
					119/515
2011/0225719	A1 *	9/2011	Tong	E04H 4/0025
					4/506
2011/0306432	A1 *	12/2011	Cammarano	A63J 21/00
					472/57

OTHER PUBLICATIONS

Ibase toy store, announced 2020[online], [site visited May 31, 2022]. Available on internet, URL:https://www.amazon.com/dp/B085QJL4V1/ref (Year: 2020).*

* cited by examiner

Primary Examiner — Khawaja Anwar

Assistant Examiner — Julice Seung Eun Oum

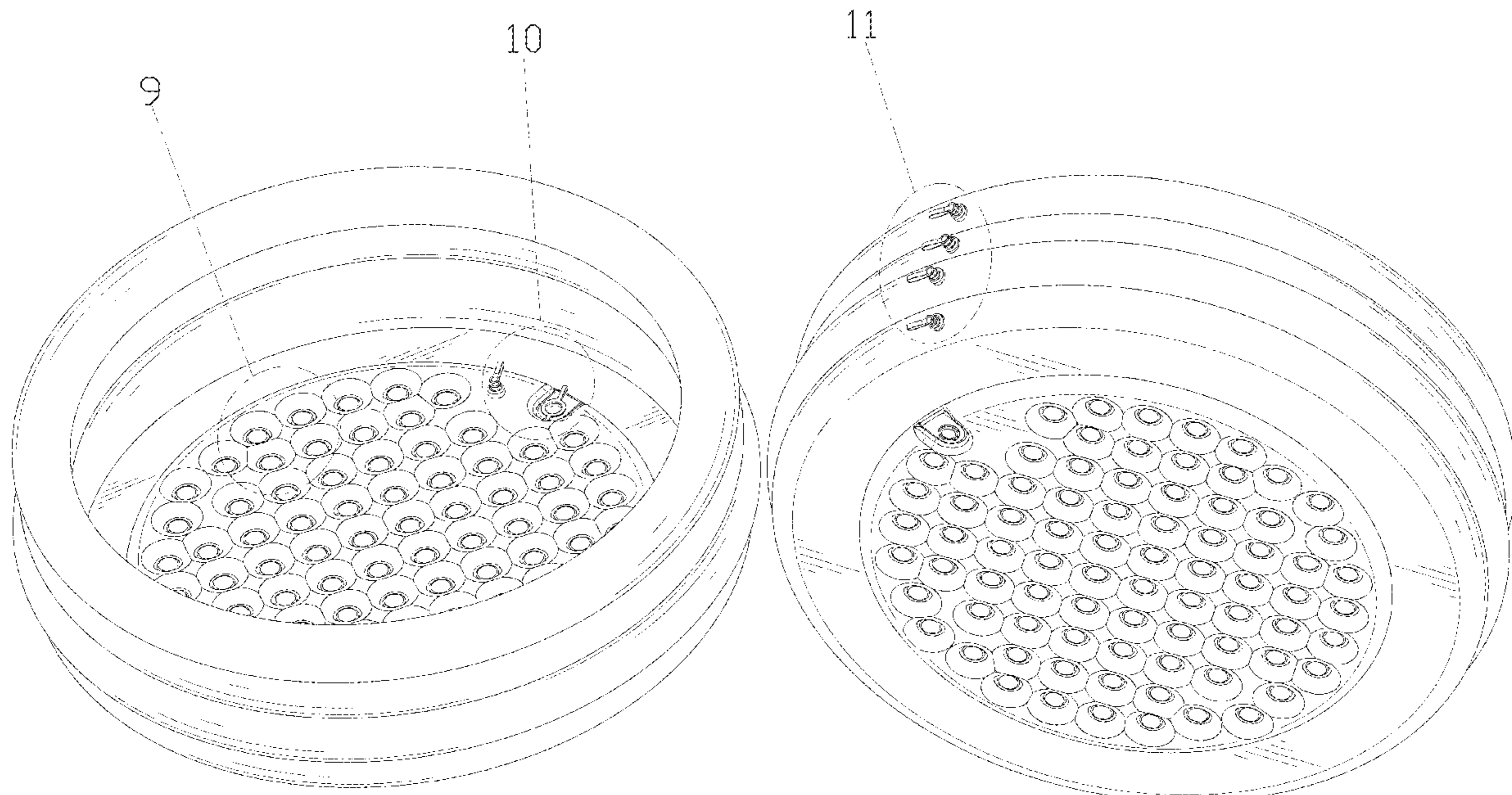
(57) **CLAIM**

The ornamental design for an inflatable pool, as shown and described.

DESCRIPTION

FIG. 1 is a perspective view of an inflatable pool showing my new design;
FIG. 2 is another perspective view thereof;
FIG. 3 is a front elevational view thereof;
FIG. 4 is a rear elevational view thereof;
FIG. 5 is a left side elevational view thereof;
FIG. 6 is a right side elevational view thereof;
FIG. 7 is a top plan view thereof;
FIG. 8 is a bottom plan view thereof;
FIG. 9 is an enlarged view of portion 9 shown in FIG. 1;
FIG. 10 is an enlarged view of portion 10 shown in FIG. 1;
and,
FIG. 11 is an enlarged view of portion 11 shown in FIG. 2.
The broken lines in the drawings depict portions of the inflatable pool that form no part of the claimed design.

1 Claim, 11 Drawing Sheets



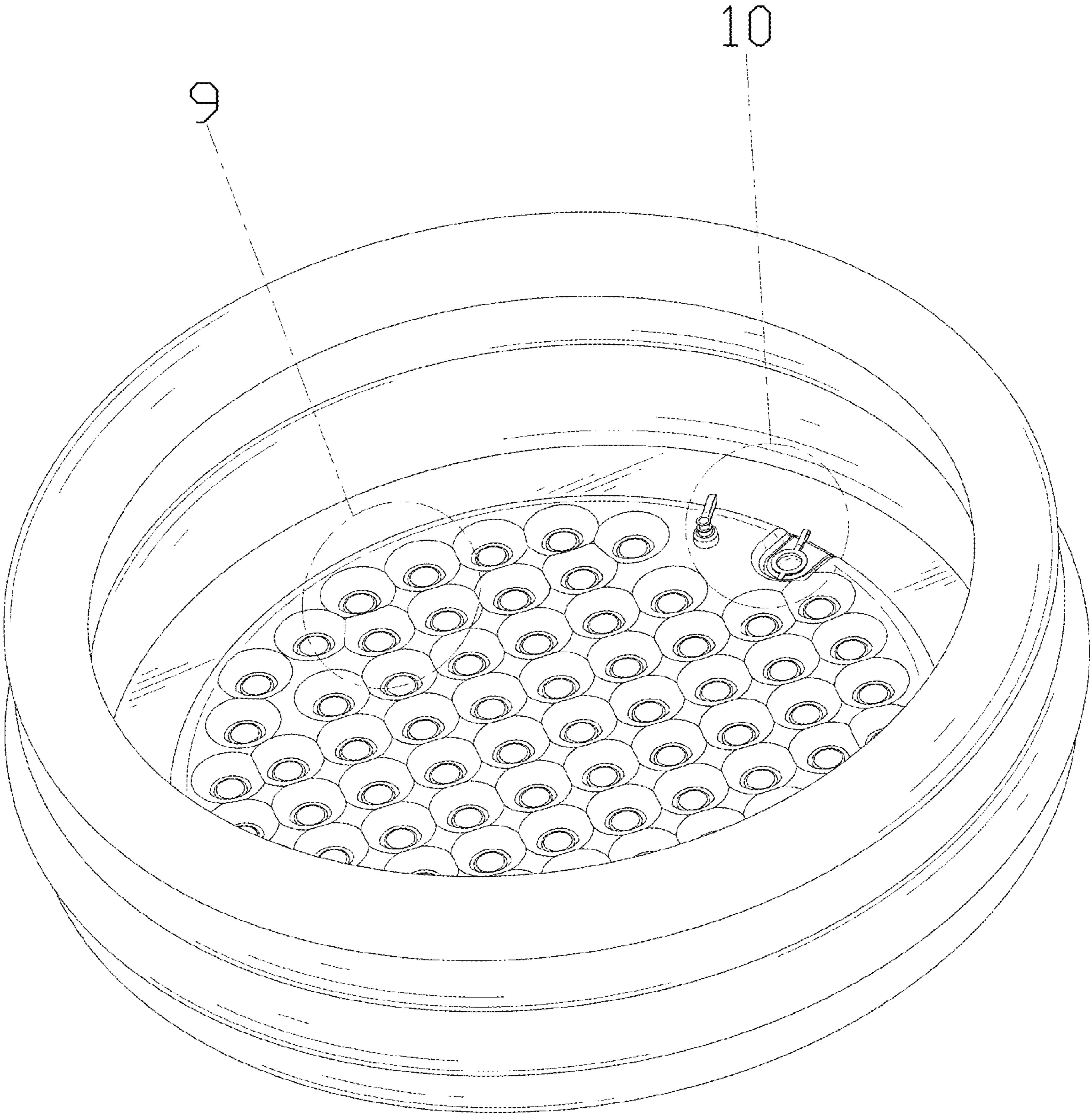


FIG. 1

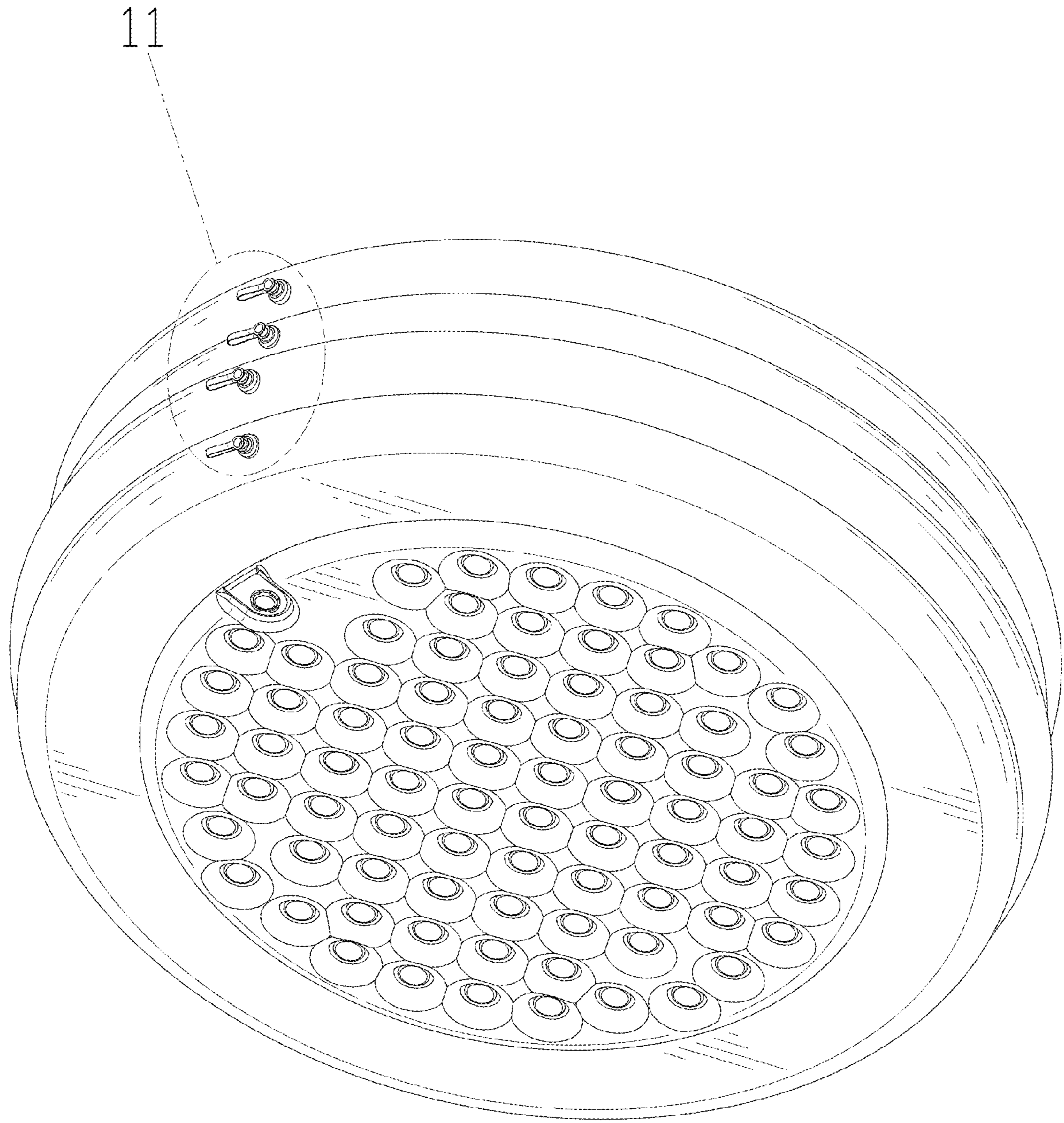


FIG. 2

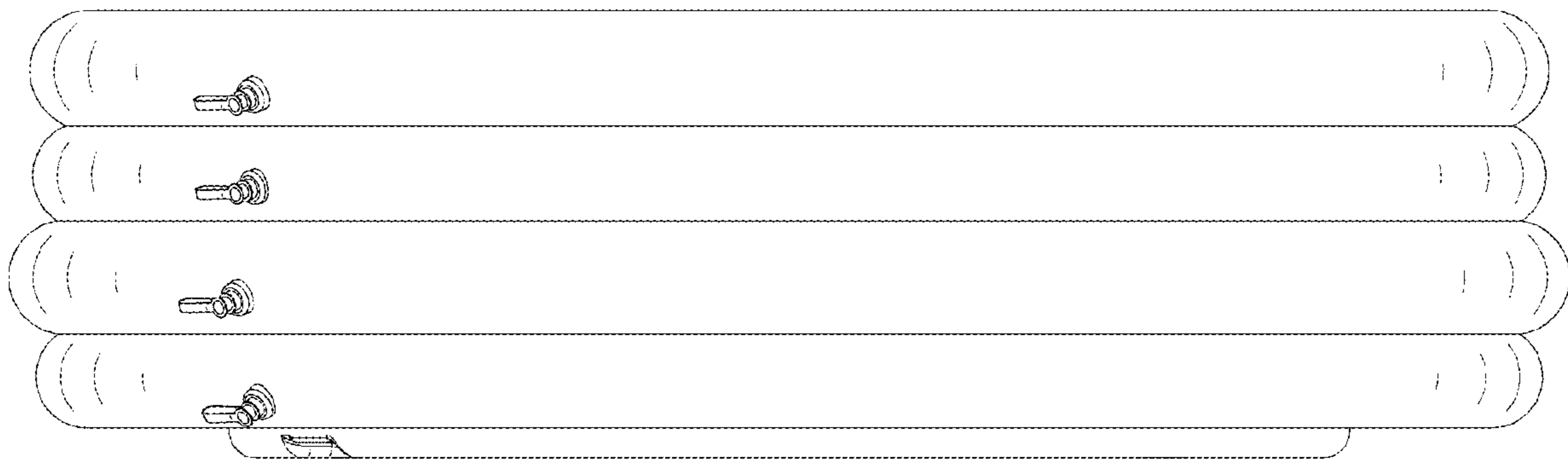


FIG. 3



FIG. 4

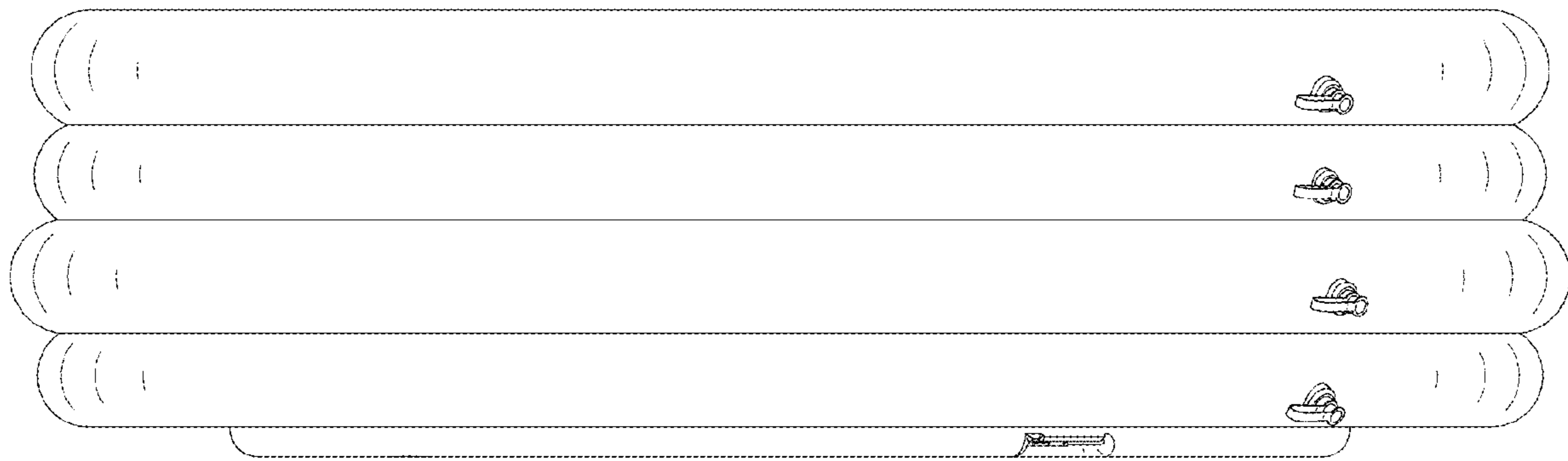


FIG. 5

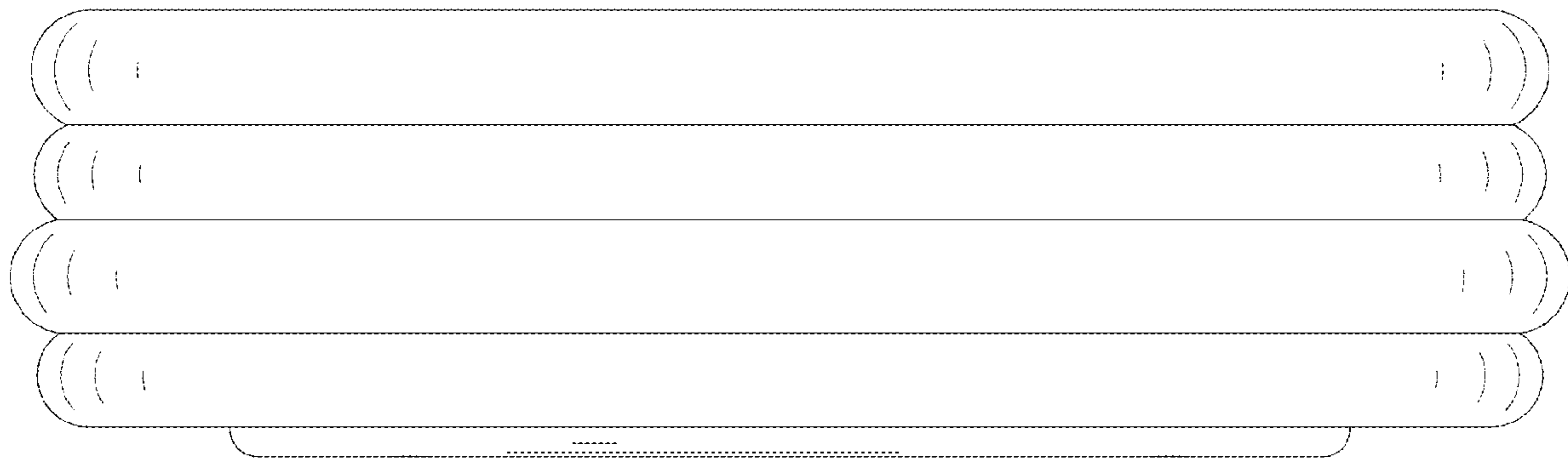


FIG. 6

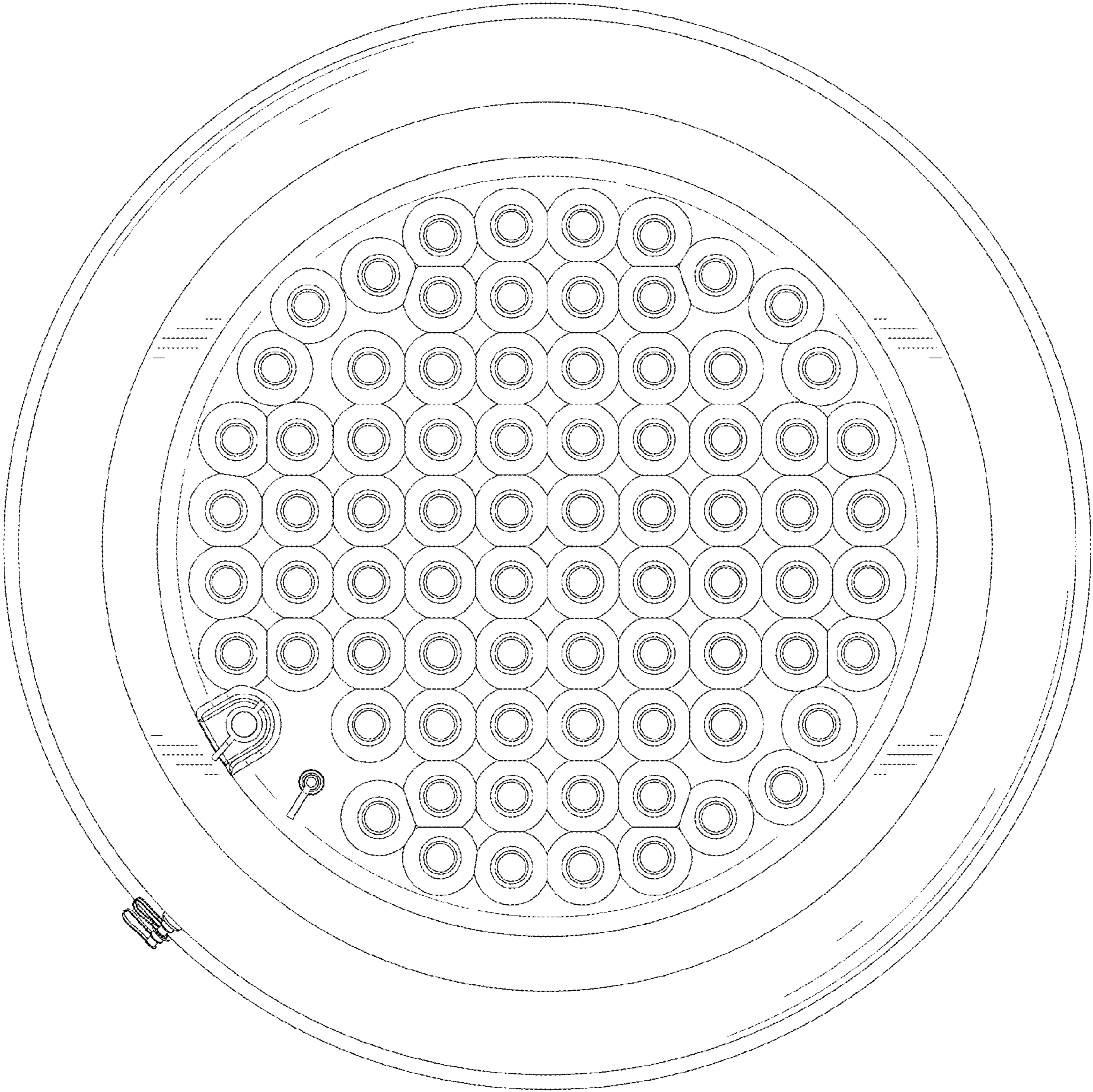


FIG. 7

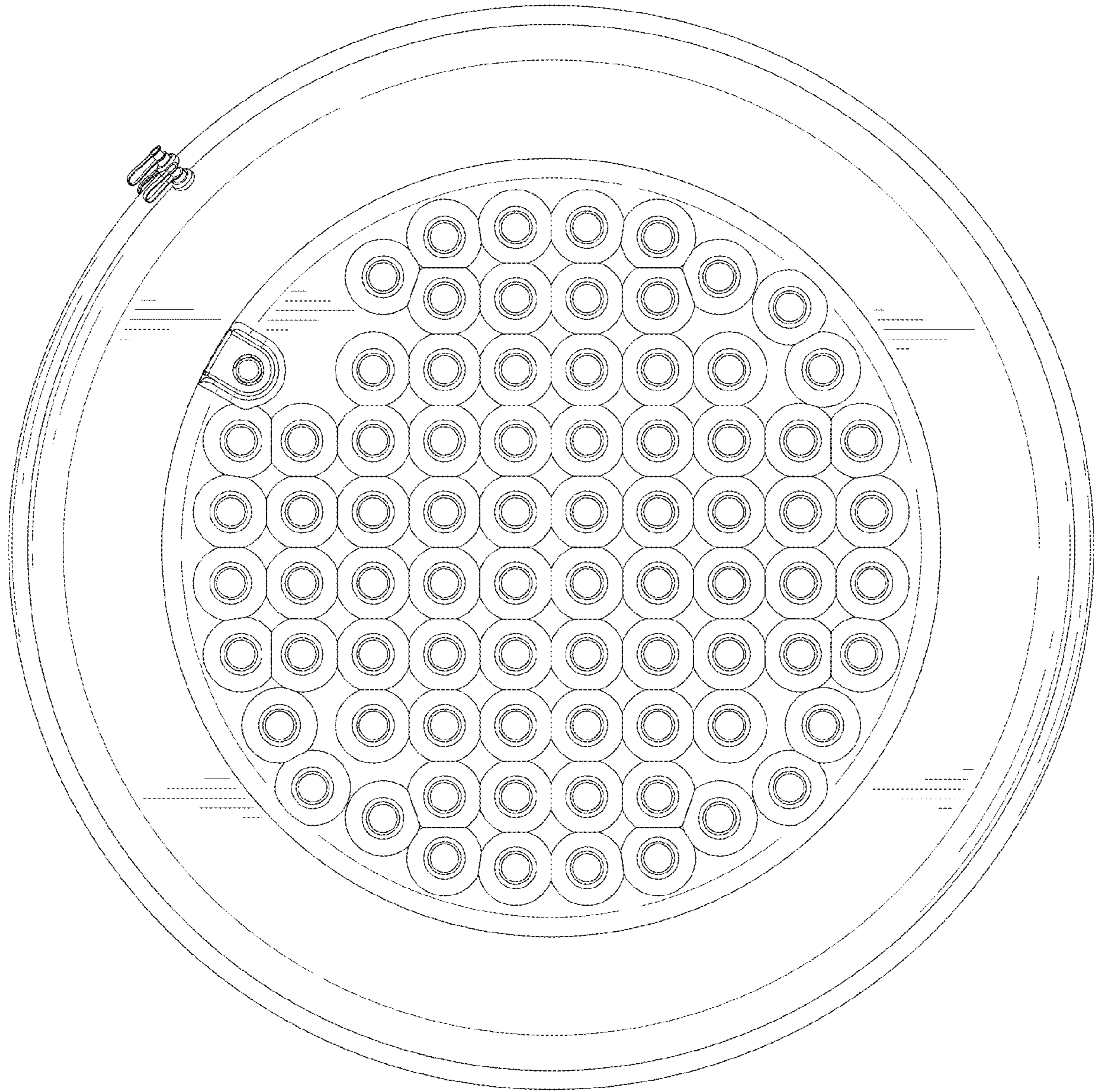


FIG. 8

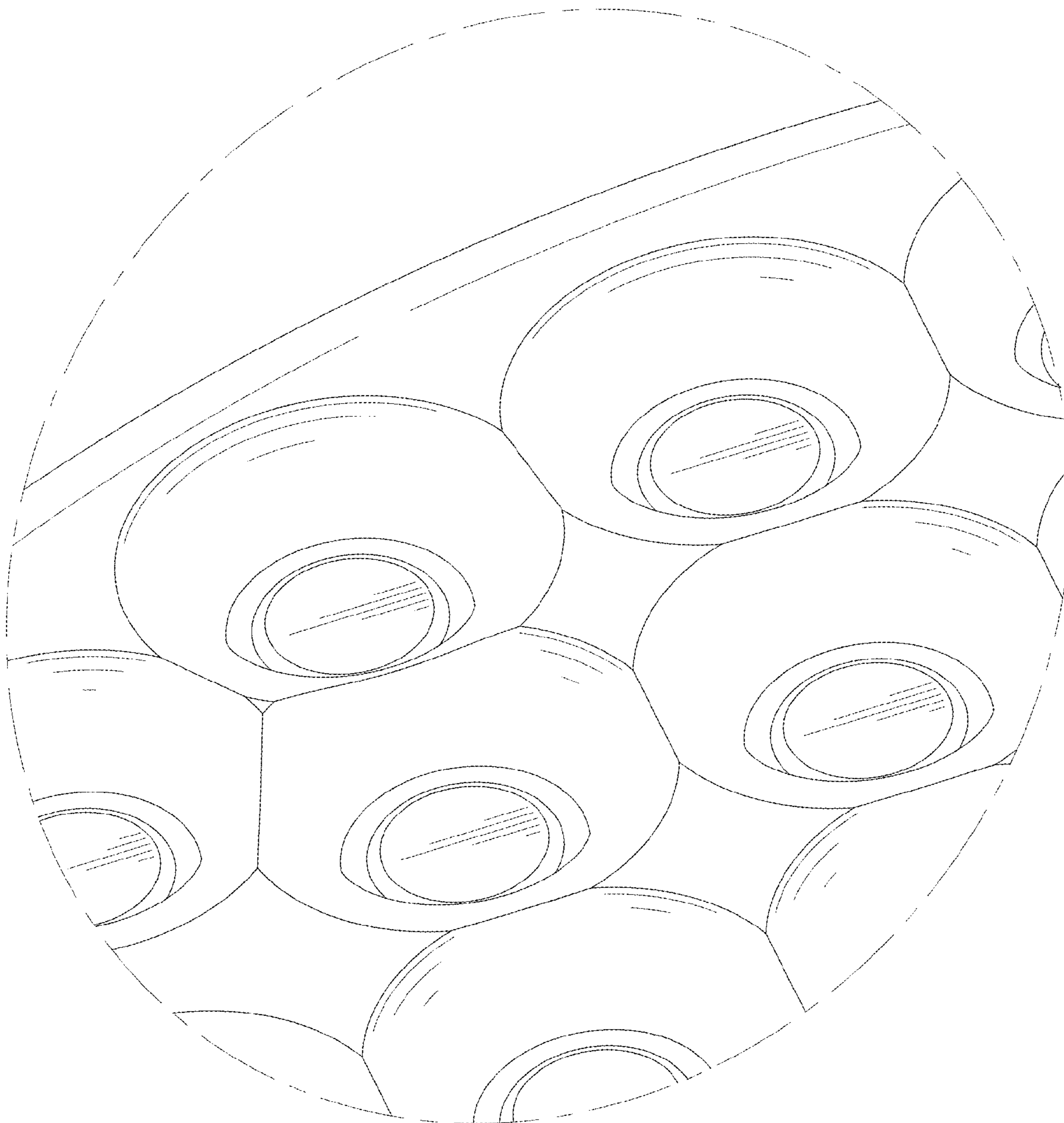


FIG. 9

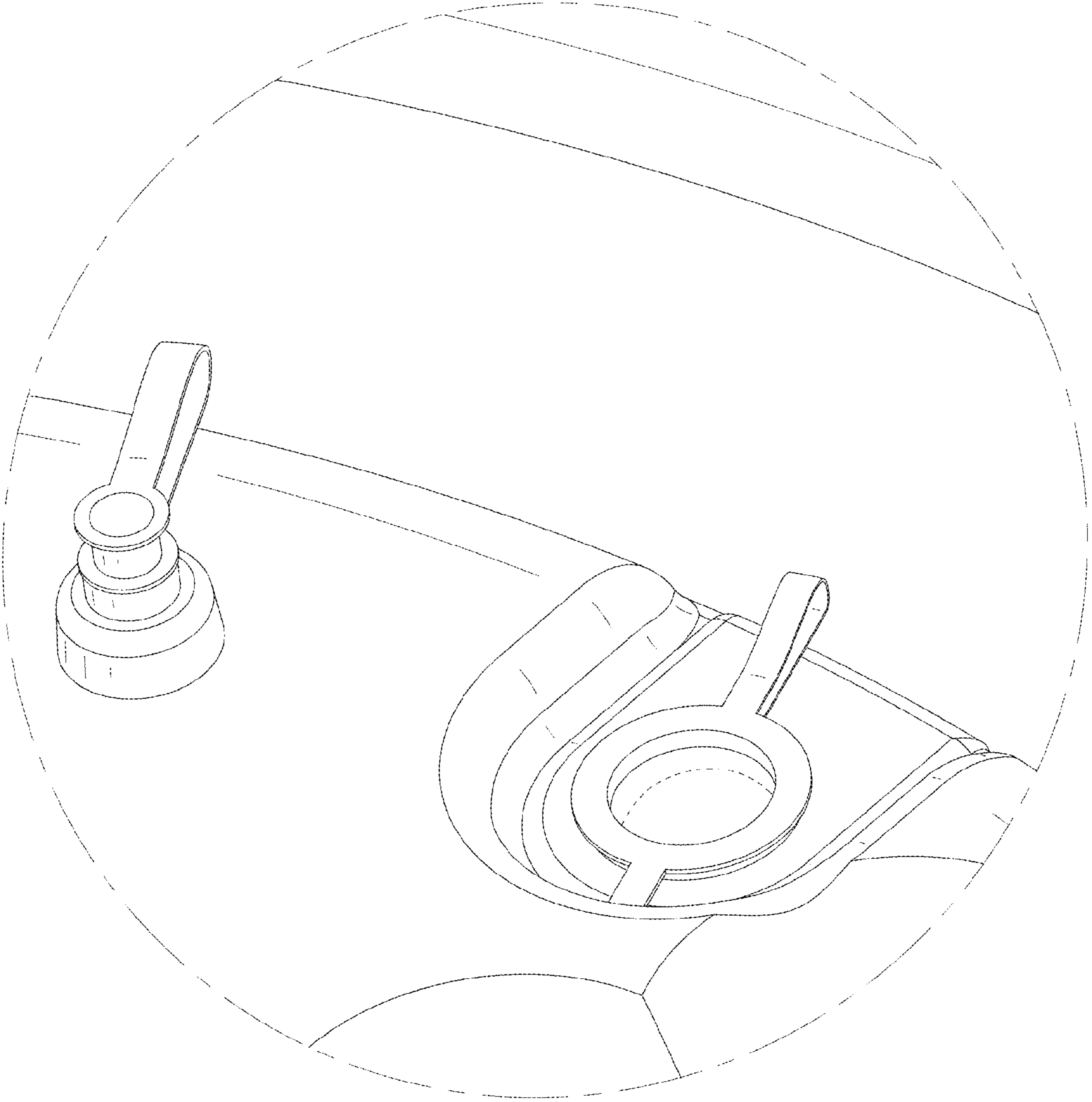


FIG. 10

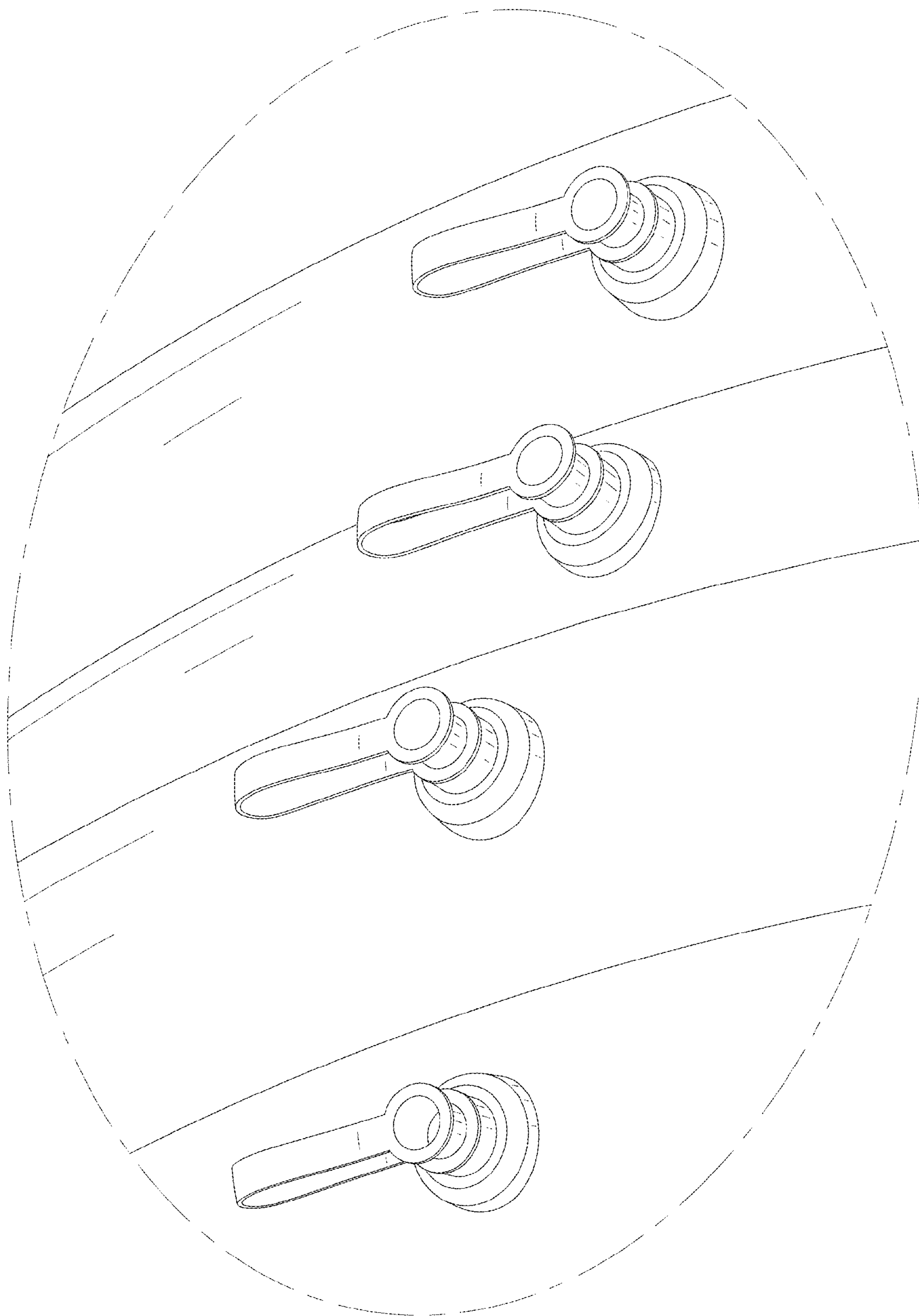


FIG. 11