



US00D958921S

(12) **United States Design Patent** (10) **Patent No.:** **US D958,921 S**  
**Borsányi et al.** (45) **Date of Patent:** **\*\* Jul. 26, 2022**

(54) <b>BALL GAME TABLE</b>	8,091,490 B2 * 1/2012 Branch ..... A47B 3/087 108/169
(71) Applicant: <b>Teqball Holding SARL</b> , Luxembourg (LU)	D713,894 S * 9/2014 Lopez ..... D21/397 D754,797 S * 4/2016 Fissell ..... D21/397 9,675,860 B2 * 6/2017 Borsanyi ..... A63B 61/003 9,763,513 B2 * 9/2017 Cai ..... A47B 3/087
(72) Inventors: <b>Gábor Borsányi</b> , Budapest (HU); <b>Viktor Dénes Huszár</b> , Budapest (HU); <b>György Zoltán Gattyán</b> , Budapest (HU)	D809,070 S * 1/2018 Fissell ..... D21/397 D823,965 S * 7/2018 Huszar ..... D21/799.2 D836,726 S * 12/2018 Wasserman ..... D21/397 D844,353 S * 4/2019 Horowitz ..... D6/686 D854,622 S * 7/2019 Fissell ..... D21/397 D867,798 S * 11/2019 Clegg ..... D6/707.2 D868,919 S * 12/2019 Huszar ..... D21/799.2 D910,765 S * 2/2021 Delgado ..... D21/397
(73) Assignee: <b>TEQBALL HOLDING S.À.R.L.</b> , Luxembourg (LU)	

(\*\*) Term: **15 Years**

\* cited by examiner

(21) Appl. No.: **35/511,222**

*Primary Examiner* — Joseph Kukella

(22) Filed: **Dec. 3, 2020**

(74) *Attorney, Agent, or Firm* — DLA Piper LLP (US)

(80) **Hague Agreement Data**

Int. Filing Date: **Dec. 3, 2020**  
Int. Reg. No.: **DM/212199**  
Int. Reg. Date: **Dec. 3, 2020**  
Int. Reg. Pub. Date: **Jan. 29, 2021**

(57) **CLAIM**

The ornamental design for game table, as shown and described.

(51) **LOC (13) Cl.** ..... **21-02**

**DESCRIPTION**

(52) **U.S. Cl.**  
USPC ..... **D21/799.2**

(58) **Field of Classification Search**  
USPC ..... D6/641, 656–656.19, 685, 688.1,  
D6/691–691.9; D21/334, 335, 363, 365,  
D21/385, 397, 522, 782, 783, 784  
CPC .... A47B 3/00–0918; A47B 9/00; A47B 9/003  
See application file for complete search history.

7.1-30.5 Ball game table

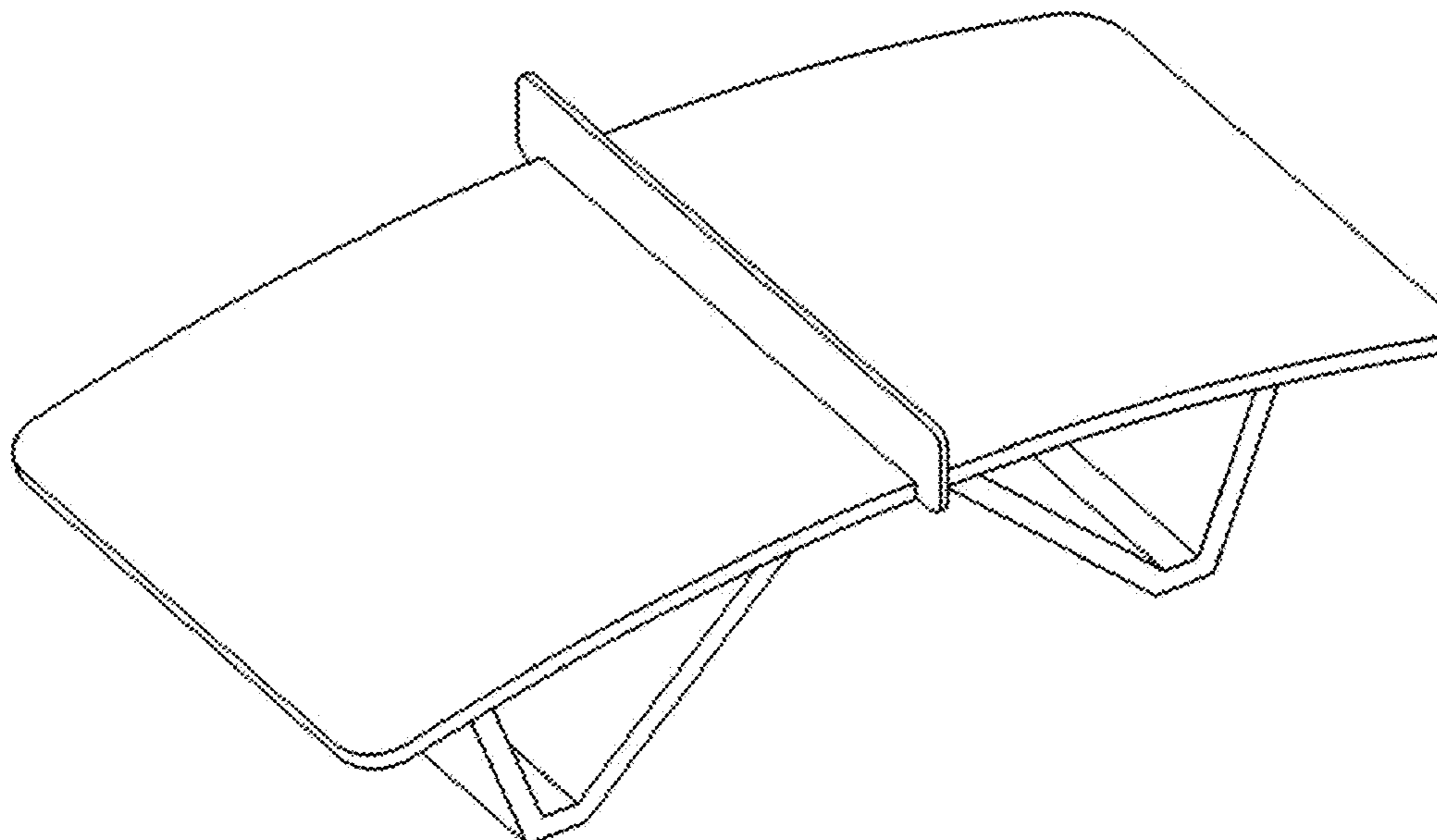
- 7.1 : Front
- 7.2 : Bottom
- 7.3 : Top
- 7.4 : Right
- 7.5 : Perspective
- 30.1 : Front
- 30.2 : Top
- 30.3 : Bottom
- 30.4 : Side
- 30.5 : Perspective

(56) **References Cited**

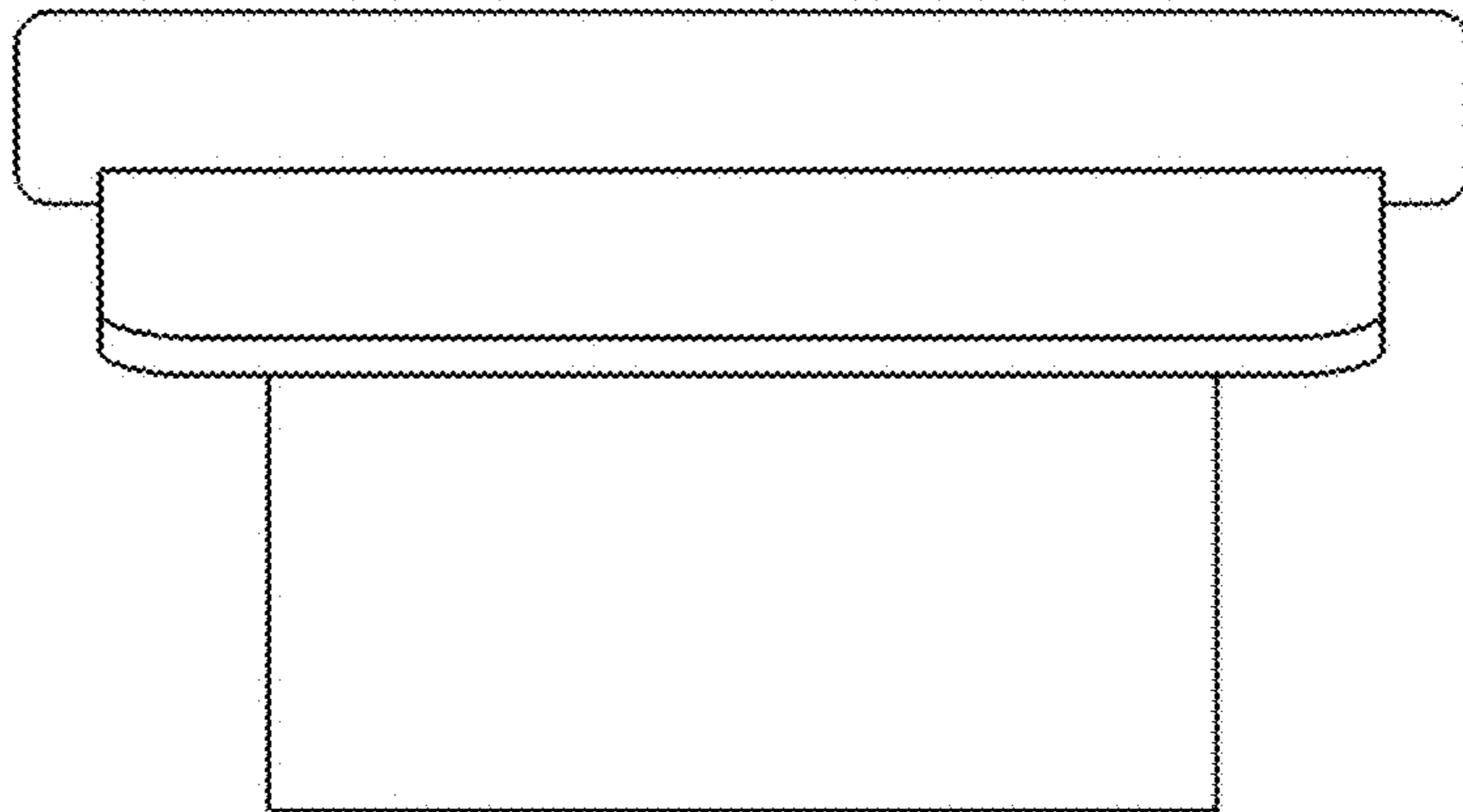
**U.S. PATENT DOCUMENTS**

D515,841 S \* 2/2006 Hsu ..... D6/691.6  
D538,355 S \* 3/2007 Tyson ..... D21/317

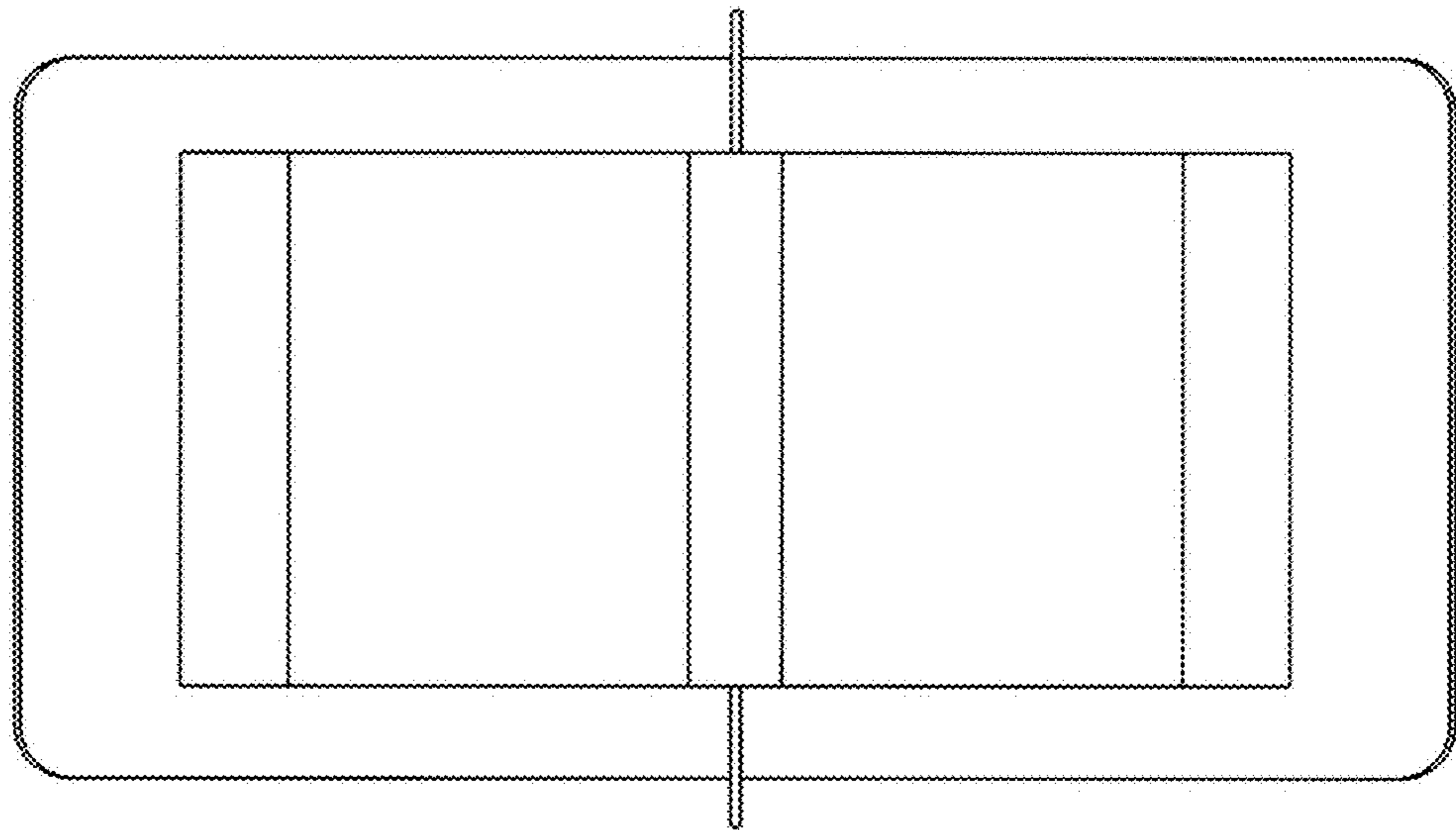
**1 Claim, 10 Drawing Sheets**



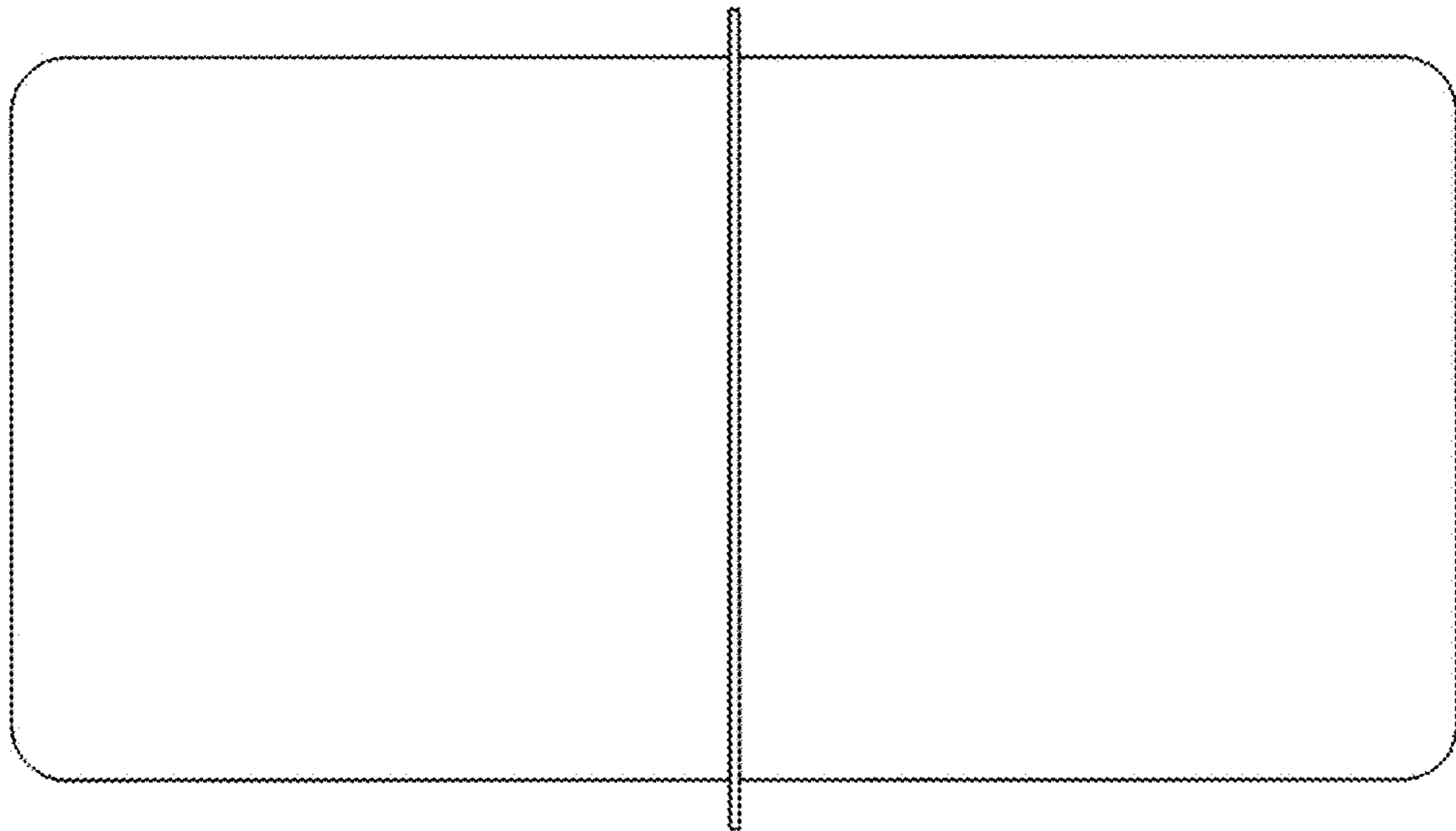
7.1



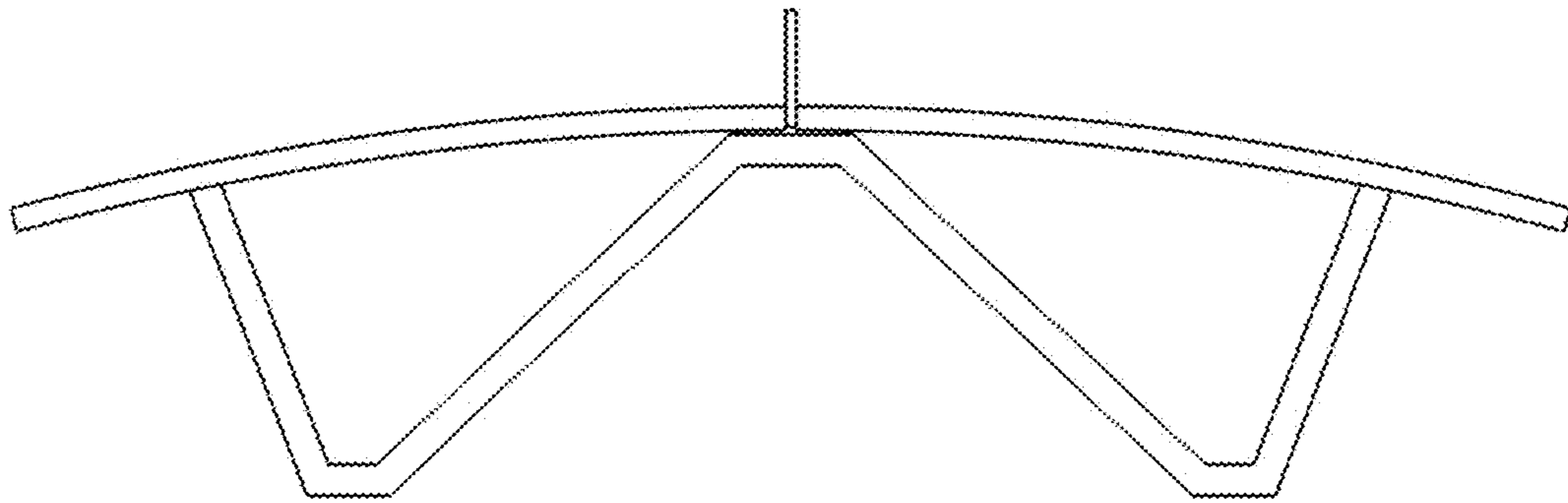
7.2



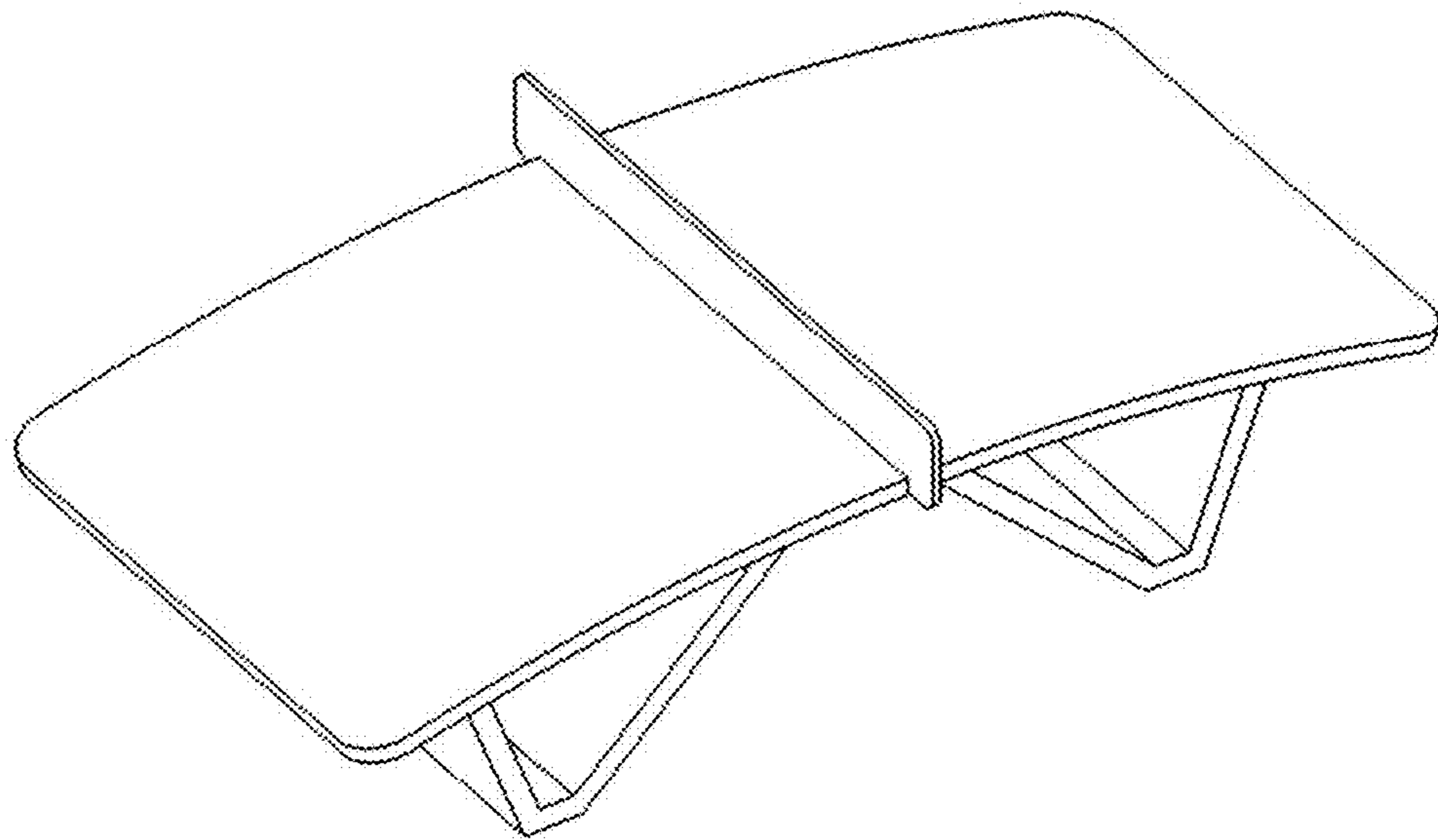
7.3



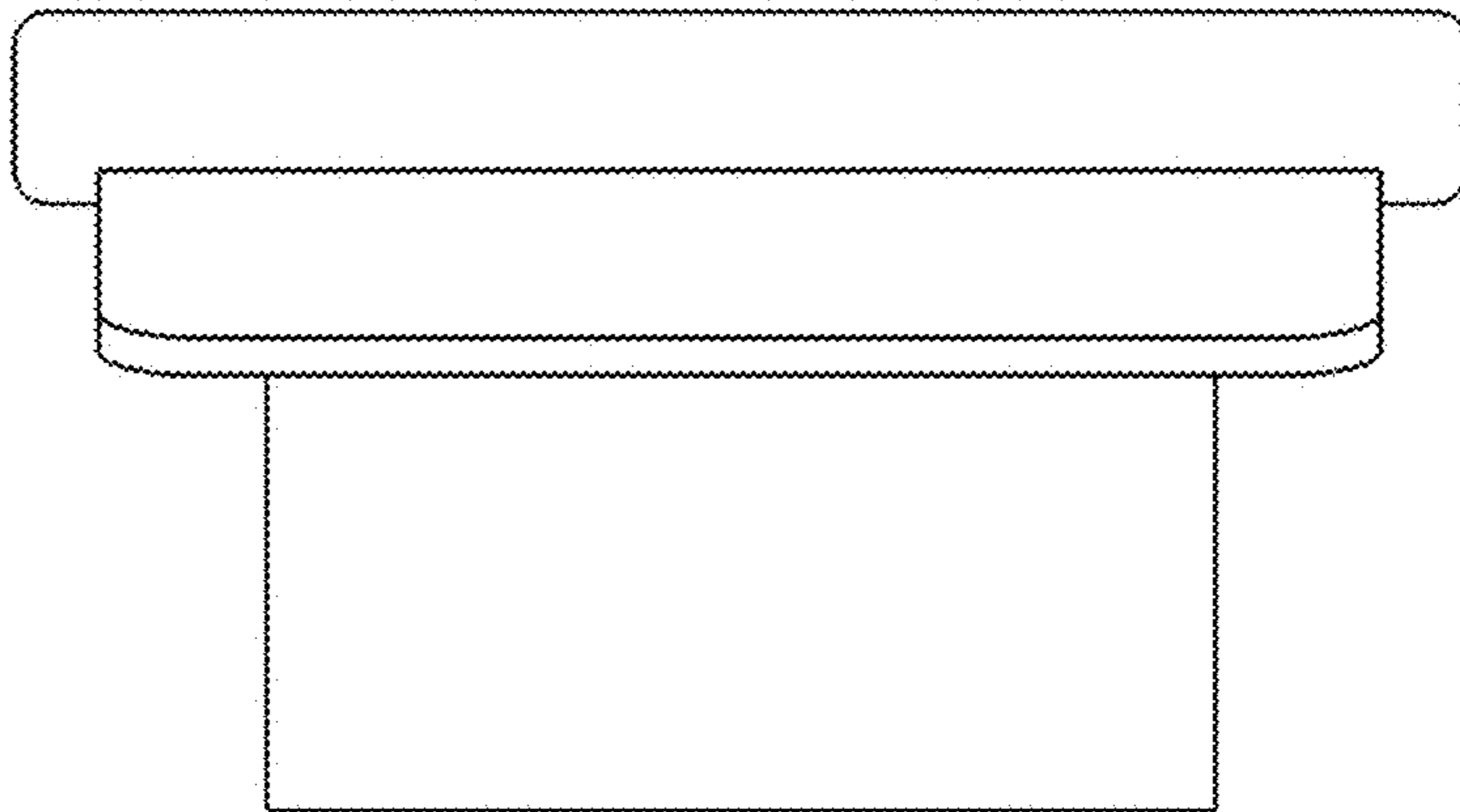
7.4



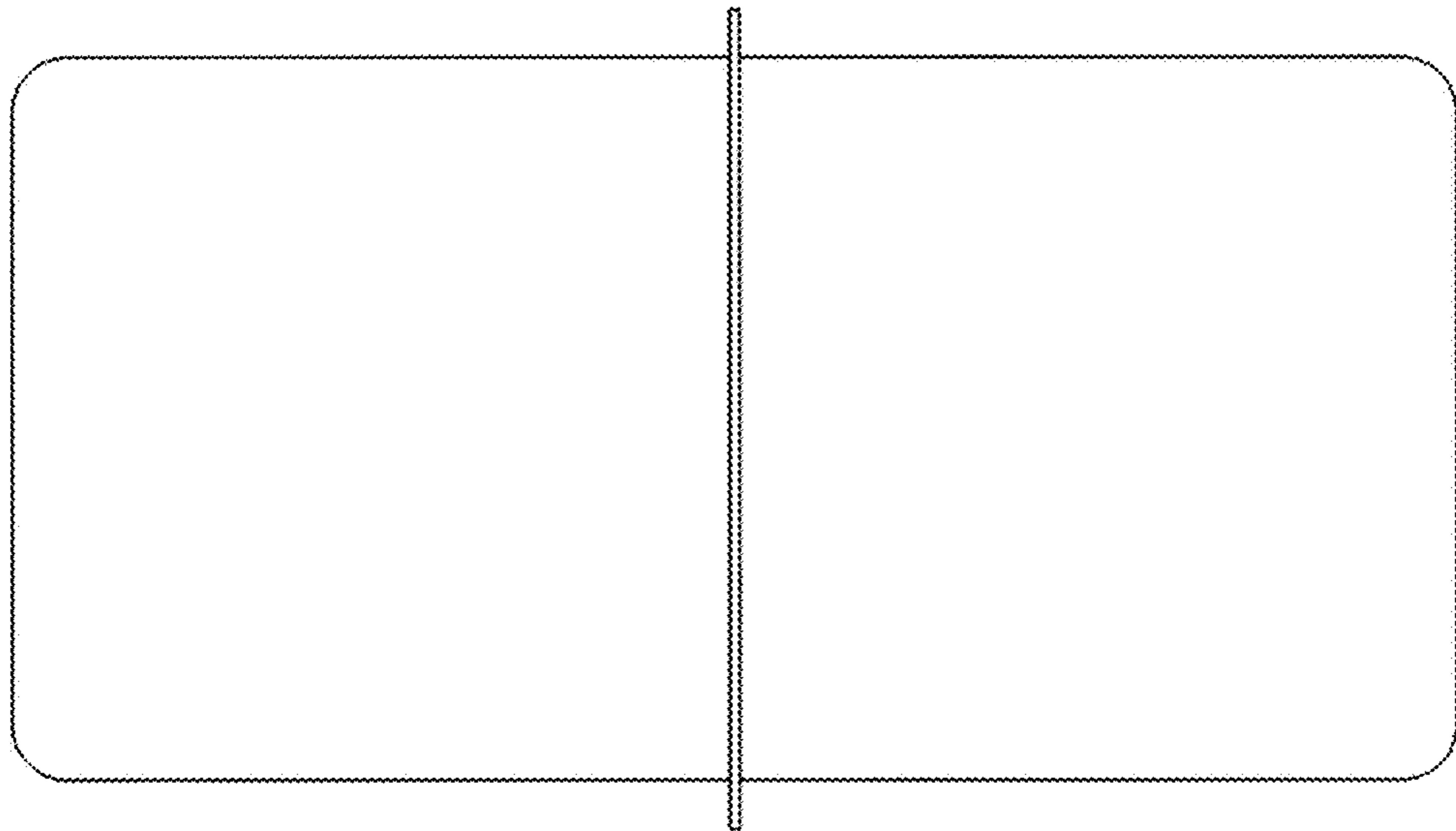
7.5



30.1

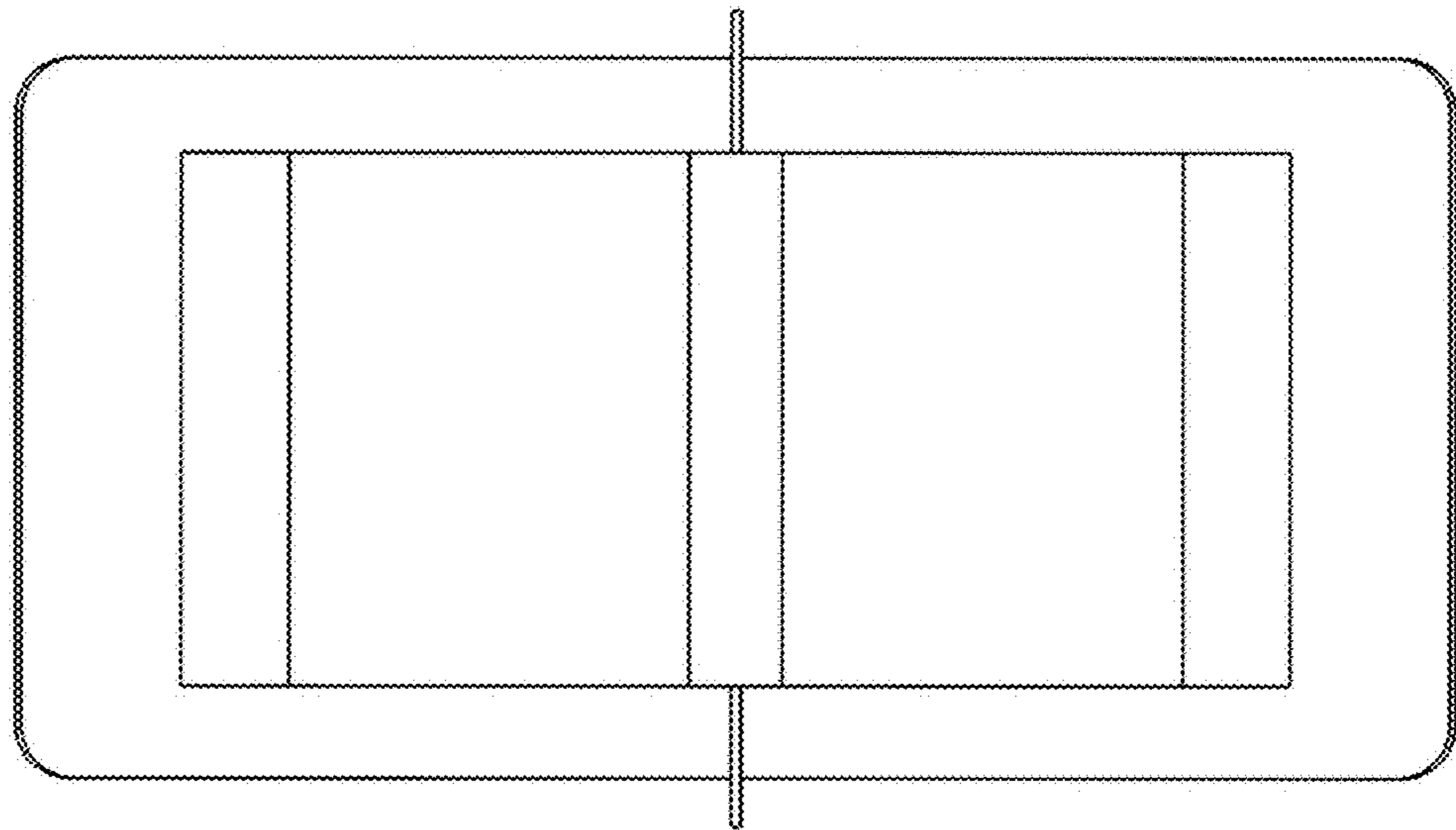


30.2

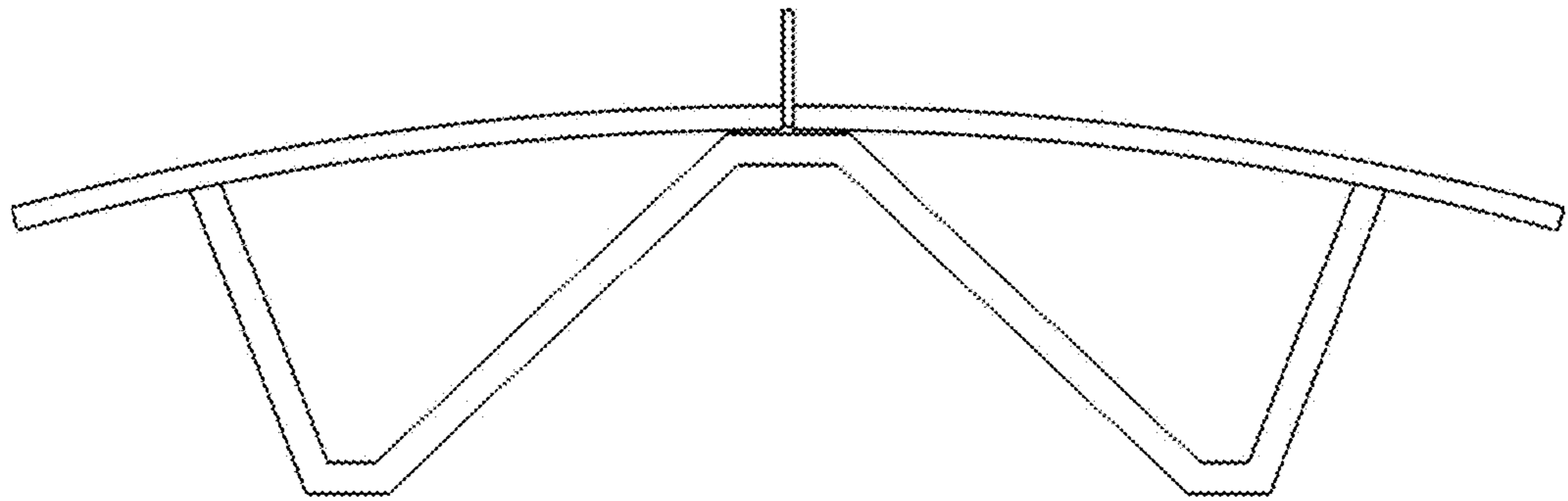




30.3



30.4



30.5

