



US00D958919S

(12) **United States Design Patent**
Wu et al.

(10) **Patent No.:** **US D958,919 S**
(45) **Date of Patent:** **** Jul. 26, 2022**

- (54) **GOLF BAG CLIP**
- (71) Applicant: **Dongguan Kairay E-Commerce Co., Ltd, Dongguan (CN)**
- (72) Inventors: **Ke Wu, Dongguan (CN); Zhenghong Tang, Dongguan (CN)**
- (73) Assignee: **Dongguan Kairay E-Commerce Co, Ltd, Dongguan (CN)**
- (**) Term: **15 Years**
- (21) Appl. No.: **29/757,649**
- (22) Filed: **Nov. 8, 2020**
- (51) **LOC (13) Cl.** **21-02**
- (52) **U.S. Cl.**
USPC **D21/796; D8/349**
- (58) **Field of Classification Search**
USPC D21/708, 789, 793, 796; D8/349;
D14/253, 447, 432, 434, 439, 440, 451,
D14/452, 457, 239; D3/218, 221
CPC A47B 21/04; A47B 2097/006; A47B
2097/005; A47B 2023/049; A45C
2011/002; A45C 2011/003; F16M
2200/00; F16M 13/00
See application file for complete search history.

6,705,497 B1 *	3/2004	Schuett	A45F 5/021 224/269
D503,085 S *	3/2005	McGrath, Jr.	D8/395
D507,871 S *	8/2005	DiMarchi	D3/215
D508,605 S *	8/2005	Hwang	D3/218
D556,545 S *	12/2007	Titas	D8/354
D557,117 S *	12/2007	Cannaverde	D8/354
D721,498 S *	1/2015	Holt	D3/318
D734,305 S *	7/2015	Wengreen	D14/238.1
D763,835 S *	8/2016	Wengreen	D6/567
D765,063 S *	8/2016	Wengreen	D6/567
D767,973 S *	10/2016	DeDios-Shirley	D8/349
D772,859 S *	11/2016	Alesi	D14/253
D777,167 S *	1/2017	Wengreen	D14/447
D797,546 S *	9/2017	Saideh	D8/354
D798,306 S *	9/2017	Wengreen	D14/447
D812,371 S *	3/2018	Horne	D21/796
D839,078 S *	1/2019	Stahl	D25/199
D854,314 S *	7/2019	Burns	D3/218
D863,040 S *	10/2019	DeDios-Shirley	D8/354
D877,137 S *	3/2020	Engerman	D14/253
D906,095 S *	12/2020	DeDios-Shirley	D8/354
2012/0126081 A1 *	5/2012	Wengreen	F16M 13/02 248/304

* cited by examiner

Primary Examiner — Mark A Goodwin

(57) **CLAIM**

The ornamental design for a golf bag clip, as shown and described.

DESCRIPTION

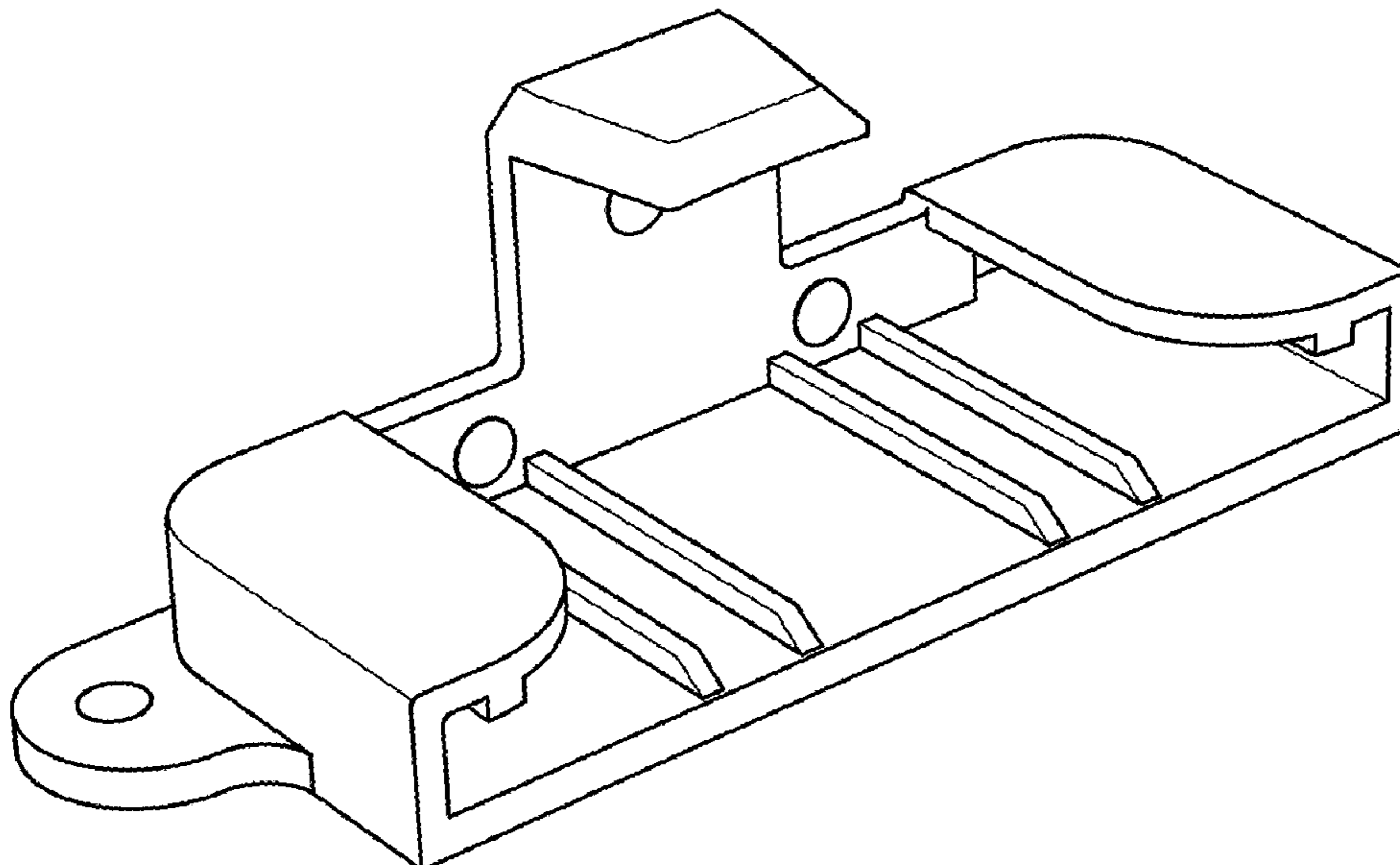
FIG. 1 is a perspective view of a golf bag clip showing my new design;
 FIG. 2 is a front view thereof;
 FIG. 3 is a rear view thereof;
 FIG. 4 is a left side view thereof;
 FIG. 5 is a right side view thereof;
 FIG. 6 is a top plan view thereof; and,
 FIG. 7 is a bottom plan view thereof.

1 Claim, 7 Drawing Sheets

(56) **References Cited**

U.S. PATENT DOCUMENTS

D206,541 S *	12/1966	Hylar	D3/229
D348,355 S *	7/1994	Scheid	D3/218
D359,616 S *	6/1995	Ishibashi	D3/218
D368,508 S *	4/1996	Garrett	D20/22
D405,224 S *	2/1999	Falconio	D8/395
D430,252 S *	8/2000	Grove	D21/796
D443,329 S *	6/2001	Helmreich	D21/796
D457,308 S *	5/2002	Infanti	D3/218
D467,068 S *	12/2002	Lewis	D3/215



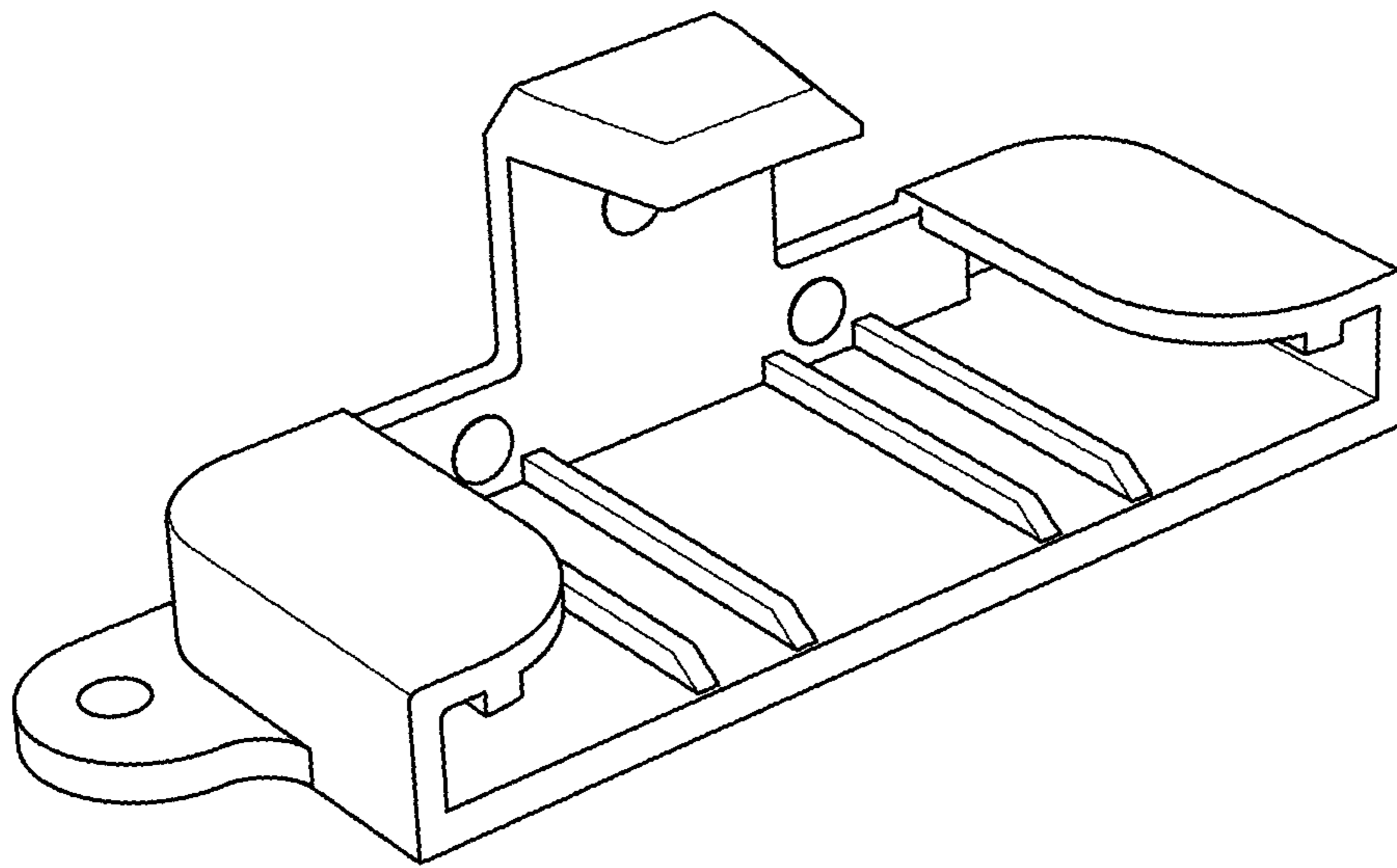


FIG.1

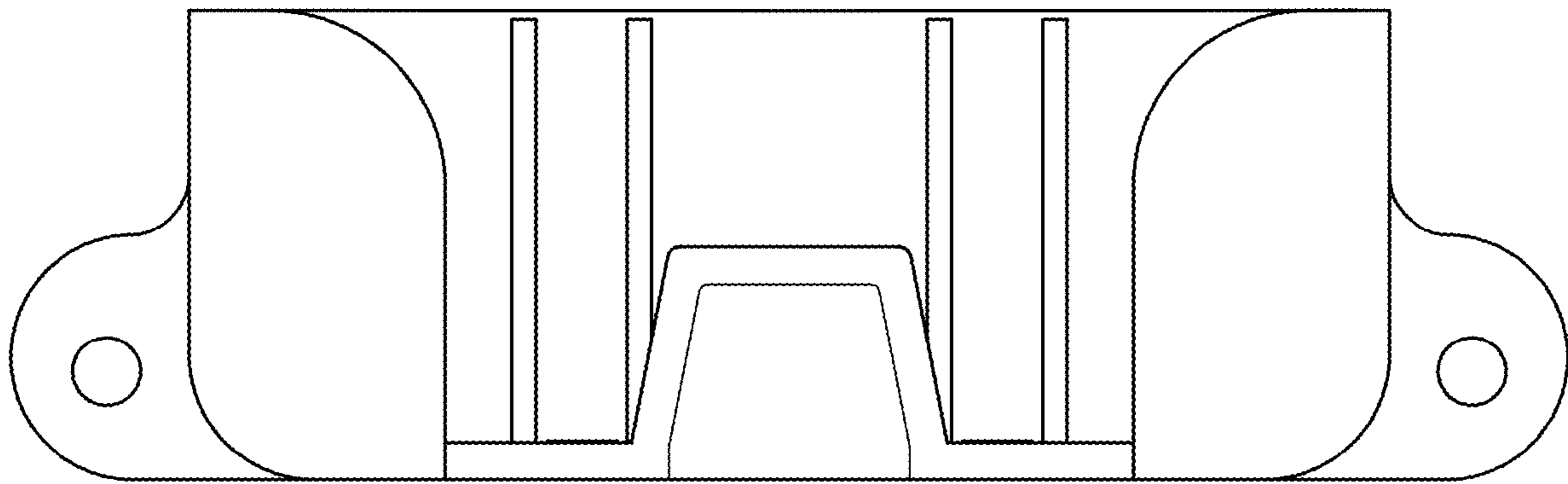


FIG.2

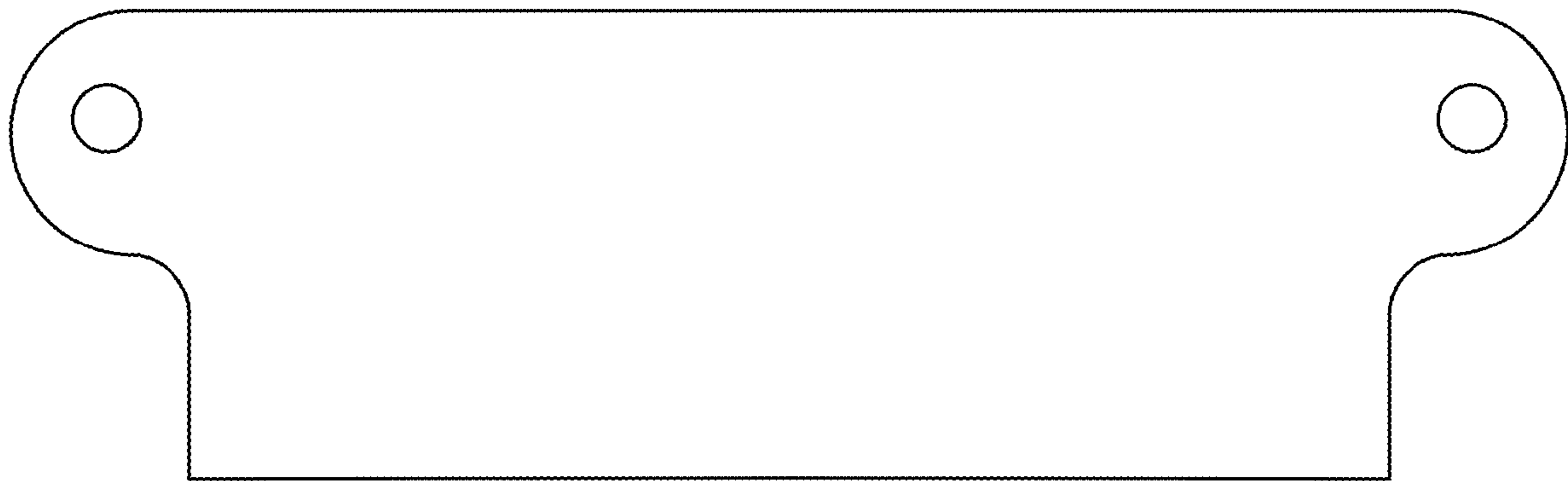


FIG.3

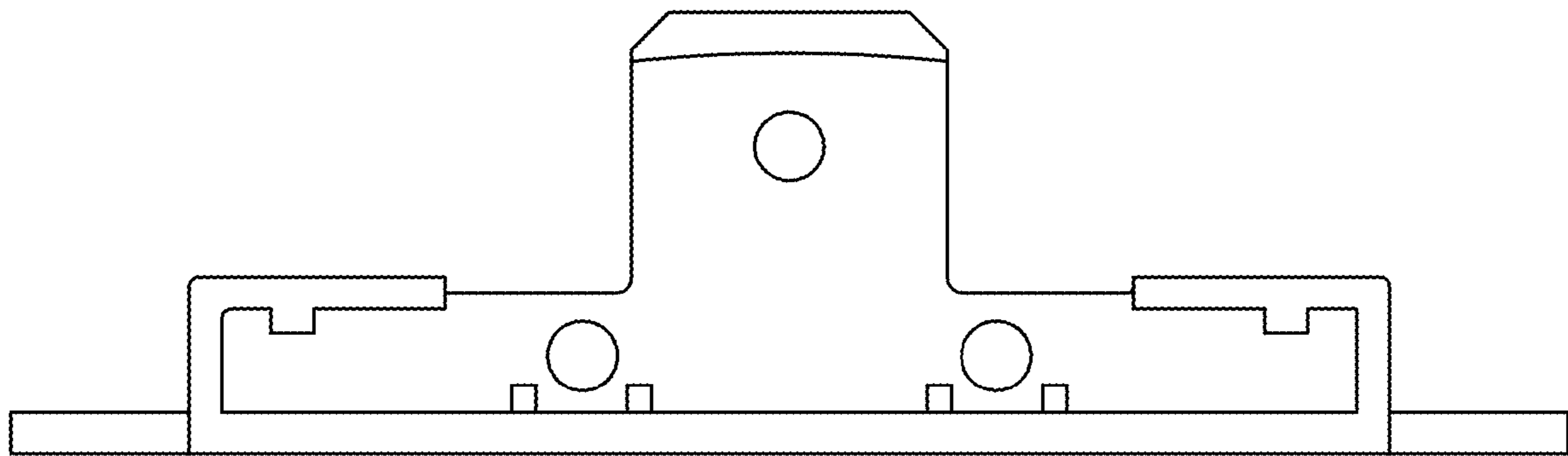


FIG.4

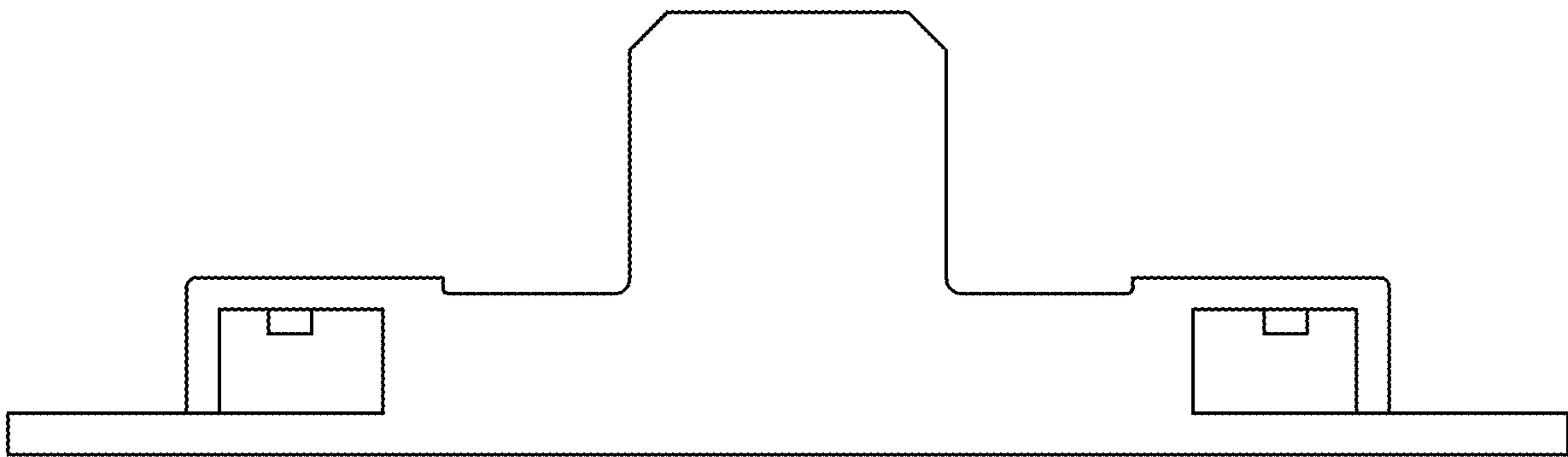


FIG.5

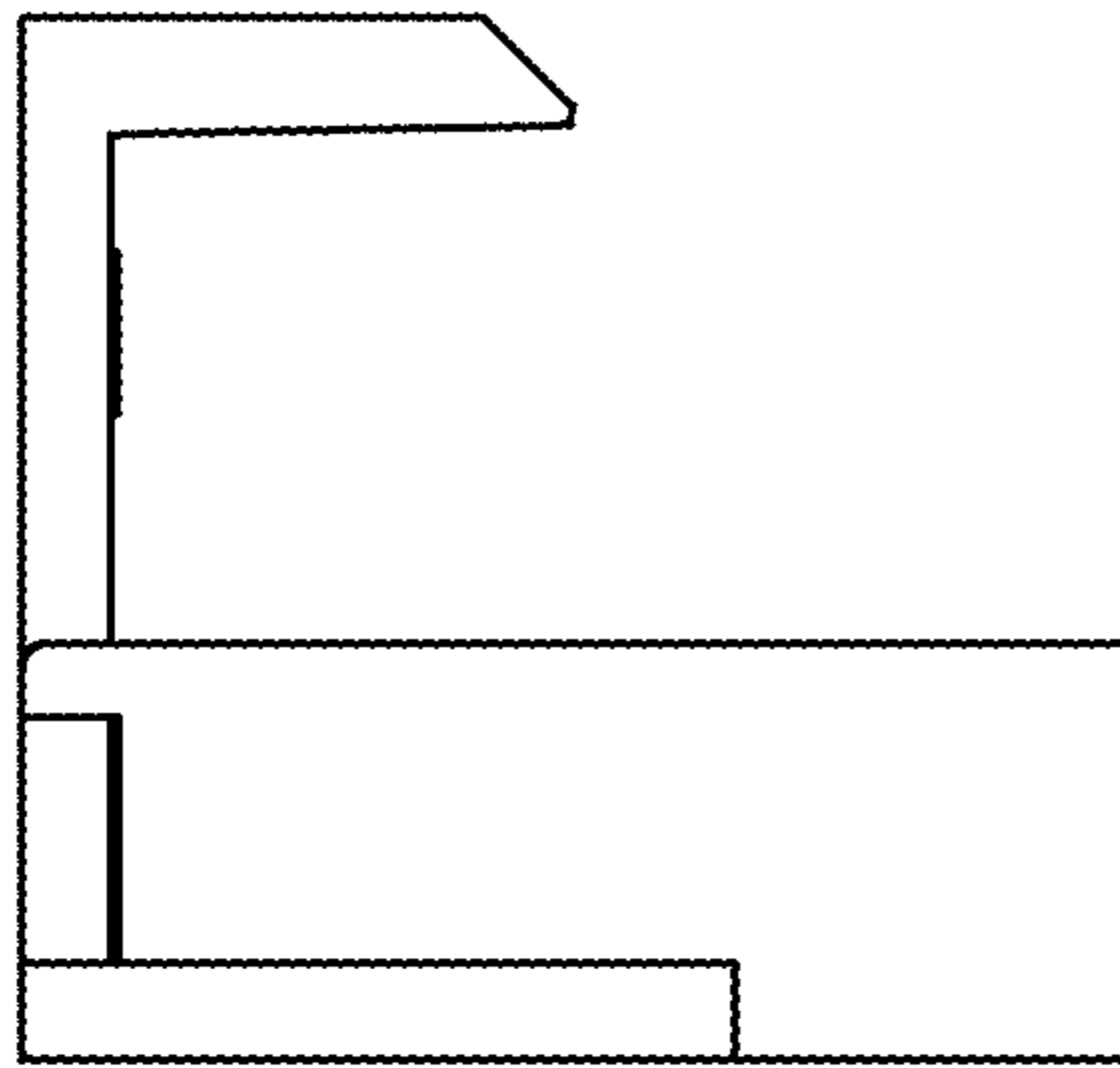


FIG.6

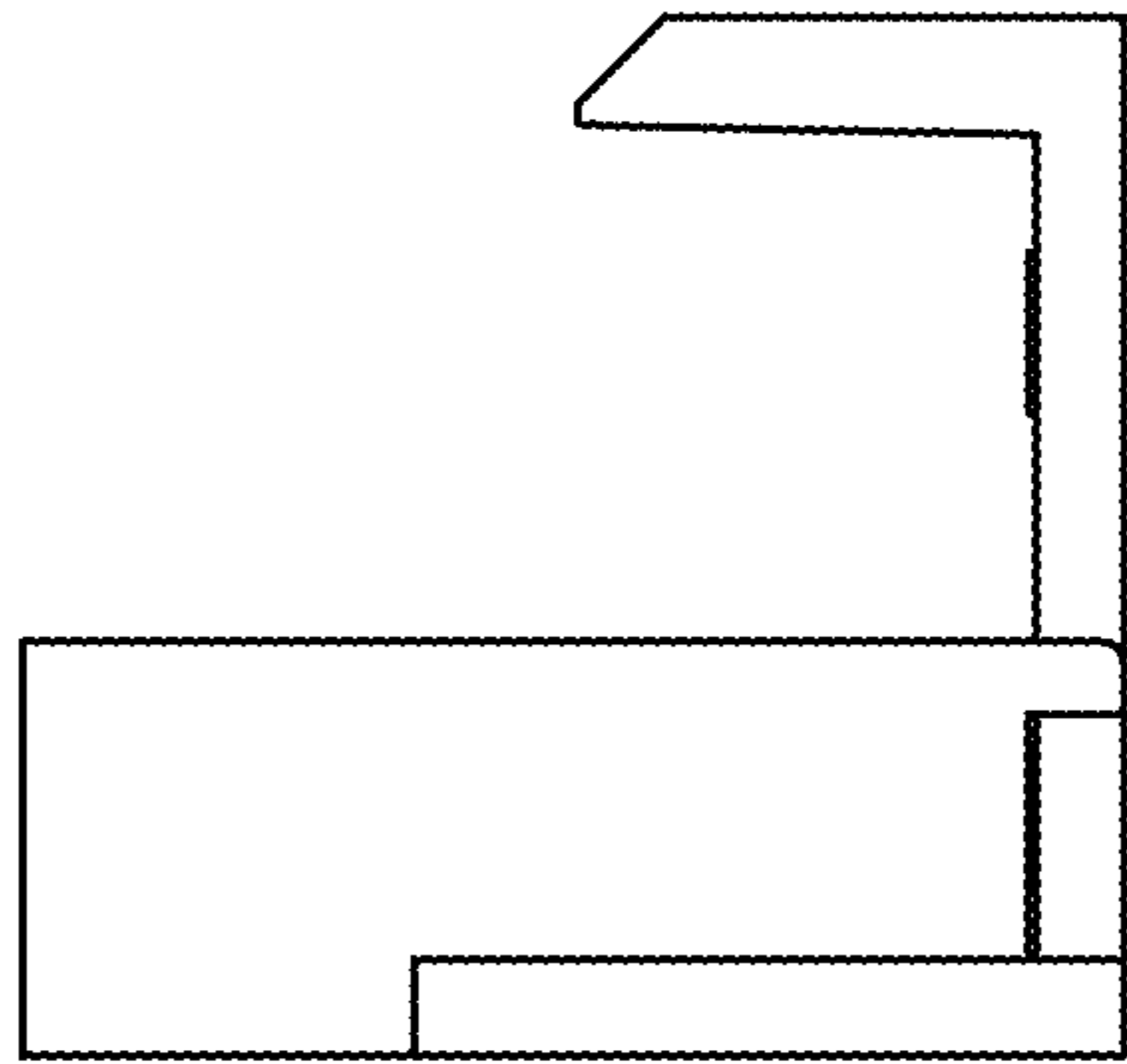


FIG.7