

US00D958916S

(12) **United States Design Patent** (10) **Patent No.:** **US D958,916 S**
Wu (45) **Date of Patent:** **** Jul. 26, 2022**

(54) **BALL PRACTICE DEVICE**
(71) Applicant: **Jingquan Wu**, Guangdong (CN)
(72) Inventor: **Jingquan Wu**, Guangdong (CN)
(**) Term: **15 Years**
(21) Appl. No.: **29/741,523**
(22) Filed: **Jul. 14, 2020**
(51) **LOC (13) Cl.** **21-02**
(52) **U.S. Cl.**
USPC **D21/781; D21/698**
(58) **Field of Classification Search**
USPC D21/789, 791, 781, 698
CPC A63B 69/0002; A63B 69/0071; A63B
69/0073; A63B 69/0091
See application file for complete search history.

D680,184 S * 4/2013 O'Rourke D21/835
D730,470 S * 5/2015 Chen D21/819
D762,800 S * 8/2016 Scherba D21/837
D762,801 S * 8/2016 Scherba D21/837
D786,999 S * 5/2017 Ochi D21/811
D787,000 S * 5/2017 Ochi D21/811
D787,001 S * 5/2017 Ochi D21/814
D812,701 S * 3/2018 Parham D21/715
9,919,229 B1 * 3/2018 Bagumyan A63G 31/12
D815,232 S * 4/2018 Bagumyan D21/820
D822,140 S * 7/2018 Hsu D21/818
D822,782 S * 7/2018 Wang D21/835
D824,471 S * 7/2018 Bagumyan D21/818
10,245,491 B2 * 4/2019 Scherba A63B 17/00
D862,627 S * 10/2019 Wang D21/818
D870,834 S * 12/2019 Hsu D21/814
D878,504 S * 3/2020 Parham D21/698
D879,226 S * 3/2020 Parham D21/698
10,888,759 B2 * 1/2021 Scherba A63B 69/004
D917,639 S * 4/2021 Manley D21/721
D920,457 S * 5/2021 Santo D21/791
D937,950 S * 12/2021 Koning D21/796
D939,653 S * 12/2021 Johnson D21/789

(Continued)

(56) **References Cited**
U.S. PATENT DOCUMENTS

D328,326 S * 7/1992 Kuan D21/818
D340,965 S * 11/1993 Lee D21/818
5,522,598 A * 6/1996 Loyd A63B 63/08
273/402
D389,217 S * 1/1998 Rubio D21/814
D422,667 S * 4/2000 Lau D21/814
D437,022 S * 1/2001 Gourchounian D21/835
D437,023 S * 1/2001 Gourchounian D21/835
D437,380 S * 2/2001 Gourchounian D21/835
D439,946 S * 4/2001 Gourchounian D21/835
D478,955 S * 8/2003 Chen D21/814
D504,482 S * 4/2005 Webb D21/789
D511,363 S * 11/2005 Nicholson D21/818
D522,082 S * 5/2006 Peterson D21/818
7,431,658 B2 * 10/2008 Priegel A63B 57/357
473/175
D595,801 S * 7/2009 Boulton D21/819
D595,802 S * 7/2009 Boulton D21/835
D600,769 S * 9/2009 Xiao D21/835

Primary Examiner — Mitchell I. Siegel
(74) Attorney, Agent, or Firm — Georgi Korobanov

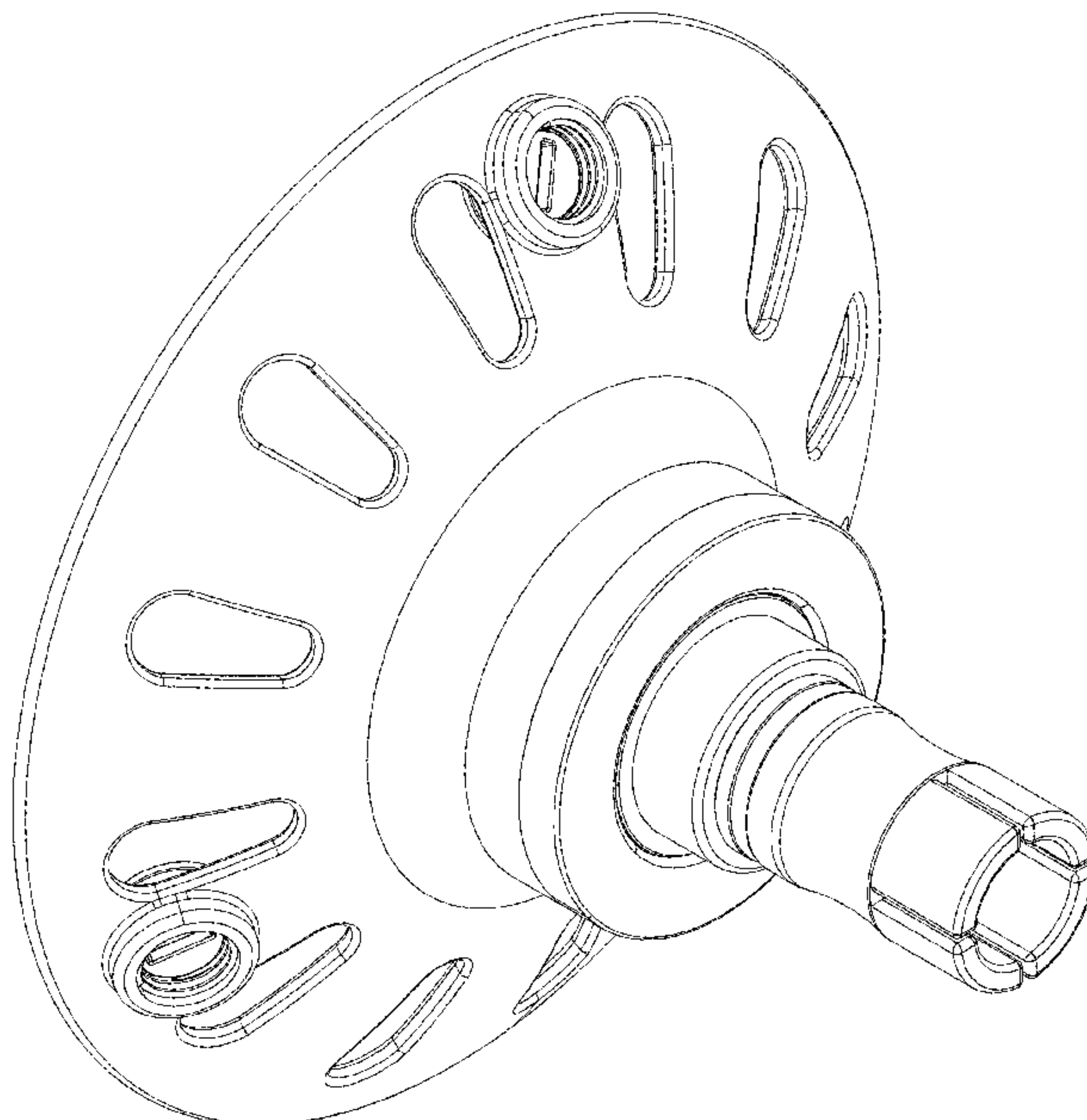
(57) **CLAIM**

The ornamental design for a ball training device, as shown and described.

DESCRIPTION

FIG. 1 is a perspective view of a ball training device showing my new design;
FIG. 2 is a front elevational view thereof;
FIG. 3 is a rear elevational view thereof;
FIG. 4 is a left side elevational view thereof;
FIG. 5 is a right side elevational view thereof;
FIG. 6 is a top plan view thereof; and,
FIG. 7 is a bottom plan view thereof.

1 Claim, 7 Drawing Sheets



(56)

References Cited

U.S. PATENT DOCUMENTS

2008/0171609 A1* 7/2008 Priegel A63B 57/357
473/176
2009/0197691 A1* 8/2009 Mullen A63B 57/40
473/176
2020/0353331 A1* 11/2020 Renke A63B 57/357

* cited by examiner

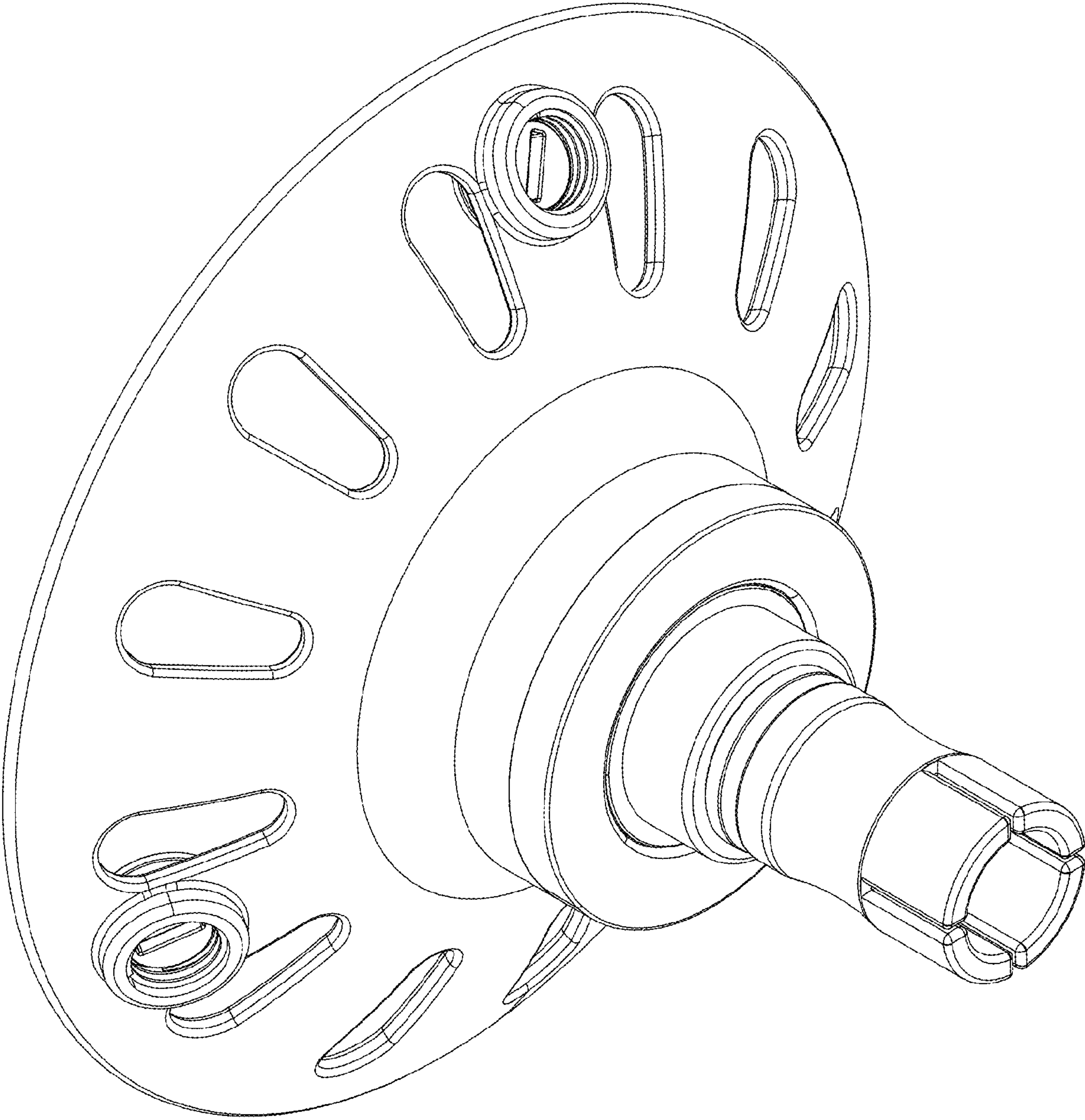


FIG. 1

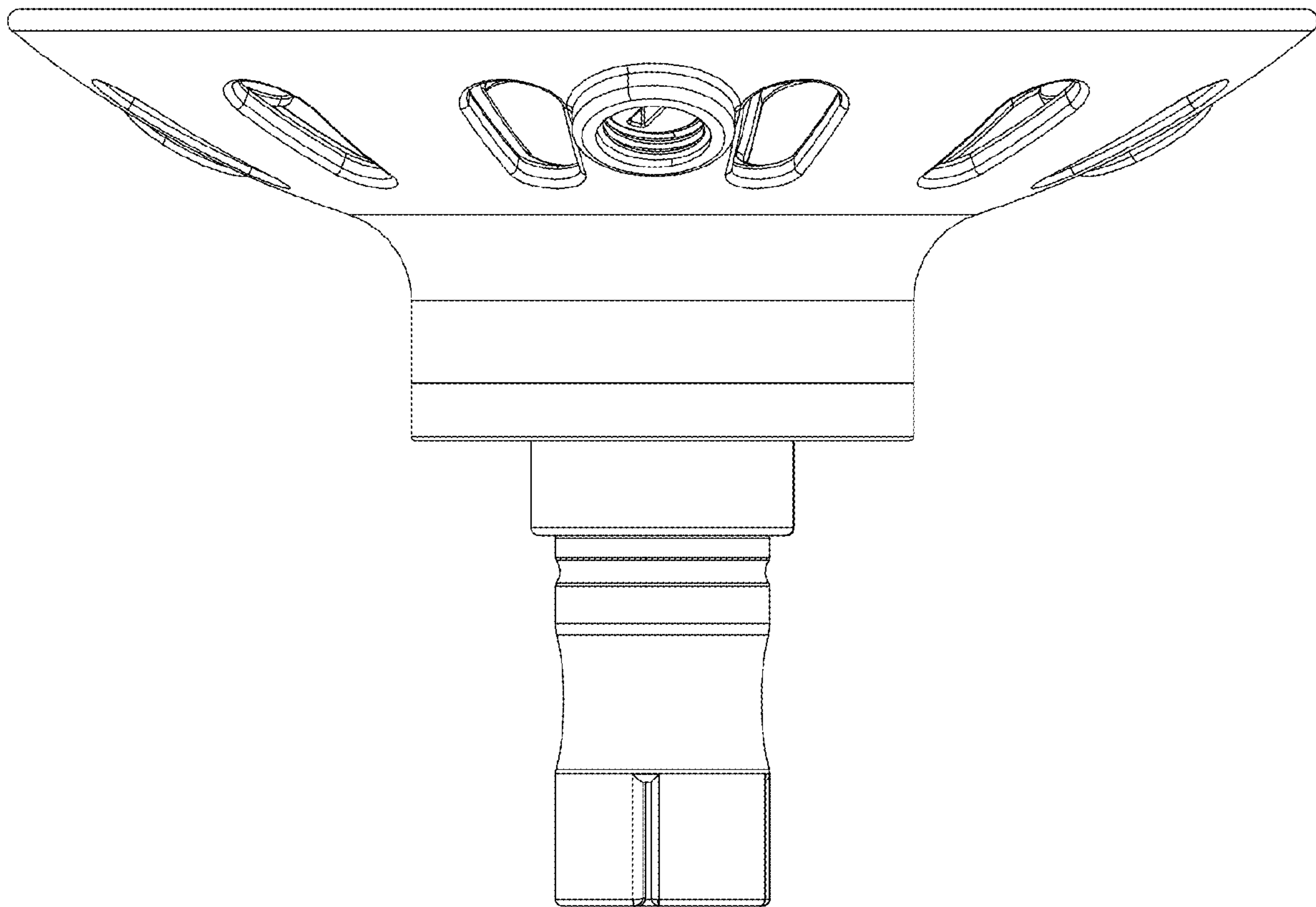


FIG. 2

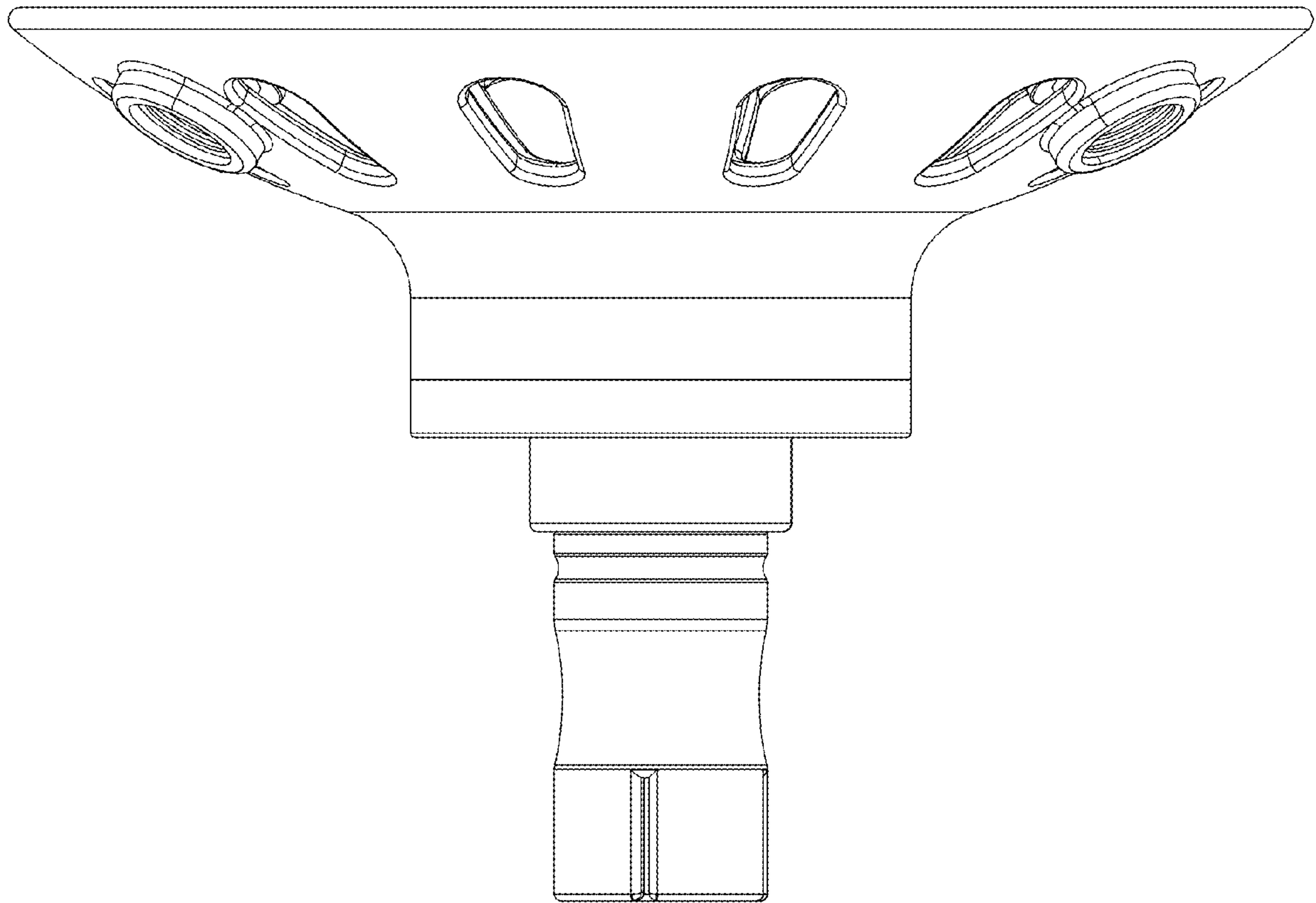


FIG. 3

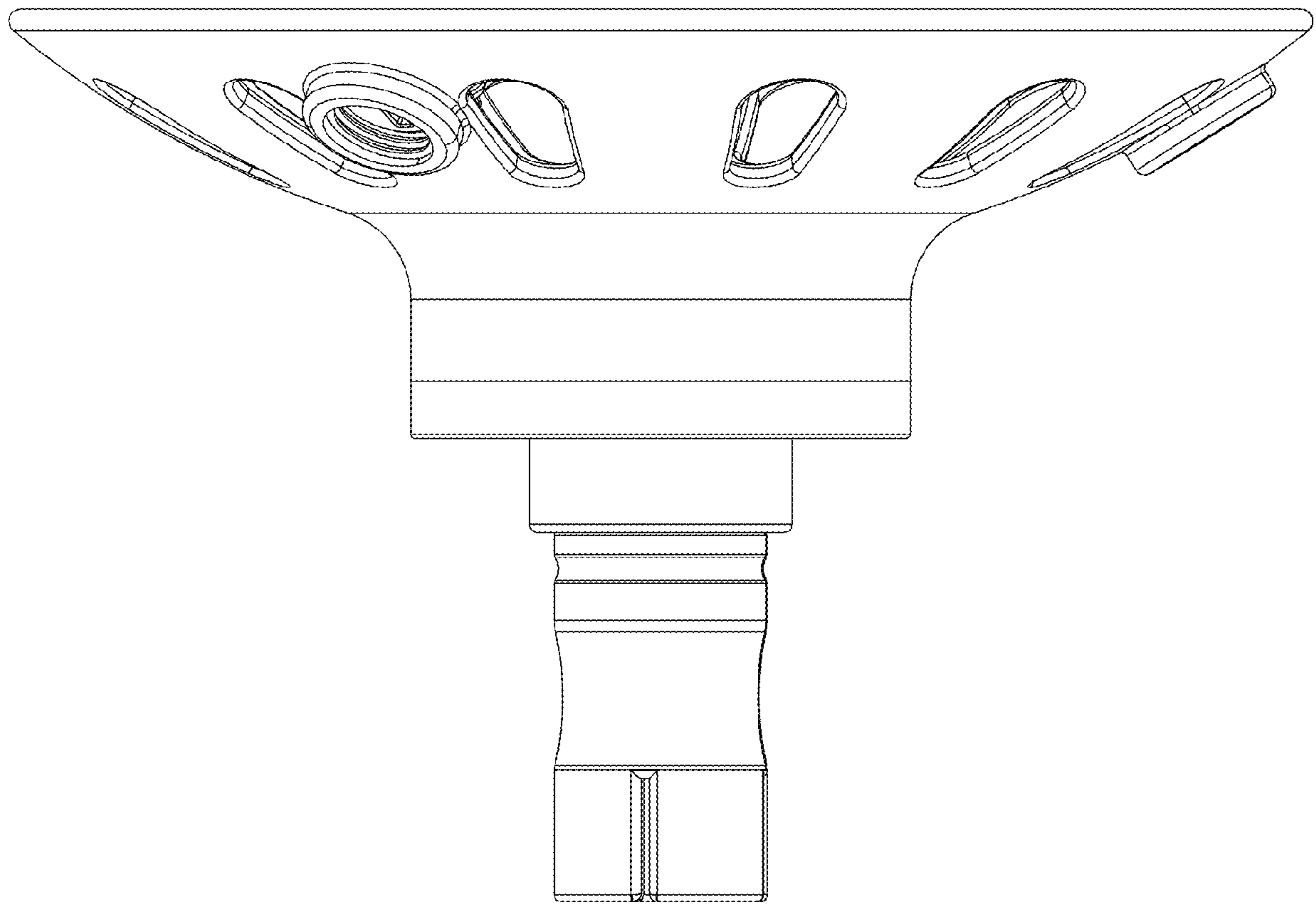


FIG. 4

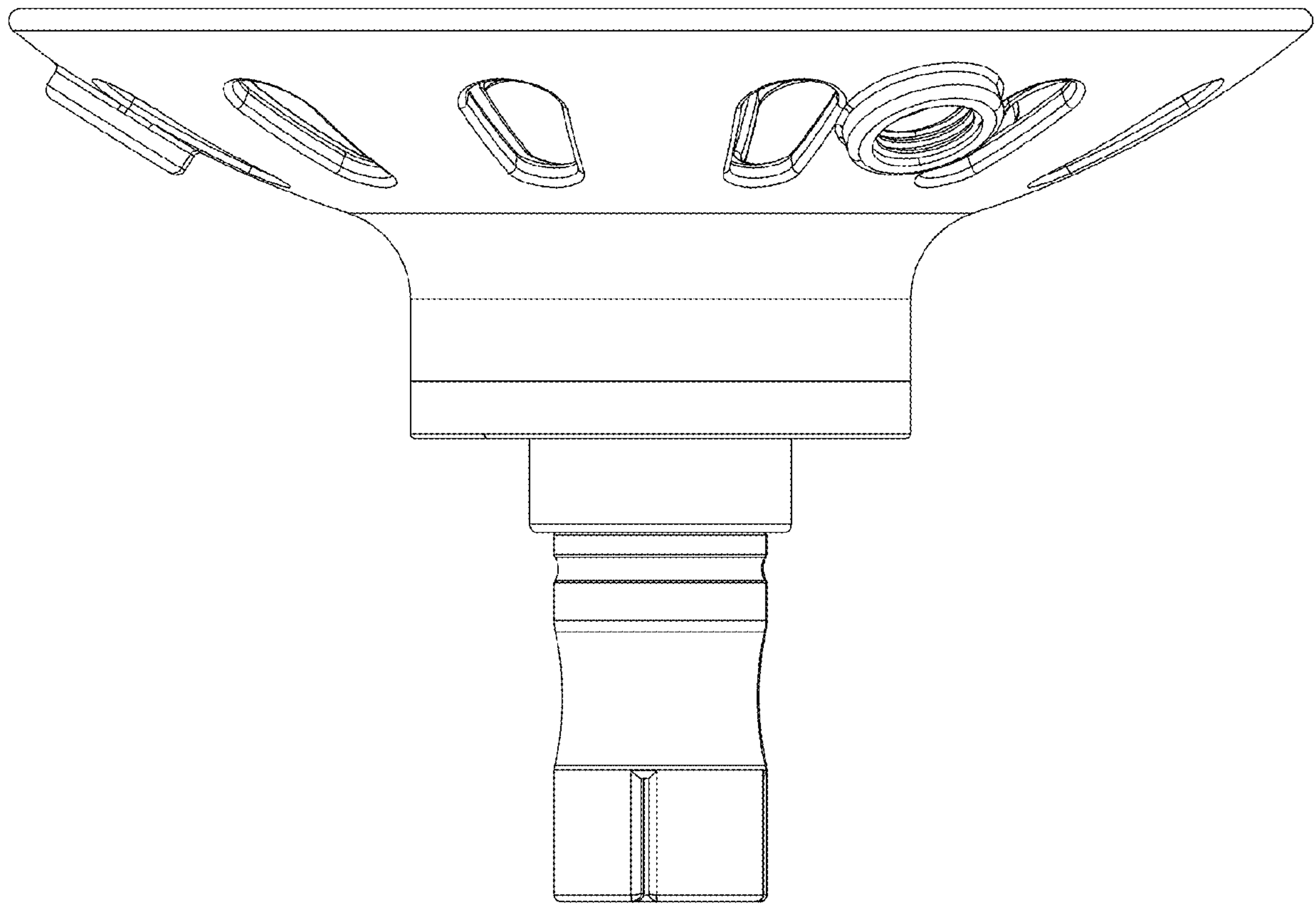


FIG. 5

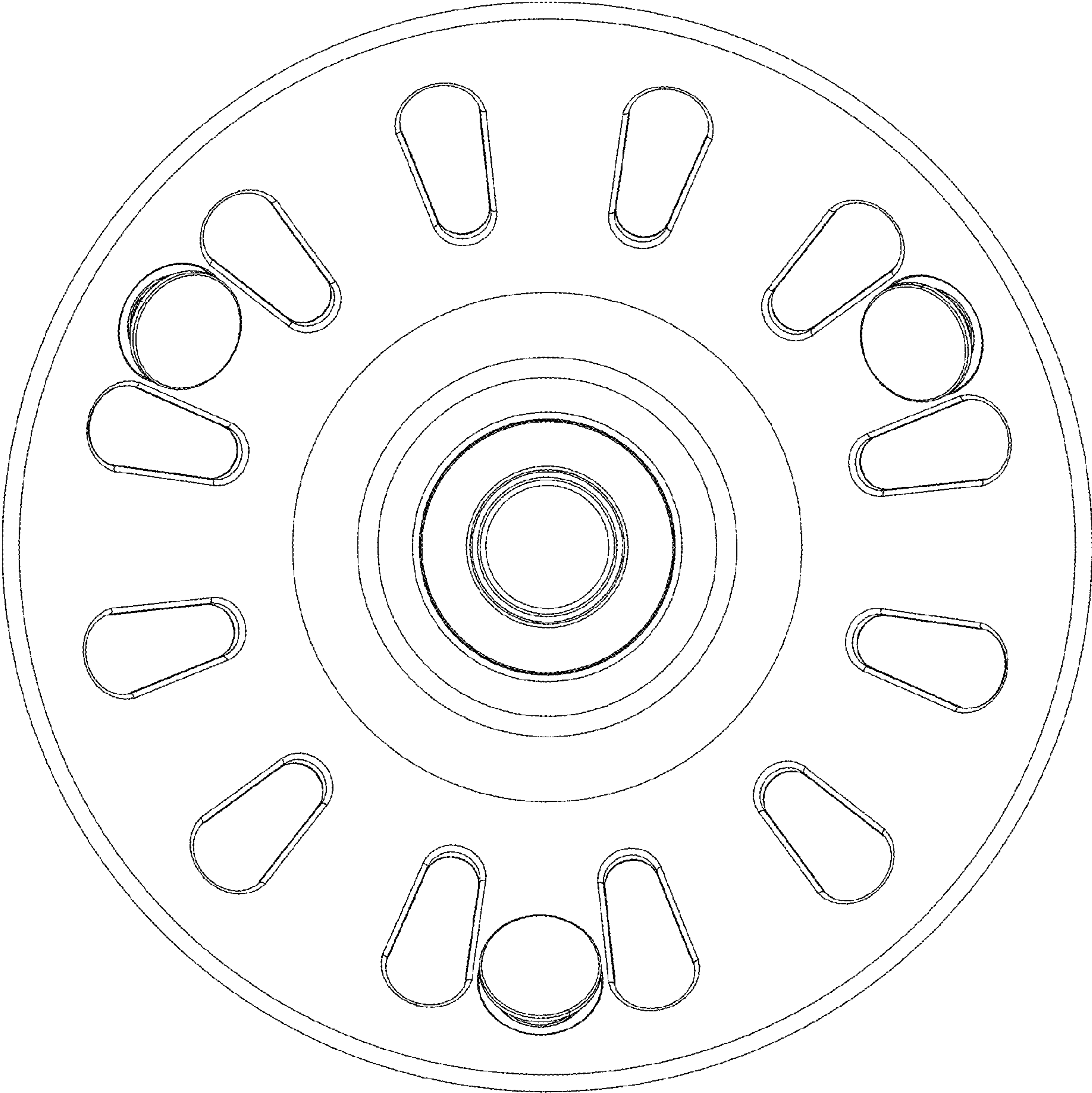


FIG. 6

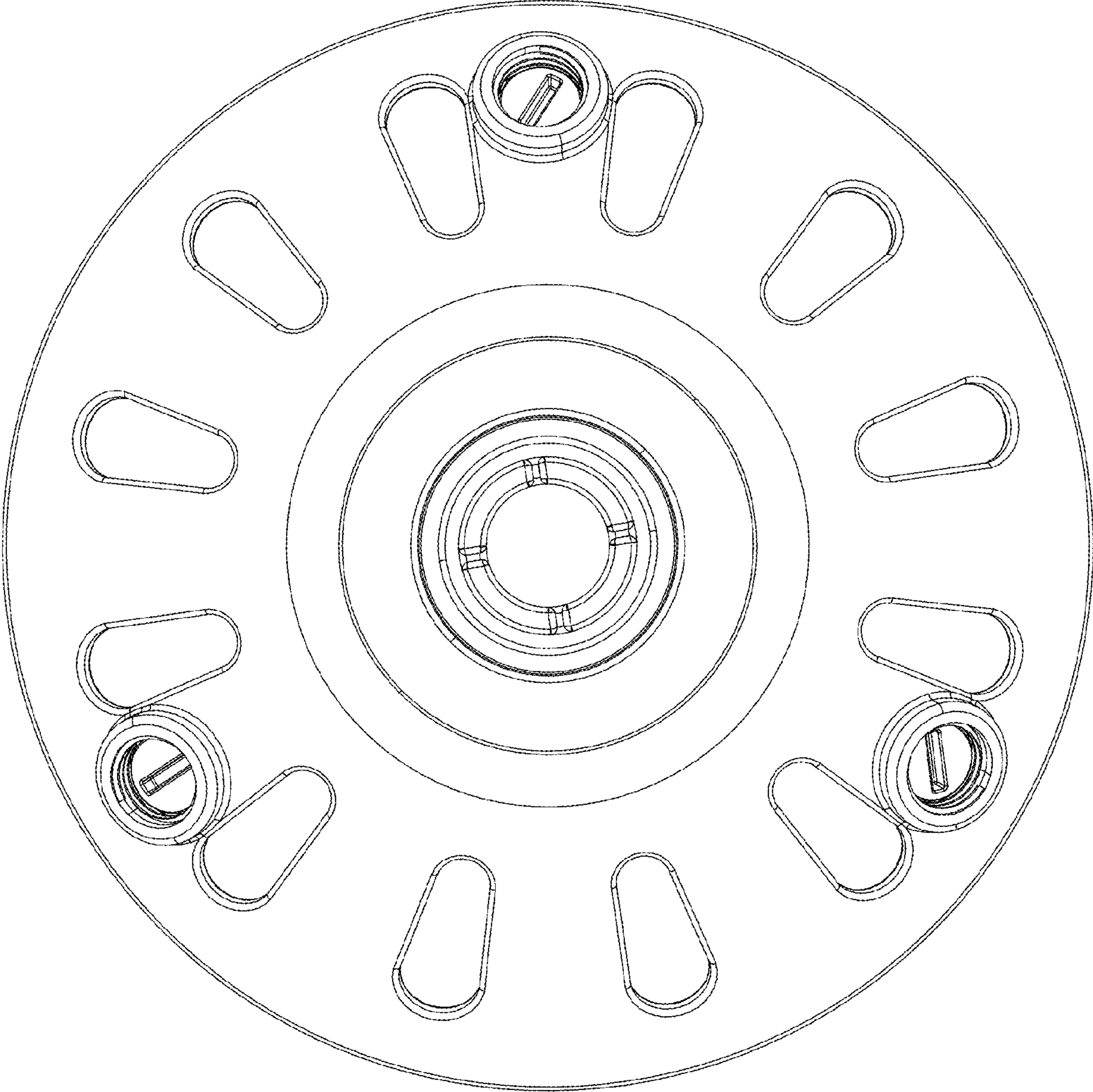


FIG. 7