



US00D958914S

(12) **United States Design Patent** (10) **Patent No.:** **US D958,914 S**
Rollinson et al. (45) **Date of Patent:** **** Jul. 26, 2022**

(54) **PUTTER HEAD** D256,262 S * 8/1980 Benson 473/253
 5,324,031 A * 6/1994 Green A63B 53/0487
 473/252
 (71) Applicant: **Callaway Golf Company**, Carlsbad, CA (US) 5,533,728 A * 7/1996 Pehoski A63B 60/52
 473/252
 (72) Inventors: **Augustin W. Rollinson**, Pinehurst, NC (US); **Wee Joung Kim**, Vista, CA (US); **Oliver G. Brewer**, San Diego, CA (US) D378,688 S * 4/1997 Cameron D21/745
 D379,645 S * 6/1997 Cameron D21/745
 5,676,603 A * 10/1997 Miller A63B 69/3614
 473/220
 5,685,784 A * 11/1997 Butler A63B 53/0487
 473/340
 (73) Assignee: **Callaway Golf Company**, Carlsbad, CA (US) D393,674 S * 4/1998 Rhee D21/745
 D405,137 S * 2/1999 Nelson D21/738
 D425,157 S * 5/2000 Reed D21/744
 D426,601 S * 6/2000 Reed D21/744
 D444,194 S * 6/2001 Calabro D21/738
 (**) Term: **15 Years**
 (21) Appl. No.: **29/766,291**
 (22) Filed: **Jan. 14, 2021**

(Continued)

Related U.S. Application Data

(62) Division of application No. 29/698,674, filed on Jul. 18, 2019, now Pat. No. Des. 909,518.
 (51) **LOC (13) Cl.** **21-02**
 (52) **U.S. Cl.**
 USPC **D21/744**
 (58) **Field of Classification Search**
 USPC D21/736-746, 759
 CPC A63B 53/00; A63B 53/04; A63B 53/007;
 A63B 53/065; A63B 53/0487; A63B
 60/00; A63B 60/46
 See application file for complete search history.

References Cited

U.S. PATENT DOCUMENTS

D204,466 S * 4/1966 Sowers D21/745
 D209,149 S * 11/1967 Sowers D21/746
 D228,930 S * 10/1973 Stoecher D21/742
 D231,624 S * 5/1974 Wilmoth D21/741
 D240,751 S * 7/1976 Taylor D21/734
 D243,968 S * 4/1977 Whittaker D21/746
 D248,181 S * 6/1978 Cervantes 473/253

OTHER PUBLICATIONS

Callaway putters goggle search; goggle.com; Jun. 1, 2022.*

Primary Examiner — Mitchell I. Siegel
 (74) *Attorney, Agent, or Firm* — Rebecca Hanovice;
 Michael Catania; Sonia Lari

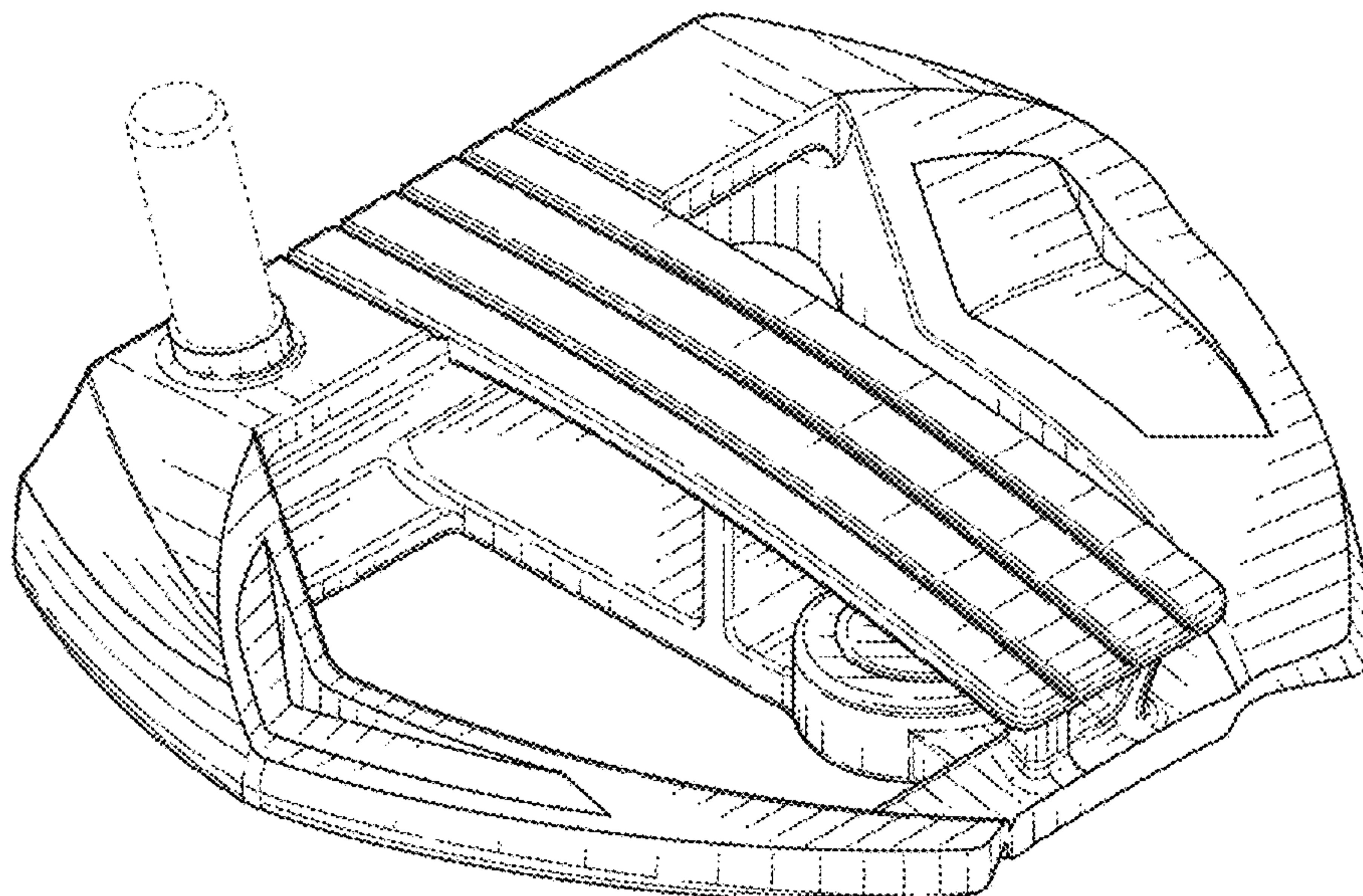
(57) **CLAIM**

The ornamental design for a putter head, as shown and described.

DESCRIPTION

FIG. 1 is a top perspective view of the putter head claimed herein;
 FIG. 2 is a rear elevational view thereof;
 FIG. 3 is a front elevational view thereof;
 FIG. 4 is a right side elevational view thereof;
 FIG. 5 is a left side elevational view thereof;
 FIG. 6 is a top plan view thereof; and,
 FIG. 7 is a bottom plan view thereof.
 The broken lines shown form no part of the claimed design.

1 Claim, 5 Drawing Sheets



(56)

References Cited

U.S. PATENT DOCUMENTS

D508,276 S * 8/2005 Madore D21/759
 D532,847 S * 11/2006 Rollinson D21/736
 D557,361 S * 12/2007 Rollinson D21/743
 D569,460 S * 5/2008 Walker D21/743
 D569,462 S * 5/2008 Rollinson D21/744
 D575,366 S * 8/2008 Rollinson D21/744
 D594,073 S * 6/2009 Kadoya D21/744
 D595,372 S * 6/2009 Rollinson D21/736
 D595,793 S * 7/2009 Rollinson D21/736
 7,601,076 B2 * 10/2009 Rollinson A63B 53/0487
 473/340
 D623,710 S * 9/2010 Hilton A63B 53/0487
 D21/743
 D643,485 S * 8/2011 Nicolette D21/736
 D653,718 S * 2/2012 Stokke D21/743
 D664,617 S * 7/2012 Serrano D21/743
 D667,068 S * 9/2012 Loudenslager D21/759
 D715,388 S * 10/2014 Serrano D21/743
 D730,462 S * 5/2015 Becktor D21/742
 D732,122 S * 6/2015 Becktor D21/742
 D750,186 S * 2/2016 Schweigert D21/746

D774,607 S * 12/2016 Serrano D21/743
 D774,610 S * 12/2016 Serrano D21/744
 D777,269 S * 1/2017 Becktor D21/742
 D783,101 S * 4/2017 Schweigert D21/736
 D793,502 S * 8/2017 Cardani D21/743
 D797,222 S * 9/2017 Serrano D21/744
 D827,064 S * 8/2018 Wypych D21/743
 10,124,221 B2 * 11/2018 Parsons A63B 53/04
 D840,482 S * 2/2019 Serrano D21/736
 D842,952 S * 3/2019 Schweigert D21/743
 D848,562 S * 5/2019 Nicolette D21/736
 D858,666 S * 9/2019 Serrano D21/746
 D861,092 S * 9/2019 Glorioso D21/743
 D864,325 S * 10/2019 Rollinson D21/743
 D877,831 S * 3/2020 Cameron D21/736
 D892,956 S * 8/2020 Clarke D21/744
 D896,328 S * 9/2020 Clarke D21/743
 D898,848 S * 10/2020 Clarke D21/743
 D907,730 S * 1/2021 Rollinson D21/759
 D909,505 S * 2/2021 Schweigert D21/736
 D909,506 S * 2/2021 Schweigert D21/736
 D909,518 S * 2/2021 Rollinson D21/759
 D930,097 S * 9/2021 Wang D21/744

* cited by examiner

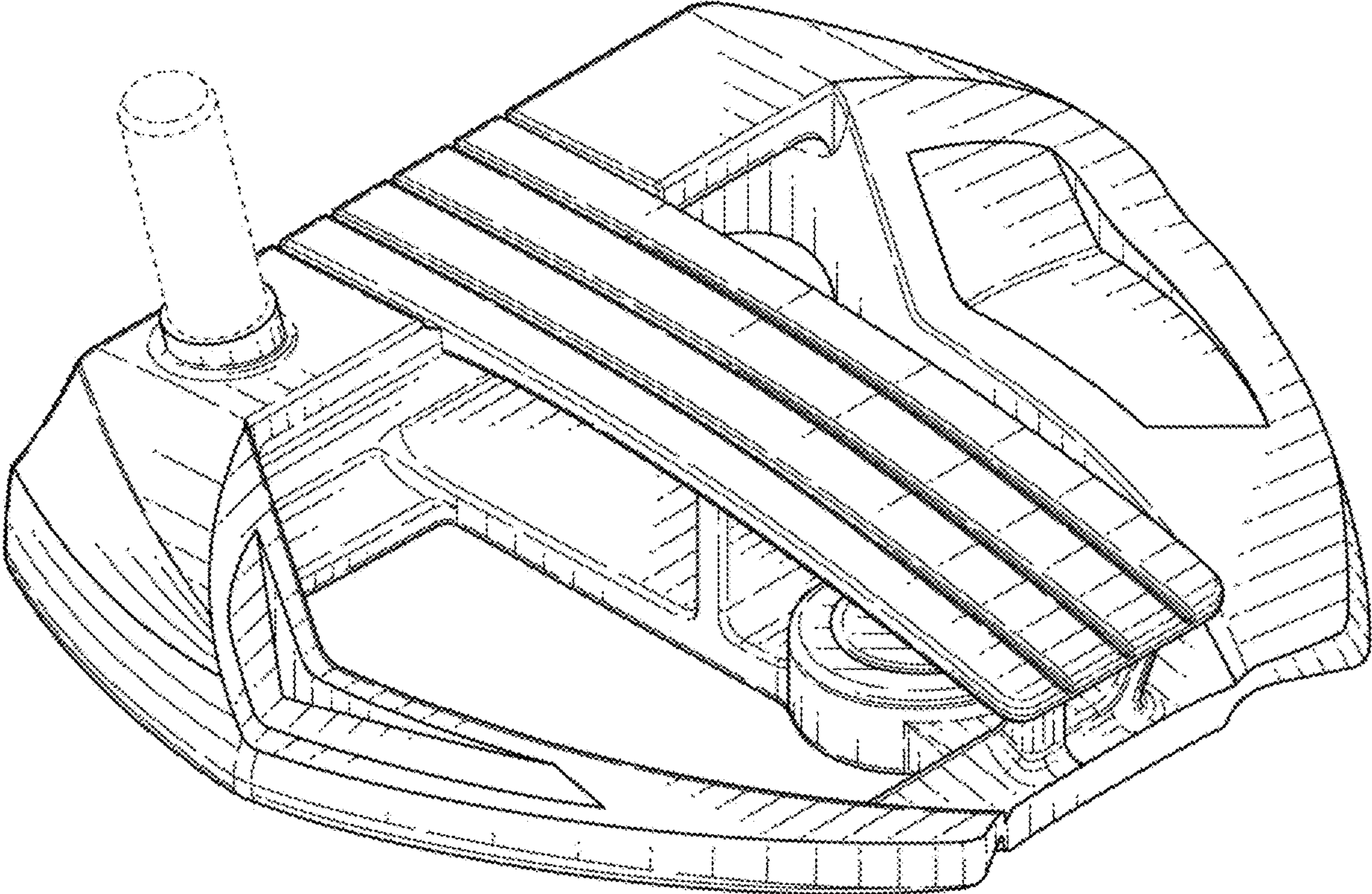


FIG. 1

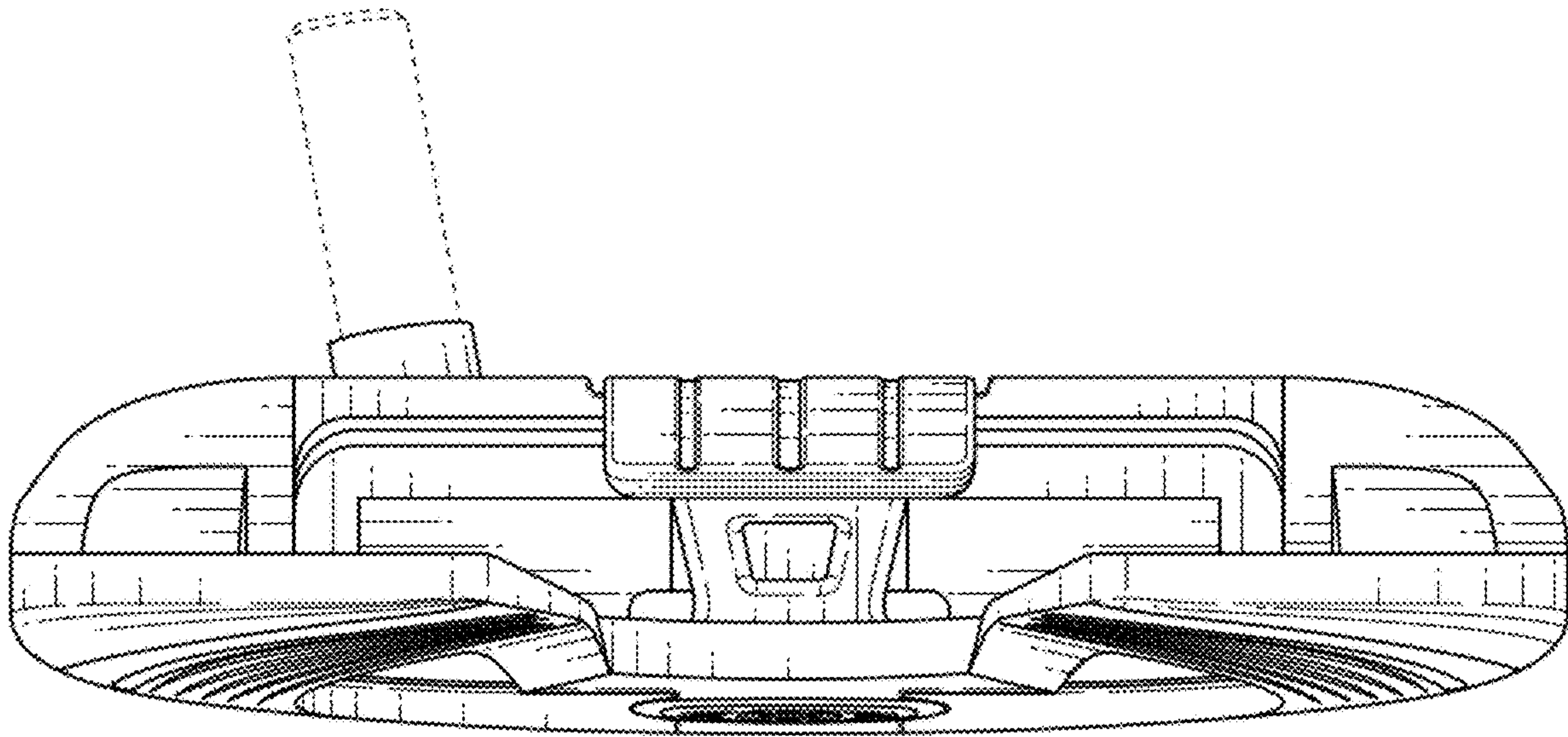


FIG. 2

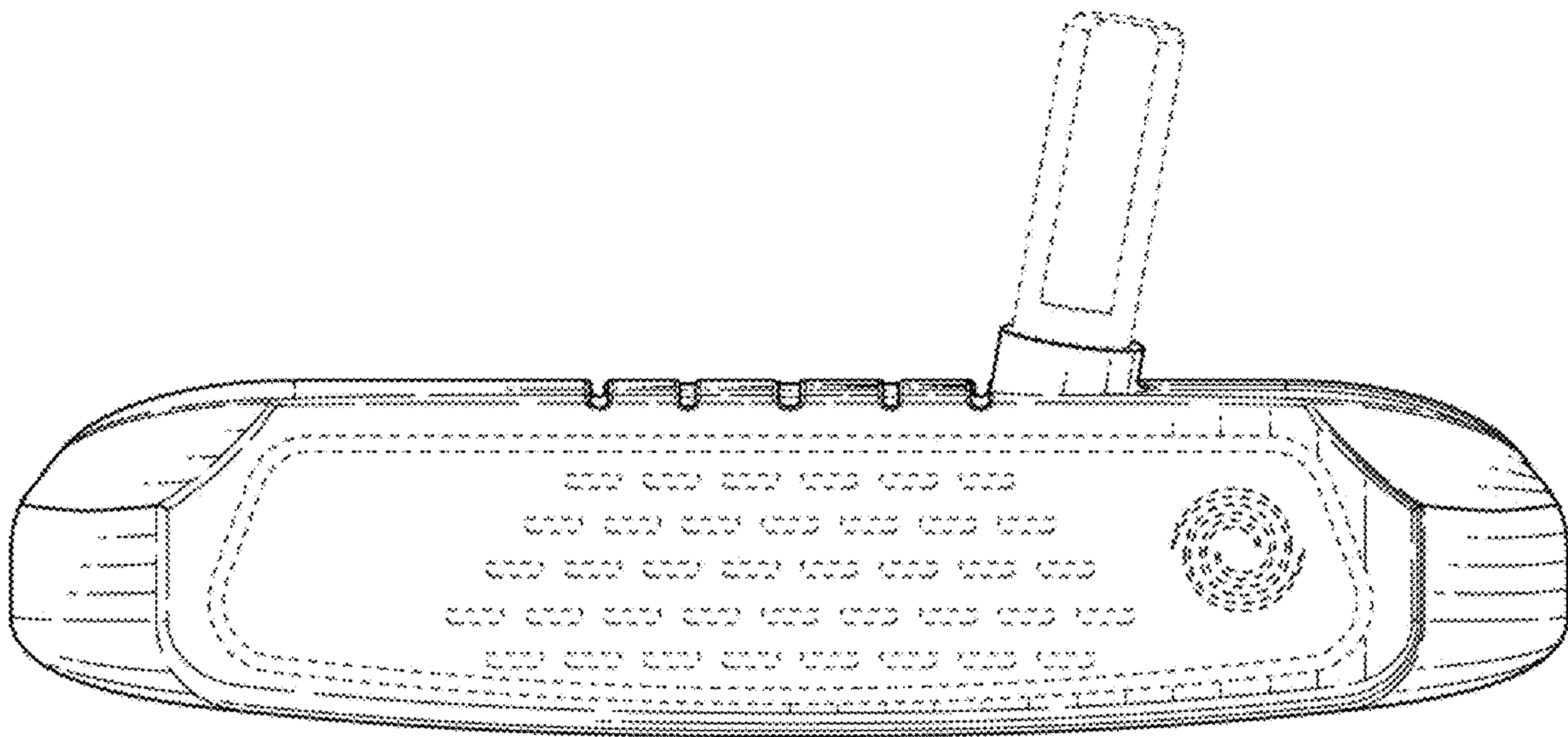


FIG. 3

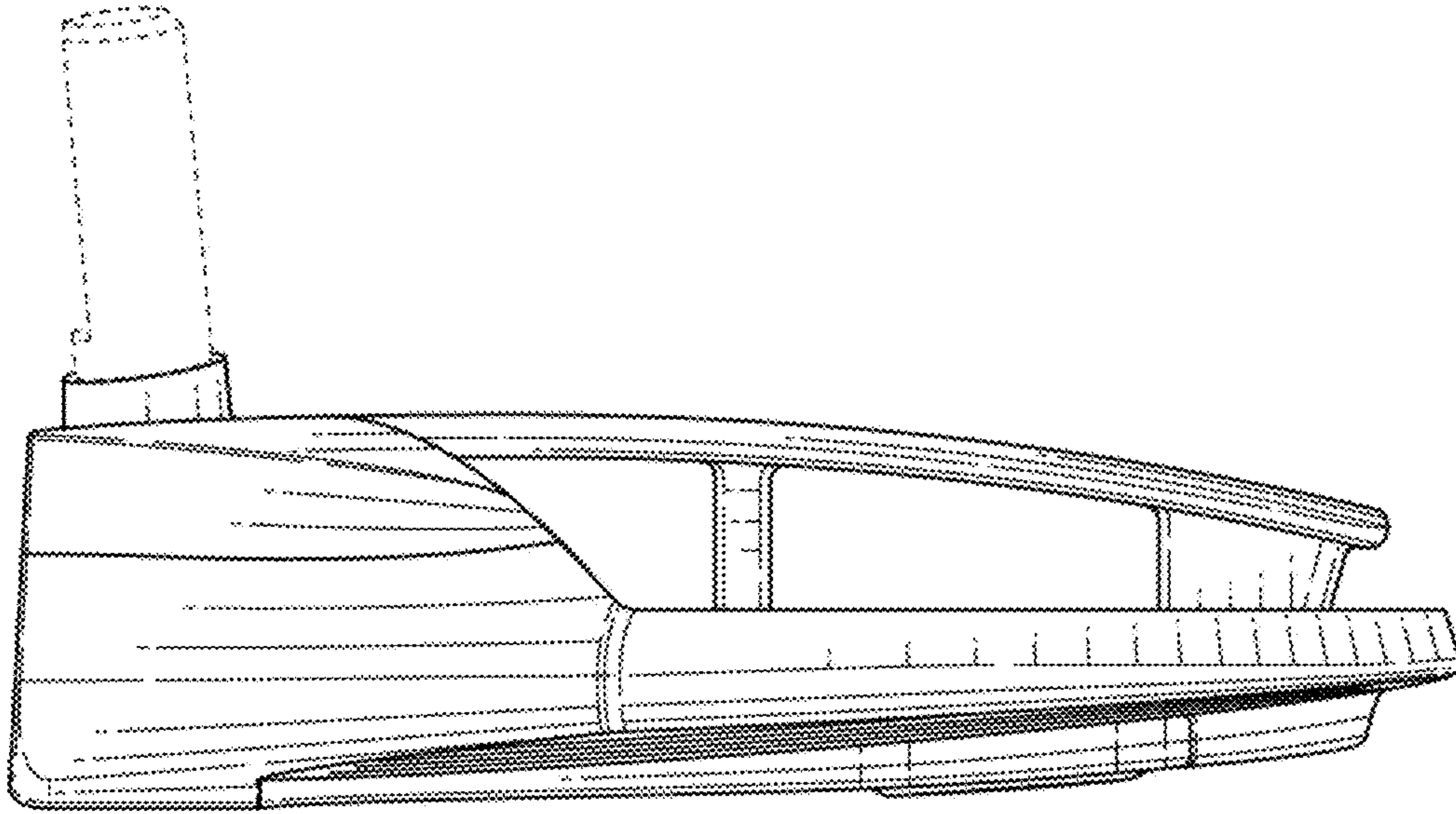


FIG. 4

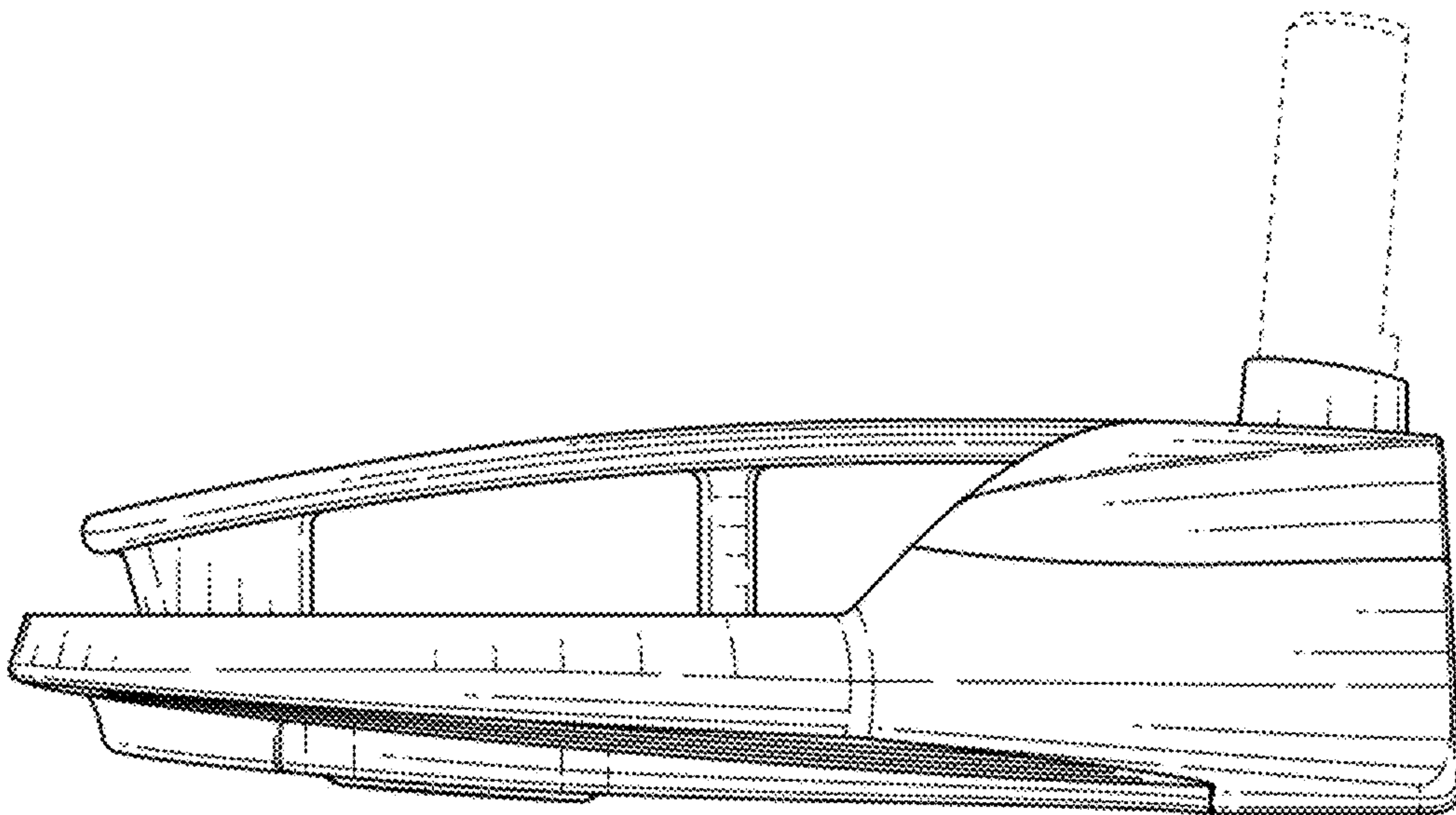


FIG. 5

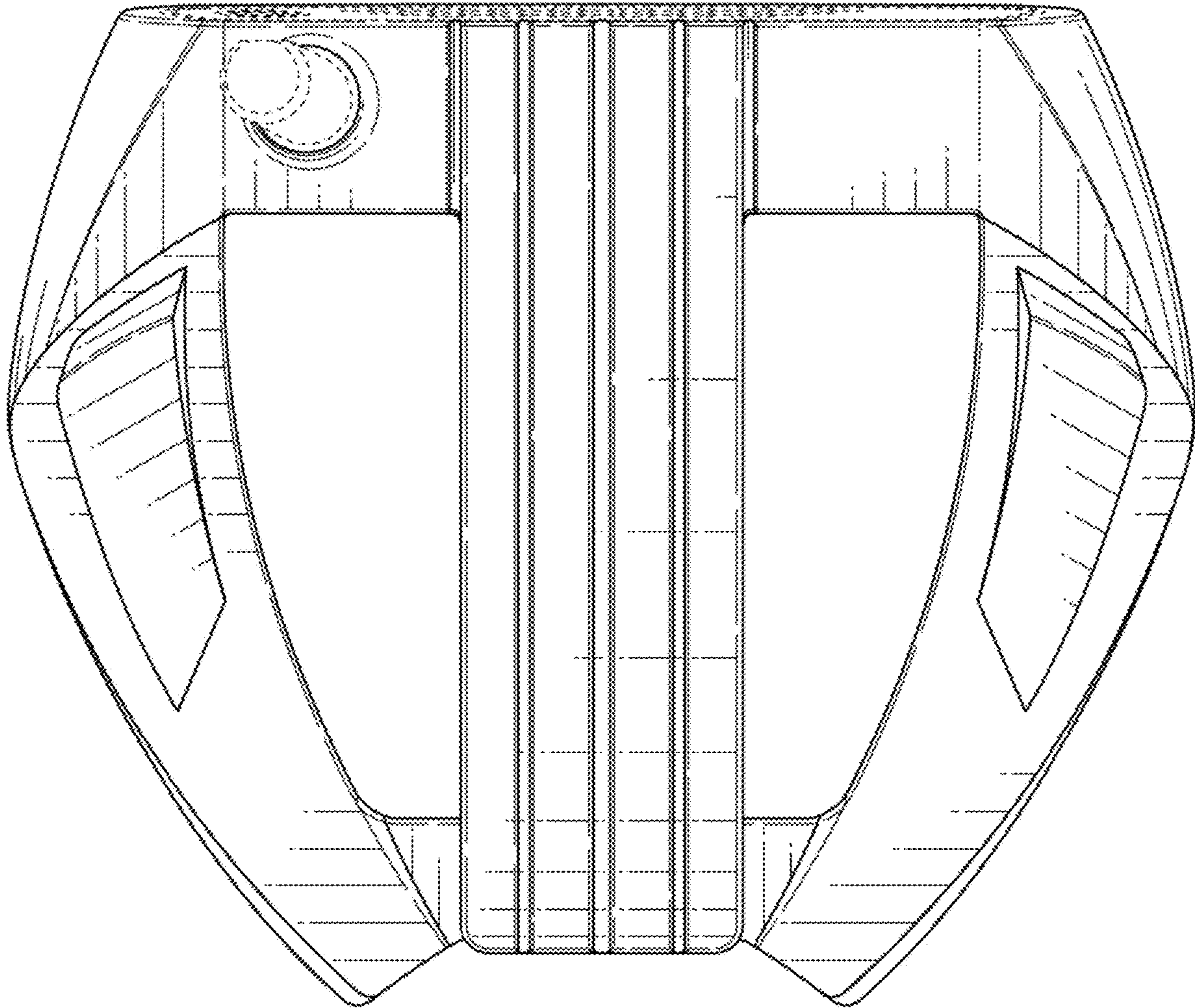


FIG. 6

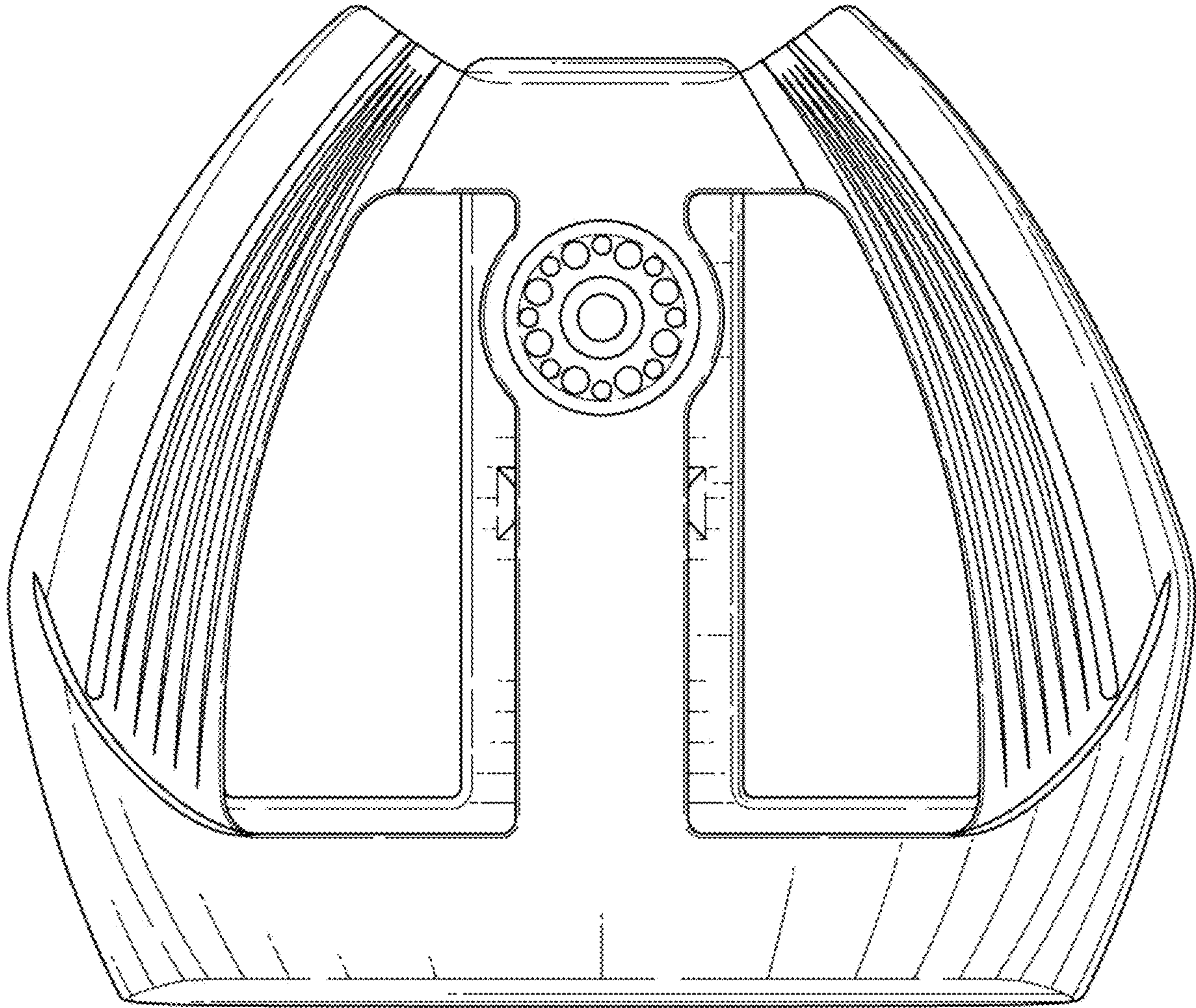


FIG. 7