



US00D958912S

(12) **United States Design Patent**  
**Parsons et al.**

(10) **Patent No.:** **US D958,912 S**  
(45) **Date of Patent:** **\*\* Jul. 26, 2022**

(54) **GOLF CLUB HEAD**

(71) Applicant: **PARSONS XTREME GOLF, LLC**,  
Scottsdale, AZ (US)

(72) Inventors: **Robert R. Parsons**, Scottsdale, AZ  
(US); **Matthew T. Andrews**, Tempe,  
AZ (US)

(73) Assignee: **PARSONS XTREME GOLF, LLC**,  
Scottsdale, AZ (US)

(\*\*) Term: **15 Years**

(21) Appl. No.: **29/760,203**

(22) Filed: **Nov. 30, 2020**

**Related U.S. Application Data**

(63) Continuation-in-part of application No. 29/755,703,  
filed on Oct. 22, 2020, which is a continuation-in-part  
(Continued)

(51) **LOC (13) Cl.** ..... **21-02**

(52) **U.S. Cl.**  
USPC ..... **D21/736**

(58) **Field of Classification Search**  
USPC ..... D21/736-746, 759  
(Continued)

(56) **References Cited**

**U.S. PATENT DOCUMENTS**

723,534 A 3/1903 Knight  
922,444 A 5/1909 Youds

(Continued)

**FOREIGN PATENT DOCUMENTS**

JP 2004223184 A 8/2004  
JP 2005160691 A 6/2005

(Continued)

**OTHER PUBLICATIONS**

PXG golf clubs google search; google.com; Apr. 29, 2022.\*

(Continued)

*Primary Examiner* — Mitchell I. Siegel

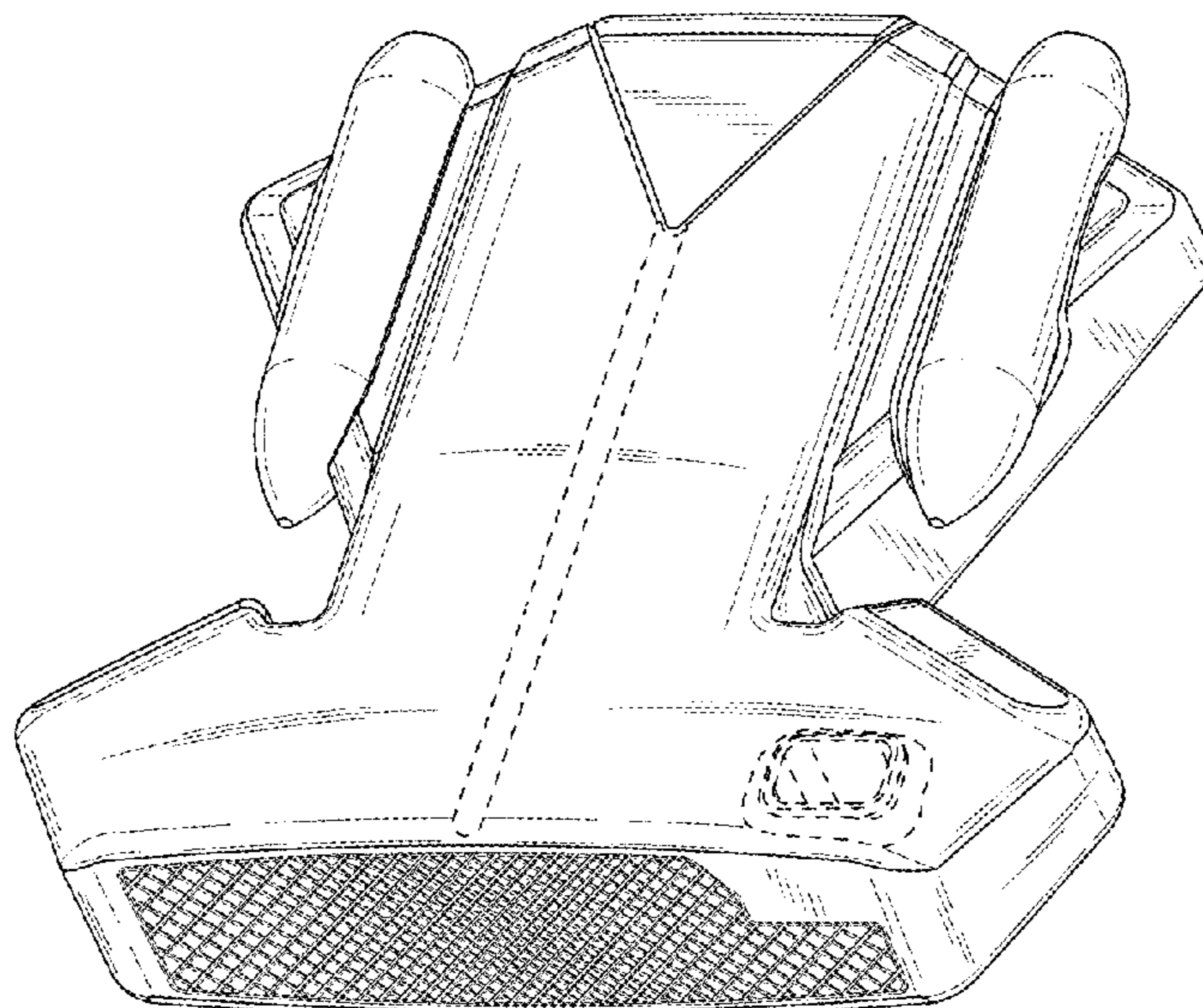
(57) **CLAIM**

The ornamental design for a golf club head, as shown and described.

**DESCRIPTION**

FIG. 1 is a top perspective view of a golf club head;  
FIG. 2 is a bottom perspective view of the golf club head of FIG. 1;  
FIG. 3 is a front elevational view of the golf club head of FIG. 1;  
FIG. 4 is a rear elevational view of the golf club head of FIG. 1;  
FIG. 5 is a top view of the golf club head of FIG. 1;  
FIG. 6 is a bottom view of the golf club head of FIG. 1;  
FIG. 7 is a left side view of the golf club head of FIG. 1;  
FIG. 8 is a right side view of the golf club head of FIG. 1;  
FIG. 9 is a top perspective view of a second embodiment of a golf club head;  
FIG. 10 is a bottom perspective view of the golf club head of FIG. 9;  
FIG. 11 is a front elevational view of the golf club head of FIG. 9;  
FIG. 12 is a rear elevational view of the golf club head of FIG. 9;  
FIG. 13 is a top view of the golf club head of FIG. 9;  
FIG. 14 is a bottom view of the golf club head of FIG. 9;  
FIG. 15 is a left side view of the golf club head of FIG. 9;  
and,  
FIG. 16 is a right side view of the golf club head of FIG. 9.  
The broken line showing is included for the purpose of illustrating unclaimed subject matter and forms no part of the claimed design.

**1 Claim, 8 Drawing Sheets**



**Related U.S. Application Data**

of application No. 29/748,024, filed on Aug. 26, 2020, now abandoned.

(58) **Field of Classification Search**

CPC ..... A63B 53/00; A63B 53/04; A63B 53/007; A63B 53/065; A63B 53/0487; A63B 60/00; A63B 60/46

See application file for complete search history.

(56)

**References Cited**

U.S. PATENT DOCUMENTS

1,094,599 A 4/1914 Samson  
 D57,980 S 5/1921 Kraeuter  
 D63,284 S 11/1923 Challis  
 RE19,178 E 5/1934 Spiker  
 4,043,562 A 8/1977 Shillington  
 D248,783 S 8/1978 Long  
 4,340,230 A 7/1982 Churchward  
 D281,092 S 10/1985 Mills  
 4,754,977 A 7/1988 Sahm  
 4,869,507 A 9/1989 Sahm  
 4,964,641 A 10/1990 Miesch et al.  
 D313,451 S 1/1991 Shearer  
 D335,317 S 5/1993 Shearer  
 D335,692 S 5/1993 Antonious  
 D336,757 S 6/1993 Antonious  
 5,275,412 A 1/1994 Innes  
 D350,582 S 9/1994 Miansian et al.  
 5,390,919 A 2/1995 Stubbs et al.  
 D356,131 S 3/1995 Trimble  
 D360,444 S 7/1995 Takahashi et al.  
 5,429,366 A 7/1995 McCabe  
 D363,101 S 10/1995 Sturm  
 D364,665 S 11/1995 Goodrich  
 D365,864 S 1/1996 Sturm  
 5,489,097 A 2/1996 Simmons  
 D368,751 S 4/1996 Rife  
 D369,393 S 4/1996 Takahashi et al.  
 5,571,053 A 11/1996 Lane  
 D378,688 S 4/1997 Cameron  
 D380,514 S 7/1997 Markley  
 D385,609 S 10/1997 Cameron  
 5,683,307 A 11/1997 Rife  
 D388,143 S 12/1997 Huan-Chiang  
 D389,207 S 1/1998 Cameron  
 D398,685 S 9/1998 Masuda  
 5,807,190 A 9/1998 Krumme et al.  
 D399,290 S 10/1998 Sizemore, Jr.  
 D399,911 S 10/1998 Nicolette et al.  
 5,839,974 A 11/1998 McAllister  
 D405,836 S 2/1999 Nicolette et al.  
 D409,701 S 5/1999 Ashcraft et al.  
 D411,275 S 6/1999 Bottema et al.  
 5,924,938 A 7/1999 Hines  
 D415,809 S 10/1999 Bottema et al.  
 D416,062 S 11/1999 Solheim et al.  
 D416,969 S 11/1999 Solheim et al.  
 D416,970 S 11/1999 Solheim et al.  
 6,007,434 A 12/1999 Baker et al.  
 D421,473 S 3/2000 Solheim et al.  
 D422,655 S 4/2000 Hicks  
 6,050,903 A 4/2000 Lake  
 D426,276 S 6/2000 Besnard et al.  
 6,089,993 A 7/2000 Woodward et al.  
 D429,302 S 8/2000 Antonious  
 6,110,057 A 8/2000 McKinnon  
 D430,914 S 9/2000 Antonious  
 D431,853 S 10/2000 Antonious  
 D431,854 S 10/2000 Cameron  
 D432,192 S 10/2000 Hicks  
 D436,151 S 1/2001 Nicolette et al.  
 D437,374 S 2/2001 Cameron  
 D441,820 S 5/2001 Nicolette et al.  
 D443,668 S 6/2001 Nicolette et al.

D443,905 S 6/2001 Nicolette et al.  
 D444,833 S 7/2001 Wells et al.  
 D444,835 S 7/2001 Wahl et al.  
 6,257,994 B1 7/2001 Antonious  
 6,264,571 B1 7/2001 Lekavich  
 D449,664 S 10/2001 Beebe et al.  
 D449,865 S 10/2001 Fife, Jr. et al.  
 D450,799 S 11/2001 Nicolette et al.  
 D451,973 S 12/2001 Wells et al.  
 6,348,014 B1 2/2002 Chiu  
 6,354,959 B1 3/2002 Nicolette et al.  
 6,394,910 B1 5/2002 McCarthy  
 D472,949 S 4/2003 Serrano  
 D474,821 S 5/2003 Wells et al.  
 D474,949 S 5/2003 Schaffeld et al.  
 D482,087 S 11/2003 Burrows  
 6,652,390 B2 11/2003 Bradford  
 D483,086 S 12/2003 Schweigert et al.  
 D486,539 S 2/2004 Burrows  
 D486,872 S 2/2004 Schweigert et al.  
 D488,200 S 4/2004 Olsavsky et al.  
 D490,487 S 5/2004 Burrows  
 D498,276 S 11/2004 Schweigert et al.  
 D500,823 S 1/2005 Aldrich  
 6,902,496 B2 6/2005 Solheim et al.  
 6,902,498 B2 6/2005 Sullivan et al.  
 D511,801 S 11/2005 Garcia  
 D512,114 S 11/2005 Garcia  
 D512,116 S 11/2005 Mirafior et al.  
 6,988,955 B2 1/2006 Stoakes  
 6,988,956 B2 1/2006 Cover et al.  
 D520,088 S 5/2006 Parr  
 D531,242 S 10/2006 Adams  
 7,125,341 B1 10/2006 D'Eath  
 D532,067 S 11/2006 Soracco et al.  
 7,153,220 B2 12/2006 Lo  
 D534,595 S 1/2007 Hasebe  
 7,156,752 B1 1/2007 Bennett  
 D536,401 S 2/2007 Kawami  
 D536,403 S 2/2007 Kawami  
 D537,898 S 3/2007 Kuan et al.  
 D538,371 S 3/2007 Kawami  
 7,204,765 B2 4/2007 Cover et al.  
 D542,869 S 5/2007 Adams  
 D543,598 S 5/2007 Kuan et al.  
 D543,601 S 5/2007 Kawami  
 D555,219 S 11/2007 Lin  
 D556,277 S 11/2007 Broom  
 7,309,297 B1 12/2007 Solari  
 D561,854 S 2/2008 Morris  
 7,331,876 B2 2/2008 Klein  
 D565,137 S \* 3/2008 Oldknow ..... D21/736  
 7,351,162 B2 4/2008 Soracco et al.  
 D569,461 S 5/2008 Morris  
 D569,930 S 5/2008 Nehrbas  
 7,396,289 B2 7/2008 Soracco et al.  
 D577,085 S 9/2008 Nicolette et al.  
 D577,086 S 9/2008 Nicolette et al.  
 D579,506 S 10/2008 Nicolette et al.  
 D579,995 S 11/2008 Nicolette et al.  
 D582,497 S 12/2008 Rollinson  
 7,473,189 B2 1/2009 Schweigert et al.  
 7,491,131 B2 2/2009 Vinton  
 D594,921 S 6/2009 Bettinardi  
 D595,370 S \* 6/2009 Ines ..... D21/736  
 D595,793 S 7/2009 Rollinson  
 D599,425 S 9/2009 Laub  
 D599,867 S 9/2009 Teramoto  
 D600,295 S \* 9/2009 Meeks ..... D21/744  
 D600,763 S 9/2009 Cameron  
 D601,214 S 9/2009 Serrano et al.  
 D607,951 S 1/2010 Teramoto  
 7,744,485 B2 6/2010 Jones et al.  
 D620,993 S 8/2010 Laub  
 D621,461 S 8/2010 Serrano et al.  
 D623,709 S 9/2010 Serrano et al.  
 D624,616 S \* 9/2010 Rife ..... D21/742  
 D624,617 S \* 9/2010 Rife ..... D21/742  
 D631,925 S 2/2011 Broom

(56)

References Cited

U.S. PATENT DOCUMENTS

7,887,432 B2 2/2011 Jones et al.  
 D633,964 S 3/2011 Teramoto  
 7,909,707 B2 3/2011 Klein  
 7,918,745 B2 4/2011 Morris et al.  
 7,927,226 B1 4/2011 Twitty  
 D638,891 S 5/2011 Nicolette et al.  
 7,942,758 B2 5/2011 Nakamura  
 D639,369 S 6/2011 Miyamichi  
 D642,643 S 8/2011 Nicolette et al.  
 D643,485 S 8/2011 Nicolette et al.  
 D643,892 S 8/2011 McGrorty  
 D645,104 S 9/2011 Nicolette et al.  
 8,096,039 B2 1/2012 Soracco et al.  
 D653,718 S 2/2012 Stokke et al.  
 8,109,841 B2 2/2012 Miyamichi  
 D655,361 S 3/2012 Ramsauer  
 D661,753 S 6/2012 Cameron et al.  
 D666,260 S 8/2012 Cynn  
 D672,418 S 12/2012 Rollinson  
 8,371,958 B2 2/2013 Treadwell  
 8,376,878 B2 2/2013 Bennett et al.  
 D688,339 S 8/2013 Hilton et al.  
 D688,341 S 8/2013 Rollinson  
 D691,226 S 10/2013 Hilton et al.  
 8,608,590 B2 12/2013 Hackel et al.  
 D699,308 S 2/2014 Rollinson  
 8,696,492 B1 4/2014 Hocknell et al.  
 D704,782 S 5/2014 Rollinson  
 8,721,472 B2 5/2014 Kuan et al.  
 8,790,193 B2 7/2014 Serrano et al.  
 D711,483 S 8/2014 Wong  
 D715,388 S 10/2014 Serrano et al.  
 D722,350 S 2/2015 Schweigert  
 D722,351 S 2/2015 Parsons et al.  
 D722,352 S 2/2015 Nicolette et al.  
 D723,120 S 2/2015 Nicolette  
 D724,164 S 3/2015 Schweigert et al.  
 D725,208 S 3/2015 Schweigert  
 D726,265 S 4/2015 Nicolette  
 D726,846 S 4/2015 Schweigert  
 D730,462 S 5/2015 Becktor et al.  
 D732,122 S 6/2015 Becktor  
 D732,618 S 6/2015 Becktor et al.  
 D733,234 S 6/2015 Nicolette  
 D735,283 S 7/2015 Solheim et al.  
 9,108,088 B2 8/2015 Serrano et al.  
 D738,447 S 9/2015 Schweigert  
 D738,449 S 9/2015 Schweigert  
 D739,487 S 9/2015 Schweigert  
 D741,426 S 10/2015 Schweigert  
 D746,926 S 1/2016 Parsons et al.  
 D748,213 S 1/2016 Parsons et al.  
 D748,215 S 1/2016 Parsons et al.  
 9,233,283 B2 1/2016 Schweigert  
 9,265,996 B1 2/2016 Abbott et al.  
 D752,697 S 3/2016 Claveran  
 D753,252 S 4/2016 Schweigert  
 9,440,124 B2 9/2016 Parsons et al.  
 9,498,685 B2 11/2016 Abbott et al.  
 9,566,484 B1 2/2017 Abbott et al.  
 D783,745 S \* 4/2017 Chen ..... D21/743  
 D791,891 S 7/2017 Davis  
 D794,146 S 8/2017 Davis  
 D798,975 S 10/2017 Becktor  
 D798,976 S 10/2017 Becktor  
 D798,977 S 10/2017 Becktor  
 D798,978 S 10/2017 Becktor  
 D798,979 S 10/2017 Becktor  
 D798,980 S 10/2017 Becktor  
 D798,981 S 10/2017 Becktor et al.  
 D799,619 S 10/2017 Becktor et al.  
 D802,073 S 11/2017 Toulon  
 D809,616 S \* 2/2018 Toulon ..... D21/736  
 D812,163 S 3/2018 Kroloff  
 9,987,530 B2 6/2018 Jertson et al.

D835,217 S \* 12/2018 Nicolette ..... D21/736  
 10,173,105 B2 1/2019 Myers et al.  
 D839,977 S 2/2019 Rollinson et al.  
 D844,085 S \* 3/2019 Nicolette ..... D21/743  
 D844,723 S \* 4/2019 Nicolette ..... D21/743  
 D861,091 S \* 9/2019 Glorioso ..... D21/743  
 D877,831 S \* 3/2020 Cameron ..... D21/736  
 D892,243 S \* 8/2020 Rollinson ..... D21/743  
 D895,037 S \* 9/2020 Clarke ..... D21/736  
 D896,903 S \* 9/2020 Schweigert ..... D21/743  
 D907,730 S \* 1/2021 Rollinson ..... D21/759  
 D909,504 S \* 2/2021 Schweigert ..... D21/736  
 D909,505 S \* 2/2021 Schweigert ..... D21/736  
 D909,506 S \* 2/2021 Schweigert ..... D21/736  
 D919,722 S \* 5/2021 Parsons ..... D21/736  
 D920,452 S \* 5/2021 Parsons ..... D21/736  
 D923,729 S \* 6/2021 Nicolette ..... D21/736  
 D924,345 S \* 7/2021 Nicolette ..... D21/736  
 D924,346 S \* 7/2021 Nicolette ..... D21/736  
 D925,673 S \* 7/2021 Parsons ..... D21/736  
 D927,619 S \* 8/2021 Andrews ..... D21/736  
 D928,259 S \* 8/2021 Andrews ..... D21/736  
 D931,962 S \* 9/2021 Wang ..... D21/743  
 D934,969 S \* 11/2021 Toulon ..... D21/736  
 D940,804 S \* 1/2022 Andrews ..... D21/759  
 D944,348 S \* 2/2022 Kim ..... D21/743  
 D945,542 S \* 3/2022 Andrews ..... D21/736  
 D949,269 S \* 4/2022 Andrews ..... D21/736  
 D949,270 S \* 4/2022 Andrews ..... D21/736  
 11,298,597 B2 \* 4/2022 Parsons ..... A63B 53/0416  
 D951,379 S \* 5/2022 Andrews ..... D21/736  
 2004/0138003 A1 7/2004 Grace  
 2004/0180730 A1 9/2004 Franklin et al.  
 2006/0052178 A1 3/2006 Franklin et al.  
 2006/0094522 A1 5/2006 Tang et al.  
 2006/0223649 A1 \* 10/2006 Rife ..... A63B 60/02  
 473/340  
 2007/0129163 A1 6/2007 Solari  
 2007/0135229 A1 6/2007 Lo et al.  
 2007/0142122 A1 6/2007 Bonneau  
 2007/0207875 A1 9/2007 Kuan et al.  
 2007/0238548 A1 10/2007 Johnson  
 2008/0139333 A1 6/2008 Klein  
 2008/0146372 A1 6/2008 John  
 2008/0176672 A1 7/2008 Roach et al.  
 2009/0029800 A1 1/2009 Jones et al.  
 2010/0255922 A1 10/2010 Lueders  
 2011/0165959 A1 7/2011 Klein  
 2013/0165256 A1 6/2013 Stevenson  
 2013/0210537 A1 8/2013 Ainscough et al.  
 2015/0057100 A1 2/2015 Serrano et al.  
 2015/0258390 A1 9/2015 DeFrancesco, Jr.  
 2015/0306477 A1 10/2015 Parsons et al.  
 2016/0016050 A1 1/2016 Rife  
 2016/0346649 A1 12/2016 Jertson et al.  
 2018/0001163 A1 1/2018 Becktor et al.  
 2018/0311545 A1 \* 11/2018 Lambeth ..... A63B 53/0487

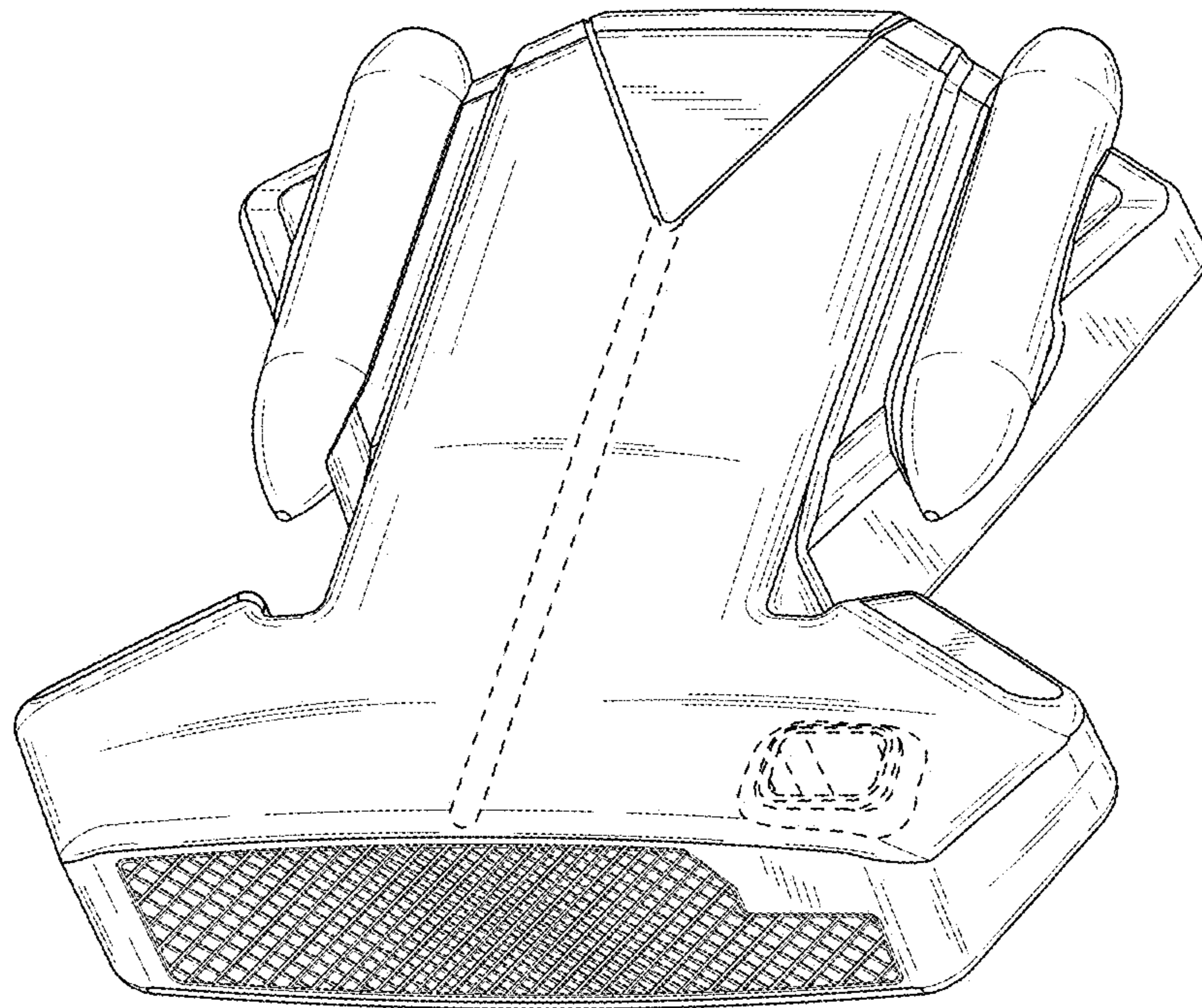
FOREIGN PATENT DOCUMENTS

KR 200377377 Y1 3/2005  
 KR 200403045 Y1 12/2005  
 KR 20100065481 A 6/2010  
 KR 101773069 B1 8/2017

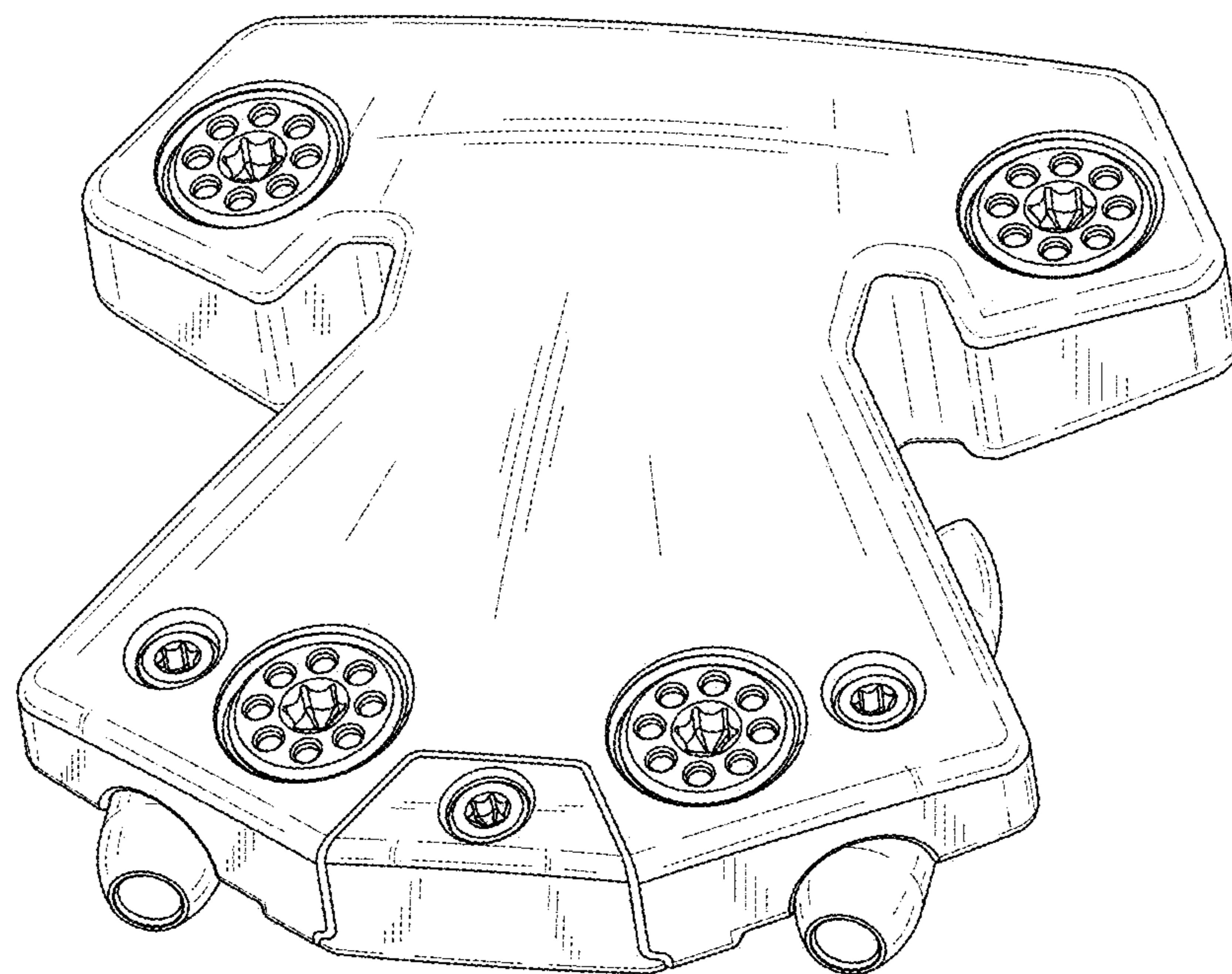
OTHER PUBLICATIONS

PXG.com; Apr. 29, 2022.\*  
 Plugged In Golf (2015 Bettinardi Putters Review) [online]. Mar. 3, 2015, [retrieve Nov. 25, 2019].  
 TourSpecGolf (Gold's Factory Multi Weighted Custom Putter), Published Nov. 20, 2010 [http://blog.tourSpecgolf.com/golds-factory-multi-weighted-custom-putter/], Retrieved May 17, 2020.  
 U.S. Appl. No. 29/523,587, Schweigert, "Golf Club Head," filed Apr. 10, 2015.

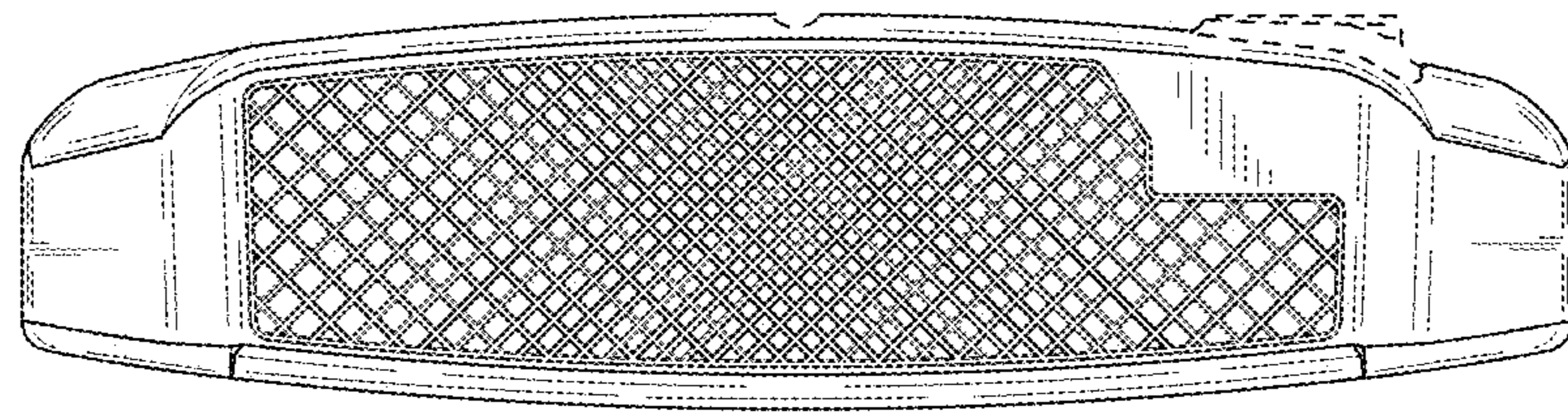
\* cited by examiner



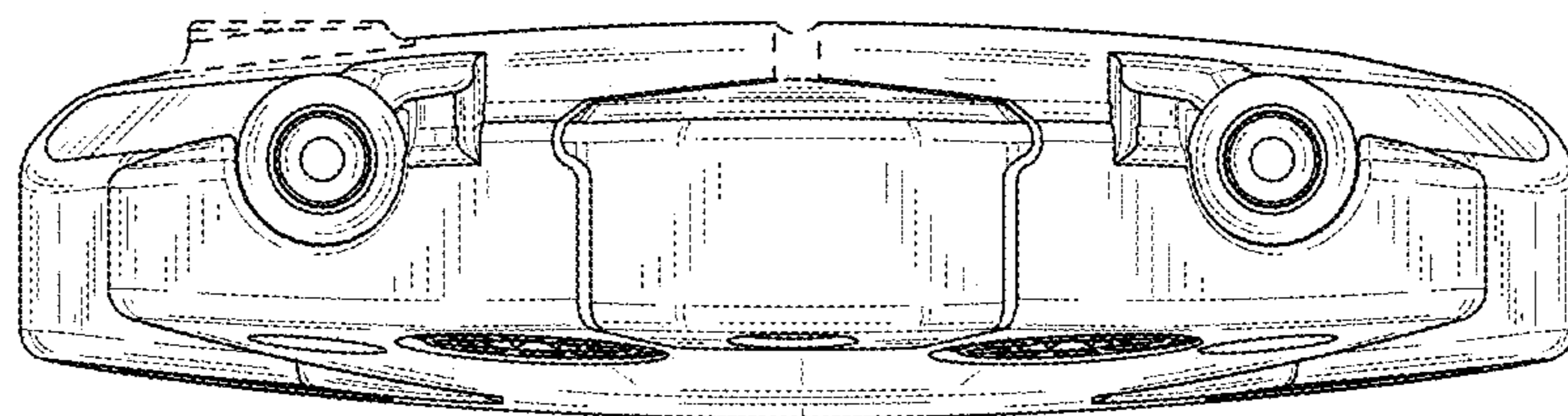
**FIG. 1**



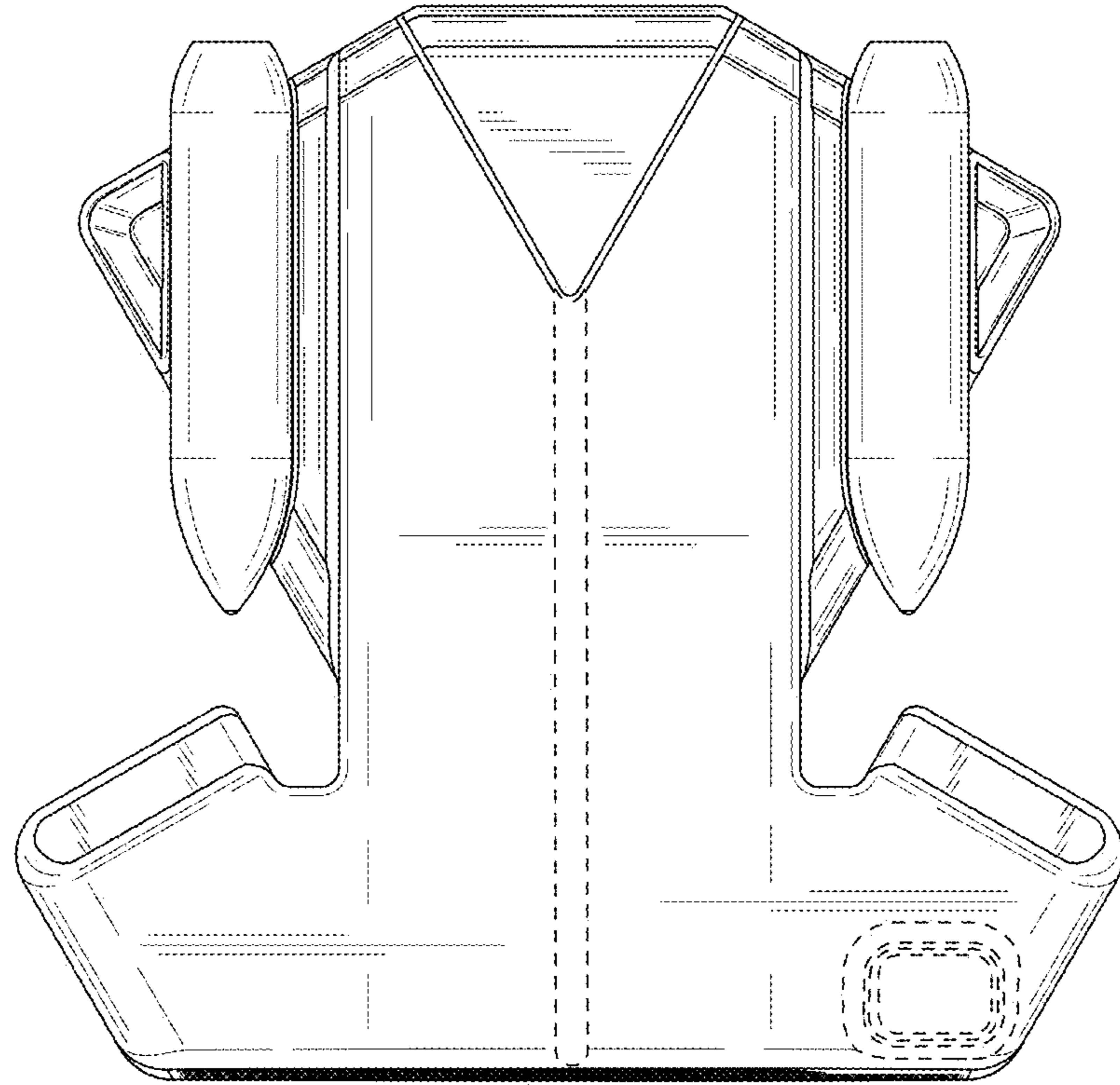
**FIG. 2**



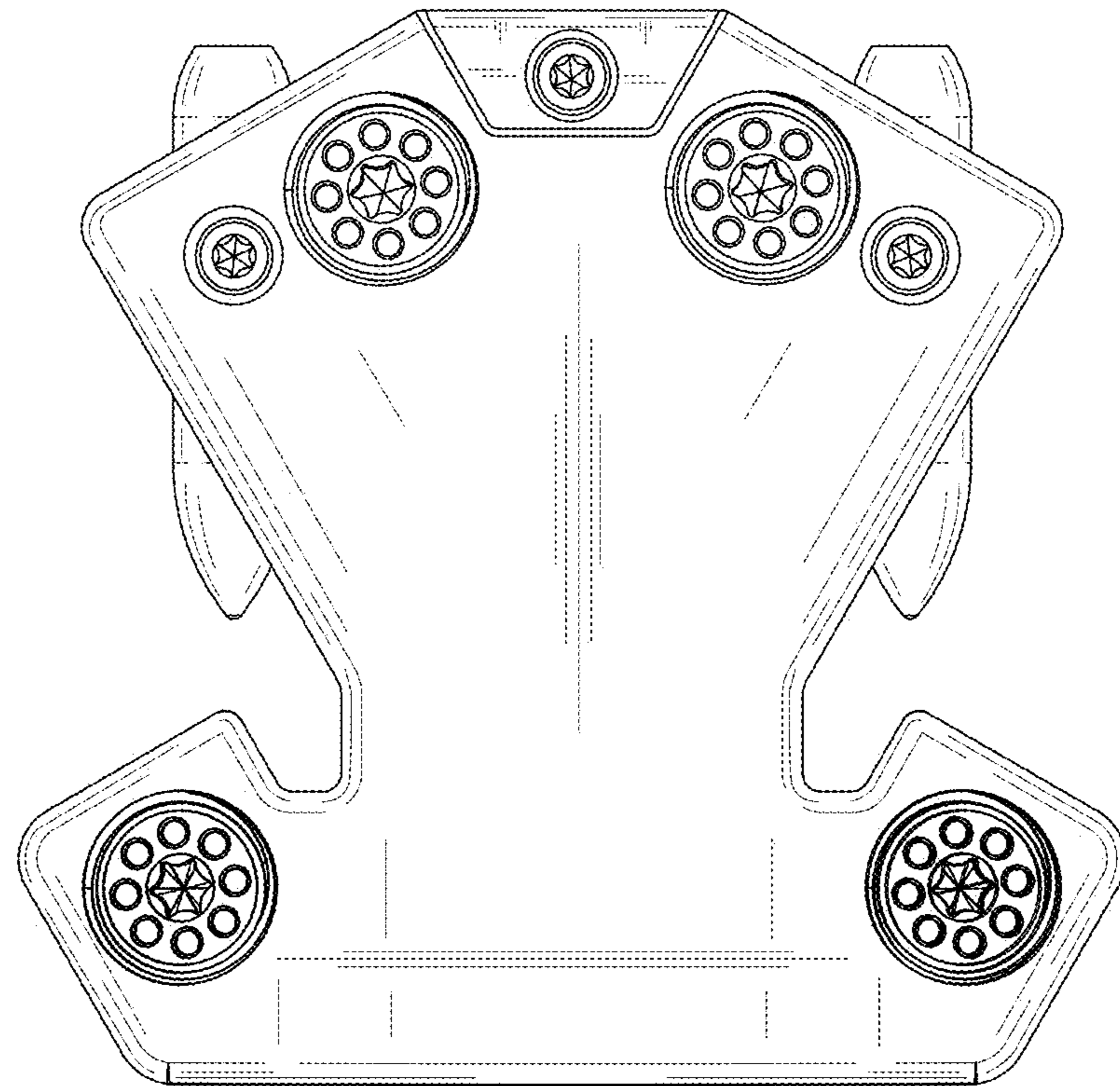
**FIG. 3**



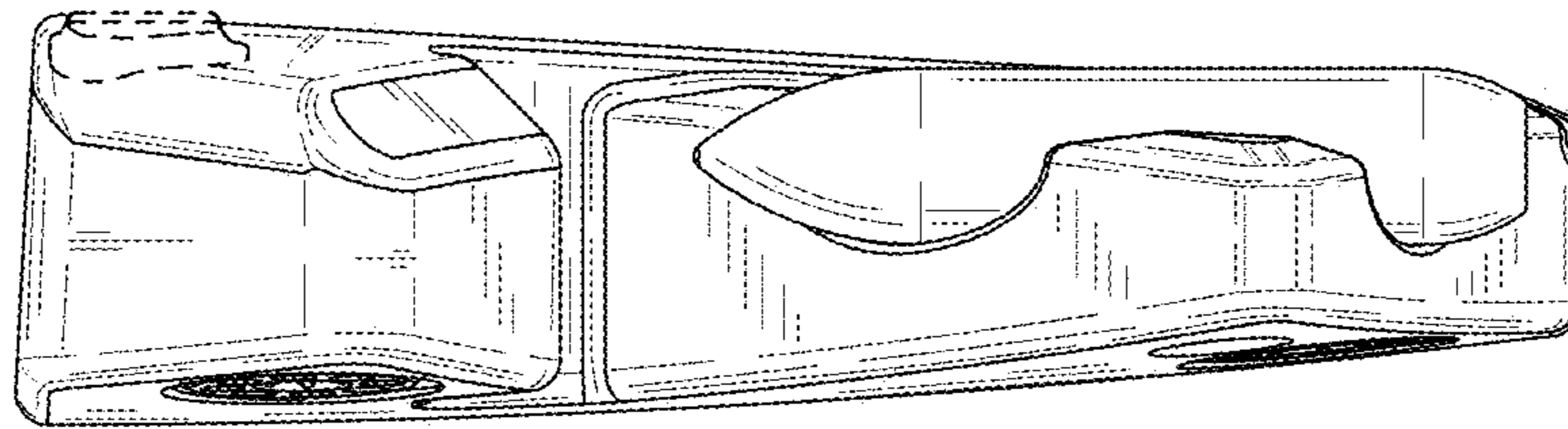
**FIG. 4**



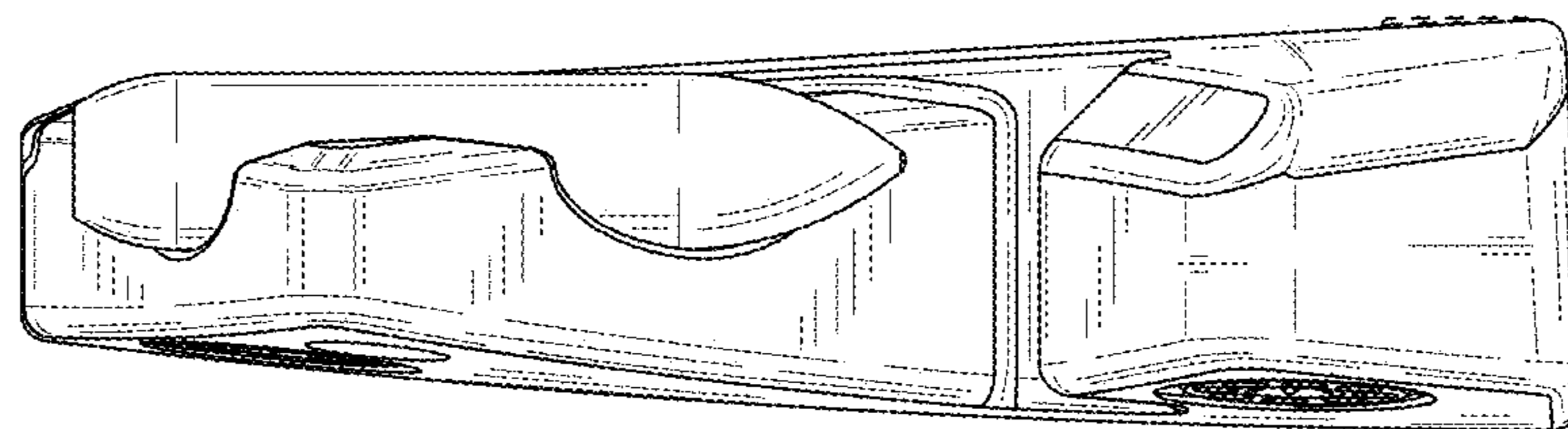
**FIG. 5**



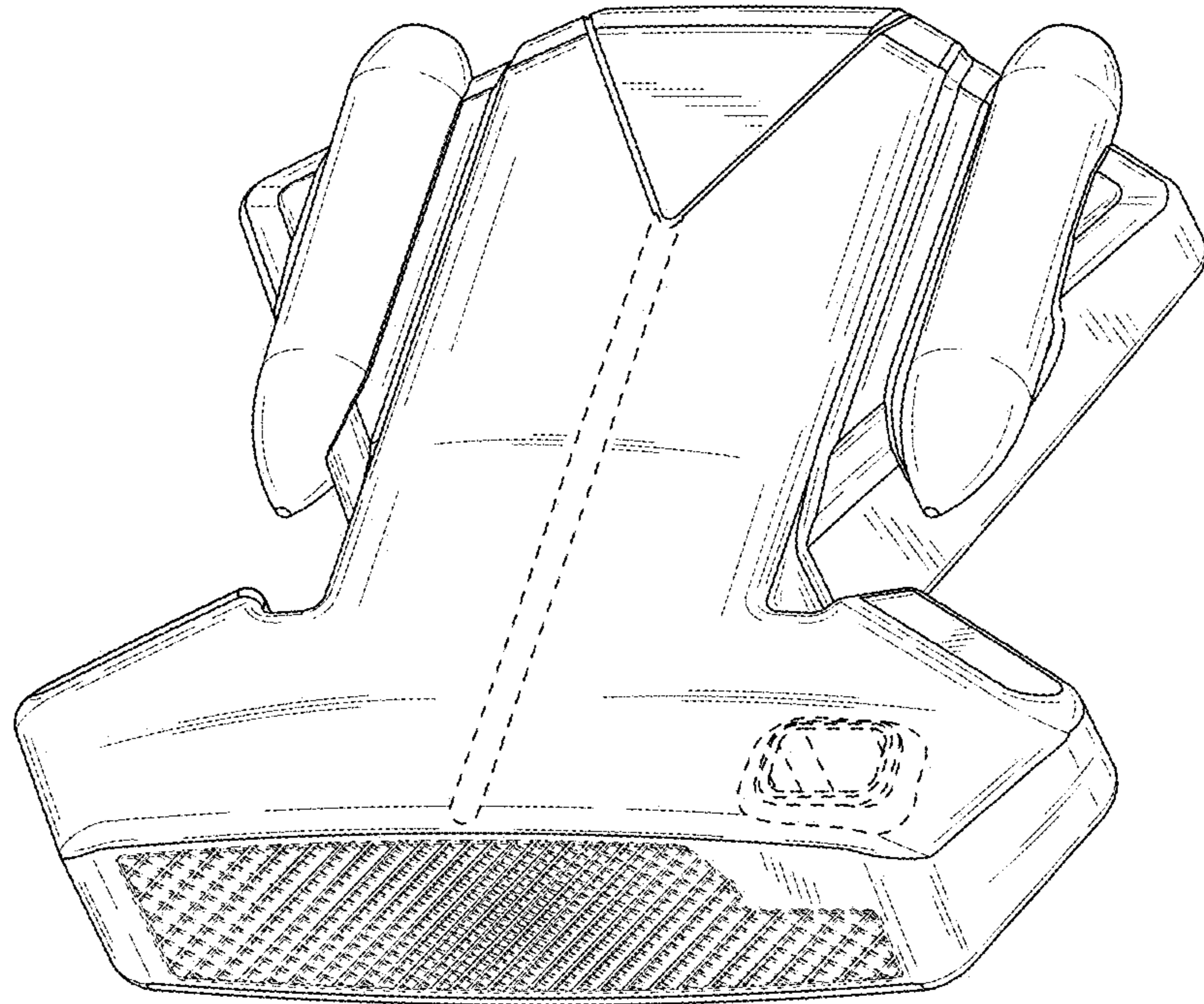
**FIG. 6**



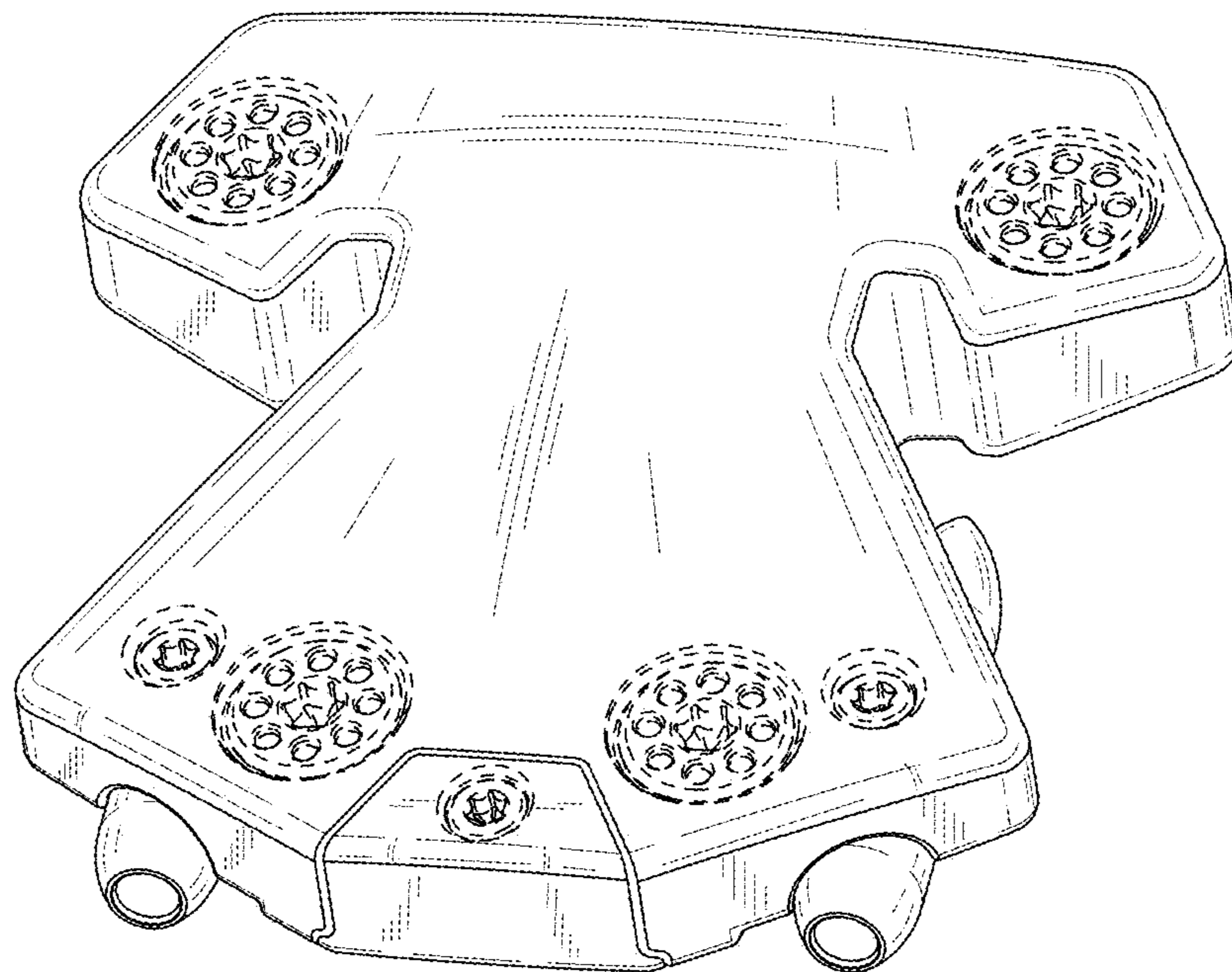
**FIG. 7**



**FIG. 8**

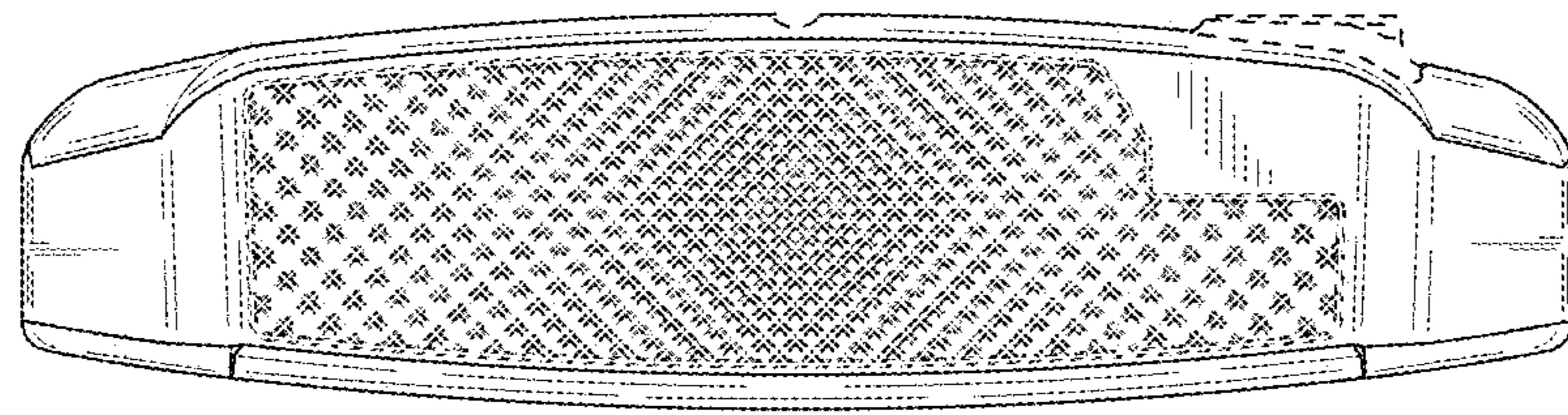


**FIG. 9**

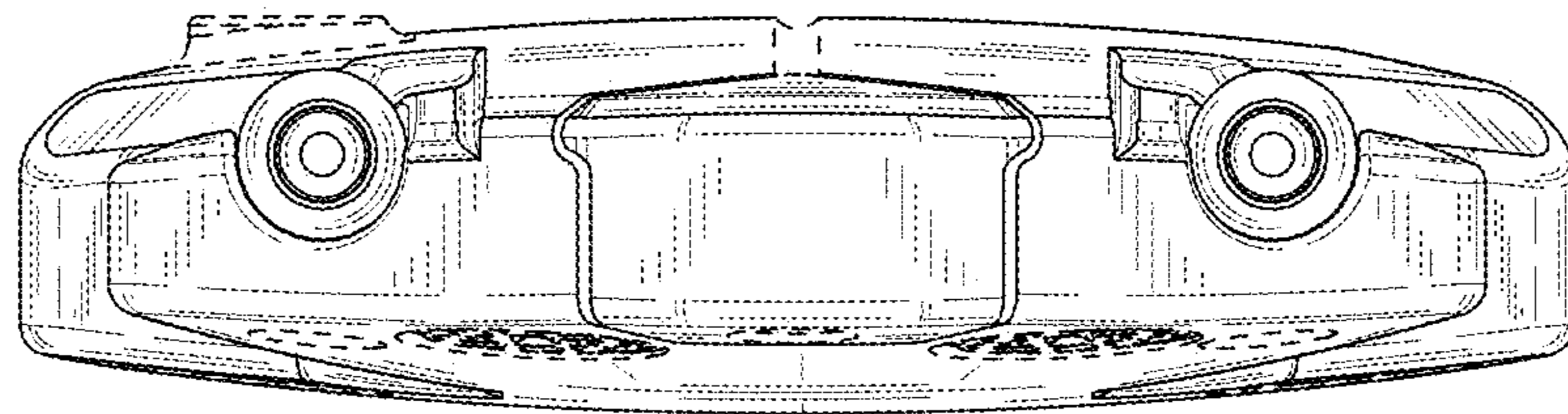


**FIG. 10**

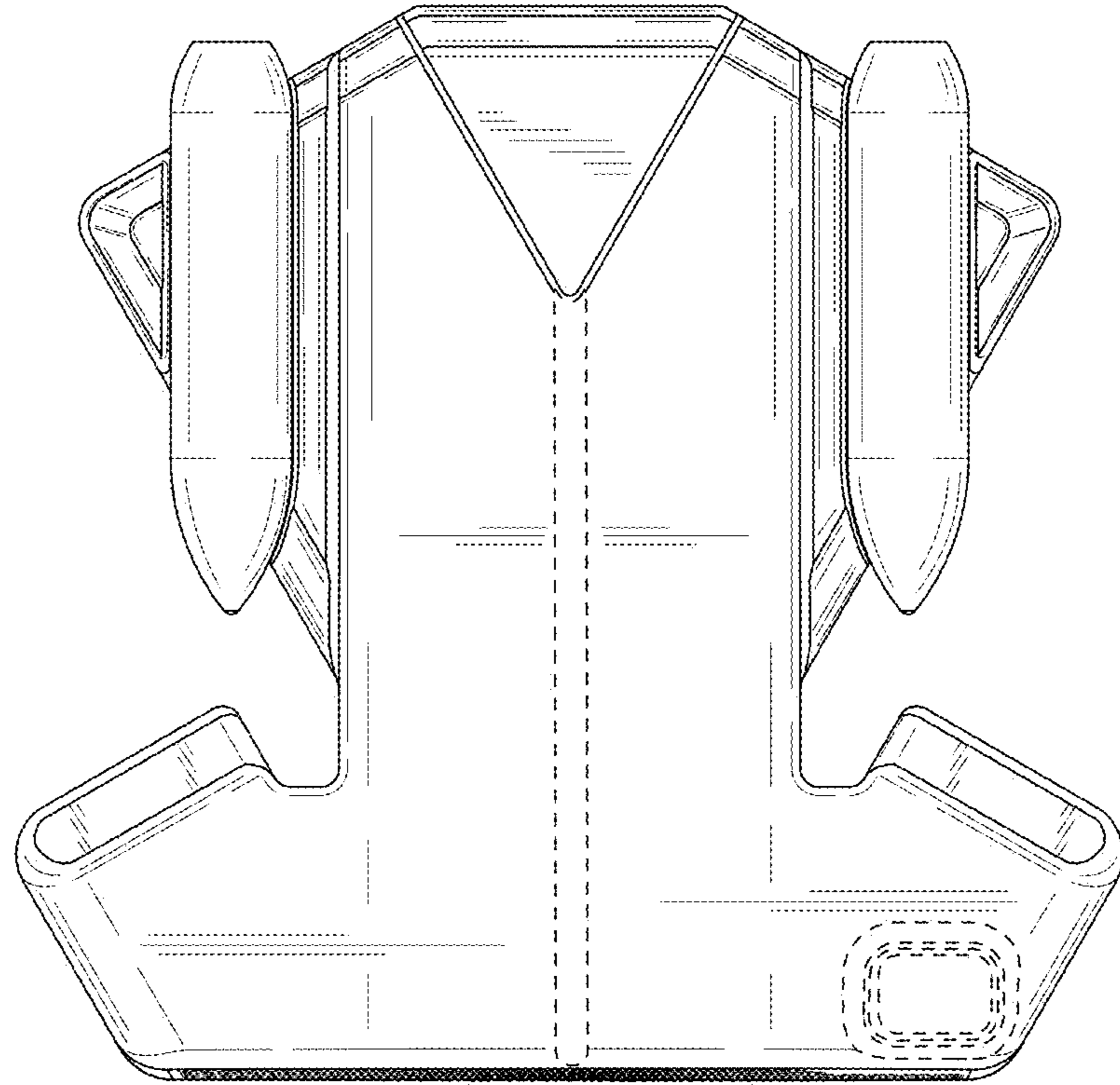




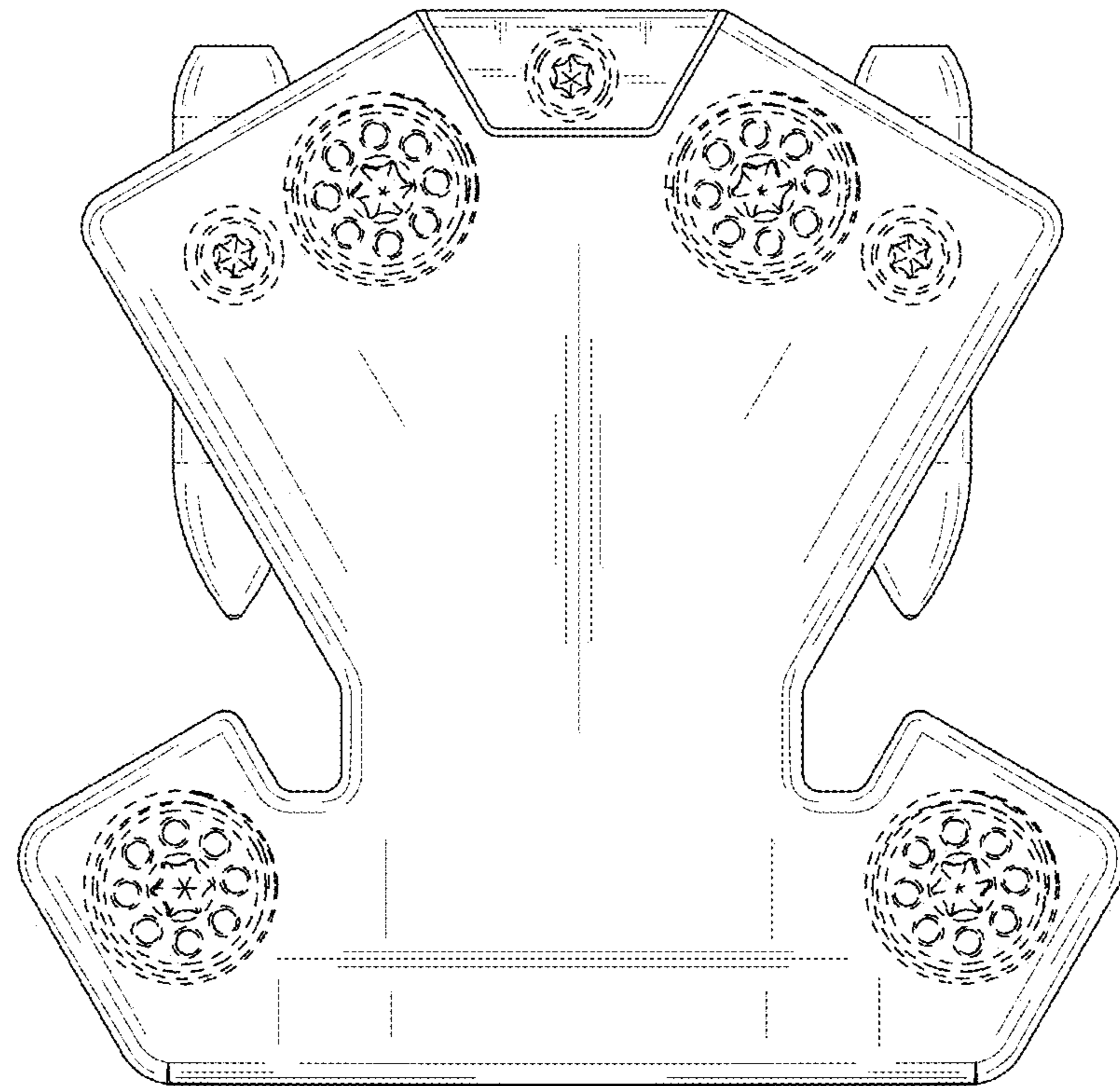
**FIG. 11**



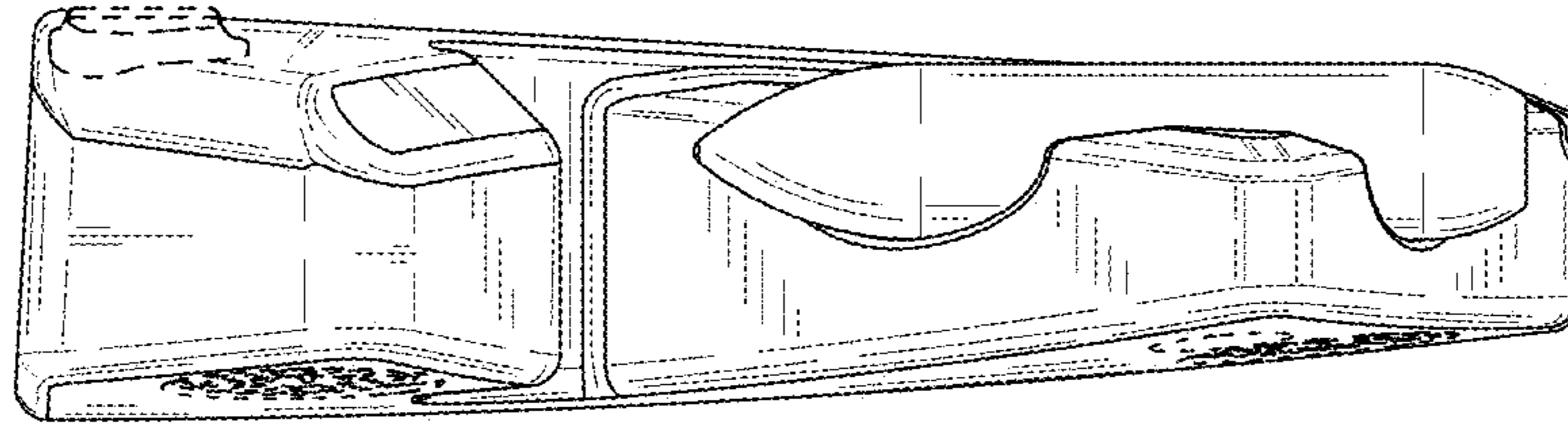
**FIG. 12**



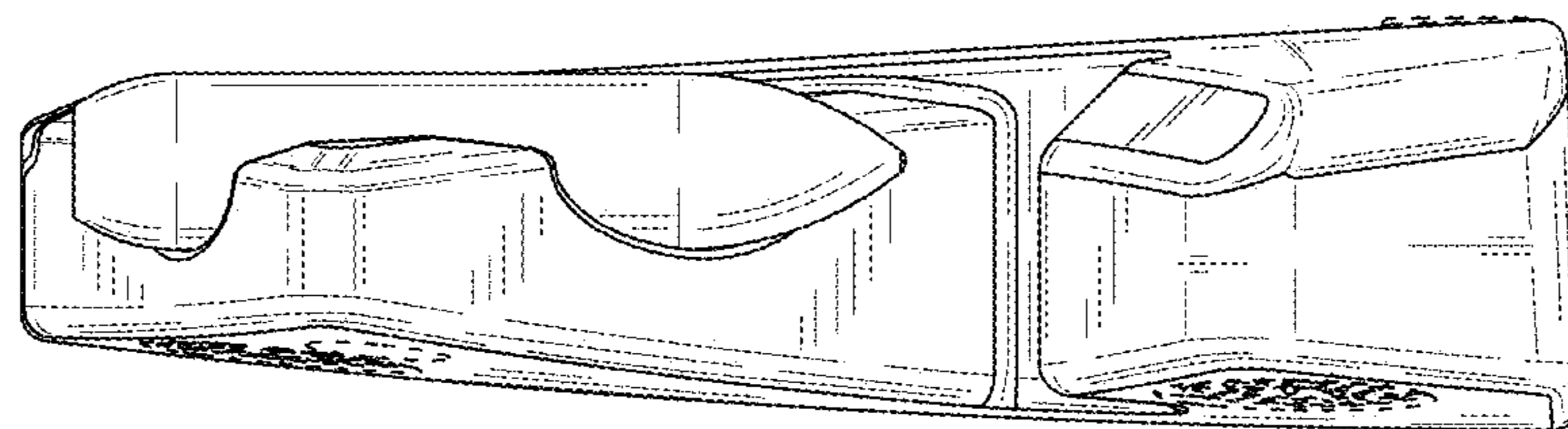
**FIG. 13**



**FIG. 14**



**FIG. 15**



**FIG. 16**