



US00D958911S

(12) **United States Design Patent**
Dandachli

(10) **Patent No.:** **US D958,911 S**
(45) **Date of Patent:** **** Jul. 26, 2022**

(54) **DEVICE HOLDER**

(71) Applicant: **MIGHTY PELICAN**, Austin, TX (US)

(72) Inventor: **Youssef Dandachli**, Austin, TX (US)

(73) Assignee: **MIGHTY PELICAN**, Austin, TX (US)

(**) Term: **15 Years**

(21) Appl. No.: **29/829,617**

(22) Filed: **Mar. 7, 2022**

Related U.S. Application Data

(62) Division of application No. 29/746,911, filed on Aug. 18, 2020.

(51) **LOC (13) Cl.** **21-02**

(52) **U.S. Cl.**
USPC **D21/694**; D6/552

(58) **Field of Classification Search**
USPC D14/251–253, 224, 224.1, 432–434, 447,
D14/451, 452; D12/114, 415, 426.1, 223,
D12/406, 407; D3/218, 201, 317, 318;
D21/663–667, 694, 697, 686; D6/552,
D6/553, 567, 572

CPC A63B 71/0036; A63B 2225/68; A63B
2225/682; A63B 2225/685; A63B
2225/687

See application file for complete search history.

(56) **References Cited**

U.S. PATENT DOCUMENTS

D229,944 S * 1/1974 Eddy D14/253
D247,534 S * 3/1978 Alexandre D6/552
D312,385 S * 11/1990 Hamann D8/367
D312,960 S * 12/1990 Embree D8/367
D320,992 S * 10/1991 Jondelius D14/253
D328,302 S * 7/1992 Murzanski D14/253
D402,468 S * 12/1998 Killins D3/315
D453,542 S * 2/2002 Louiso D21/686

D464,836 S * 10/2002 Barrera D6/552
D598,689 S * 8/2009 McDonald D6/552
D609,080 S * 2/2010 Schorn D6/552
D622,992 S * 9/2010 Dodd D6/552
D686,609 S * 7/2013 Kadivar D14/253
D721,518 S * 1/2015 Cohen D6/552
D765,393 S * 9/2016 Kim D3/218
D806,187 S * 12/2017 East D21/686

(Continued)

OTHER PUBLICATIONS

Nth Fit Shoe Hook Hanger Compatible with Peloton Bike [online].
Date first listed on Amazon Mar. 31, 2021. [Retrieved from the
Internet Nov. 3, 2021.] <URL: <https://www.amazon.com/Hanger-Compatible-Peloton-Description-Product/dp/B091DTS4F5/>>.*

(Continued)

Primary Examiner — Rebekah A Caruso

(74) *Attorney, Agent, or Firm* — Pierson IP, PLLC

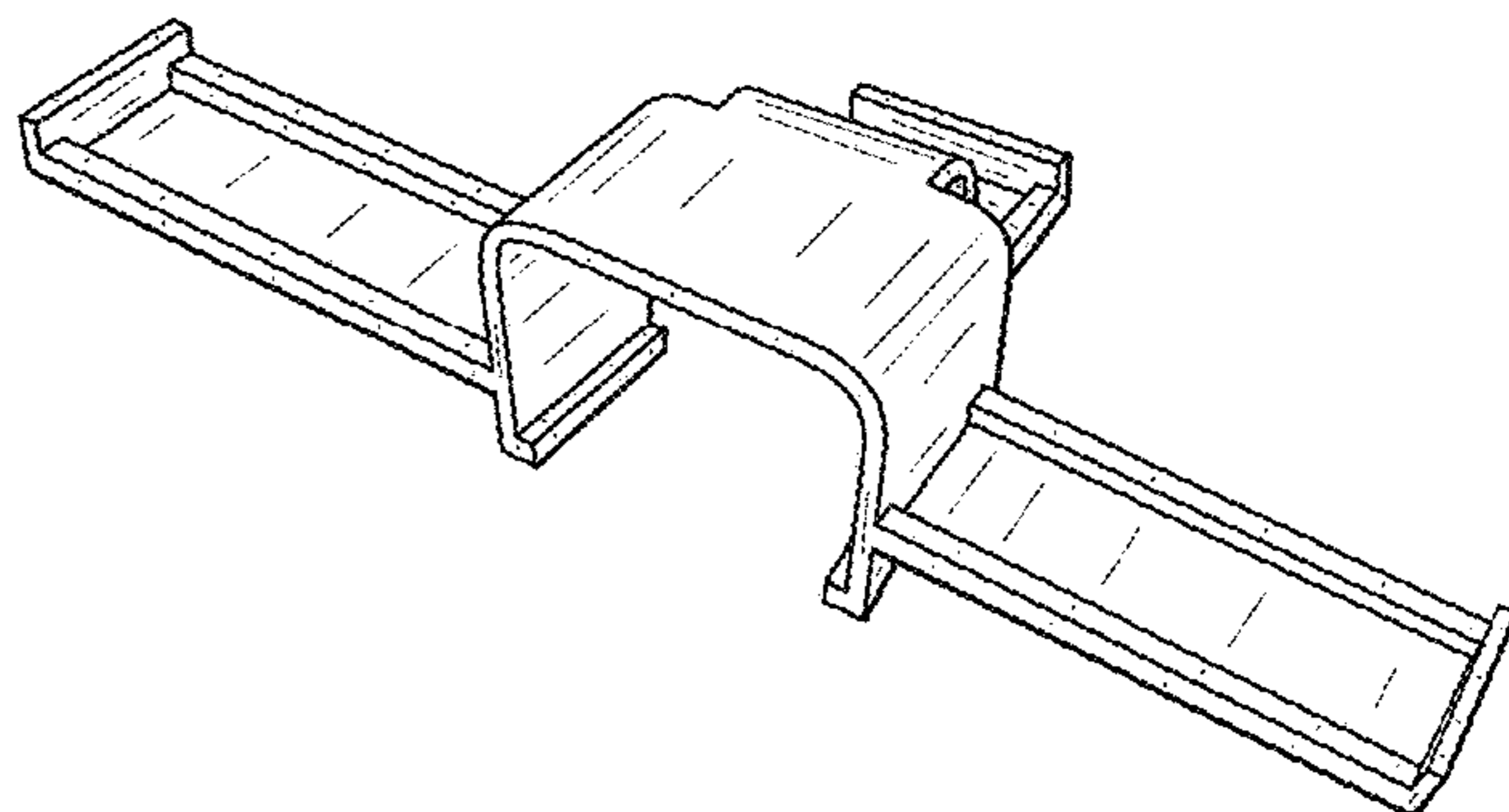
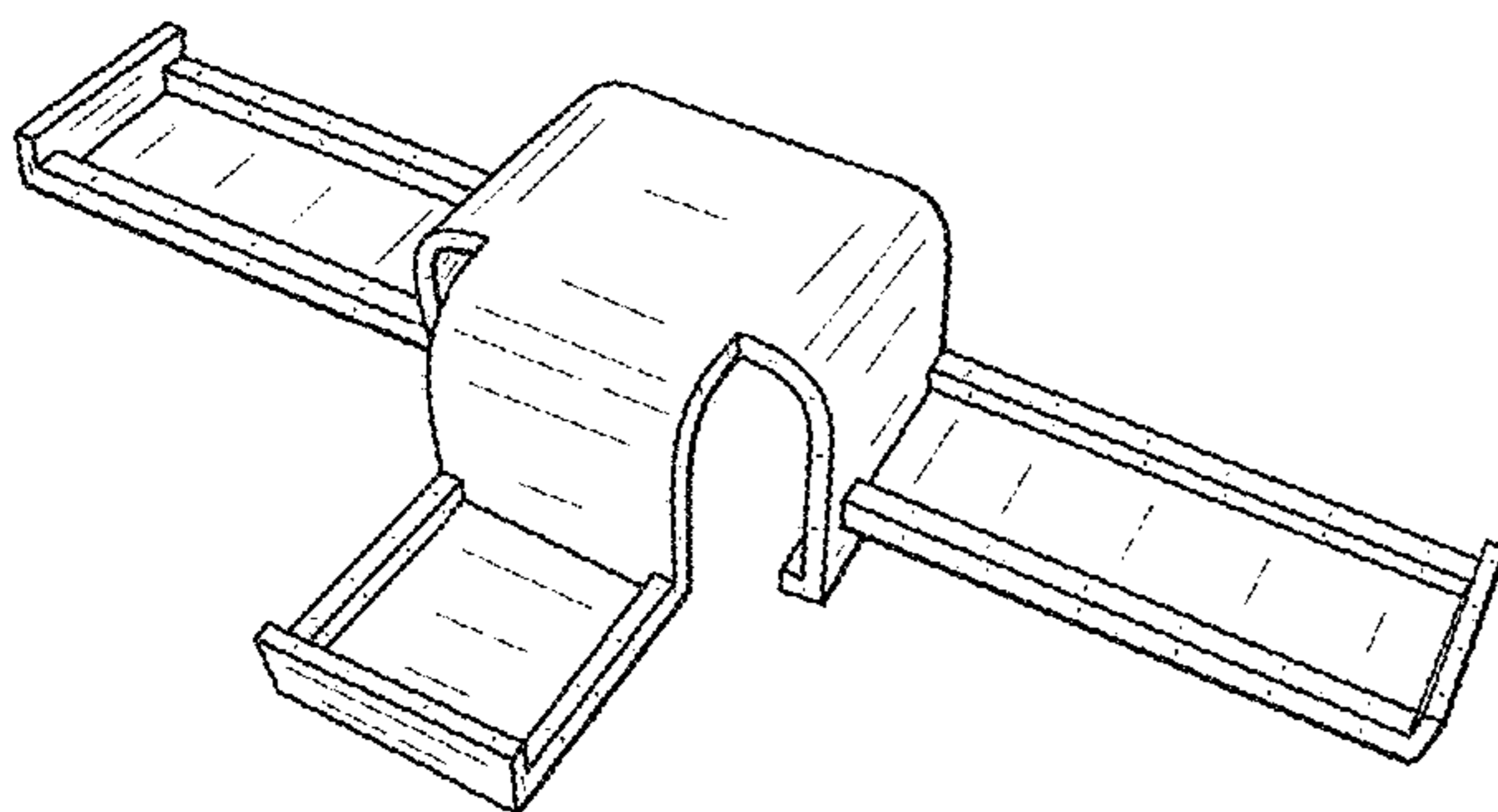
(57) **CLAIM**

The ornamental design for a device holder, as shown and described.

DESCRIPTION

FIG. 1 is a first perspective view of a device holder for an exercise machine showing a new design;
FIG. 2 is a second perspective view thereof;
FIG. 3 is a back view of the device holder thereof;
FIG. 4 is a front view of the device holder thereof;
FIG. 5 is a first side view of the device holder thereof;
FIG. 6 is a second side view of the device holder thereof;
FIG. 7 is a bottom view of the device holder thereof;
FIG. 8 is a top view of the device holder thereof; and,
FIG. 9 is a third perspective view of the device holder positioned on an exercise machine.
Elements shown in broken lines show environmental structures of an exercise machine and form no part of the design.

1 Claim, 5 Drawing Sheets



(56)

References Cited

U.S. PATENT DOCUMENTS

D842,948	S *	3/2019	Sandoval	D21/694
D846,668	S *	4/2019	Sandoval	D21/697
D854,638	S *	7/2019	Sandoval	D21/697
D875,855	S *	2/2020	Sandoval	D21/691
D907,725	S *	1/2021	Adams	D21/694
D909,363	S *	2/2021	Khalaf	D14/253
D911,465	S *	2/2021	Aubry	D21/694
D915,064	S *	4/2021	Cardentey	D3/218
D915,533	S *	4/2021	Adams	D21/694
D939,649	S *	12/2021	Dandachli	D6/552
D939,650	S *	12/2021	Dandachli	D6/552
D939,857	S *	1/2022	Dains	D6/552
D941,941	S *	1/2022	Tighe	D21/686
2011/0278885	A1 *	11/2011	Procter	B60R 11/0252 297/135
2019/0246790	A1 *	8/2019	Horn	A47B 83/001
2021/0353998	A1 *	11/2021	Trenkle	A47B 23/06

OTHER PUBLICATIONS

Nth Fit Bike Shoe, Towel & Accessories Hook Hanger Compatible with Echelon EX-1, EX-3, EX-5, EX-7 [online]. Date first listed on Amazon Feb. 3, 2021. [Retrieved from the Internet Nov. 3, 2021.] <URL: <https://www.amazon.com/Nth-Fit-Accessories-Compatible-Echelon/dp/B08VRCBHK5/> >.*

Nth Fit Bike Shoe, Towel & Accessories Hook Hanger Compatible with NordicTrack S15i & S22i—Front [online]. Date first listed on Amazon Sep. 23, 2020. [Retrieved from the Internet Nov. 3, 2021.] <URL: <https://www.amazon.com/Nth-Fit-Accessories-Compatible-NordicTrack/dp/B08N4D8DDM/> >.*

Nth Fit Bike Shoe, Towel & Accessories Hook Hanger Compatible with NordicTrack S15i & S22i—Rear [online]. Date first listed on Amazon Sep. 23, 2020. [Retrieved from the Internet Nov. 3, 2021.] <URL: <https://www.amazon.com/Nth-Fit-Accessories-Compatible-NordicTrack/dp/B08N4JZJRY?th=1> >.*

* cited by examiner

FIG. 1

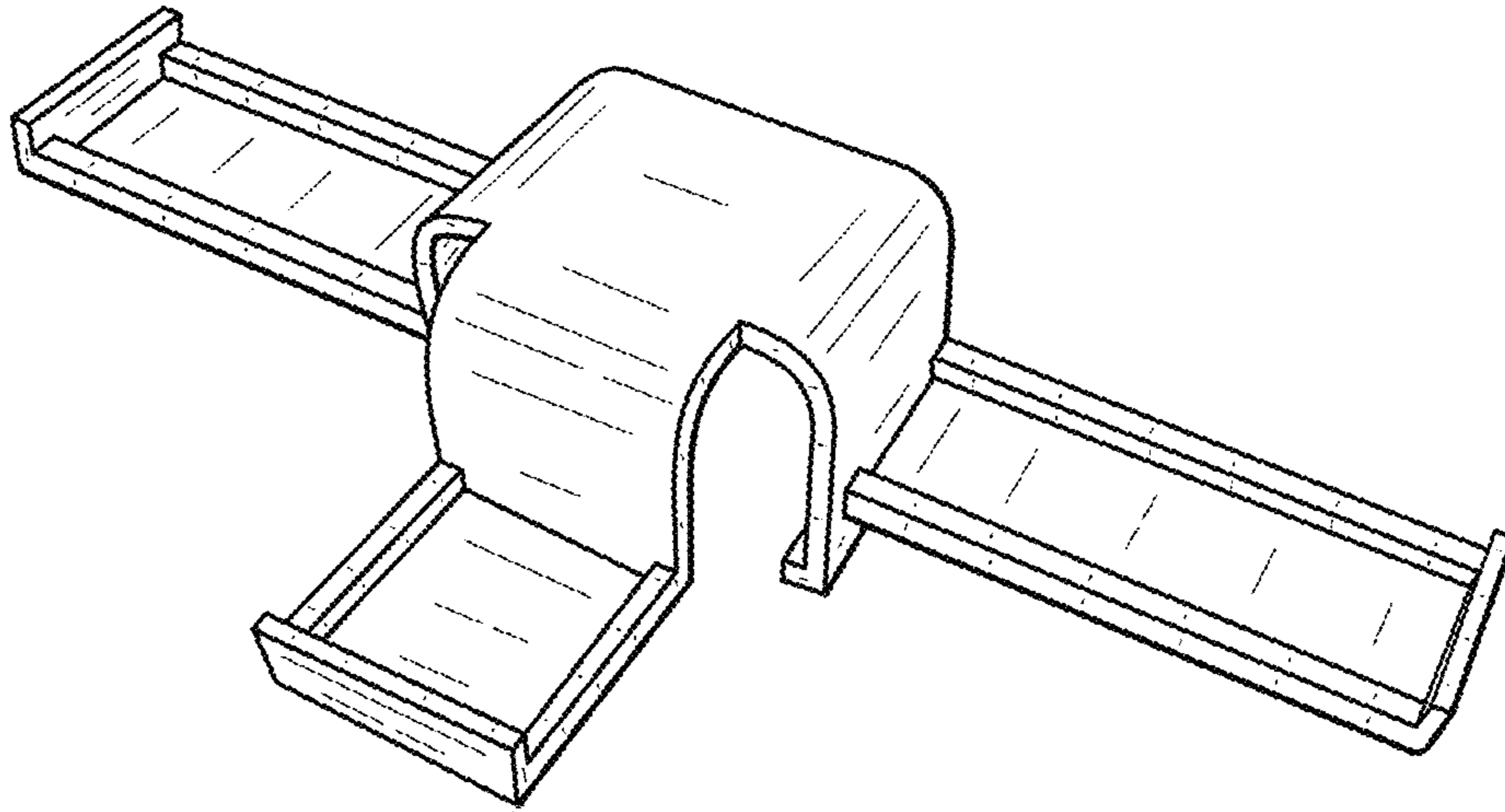


FIG. 2

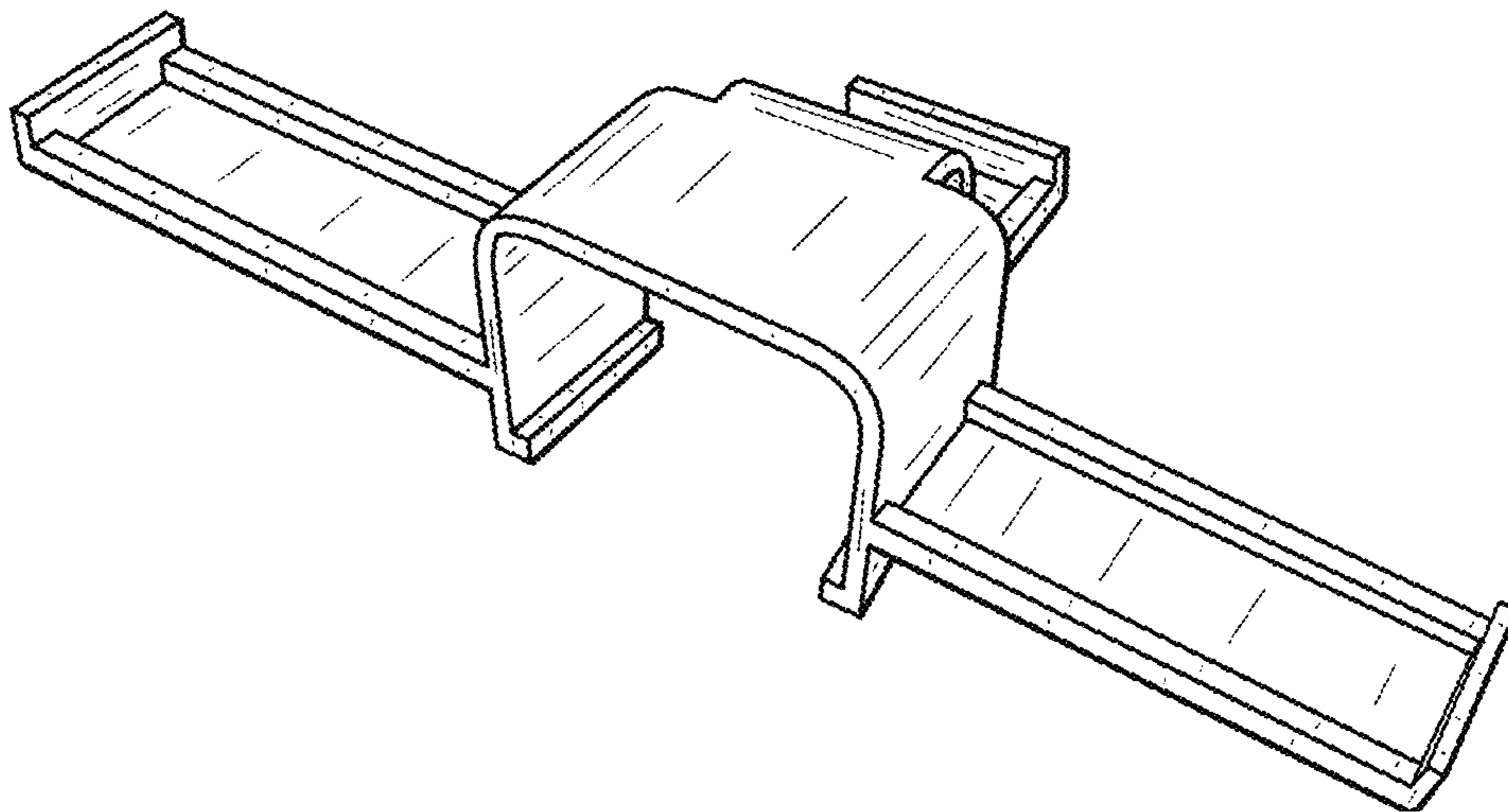


FIG. 3

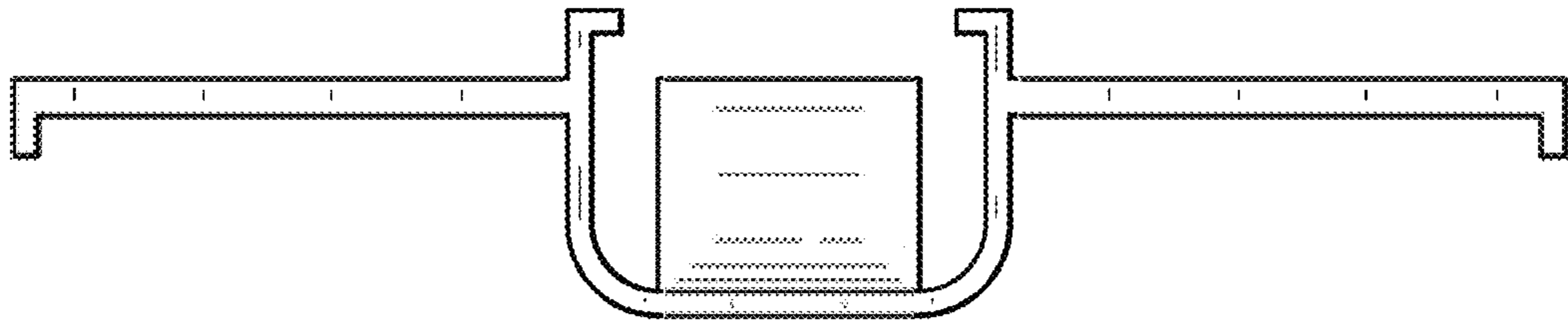


FIG. 4

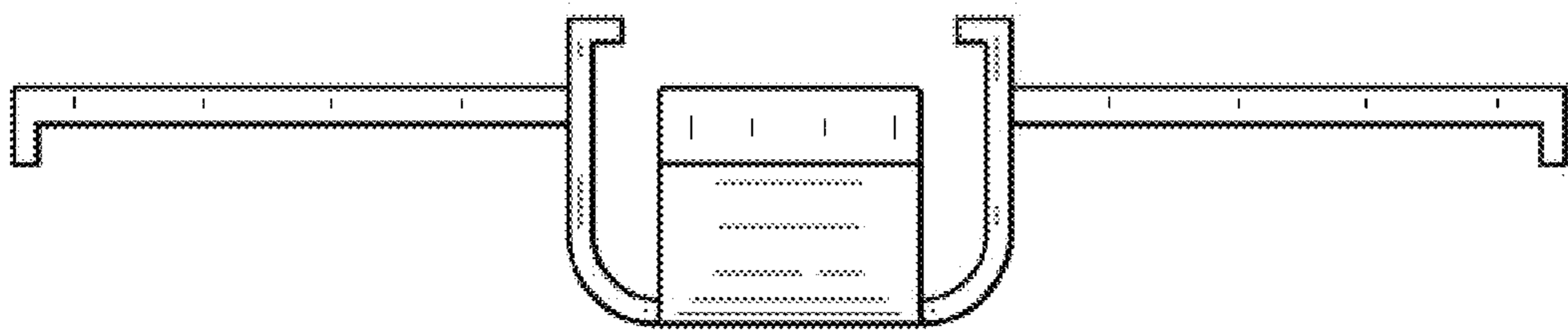


FIG. 5

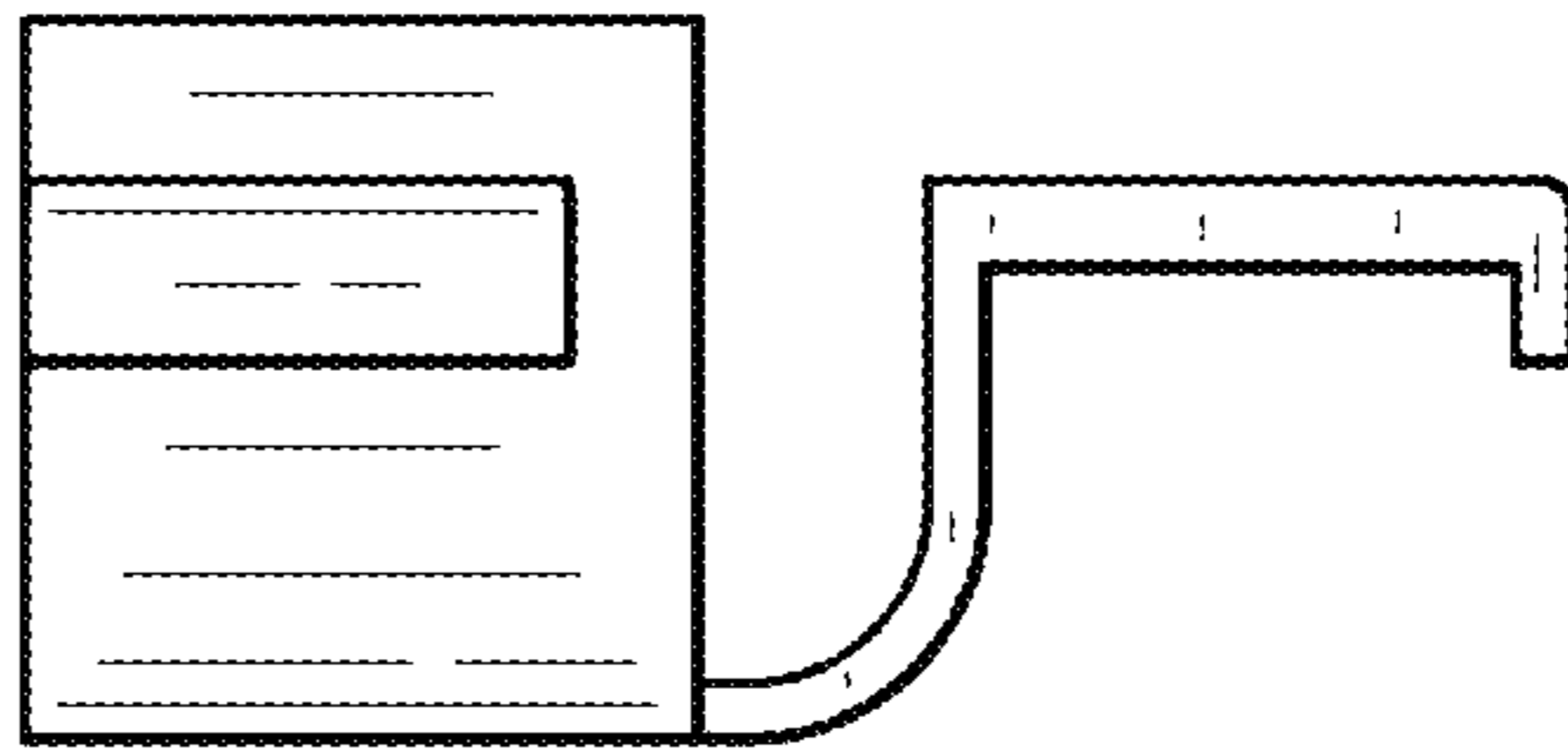


FIG. 6

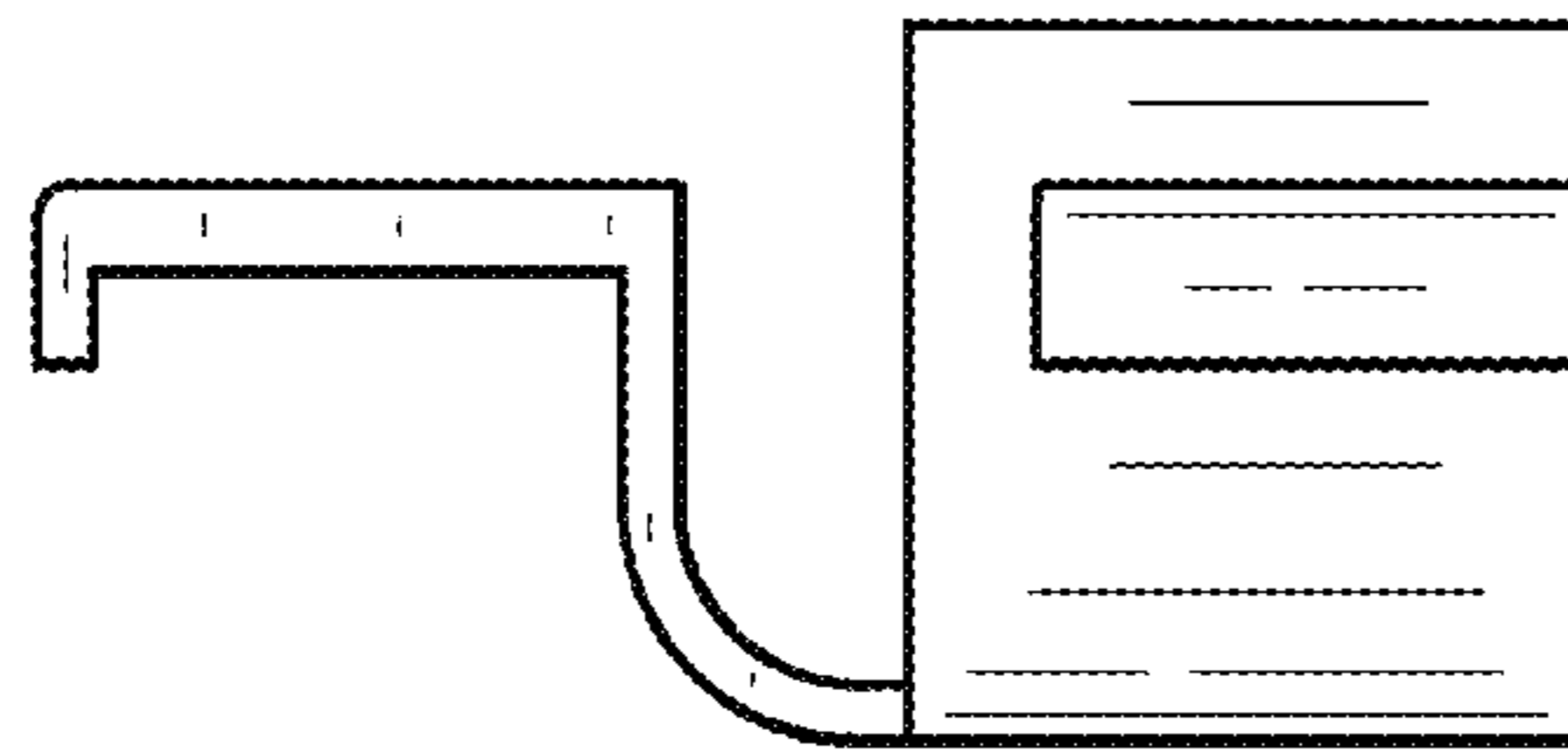


FIG. 7

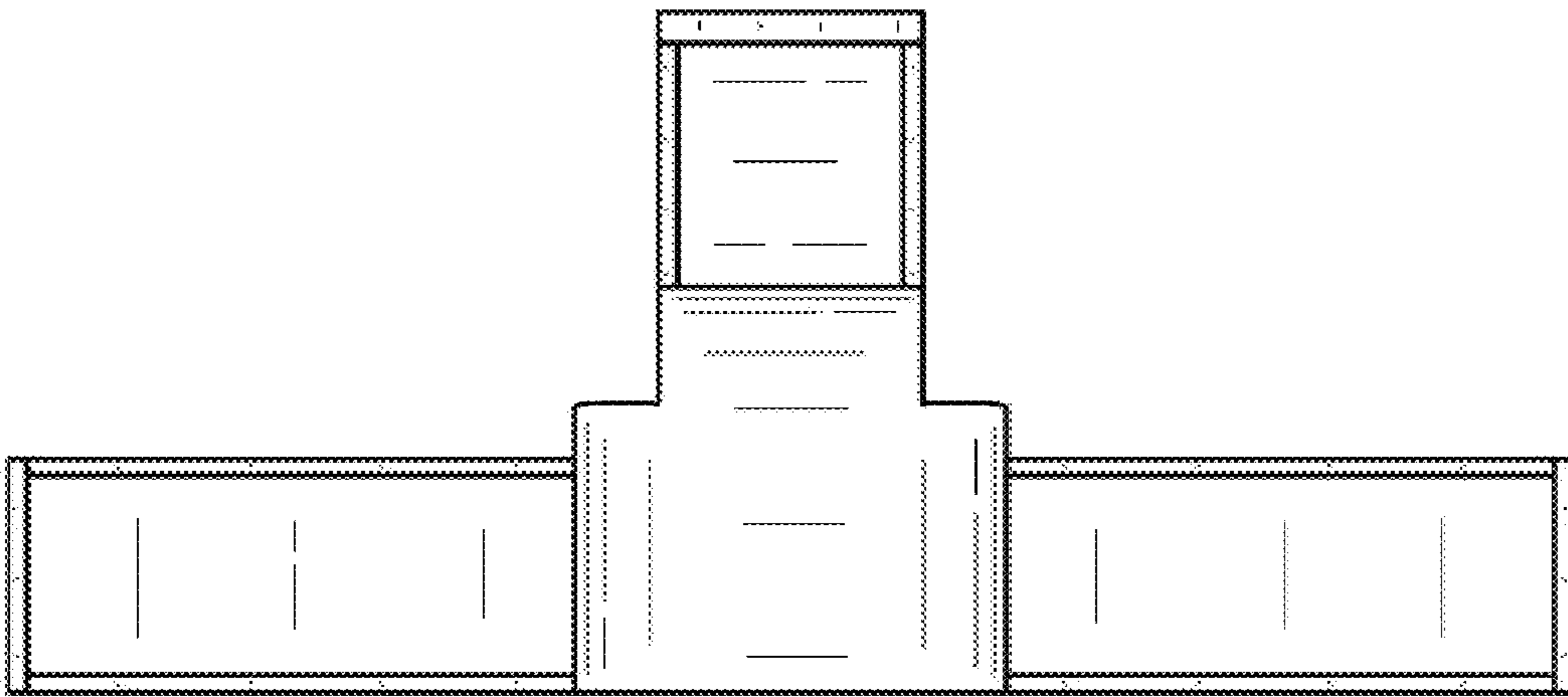


FIG. 8

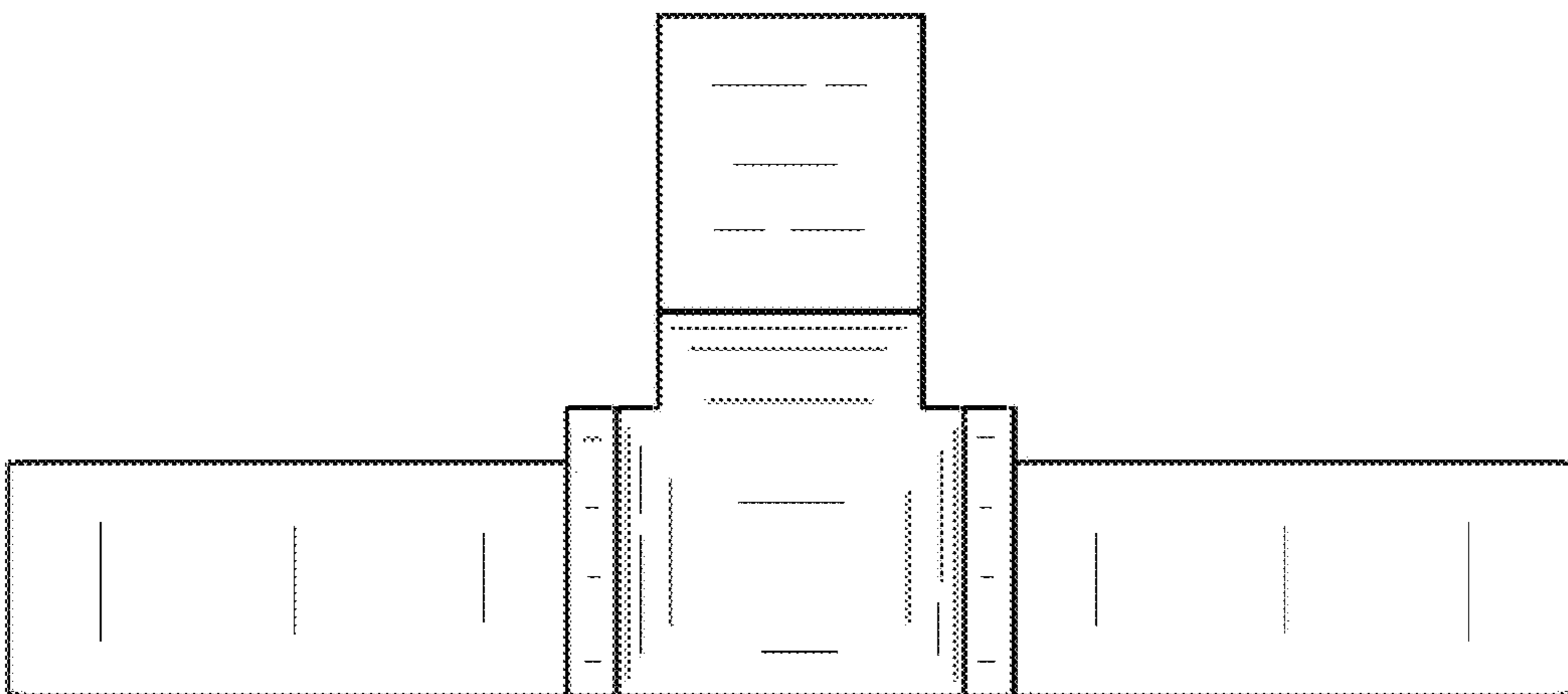


FIG. 9

