



US00D958910S

(12) **United States Design Patent**
Scott-Ford

(10) **Patent No.:** **US D958,910 S**
(45) **Date of Patent:** **** Jul. 26, 2022**

- (54) **WEIGHT BENCH COVER**
- (71) Applicant: **Christopher Scott-Ford**, Houston, TX
(US)
- (72) Inventor: **Christopher Scott-Ford**, Houston, TX
(US)
- (**) Term: **15 Years**
- (21) Appl. No.: **29/686,514**
- (22) Filed: **Apr. 4, 2019**
- (51) **LOC (13) Cl.** **21-02**
- (52) **U.S. Cl.**
USPC **D21/694**
- (58) **Field of Classification Search**
USPC D6/608, 611, 368; 482/148, 102, 142;
D21/694, 695, 662
CPC A63B 21/4029; A63B 21/078; A63B
2209/00; A63B 21/4037; A47C 31/10;
A47K 10/02
See application file for complete search history.

(56) **References Cited**

U.S. PATENT DOCUMENTS

4,705,084	A *	11/1987	Rodebaugh	A47C 31/10
					108/90
D665,616	S *	8/2012	Pittman	A47G 9/062
					D6/608
D683,167	S *	5/2013	Margalit	D6/608
8,852,712	B1 *	10/2014	Diaz	A63B 21/4037
					428/100
D766,018	S *	9/2016	Coward	D6/608
D769,031	S *	10/2016	Beamen	D6/608
D793,125	S *	8/2017	Bemis	D6/611
D795,603	S *	8/2017	Bemis	D6/368
9,867,409	B1 *	1/2018	Mroz	A44B 1/00
D856,034	S *	8/2019	Beamen	D6/608
D895,323	S *	9/2020	St. Rose	D6/611
D919,334	S *	5/2021	Beamen	D6/608
2004/0147381	A1 *	7/2004	Cervantes Gallego	A47C 31/113
					482/142

2005/0225135 A1* 10/2005 Moses B60R 22/00
297/228.1
2006/0105138 A1* 5/2006 Nichols A63B 71/00
428/102

(Continued)

OTHER PUBLICATIONS

Bench Barrier by Bench Barrier Store dated Mar. 21, 2021. Found online [Jan. 25, 2022] <https://tinyurl.com/2p8krt7p>.*

(Continued)

Primary Examiner — Ryan Harvey

(74) *Attorney, Agent, or Firm* — Vincent LoTempio

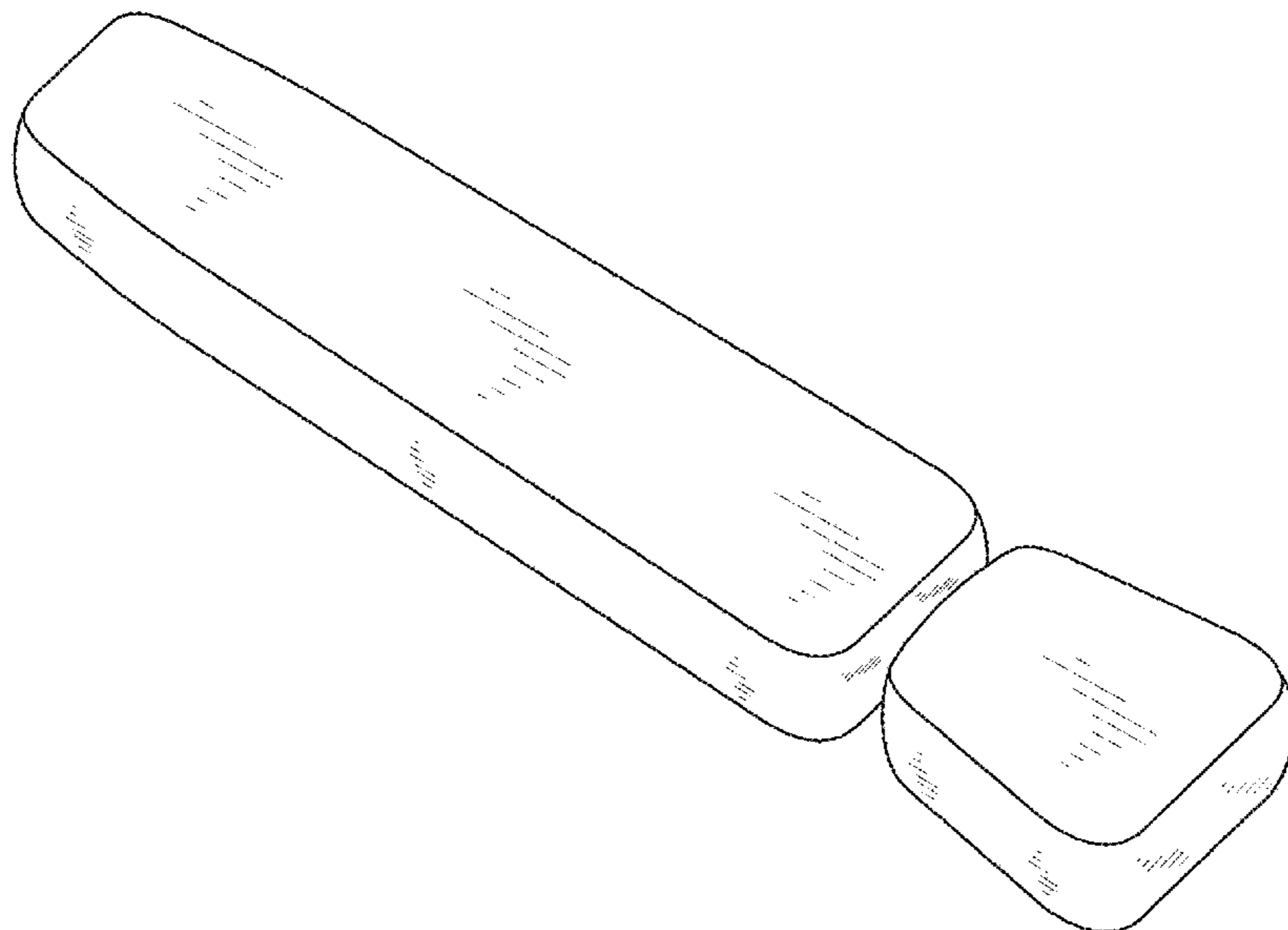
(57) **CLAIM**

The ornamental design for a weight bench cover, as shown and described.

DESCRIPTION

FIG. 1 is a perspective view of the weight bench cover showing my new design;
 FIG. 2 is a perspective view of the weight bench cover shown in an environment;
 FIG. 3 is a front elevation view of the weight bench cover thereof;
 FIG. 4 is a rear elevation view of the weight bench cover thereof;
 FIG. 5 is a right side elevational view of the weight bench cover thereof;
 FIG. 6 is a left side elevational view of the weight bench cover thereof;
 FIG. 7 is a top plan view of the weight bench cover thereof; and,
 FIG. 8 is a bottom plan view of the weight bench cover.
 In the drawings, the dash-dot-dash broken line showing of a weight bench depicts environment and forms no part of the claim; the evenly spaced broken lines represent stitching which does form part of the claimed design.

1 Claim, 4 Drawing Sheets



(56)

References Cited

U.S. PATENT DOCUMENTS

2006/0189463 A1* 8/2006 Boice A47K 10/02
482/148
2013/0220185 A1* 8/2013 Valenta B65D 65/10
108/90
2017/0028288 A1* 2/2017 Akers A47C 31/116
2017/0274243 A1* 9/2017 Lorca A63B 21/4029
2019/0159603 A1* 5/2019 Triglia A63B 71/00
2019/0246807 A1* 8/2019 Hensley A63B 21/4029
2019/0351282 A1* 11/2019 Rice A63B 21/4037
2020/0046139 A1* 2/2020 Sosa A47C 31/007
2020/0359851 A1* 11/2020 Lucero, III A47C 31/113
2021/0015270 A1* 1/2021 Gonzalez A63B 71/0054
2021/0379443 A1* 12/2021 White, III A63B 21/4037

OTHER PUBLICATIONS

The Bench Cover by Anderson Powerlifting dated Dec. 13, 2018.
Found online [Jan. 25, 2022] <https://www.andersonpowerlifting.com/product/the-bench-cover/#reviews>.*

Bench Bustr by Bench Bustr dated Nov. 27, 2016. Found online
[Jan. 25, 2022] https://www.amazon.com/BENCH-BUSTR-WEIGHT-FITNESS-TOWEL/dp/B01N69UFDD/ref=cm_cr_ar_p_d_product_top?ie=UTF8.*

* cited by examiner

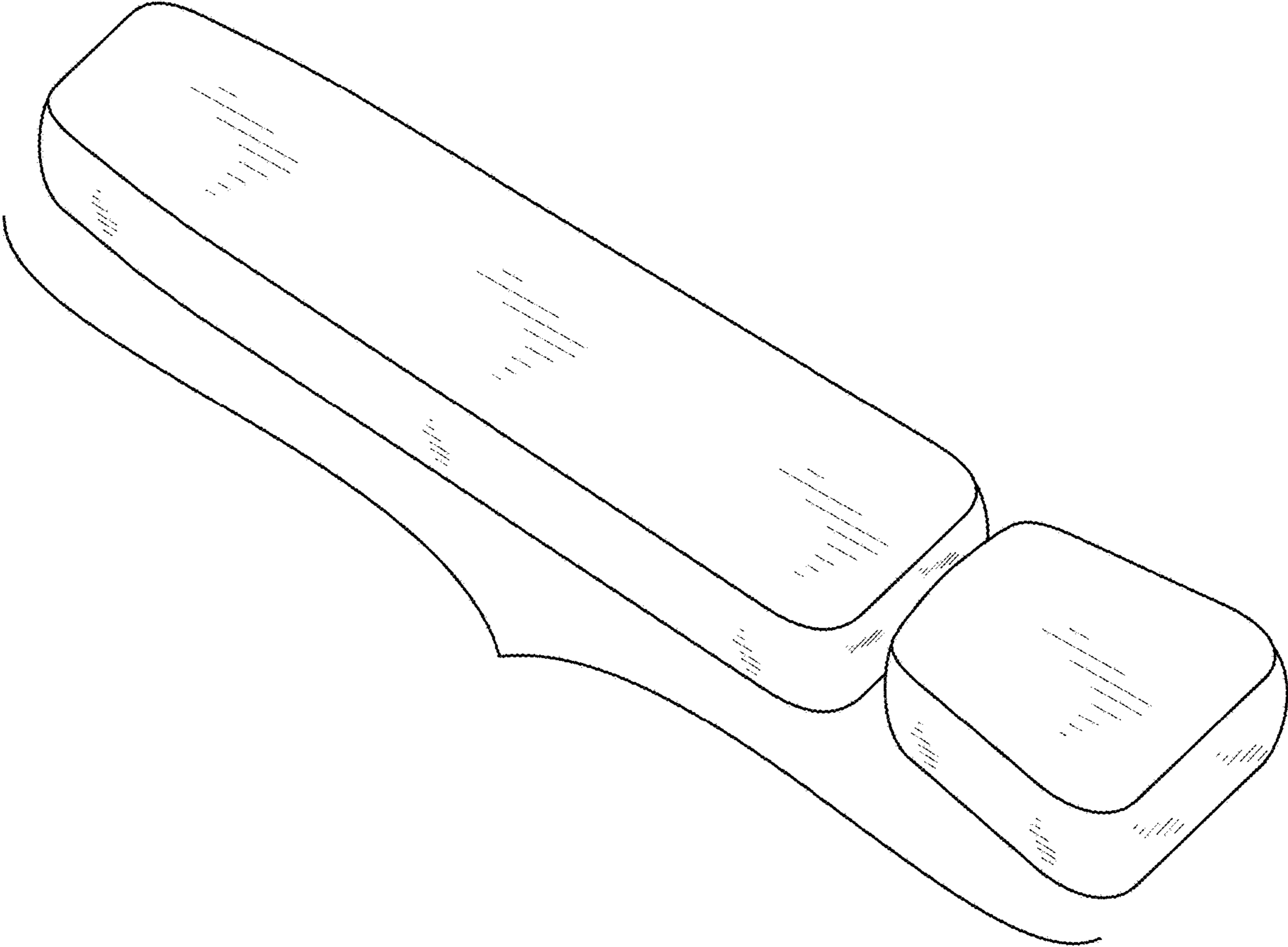


FIG. 1

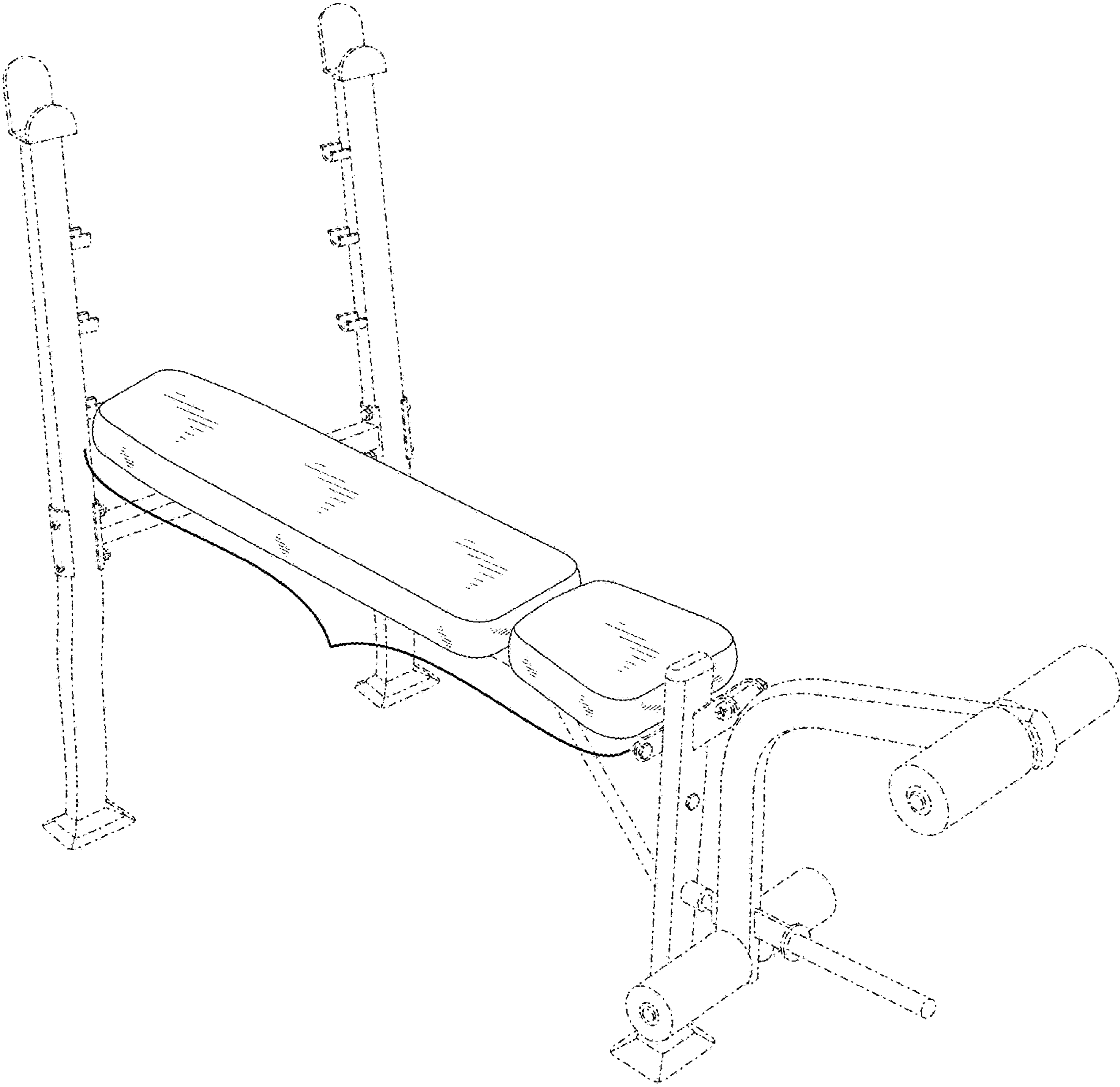


FIG. 2

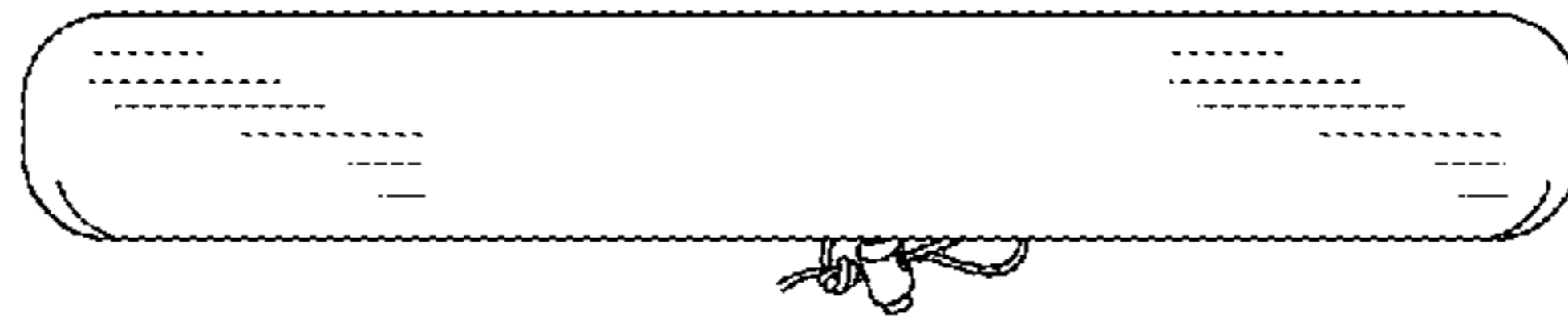


FIG. 3

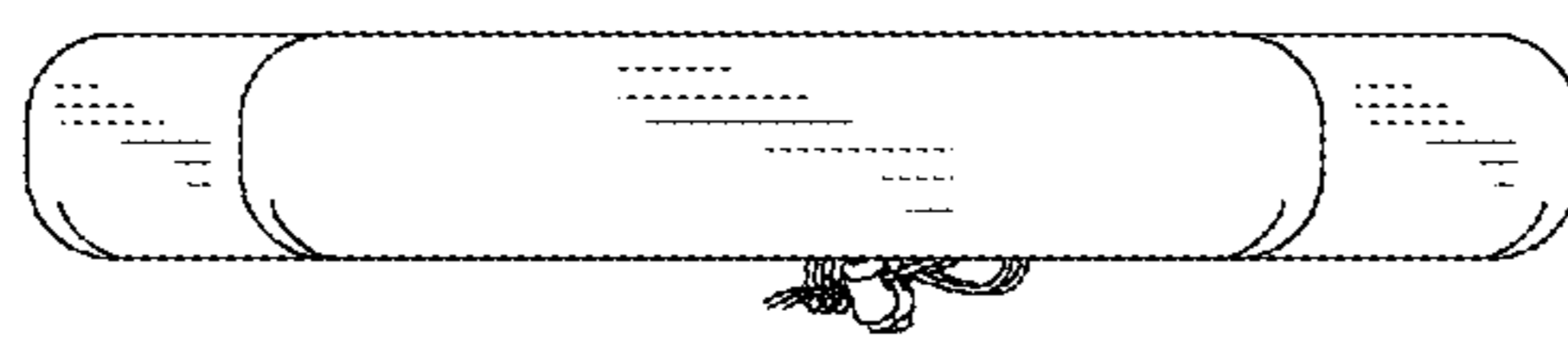


FIG. 4

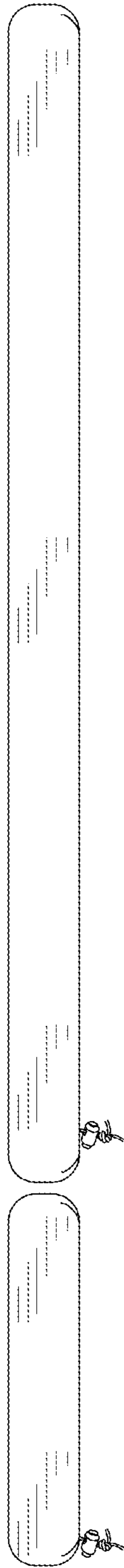


FIG. 5

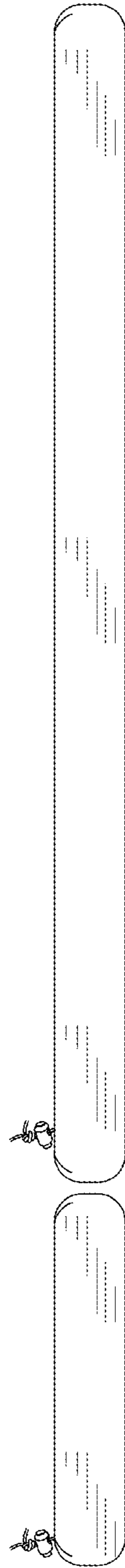


FIG. 6