



US00D958909S

(12) **United States Design Patent**  
**Moreland**

(10) **Patent No.:** **US D958,909 S**

(45) **Date of Patent:** **\*\* Jul. 26, 2022**

(54) **EXERCISE DEVICE**

(71) Applicant: **Garrett Moreland**, Lehi, UT (US)

(72) Inventor: **Garrett Moreland**, Lehi, UT (US)

(\*\*) Term: **15 Years**

(21) Appl. No.: **29/739,480**

(22) Filed: **Jun. 25, 2020**

(51) **LOC (13) Cl.** ..... **21-02**

(52) **U.S. Cl.**  
USPC ..... **D21/692**

(58) **Field of Classification Search**  
USPC ..... D21/525, 692, 662; D7/678, 679  
CPC ..... A63B 21/00  
See application file for complete search history.

(56) **References Cited**

**U.S. PATENT DOCUMENTS**

1,915,869	A *	6/1933	Rowley	.....	A47J 43/25 241/101.1
1,979,748	A *	11/1934	Kimmel	.....	B21D 53/64 99/623
2,615,486	A *	10/1952	Marcus	.....	A47J 43/25 241/168
5,556,357	A *	9/1996	Hanna	.....	A63B 23/032 601/39
D403,381	S *	12/1998	Hanna	.....	D21/662
6,524,225	B1 *	2/2003	Arias	.....	A63B 23/032 482/11
D652,693	S *	1/2012	De Buyer	.....	D7/412
8,376,912	B1 *	2/2013	Dedvukaj	.....	A63B 21/028 482/148

**OTHER PUBLICATIONS**

Adela, announced 2019[online], [site visited May 24, 2022]. Available on internet, URL:https://www.amazon.com/dp/B0B1XCGTBC/ref (Year: 2019).\*

\* cited by examiner

*Primary Examiner* — Khawaja Anwar

*Assistant Examiner* — Julice Seung Eun Oum

(57) **CLAIM**

The ornamental design for an exercise device, as shown and described.

**DESCRIPTION**

FIG. 1 is a top, perspective view of the exercise device; the view showing my new design;

FIG. 2 is a front elevation view thereof;

FIG. 3 is a side elevation view thereof;

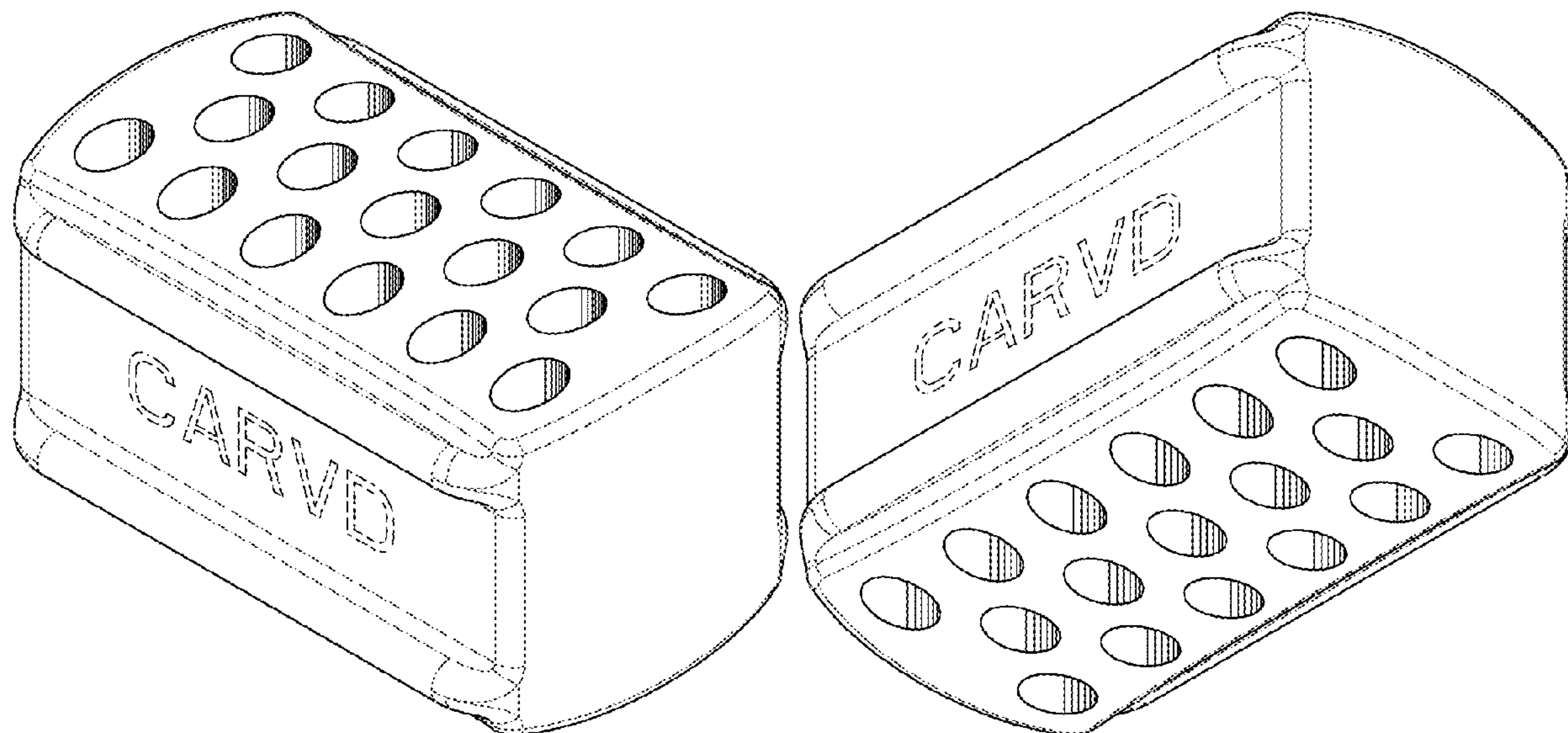
FIG. 4 is a rear view thereof;

FIG. 5 is a bottom view thereof; and,

FIG. 6 is a bottom, perspective thereof.

A description of the appearance of the article is as follows: An exercise device, the broken lines showing portions of the design in the figures are included for the purpose of illustrating environment and unclaimed features and forms not part of the claimed design.

**1 Claim, 6 Drawing Sheets**



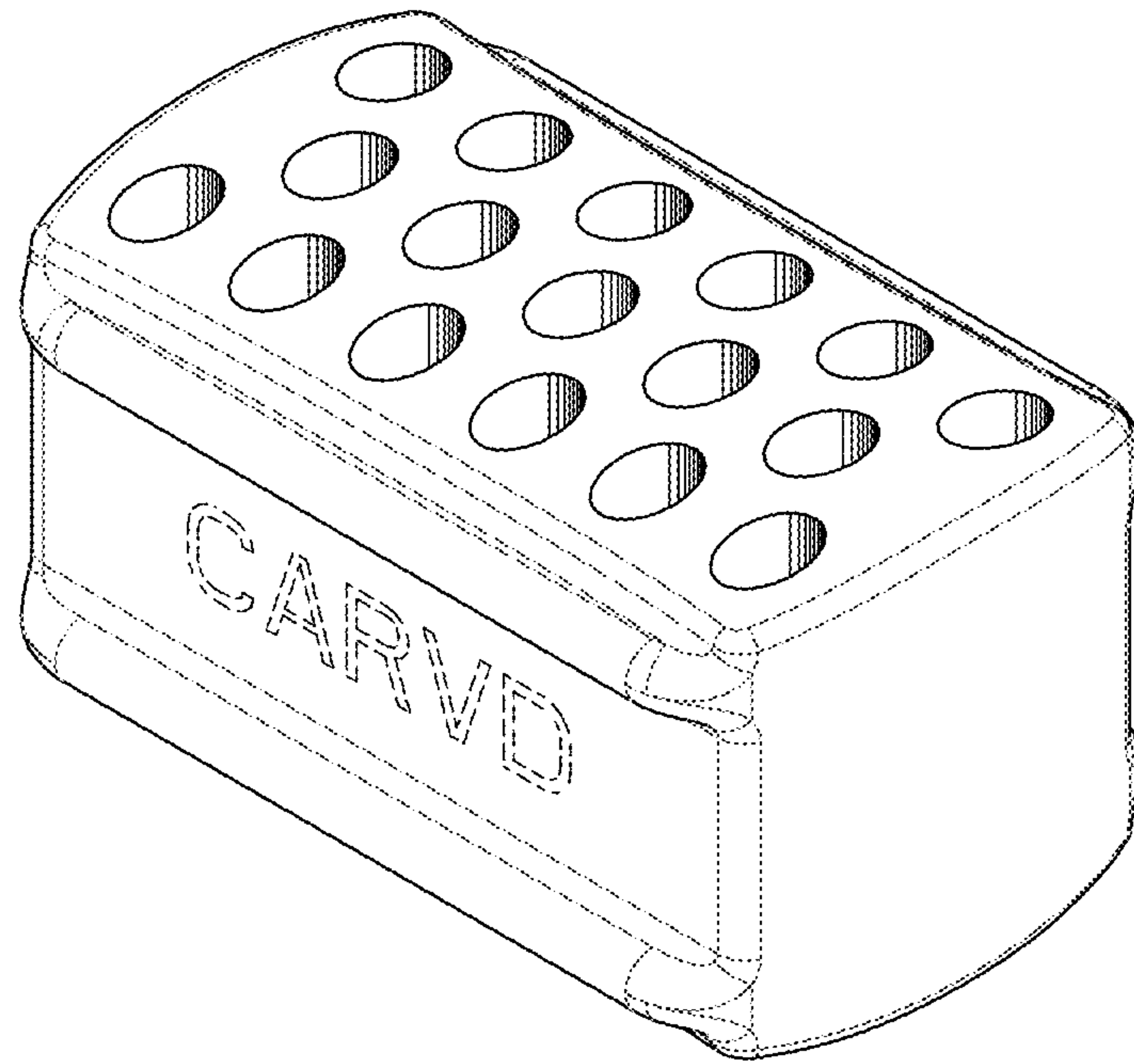


FIG. 1

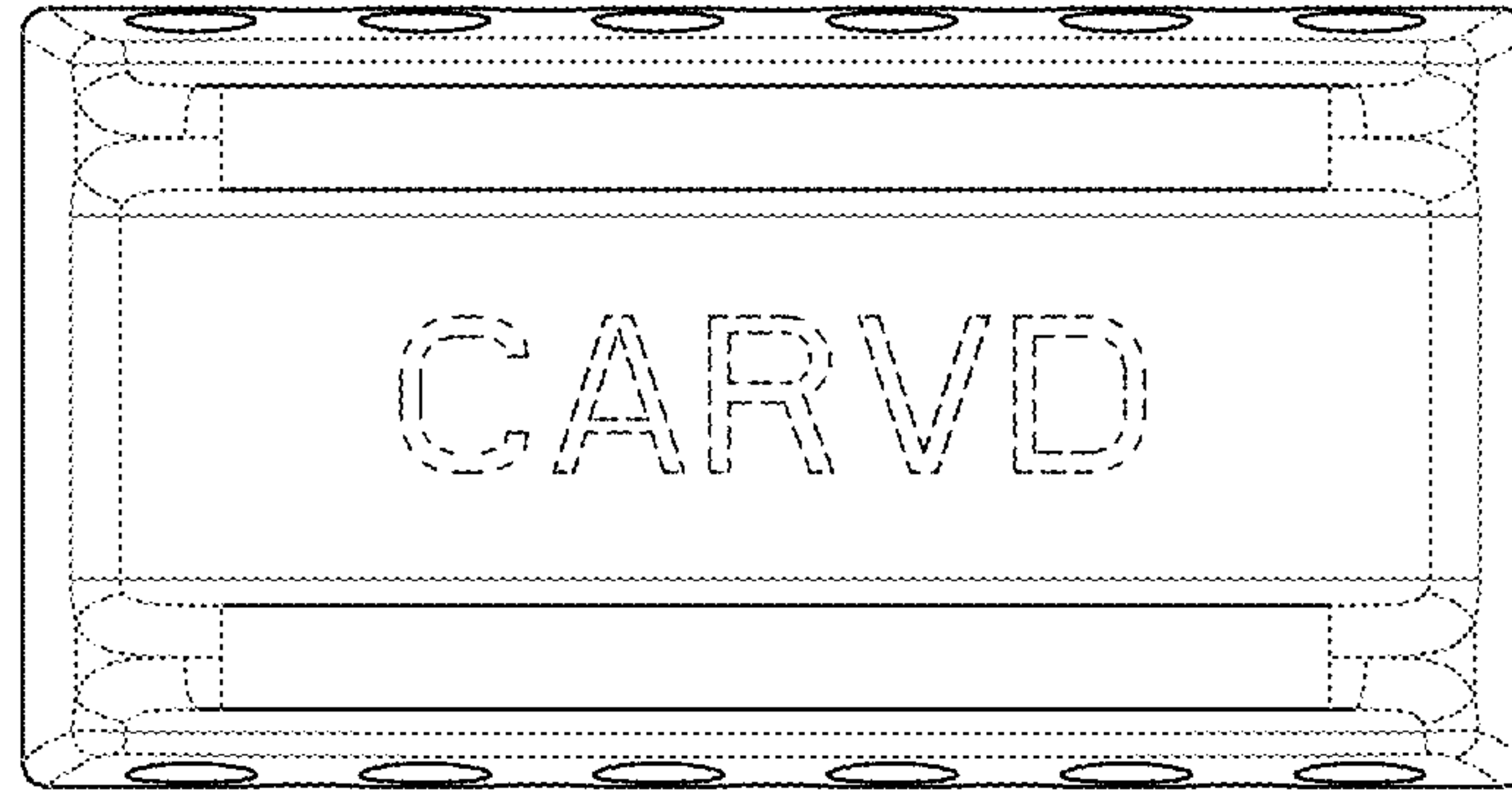


FIG. 2

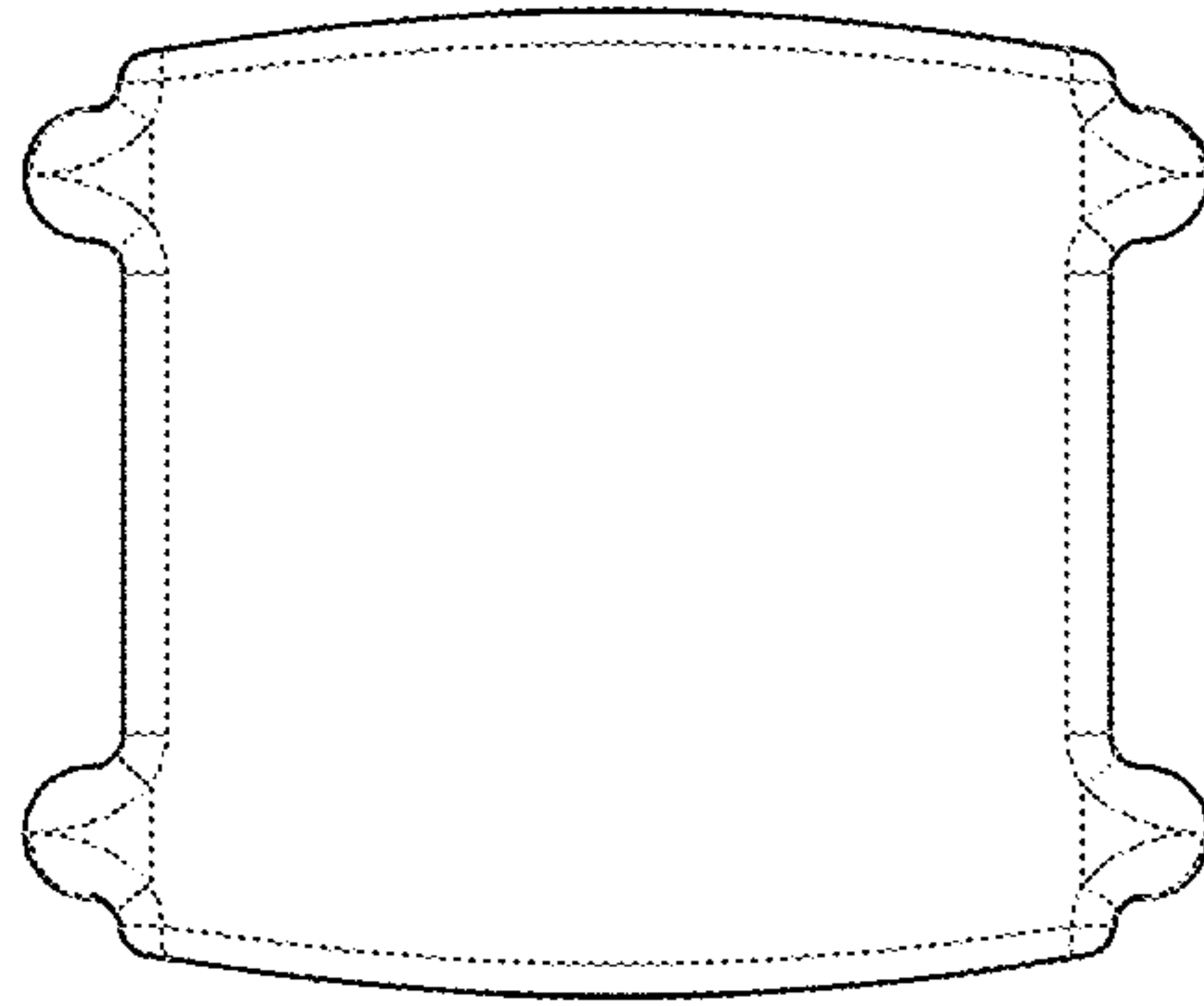


FIG. 3

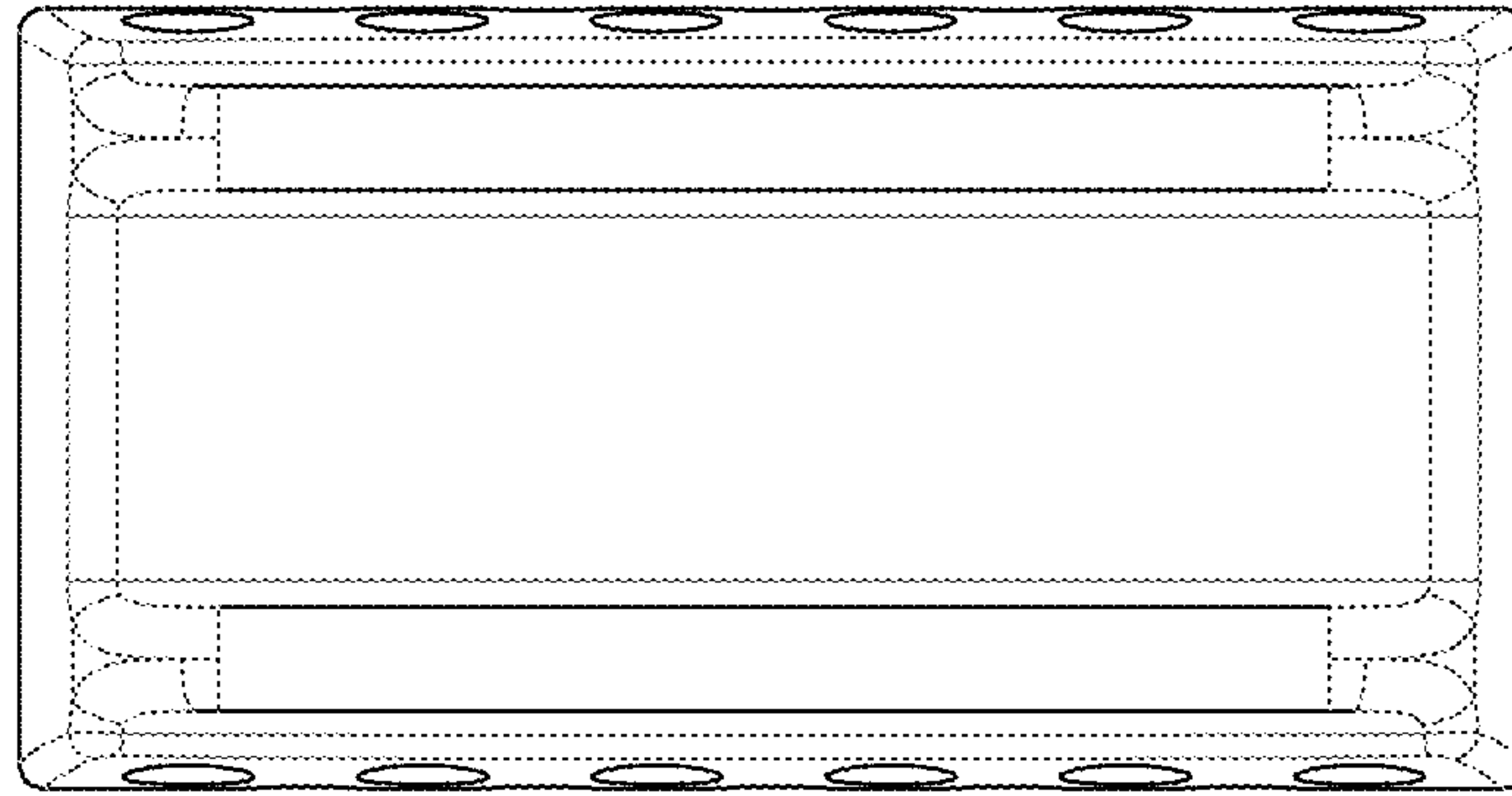


FIG. 4

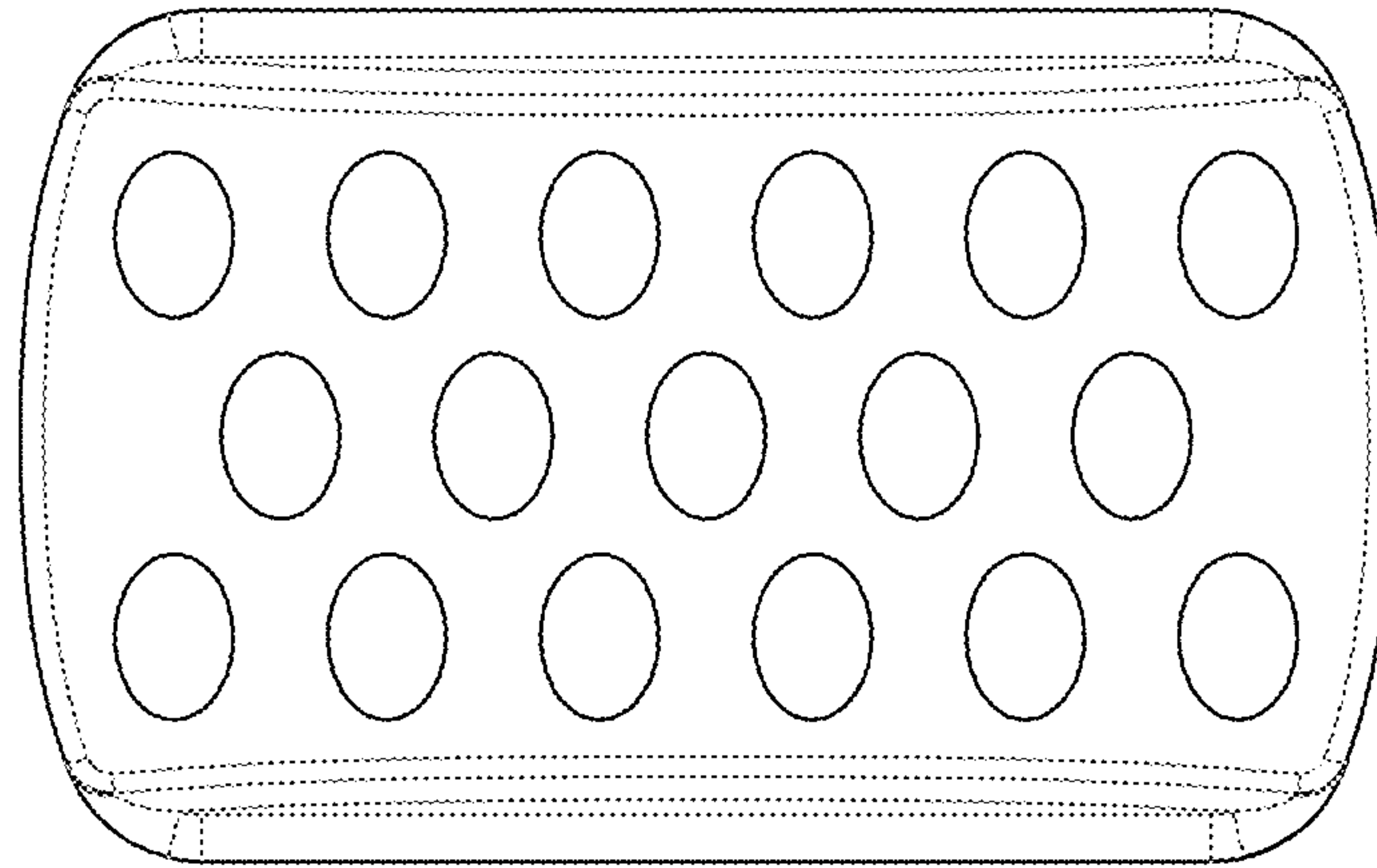


FIG. 5

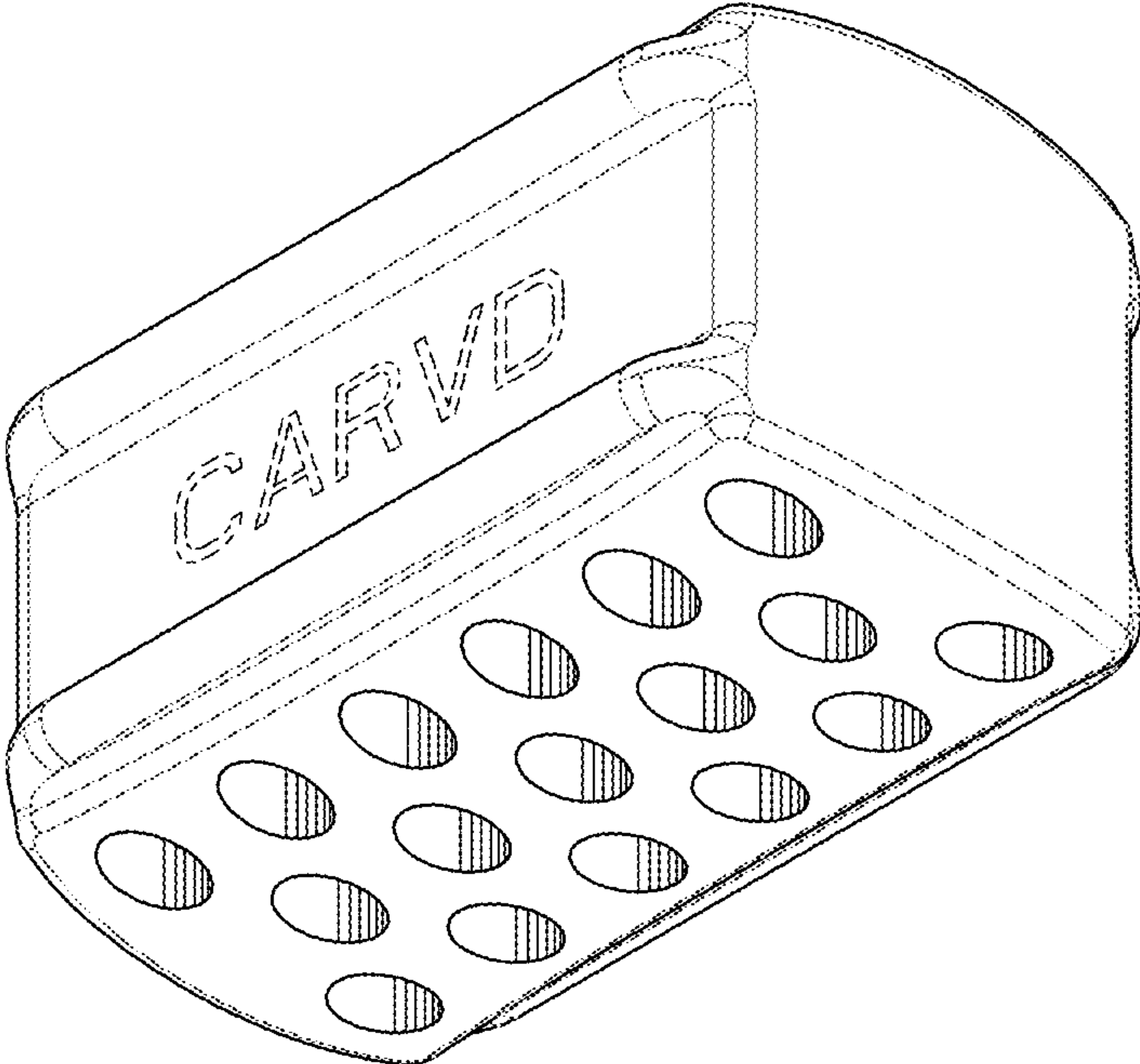


FIG. 6