



US00D958908S

(12) **United States Design Patent**
Thorpe

(10) **Patent No.:** **US D958,908 S**
(45) **Date of Patent:** **** Jul. 26, 2022**

(54) **EXERCISE DEVICE**

(71) Applicant: **Isologex Corporation**, Toronto (CA)

(72) Inventor: **Brad Thorpe**, Toronto (CA)

(73) Assignee: **Isologex Corporation**

(**) Term: **15 Years**

(21) Appl. No.: **29/730,395**

(22) Filed: **Apr. 3, 2020**

(51) **LOC (13) Cl.** **21-02**

(52) **U.S. Cl.**
USPC **D21/686**

(58) **Field of Classification Search**
USPC D21/662, 686, 677, 679, 692, 694, 703,
D21/715, 765, 756, 691, 82, 797, 796
See application file for complete search history.

(56) **References Cited**

U.S. PATENT DOCUMENTS

| | | | | | |
|-----------|------|--------|-------------|-------|------------------------|
| 3,079,914 | A * | 3/1963 | Bush | | A61H 1/02 601/23 |
| 4,696,470 | A * | 9/1987 | Fenner | | A63B 1/00 182/153 |
| 5,389,055 | A * | 2/1995 | Gangloff | | A63B 1/005 482/142 |
| 5,405,306 | A * | 4/1995 | Goldsmith | | A61H 1/0237 482/110 |
| 5,662,556 | A * | 9/1997 | Gangloff | | A63B 1/005 482/17 |
| 7,931,575 | B2 * | 4/2011 | Rochford | | A63B 21/04 482/148 |
| 7,946,961 | B2 * | 5/2011 | Blum | | A63B 6/00 482/8 |
| 8,834,327 | B1 * | 9/2014 | George, Jr. | | A63B 21/4029 482/96 |
| D731,601 | S * | 6/2015 | Bradley | | D21/686 |
| 9,289,642 | B2 * | 3/2016 | Ho | | A63B 21/00047 |

| | | | | | |
|--------------|------|--------|---------|-------|-------------------------|
| 10,617,927 | B2 * | 4/2020 | Osorio | | A63B 69/0022 |
| 2002/0055424 | A1 * | 5/2002 | Brown | | A63B 23/1209 482/91 |
| 2005/0059536 | A1 * | 3/2005 | Croft | | A63B 1/00 482/123 |
| 2006/0035750 | A1 * | 2/2006 | Weiss | | A63B 1/00 482/34 |
| 2006/0122044 | A1 * | 6/2006 | Ho | | A63B 21/0552 482/123 |
| 2009/0054215 | A1 * | 2/2009 | McBride | | A63B 21/4017 482/129 |

(Continued)

OTHER PUBLICATIONS

Isophit, announced 2017[online], [site visited on Oct. 29, 2021], Available on the internet, URL: <https://www.youtube.com/watch?v=iRpWT3OXRQc> (Year: 2017).*

Primary Examiner — Khawaja Anwar
Assistant Examiner — Julice Seung Eun Oum
(74) *Attorney, Agent, or Firm* — Forsgren Fisher; James M. Urzedowski; Daniel A. Tysver

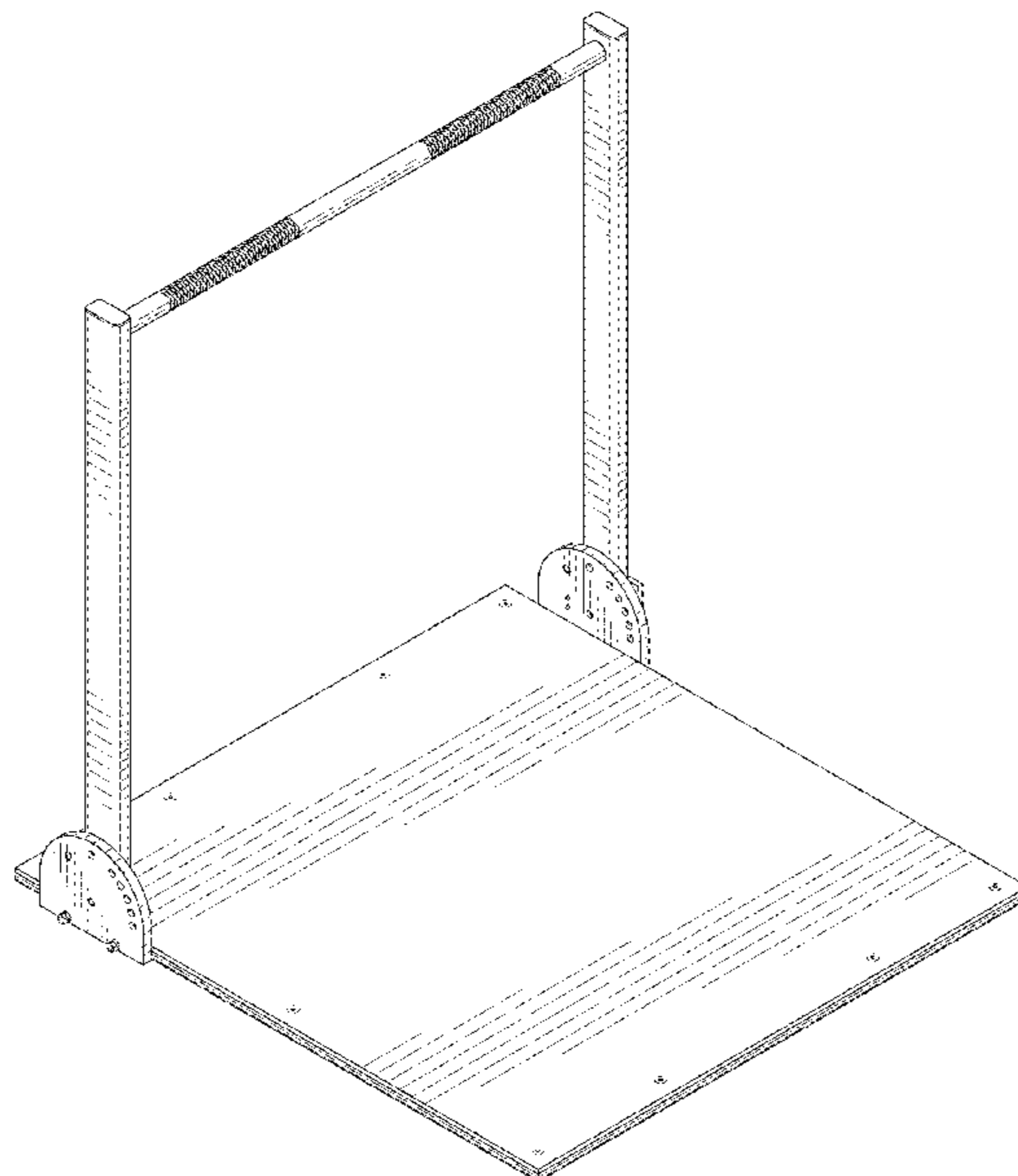
(57) **CLAIM**

The ornamental design for an exercise device, as shown and described.

DESCRIPTION

FIG. 1 is a front isometric view of a exercise device; FIG. 2 is a rear isometric view of thereof; FIG. 3 is a front plan view thereof; FIG. 4 is a rear plan view thereof; FIG. 5 is a right side view thereof; FIG. 6 is a left side view thereof; FIG. 7 is a top view thereof; and, FIG. 8 is a bottom view thereof. The broken line disclosure in all views is for illustrative purposes only and forms no part of the claimed design.

1 Claim, 8 Drawing Sheets



(56)

References Cited

U.S. PATENT DOCUMENTS

2009/0098987 A1* 4/2009 McBride A63B 21/055
482/133
2019/0325781 A1* 10/2019 Mudarra A63B 71/028
2020/0101342 A1* 4/2020 Lawton A63B 21/00181

* cited by examiner

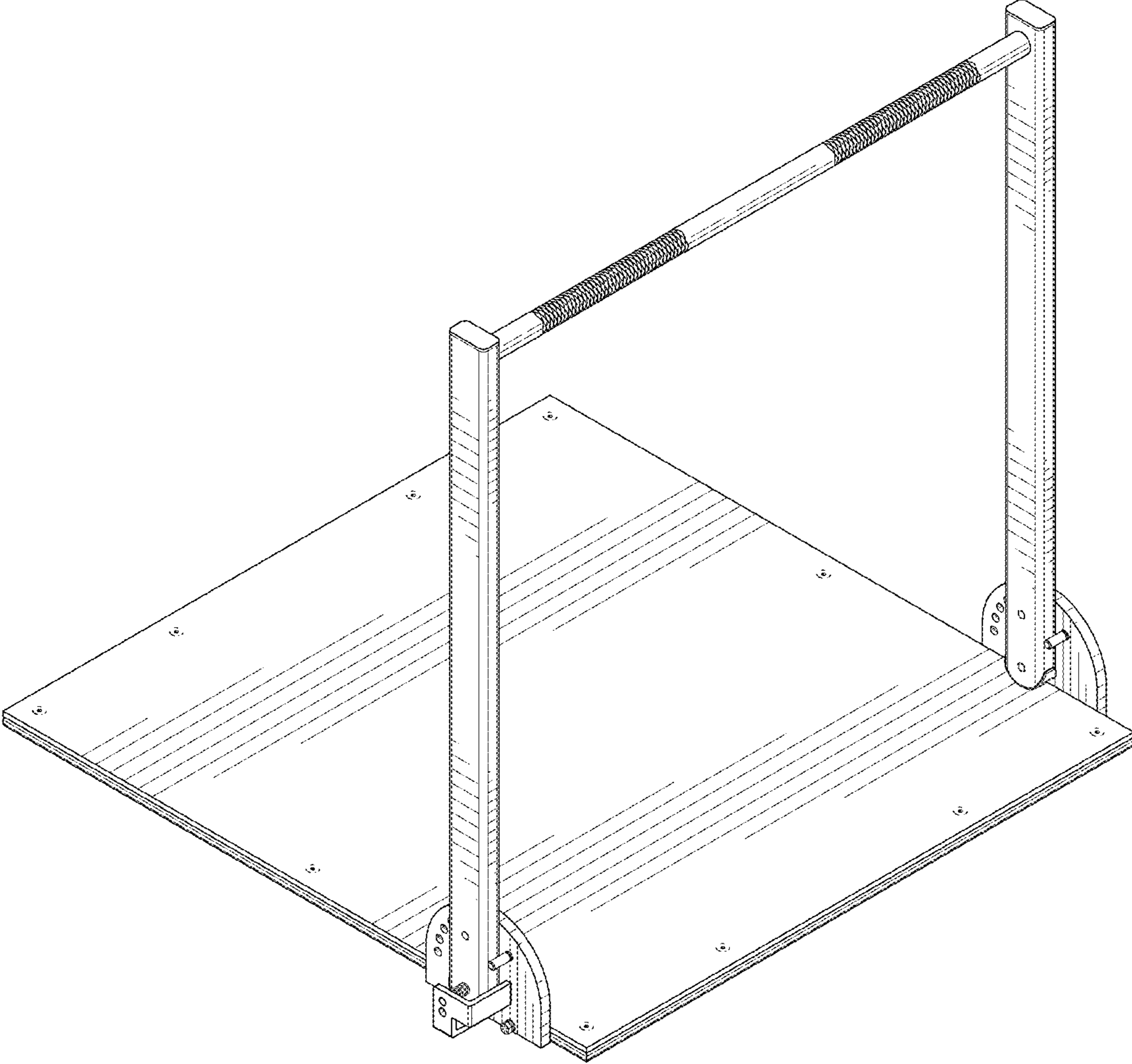


FIG.1

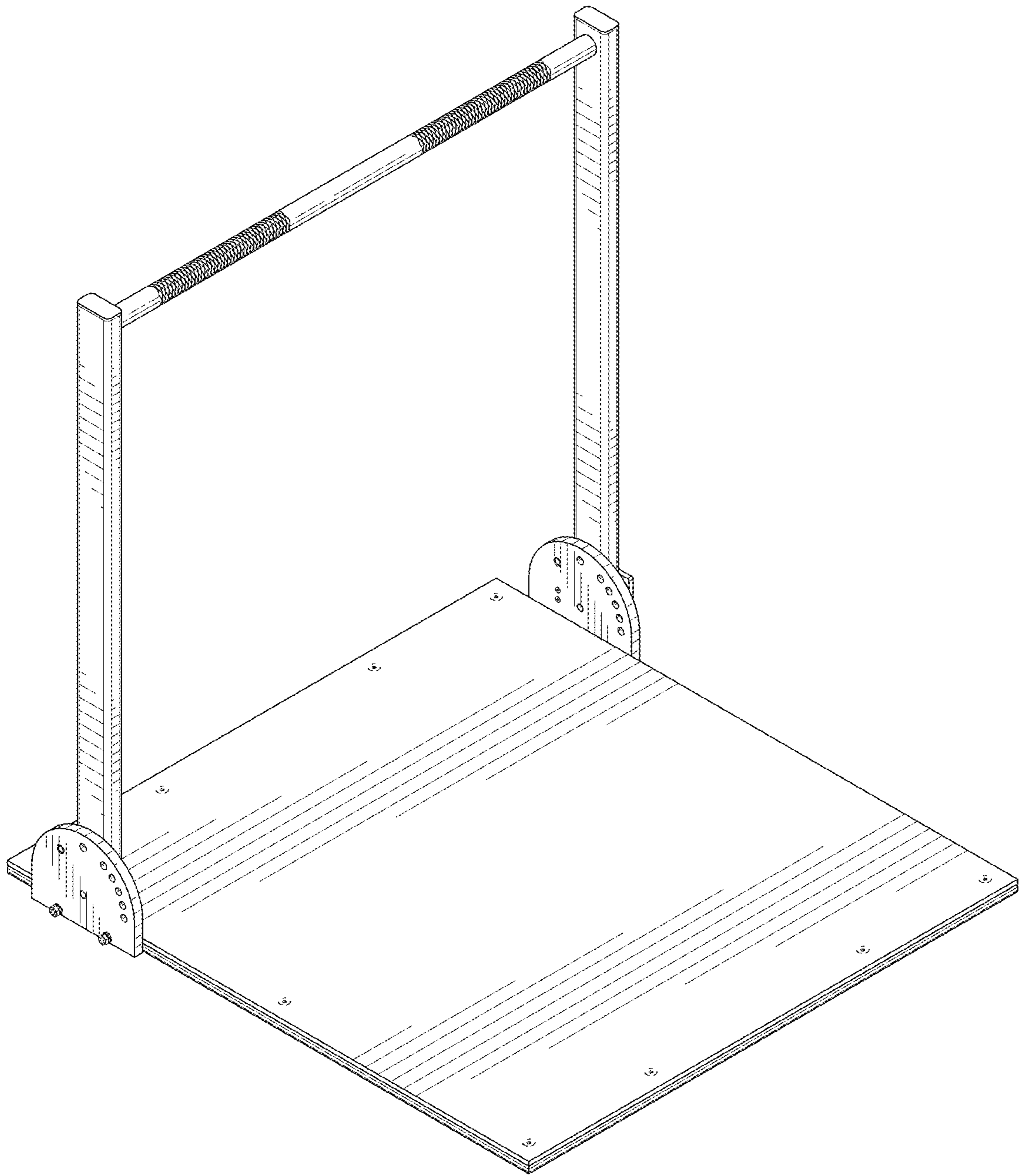


FIG.2

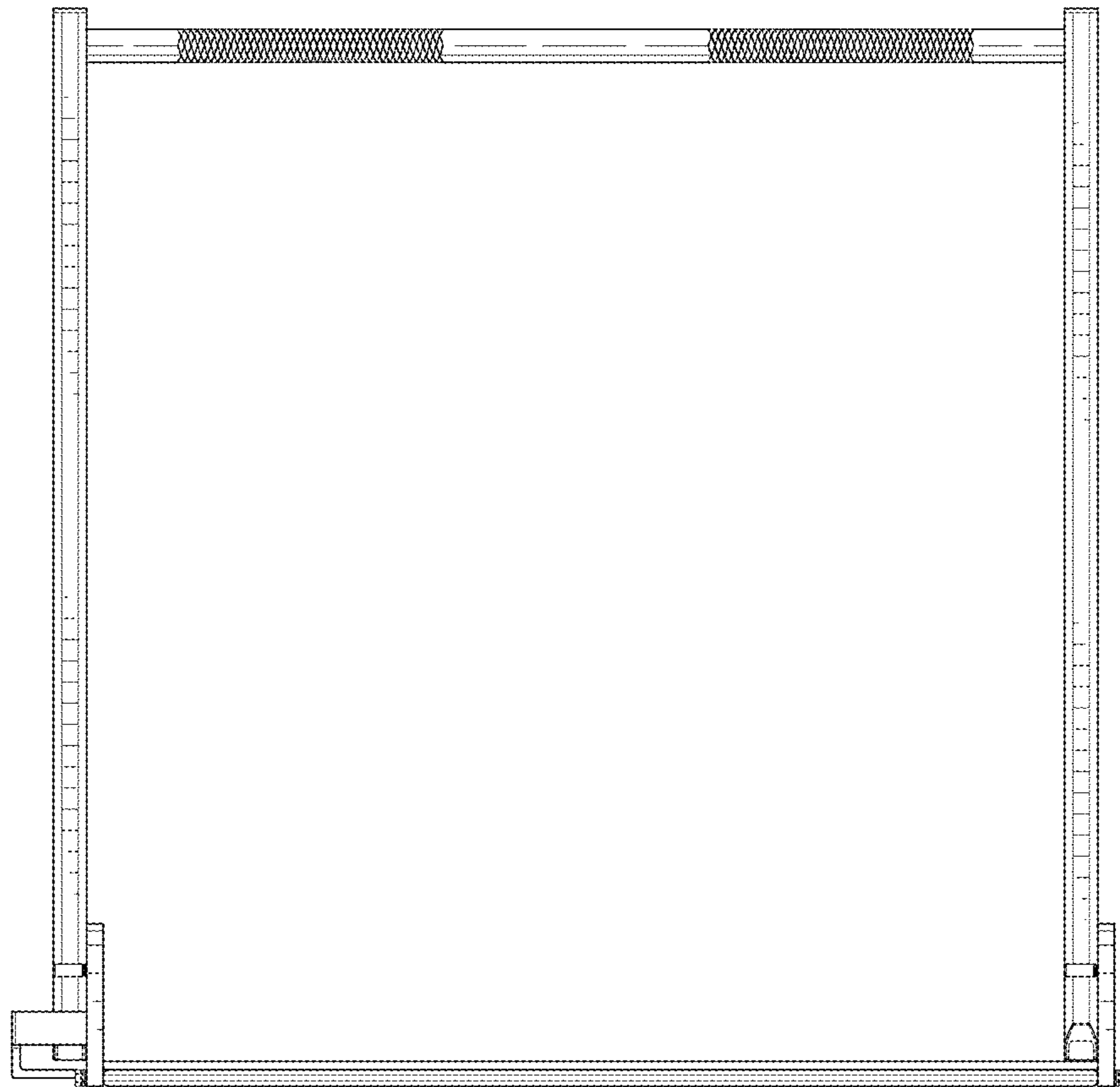


FIG.3

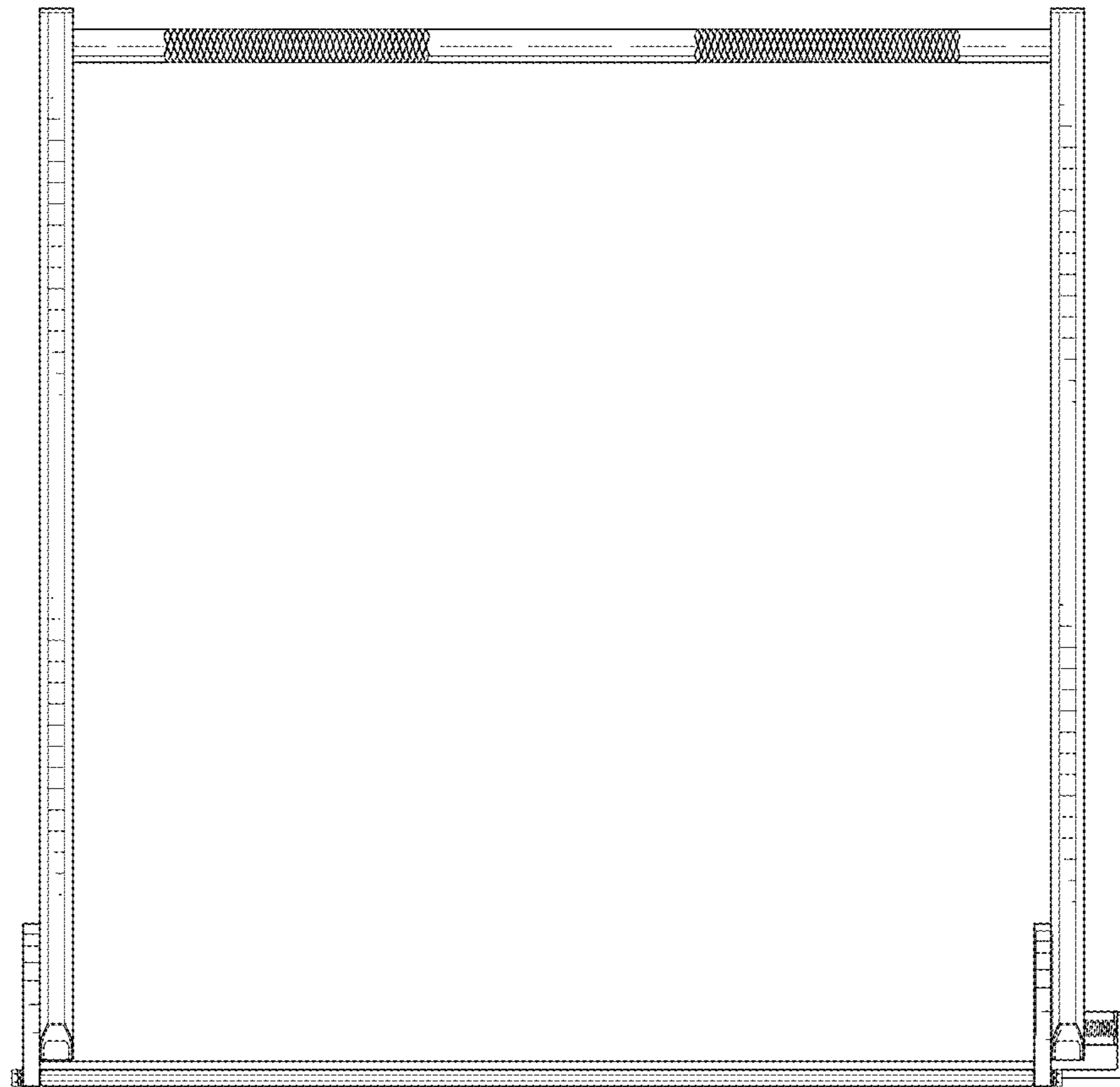


FIG.4

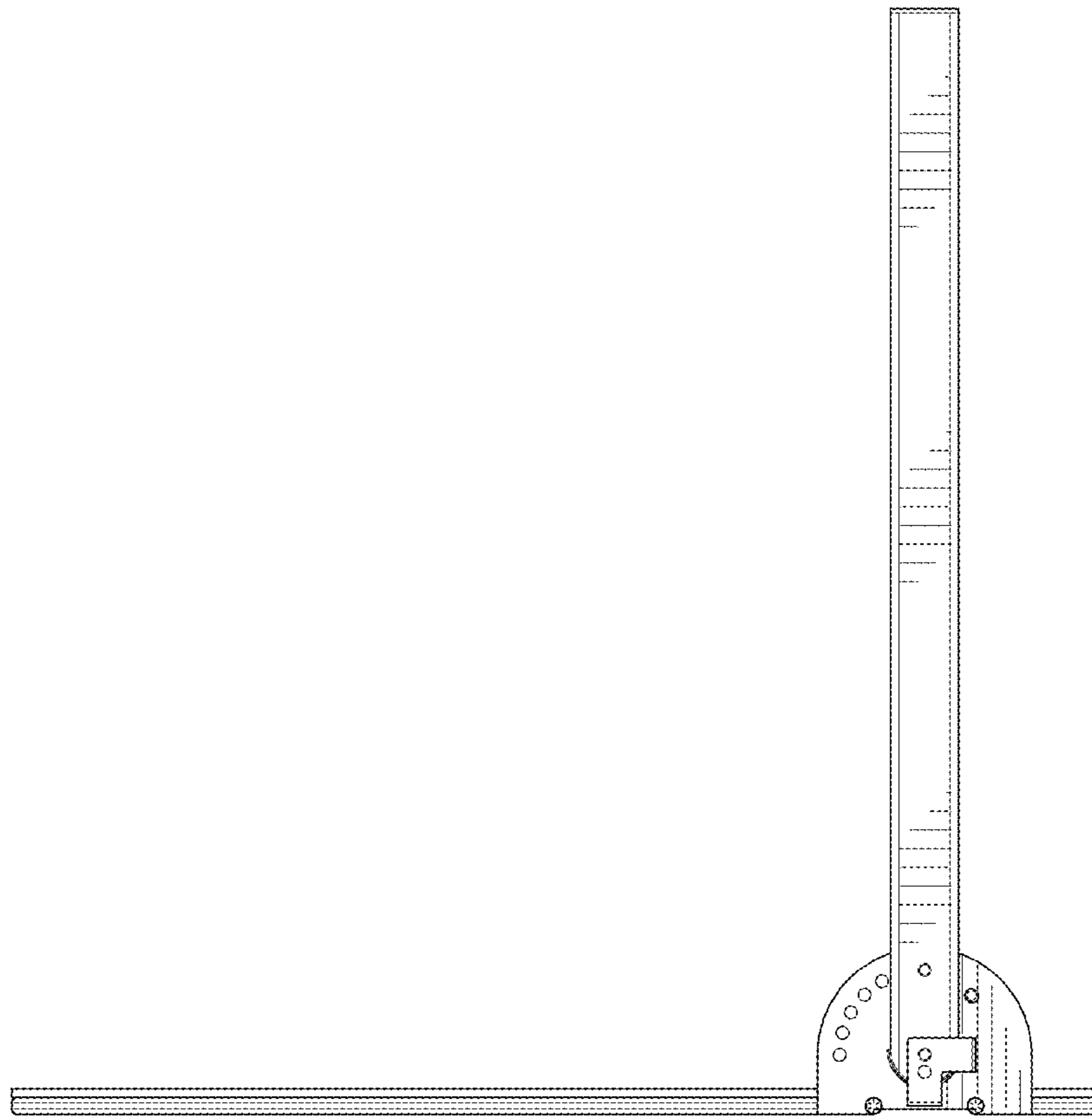


FIG.5

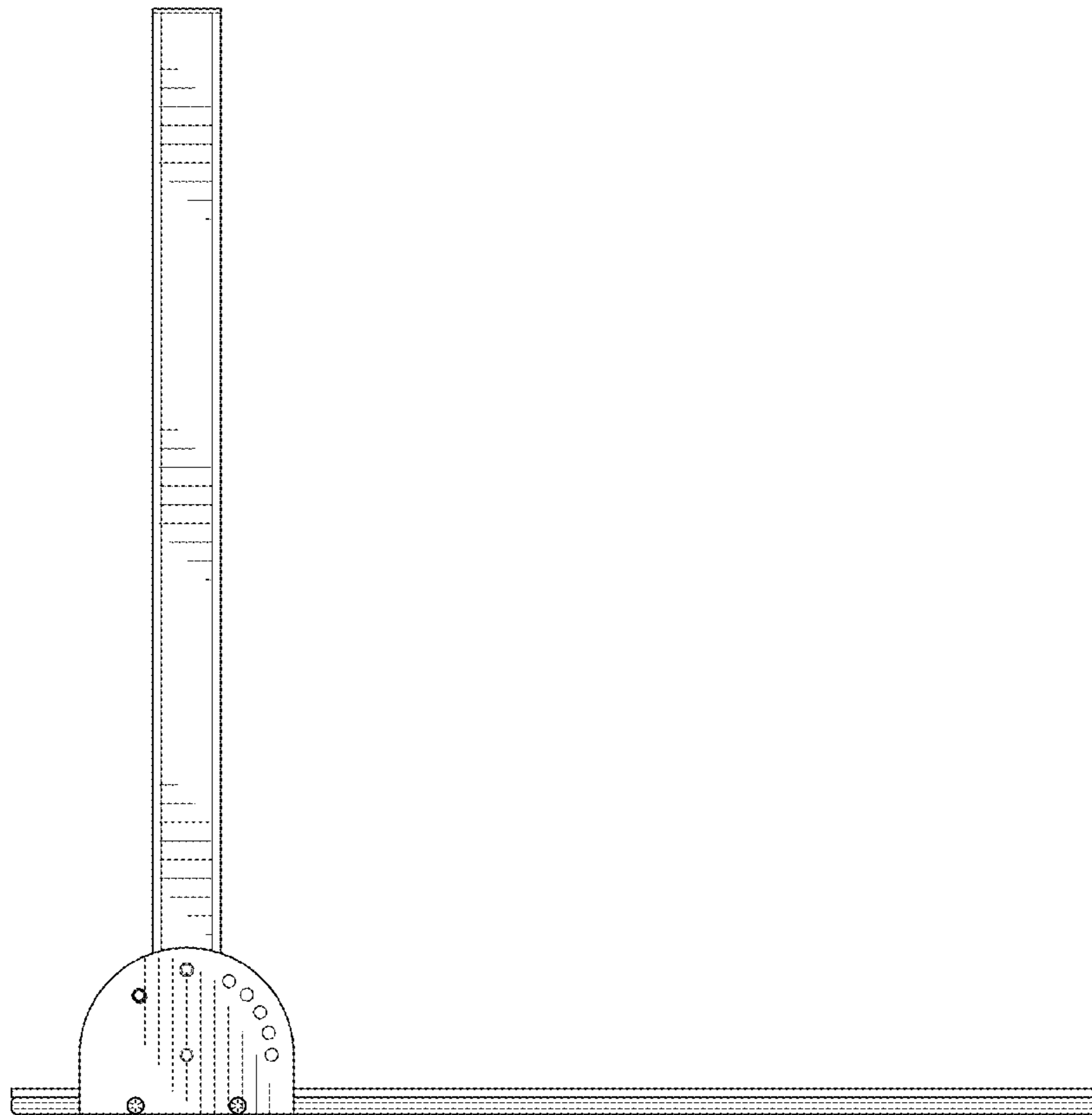


FIG. 6

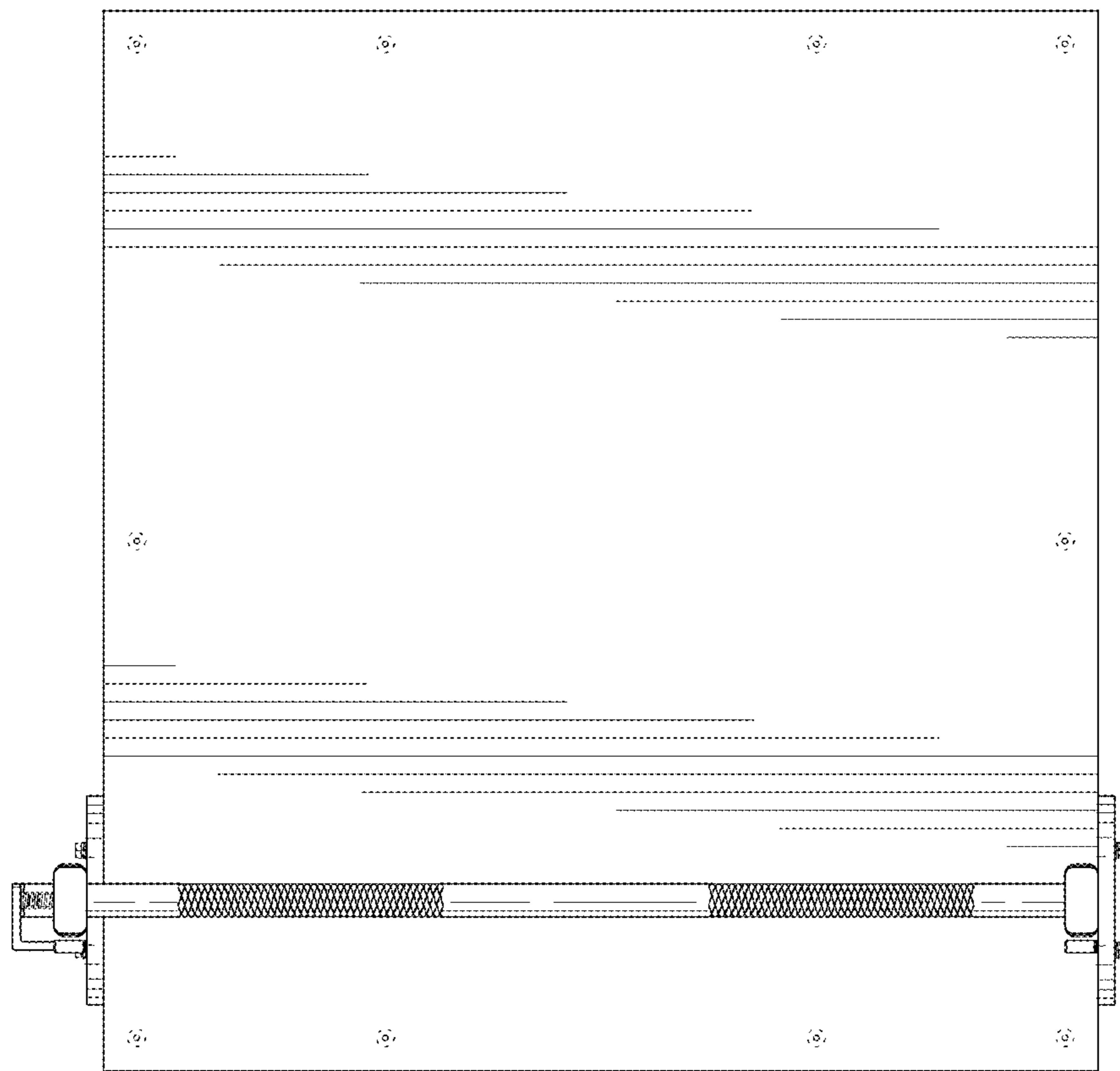


FIG.7

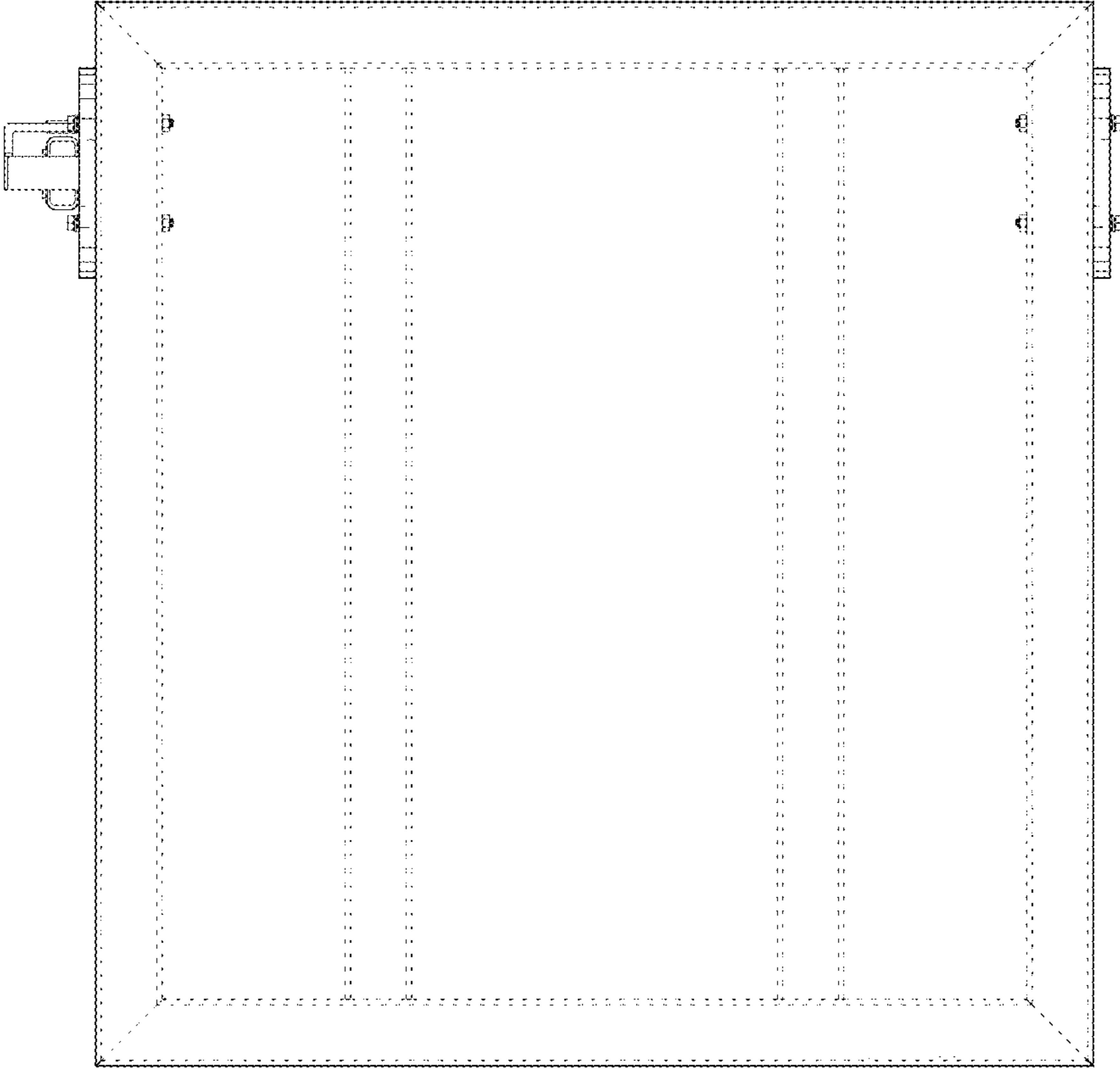


FIG.8