

US00D958906S

(12) **United States Design Patent** (10) **Patent No.:** **US D958,906 S**
Chen (45) **Date of Patent:** **** Jul. 26, 2022**

(54) **PULL ROPE**
(71) Applicant: **Xiwen Chen**, Wujin (CN)
(72) Inventor: **Xiwen Chen**, Wujin (CN)
(73) Assignee: **Junlong Sports Co., Limited**, Chang Zhou (CN)
(**) Term: **15 Years**
(21) Appl. No.: **29/734,473**
(22) Filed: **May 13, 2020**
(51) **LOC (13) Cl.** **21-02**
(52) **U.S. Cl.**
USPC **D21/662**
(58) **Field of Classification Search**
USPC D8/330, 303; D6/331; D21/671, 787,
D21/798, 826, 694, 692, 691, 690, 688,
D21/687, 686, 684, 679, 673, 662;
D30/153
CPC A63B 21/4017; A63B 21/0552; A63B
21/0557; A63B 21/00043; A63B 23/12;
A63B 21/4035; A63B 21/0442
See application file for complete search history.

2009/0176634 A1* 7/2009 Wu A63B 21/0552
482/122
2019/0283967 A1* 9/2019 Doherty A62B 3/00
2021/0170235 A1* 6/2021 Cone A63B 26/003
2021/0353995 A1* 11/2021 Erb A63B 21/4019
2021/0370122 A1* 12/2021 Mohieldin A63B 21/0552

FOREIGN PATENT DOCUMENTS

GB 6116917 * 2/2021

OTHER PUBLICATIONS

TRIBE Single Resistance Bands Set, first available Jul. 16, 2016, amazon.com [online], site visited [Mar. 10, 2022], Available from internet URL: <https://amzn.to/3I0CPyK> (Year: 2016).*

* cited by examiner

Primary Examiner — Jack Reickel
Assistant Examiner — Salamah Jordan

(57) **CLAIM**

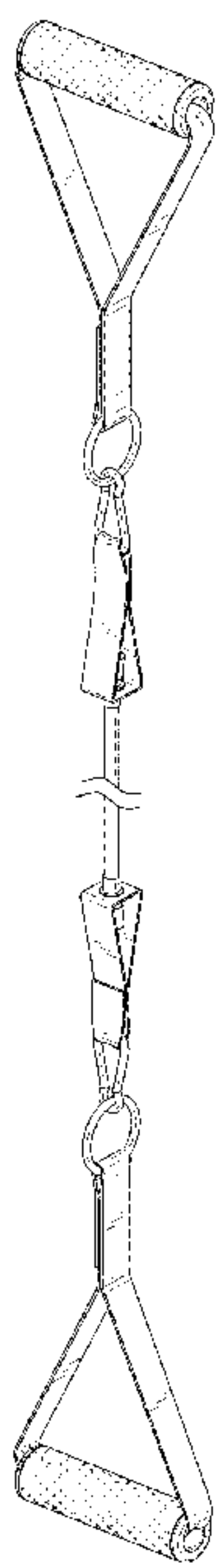
The ornamental design for a pull rope, as shown and described.

DESCRIPTION

FIG. 1 is a front perspective view of a pull rope showing my new design;
FIG. 2 is a front elevational view thereof;
FIG. 3 is a rear elevational view thereof;
FIG. 4 is a left side elevational view thereof;
FIG. 5 is a right side elevational view thereof;
FIG. 6 is a top plan view thereof; and,
FIG. 7 is a bottom plan view thereof.
The claimed design is shown with a symbolic break in its length. The appearance of any portion of the article between the break lines form no part of the claimed design.

(56) **References Cited**
U.S. PATENT DOCUMENTS
D262,228 S * 12/1981 Docic D21/693
D287,868 S * 1/1987 Whaley D21/672
D358,625 S * 5/1995 Enriquez, Jr. D29/101.1
D654,124 S * 2/2012 Davis D21/662
D657,008 S * 4/2012 Markovic D21/662
D870,218 S * 12/2019 Sudell D21/692
D872,200 S * 1/2020 Antezana D21/692
2005/0192169 A1* 9/2005 Girgen A61B 17/42
482/139

1 Claim, 7 Drawing Sheets



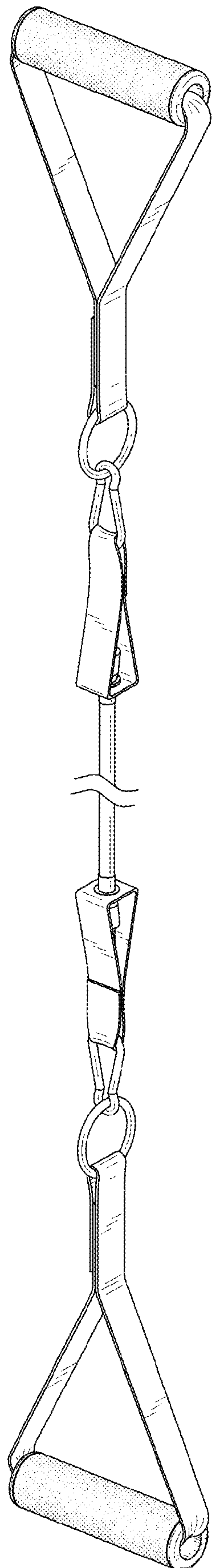


FIG. 1

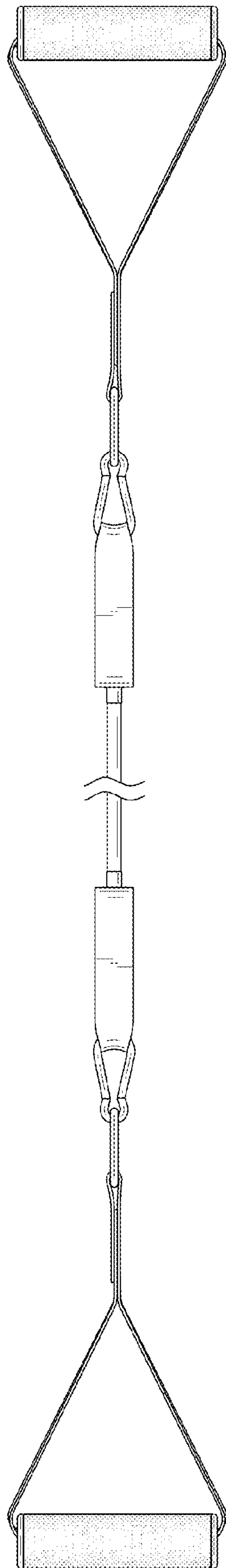


FIG. 2

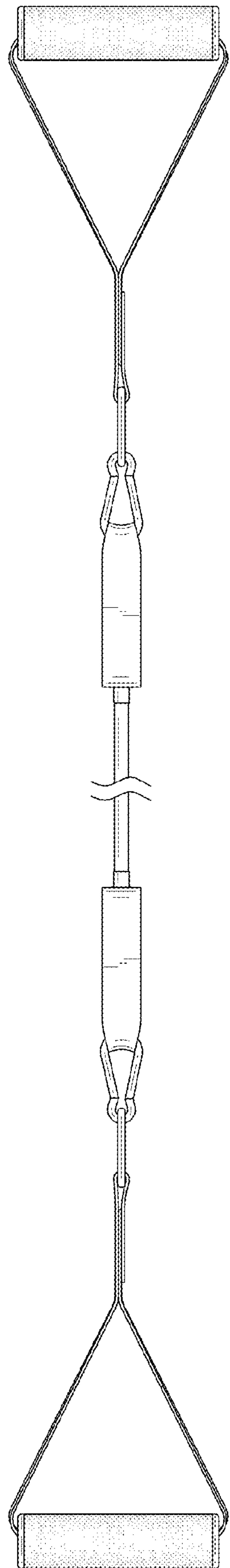


FIG. 3

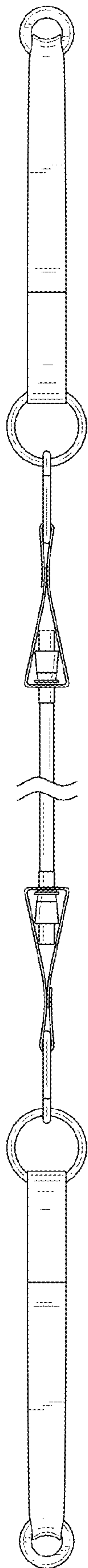


FIG. 4

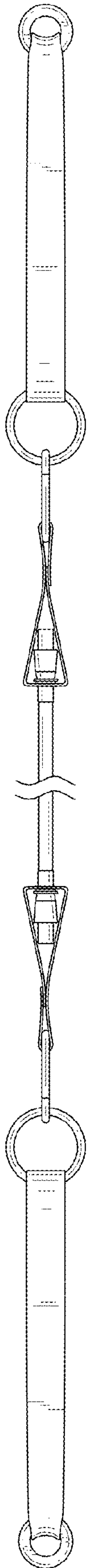


FIG. 5

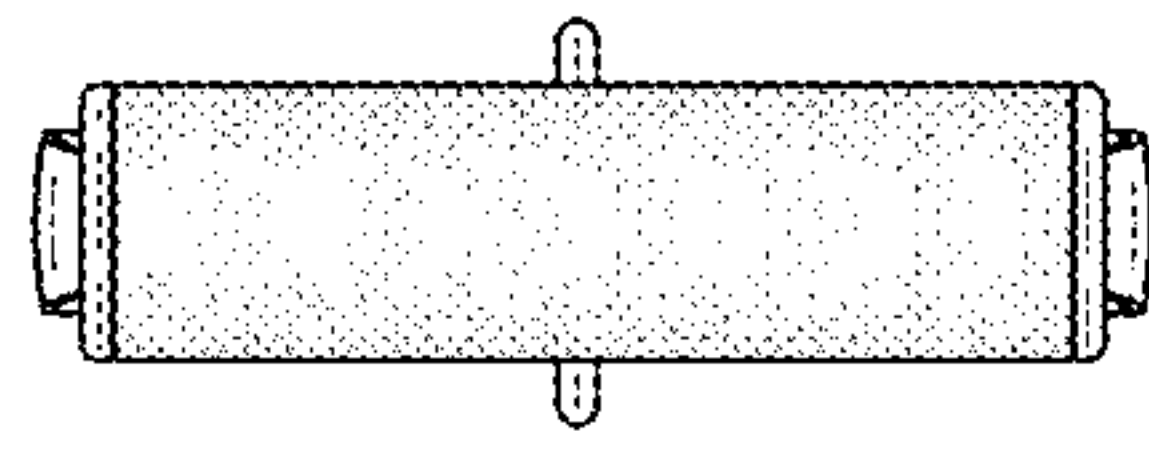


FIG. 6

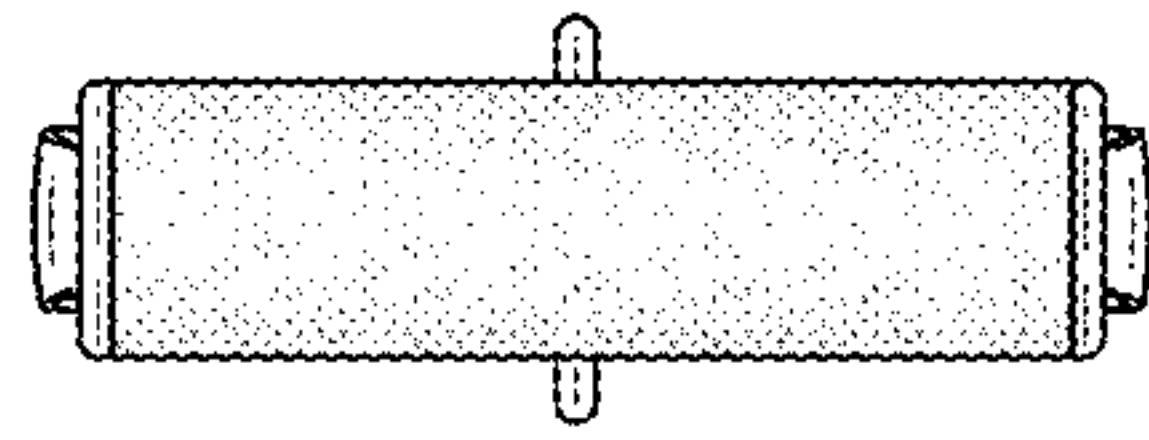


FIG. 7