



US00D958902S

(12) **United States Design Patent**
Bando et al.

(10) **Patent No.:** **US D958,902 S**
(45) **Date of Patent:** **** Jul. 26, 2022**

(54) **ACCESSORY FOR SPINNING TOP TOY**
(71) Applicant: **TOMY COMPANY, LTD.**, Tokyo (JP)
(72) Inventors: **Yohei Bando**, Tokyo (JP); **Hiroyuki Matsukawa**, Tokyo (JP)
(73) Assignee: **TOMY COMPANY, LTD.**, Tokyo (JP)
(**) Term: **15 Years**

D839,967 S * 2/2019 Horikoshi D21/460
D855,119 S * 7/2019 Saito D21/460
D875,845 S * 2/2020 Muraki D21/460
(Continued)

FOREIGN PATENT DOCUMENTS

JP D1657304 * 4/2020
JP D1657305 * 4/2020
(Continued)

(21) Appl. No.: **29/726,934**
(22) Filed: **Mar. 6, 2020**

OTHER PUBLICATIONS

Super Hyperion.Xc.1A, available on YouTube.com, date posted Mar. 28, 2020, [site visited Nov. 16, 2020], available URL: <https://www.youtube.com/watch?v=ynBcC7s-qMo> (Year: 2020).*
(Continued)

(30) **Foreign Application Priority Data**

Oct. 9, 2019 (JP) 2019-022604

(51) **LOC (13) Cl.** **21-01**
(52) **U.S. Cl.**
USPC **D21/460**
(58) **Field of Classification Search**
USPC D21/454, 455, 459, 460-464, 385,
D21/436-443
CPC .. A63H 1/00-10; A63H 1/12; A63H 1/22-26;
A63F 9/16; A63F 5/041
See application file for complete search history.

Primary Examiner — Dana K Weiland
Assistant Examiner — Emily Anna Saunders
(74) *Attorney, Agent, or Firm* — Oliff PLC

(57) **CLAIM**

The ornamental design for an accessory for spinning top toy, as shown and described.

DESCRIPTION

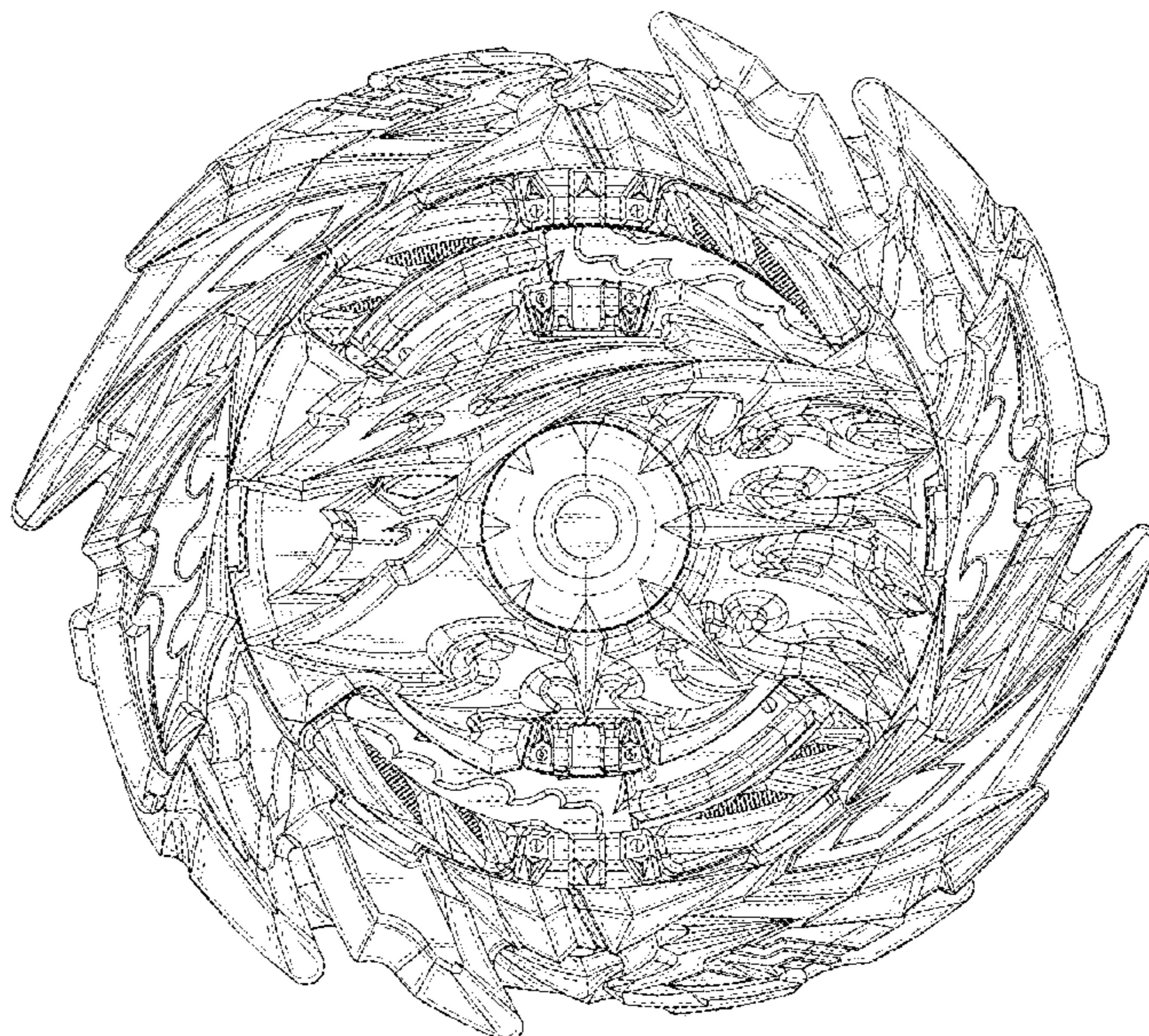
FIG. 1 is a front elevational view of the accessory for spinning top toy;
FIG. 2 is a rear elevational view thereof;
FIG. 3 is a left-side elevational view thereof;
FIG. 4 is a right-side elevational view thereof;
FIG. 5 is a top plan view thereof;
FIG. 6 is a bottom plan view thereof;
FIG. 7 is a front, right-side, top perspective view thereof;
FIG. 8 is a front, right-side, top disassembled perspective view thereof; and,
FIG. 9 is a rear, left-side, bottom disassembled perspective view thereof.

(56) **References Cited**

U.S. PATENT DOCUMENTS

D155,015 S * 8/1949 Krapp D21/460
D358,659 S * 5/1995 Rohrabacher D21/443
D464,088 S * 10/2002 Hu D21/443
D666,253 S * 8/2012 Ujita D21/460
D677,739 S * 3/2013 Wojtaszek D21/443
D820,916 S * 6/2018 Zawitz D21/443
D825,670 S * 8/2018 Muraki D21/460
D825,671 S * 8/2018 Horikoshi D21/460
D825,673 S * 8/2018 Matsukawa D21/460
D835,209 S * 12/2018 Hashiba D21/460
D835,724 S * 12/2018 Muraki D21/460

1 Claim, 9 Drawing Sheets



(56)

References Cited

U.S. PATENT DOCUMENTS

D883,399 S *	5/2020	He	D21/460
D889,564 S *	7/2020	Horikoshi	D21/460
D910,768 S *	2/2021	Matsukawa	D21/460
D910,769 S *	2/2021	Matsukawa	D21/460
D910,774 S *	2/2021	Bando	D21/460
D912,162 S *	3/2021	Muraki	D21/460
2014/0302743 A1 *	10/2014	Cai	A63H 1/18 446/256

FOREIGN PATENT DOCUMENTS

WO	WO-D209907-002	*	8/2020
WO	WO-D208618-003	*	12/2020

OTHER PUBLICATIONS

New Super Hyperion Xceed 1A B-159 Beyblade, available on YouTube.com, date posted: Mar. 30, 2020, [site visited Nov. 16,

2020], available URL: <https://www.youtube.com/watch?v=jDRE3f4SiZI> (Year: 2020).*

Super Hyperion.Xc 1A Unboxing & Review!!, available on YouTube.com, date posted: Mar. 31, 2020, [site visited Nov. 16, 2020], available URL: <https://www.youtube.com/watch?v=raoRm4TYkl4> (Year: 2020).*

Super Hyperion Xceed 1A Booster (B-159) Unboxing, available on YouTube.com, date posted: Apr. 2, 2020, [site visited Nov. 16, 2021], available URL: <https://www.youtube.com/watch?v=ydFuJzYlvuE> (Year: 2020).*

Takara Tomy Beyblade Burst Hyperion, oldest customer review Oct. 30, 2020, [site visited Nov. 15, 2021], available URL: <https://malloftoys.com/collections/takaratomy/products/takara-tomy-beyblade-burst-b-159-booster-super-hyperion-xc-1a> (Year: 2020).*

Battling Top Burst B159 High Performance Gyro, available on Amazon.com, oldest customer review Jul. 16, 2020, [site visited Nov. 15, 2021], available URL: <https://www.amazon.com/Booster-Hyperion-Attack-Bayblade-Collection/dp/B0892CWLZK/> (Year: 2020).*

* cited by examiner

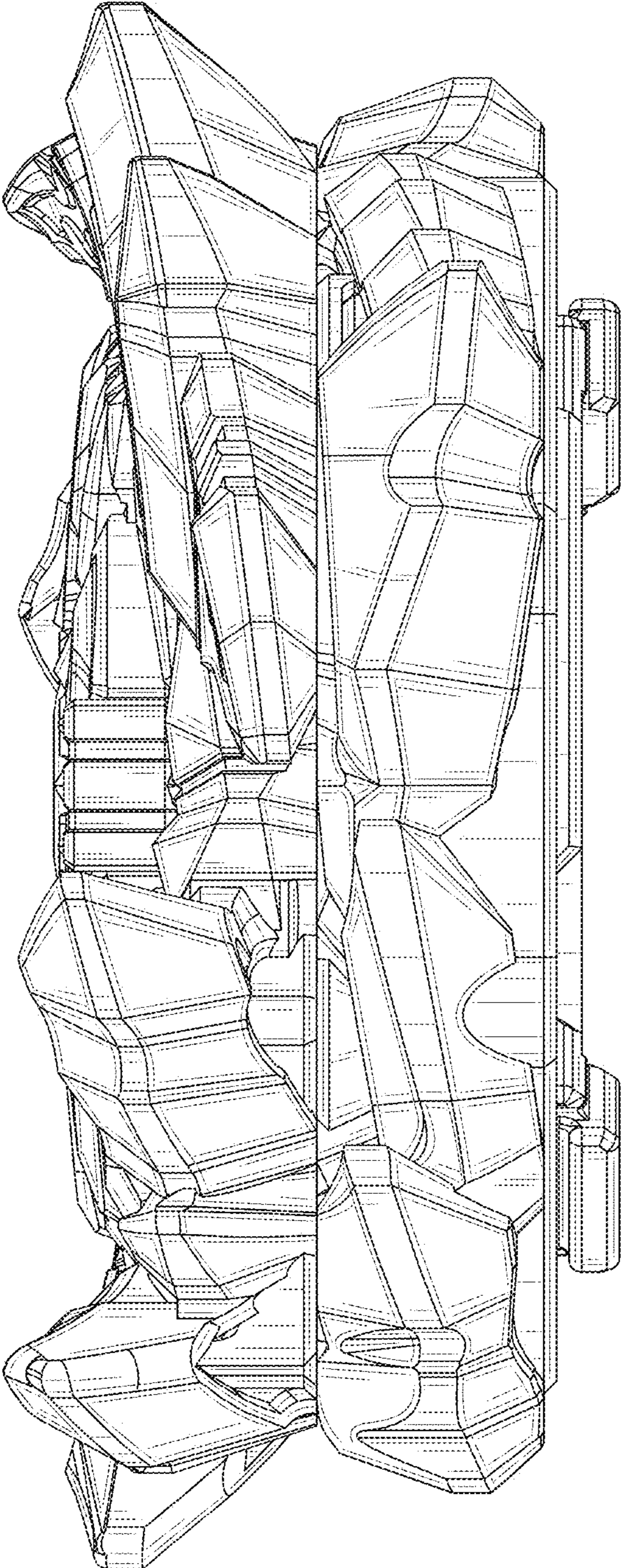


FIG. 1

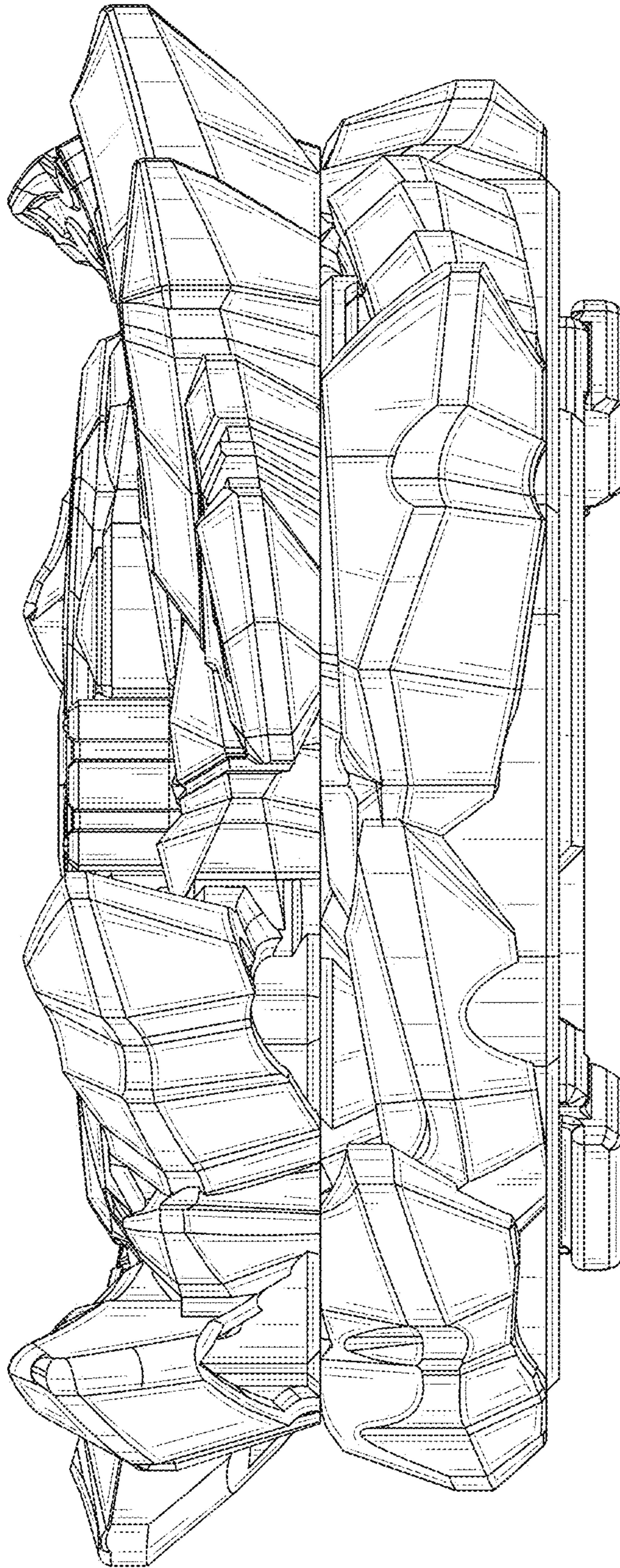


FIG. 2

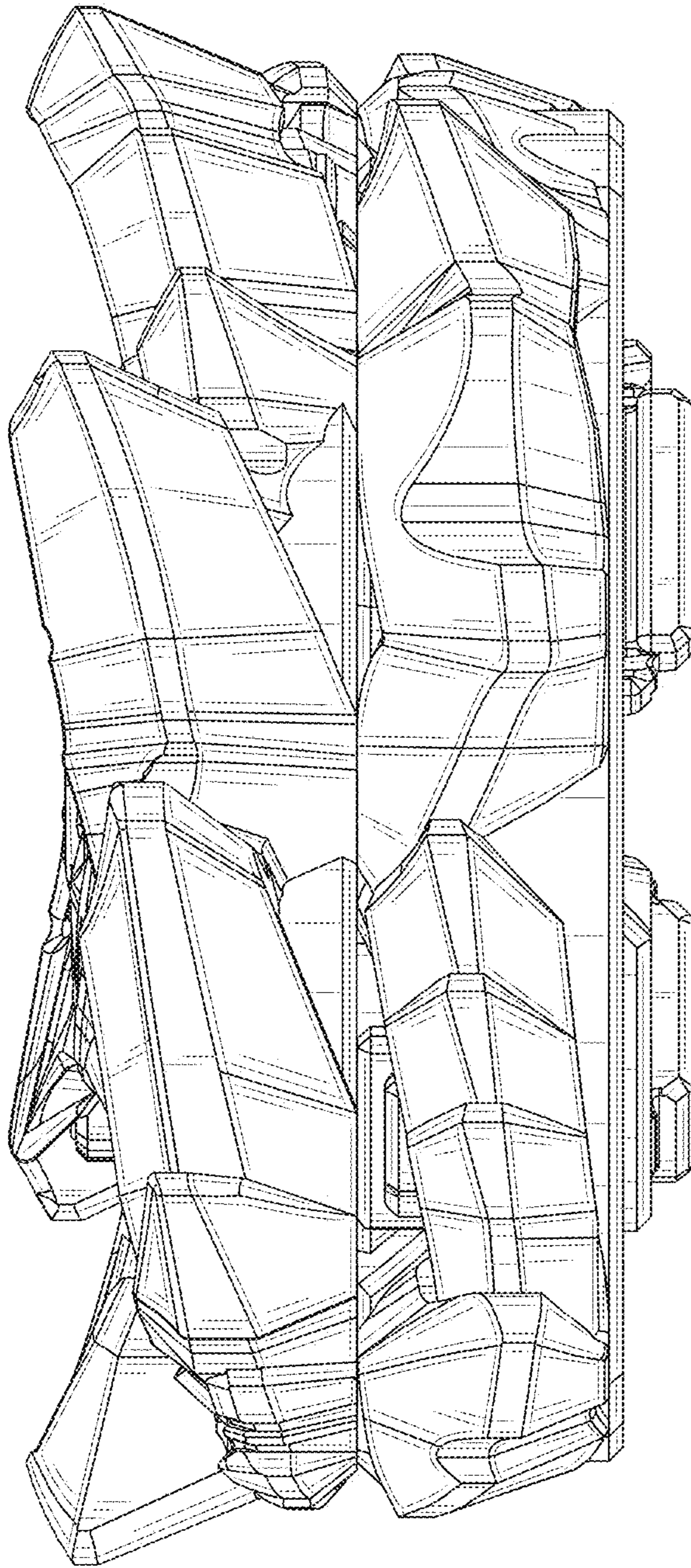


FIG. 3

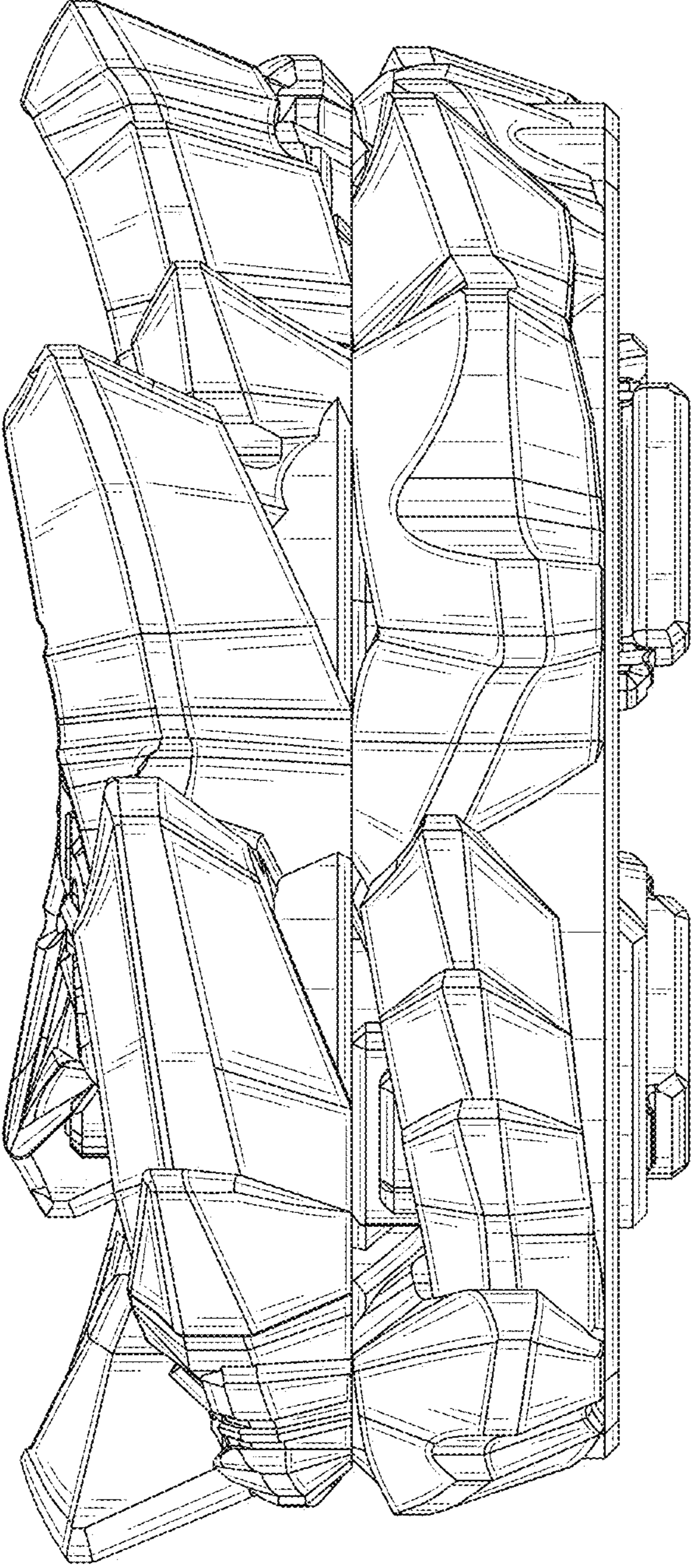


FIG. 4



FIG. 5

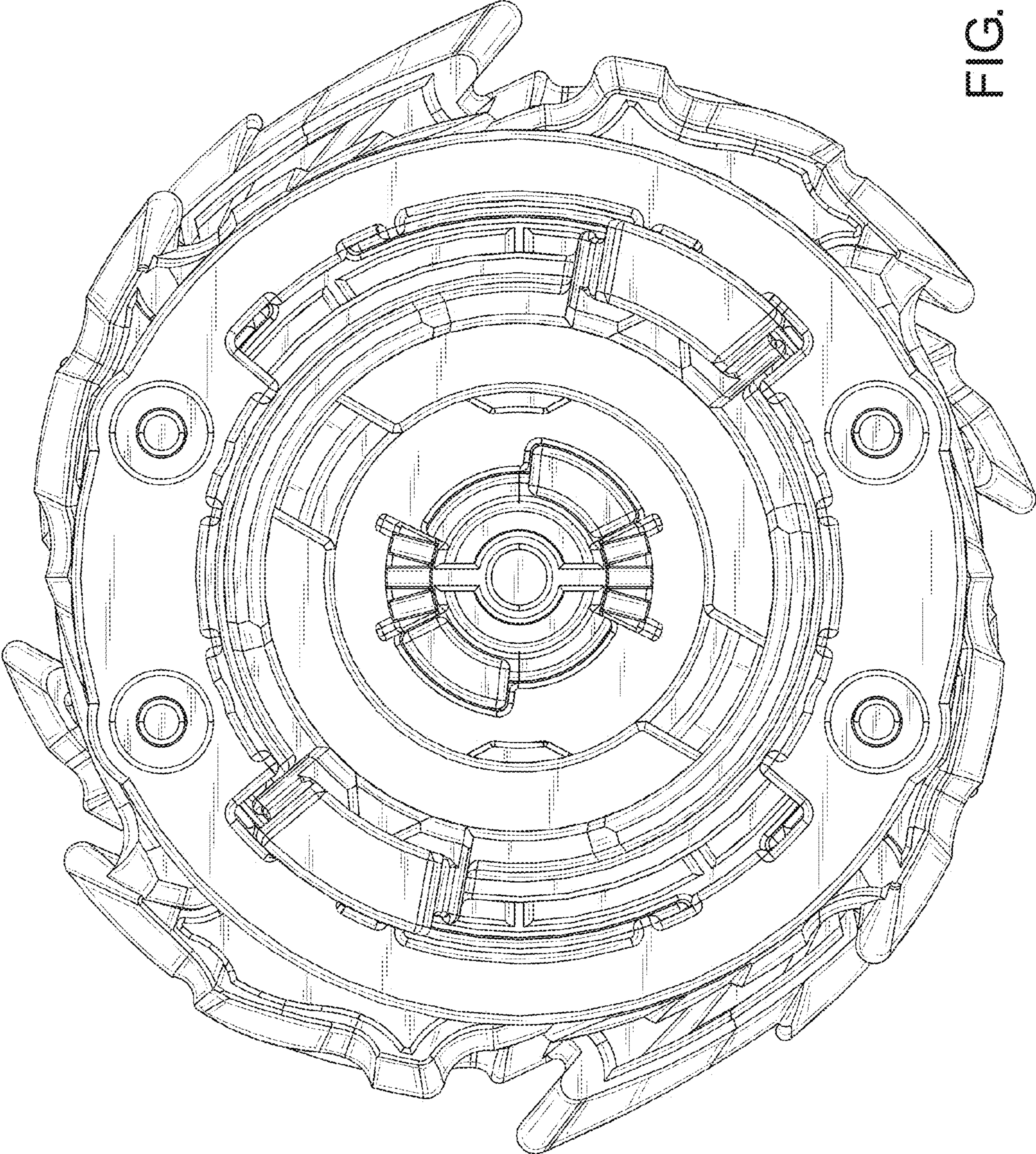


FIG. 6

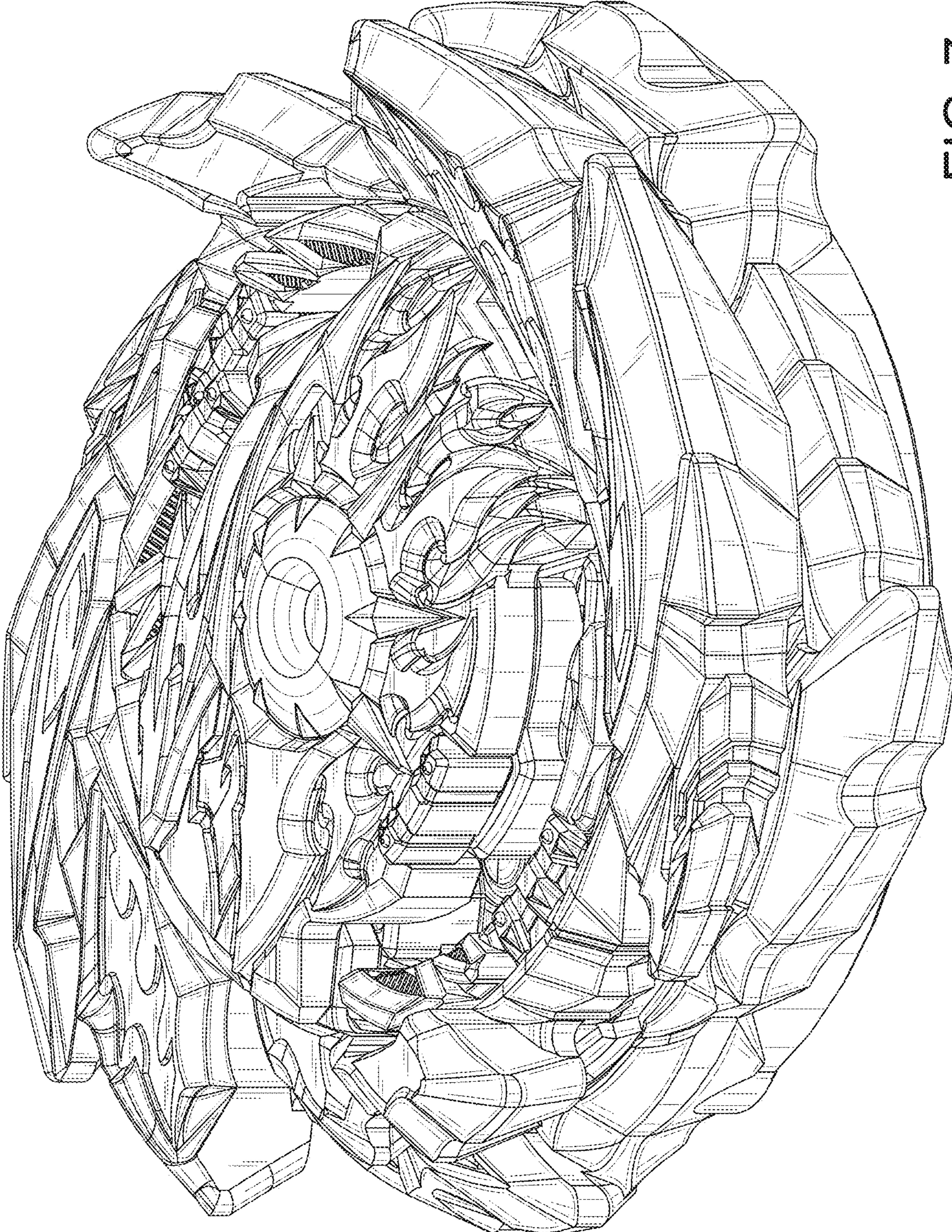


FIG. 7

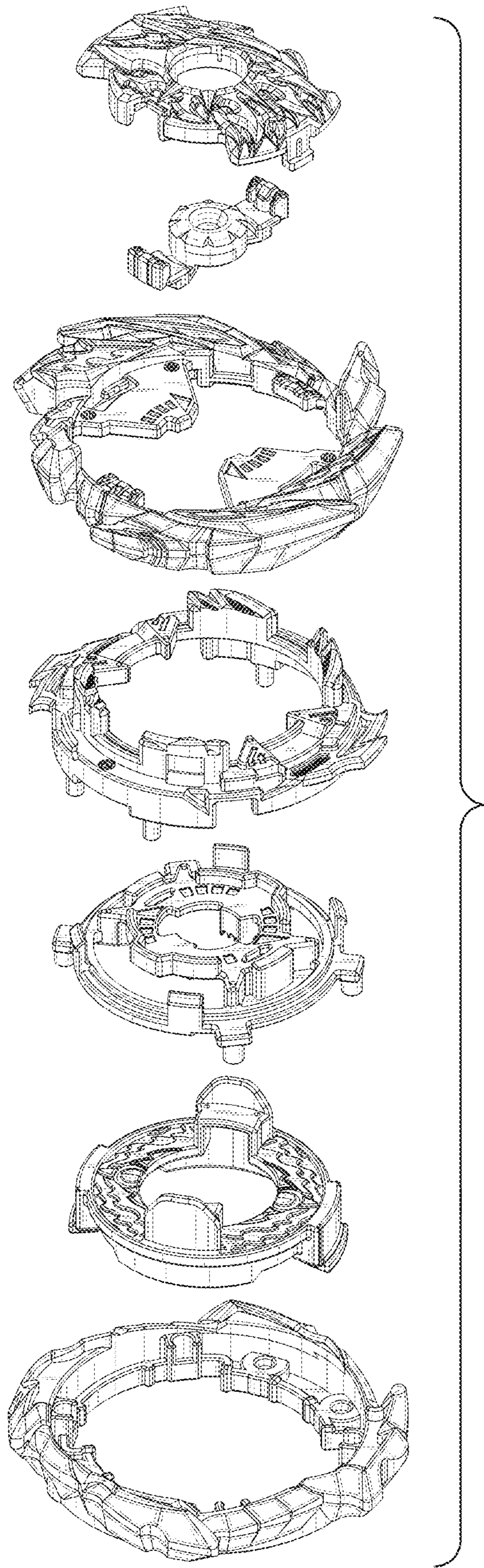


FIG. 8

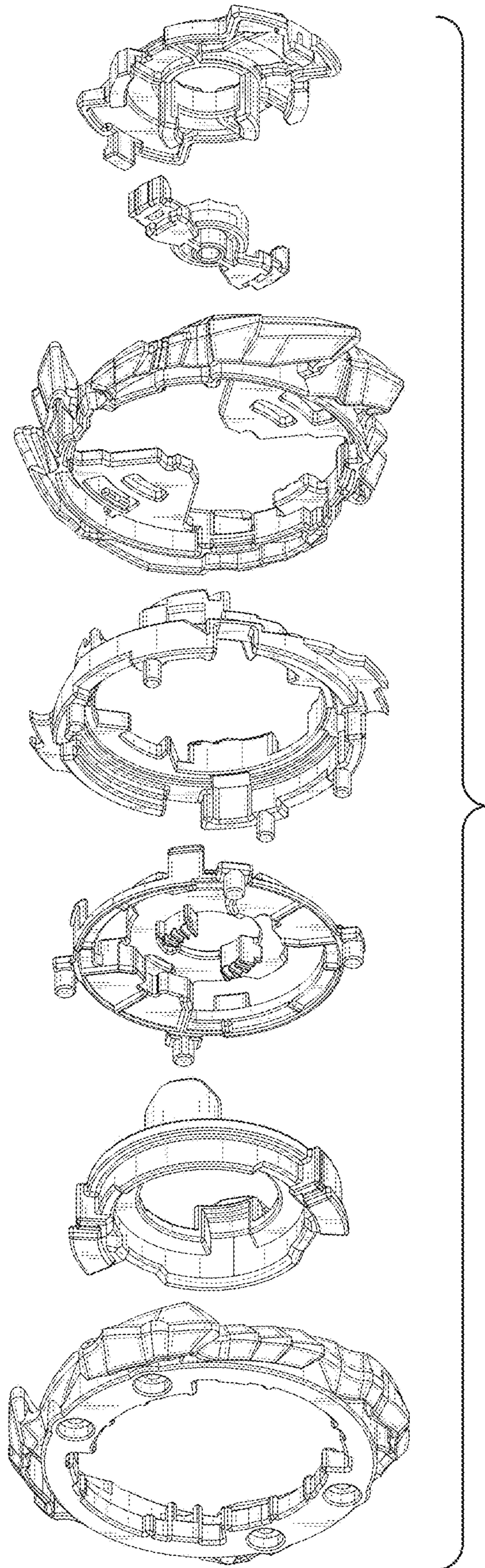


FIG. 9