



US00D958901S

(12) **United States Design Patent**  
**Muraki et al.**

(10) **Patent No.:** **US D958,901 S**  
(45) **Date of Patent:** **\*\* Jul. 26, 2022**

- (54) **ACCESSORY FOR SPINNING TOP TOY**
- (71) Applicant: **TOMY COMPANY, LTD.**, Tokyo (JP)
- (72) Inventors: **Makoto Muraki**, Tokyo (JP); **Hiroyuki Matsukawa**, Tokyo (JP)
- (73) Assignee: **TOMY COMPANY, LTD.**, Tokyo (JP)
- (\*\*) Term: **15 Years**

D891,527 S \* 7/2020 Hama ..... D21/460  
 D892,942 S \* 8/2020 Muraki ..... D21/460  
 D910,768 S \* 2/2021 Matsukawa ..... D21/460  
 D910,769 S \* 2/2021 Matsukawa ..... D21/460  
 (Continued)

**FOREIGN PATENT DOCUMENTS**

CN 306119404 \* 10/2020

**OTHER PUBLICATIONS**

Takara Tomy Beyblade Burst Takaratomy B-160 King Helios, available on Amazon.co.uk, date first available Mar. 16, 2020, [site visited: Nov. 12, 2021], available URL: <https://www.amazon.co.uk/Takara-Beyblade-Burst-Booster-Helios-Zn/dp/B085RZPJSM/> (Year: 2020).\*

(Continued)

*Primary Examiner* — Dana K Weiland  
*Assistant Examiner* — Emily Anna Saunders  
(74) *Attorney, Agent, or Firm* — Oliff PLC

(57) **CLAIM**

The ornamental design for an accessory for spinning top toy, as shown and described.

**DESCRIPTION**

FIG. 1 is a front elevational view of the accessory for spinning top toy;  
 FIG. 2 is a rear elevational view thereof;  
 FIG. 3 is a left-side elevational view thereof;  
 FIG. 4 is a right-side elevational view thereof;  
 FIG. 5 is a top plan view thereof;  
 FIG. 6 is a bottom plan view thereof;  
 FIG. 7 is a front, right-side, top perspective view thereof;  
 FIG. 8 is a front, right-side, top disassembled perspective view thereof; and,  
 FIG. 9 is a rear, left-side, bottom disassembled perspective view thereof.

**1 Claim, 9 Drawing Sheets**

(30) **Foreign Application Priority Data**

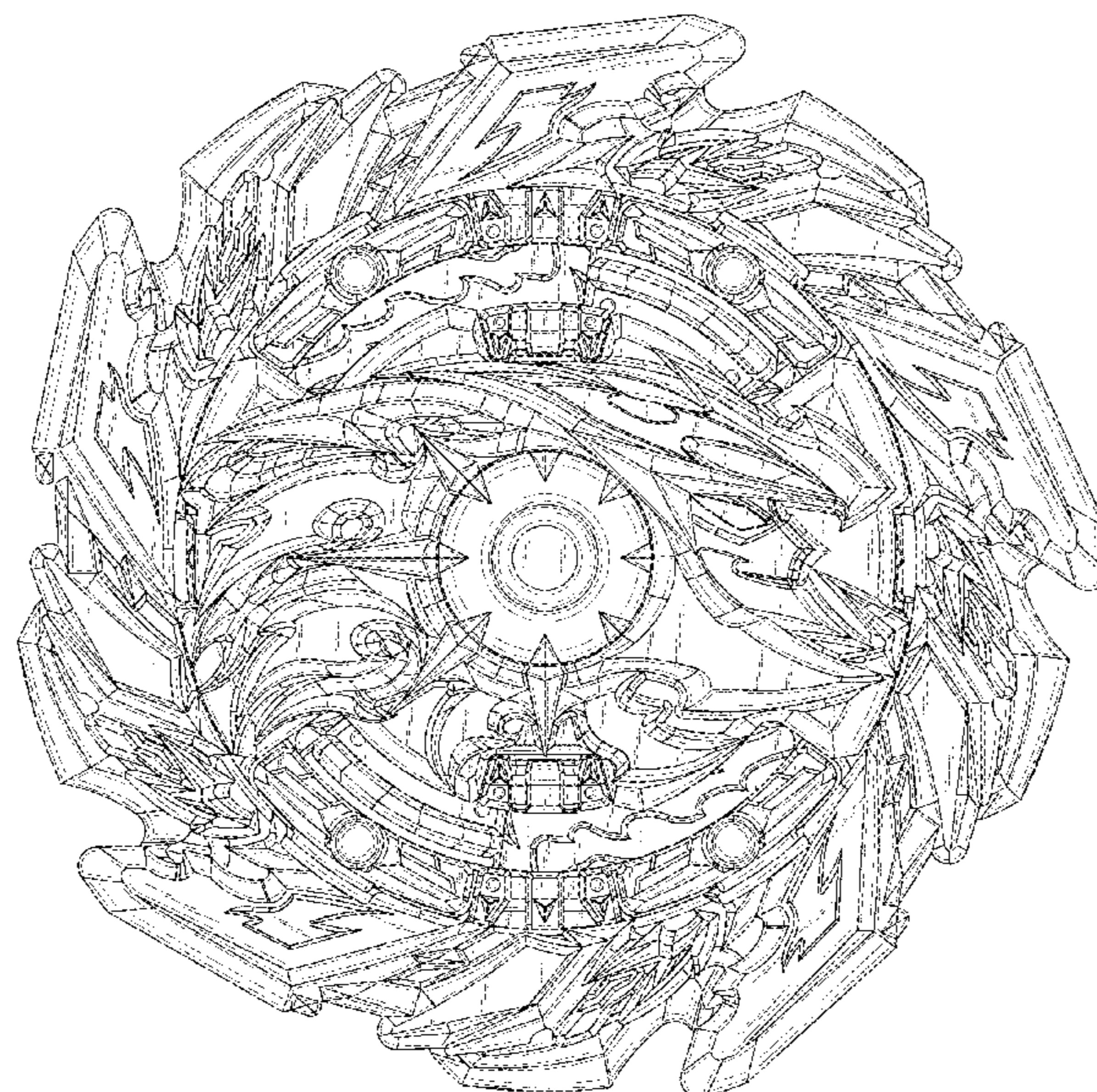
Oct. 9, 2019 (JP) ..... 2019-022605

- (51) **LOC (13) Cl.** ..... **21-01**
- (52) **U.S. Cl.**  
USPC ..... **D21/460**
- (58) **Field of Classification Search**  
USPC ..... D21/454, 455, 459, 460–464, 385,  
D21/436–443  
CPC .. A63H 1/00–10; A63H 1/12; A63H 1/22–26;  
A63F 9/16; A63F 5/041  
See application file for complete search history.

(56) **References Cited**

**U.S. PATENT DOCUMENTS**

D155,015 S \* 8/1949 Krapp ..... D21/460  
 D358,659 S \* 5/1995 Rohrabacher ..... D21/443  
 D464,088 S \* 10/2002 Hu ..... D21/443  
 D666,253 S \* 8/2012 Ujita ..... D21/460  
 D677,739 S \* 3/2013 Wojtaszek ..... D21/443  
 9,101,845 B2 \* 8/2015 Cai ..... A63H 1/18  
 D839,967 S \* 2/2019 Horikoshi ..... D21/460  
 D841,098 S \* 2/2019 Narita ..... D21/460  
 D883,399 S \* 5/2020 He ..... D21/460  
 D889,563 S \* 7/2020 Ozer ..... D21/460  
 D889,564 S \* 7/2020 Horikoshi ..... D21/460



(56)

**References Cited**

U.S. PATENT DOCUMENTS

D910,773 S \* 2/2021 Muraki ..... D21/460  
D912,160 S \* 3/2021 Muraki ..... D21/460

OTHER PUBLICATIONS

King Helios.Zn 1B Unboxing & Review, available on YouTube.com, date posted Mar. 31, 2020, [site visited Nov. 15, 2021], available URL: <https://www.youtube.com/watch?v=RV24Elxo1L8> (Year: 2020).\*

King Helios Zone 1B Booster (B-160) Unboxing, available on YouTube.com, date posted: Apr. 2, 2020, [site visited Nov. 15, 2021], available URL: <https://www.youtube.com/watch?v=XV2rSR0yKso> (Year: 2020).\*

\* cited by examiner

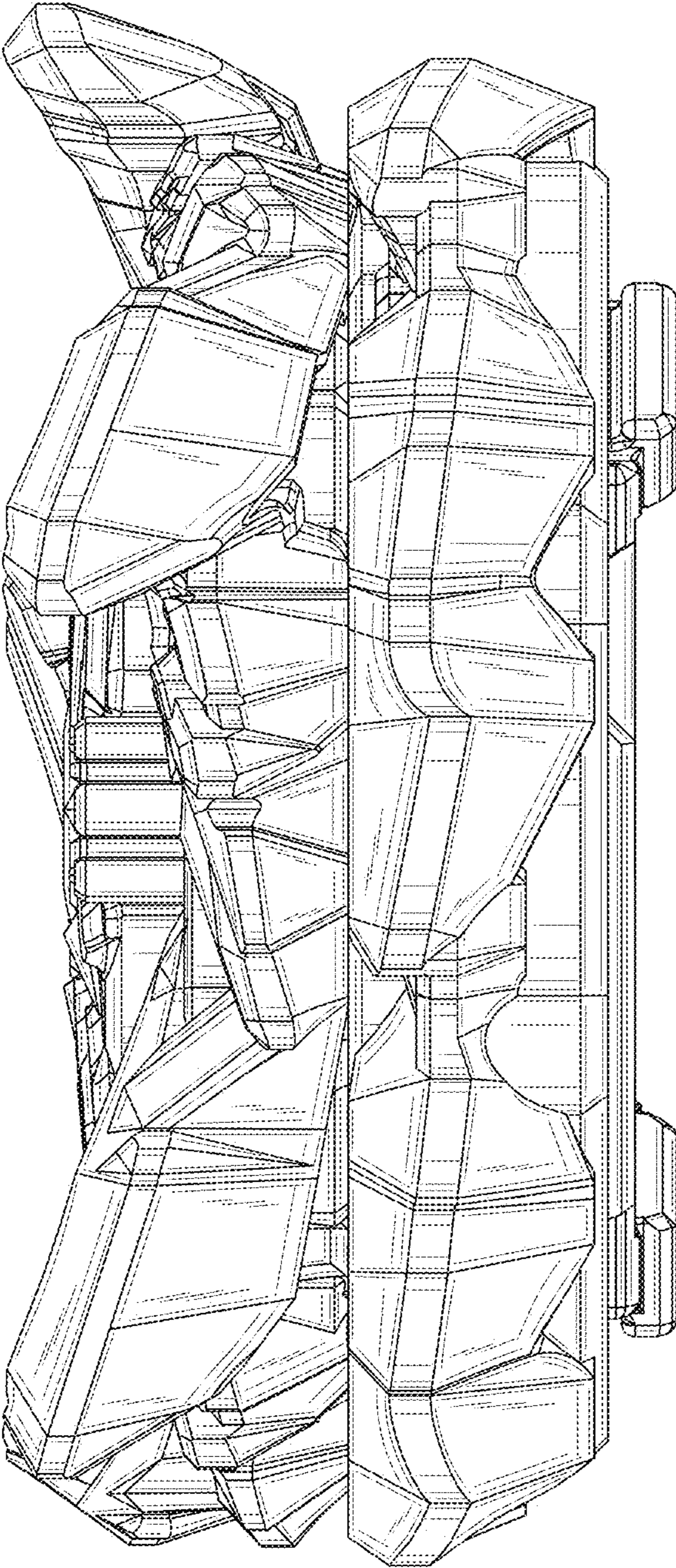


FIG. 1

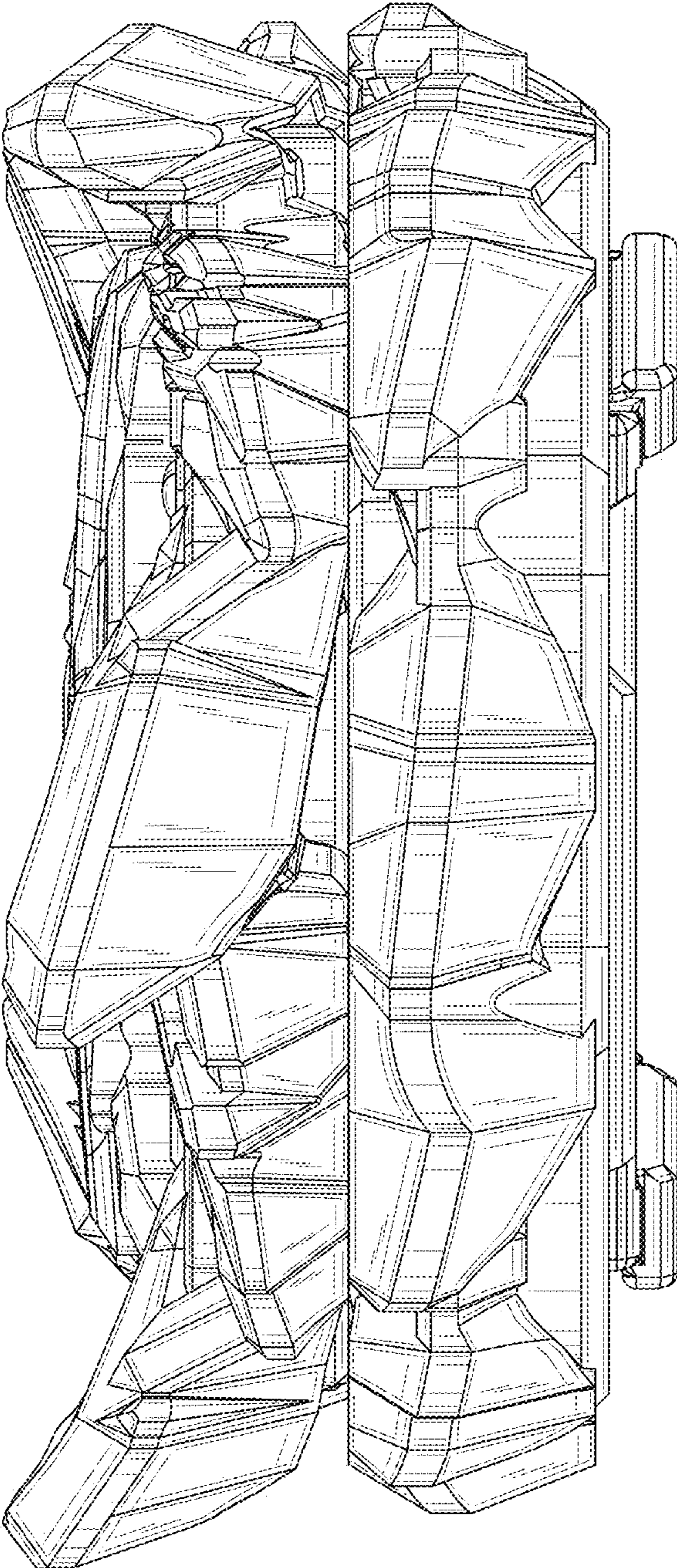


FIG. 2

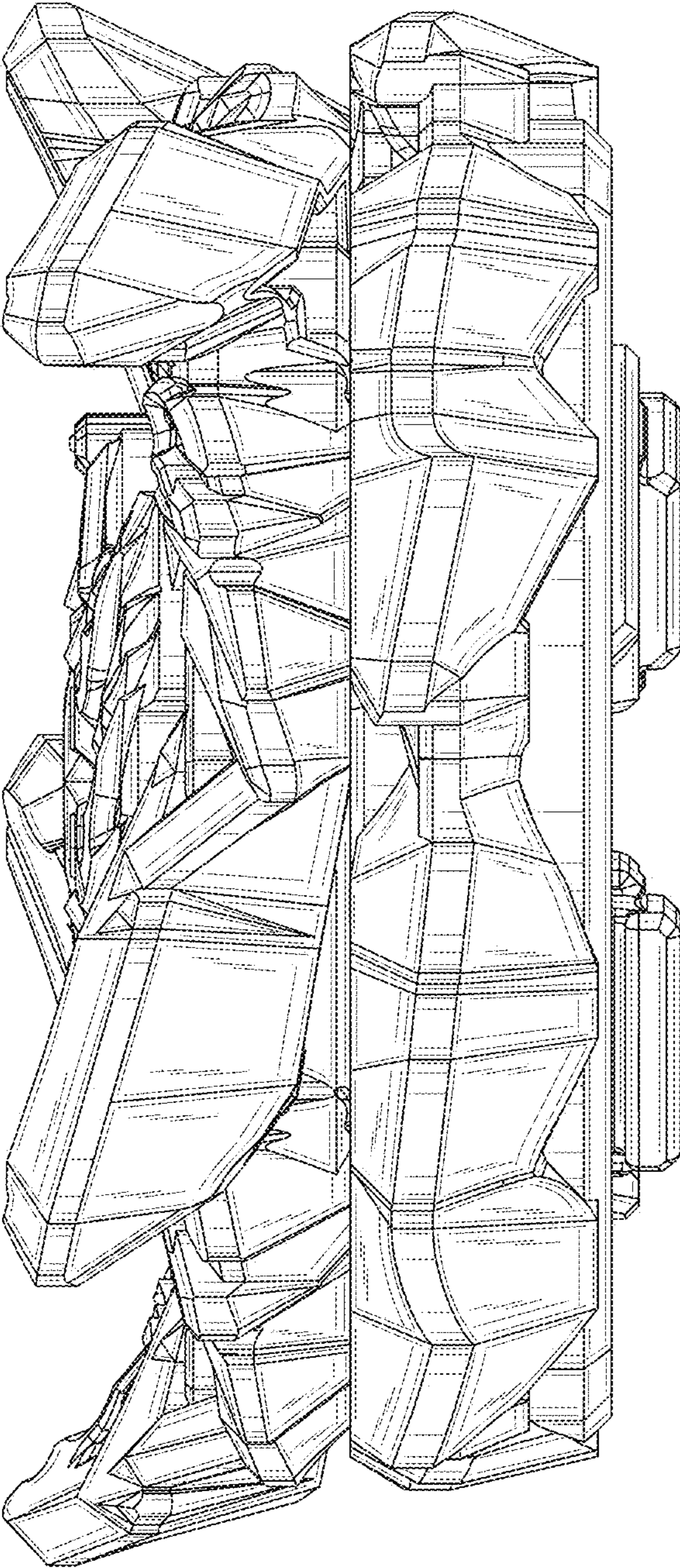


FIG. 3

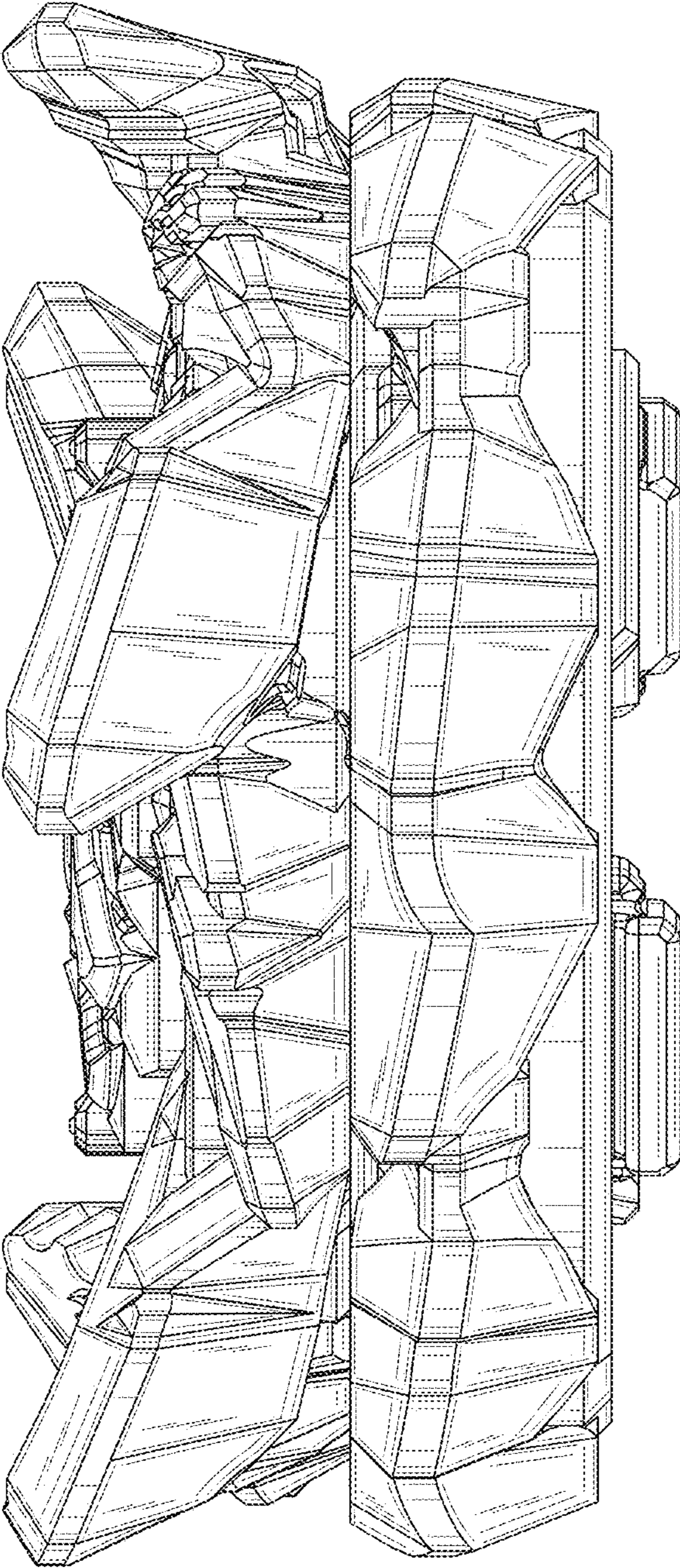


FIG. 4



FIG. 5

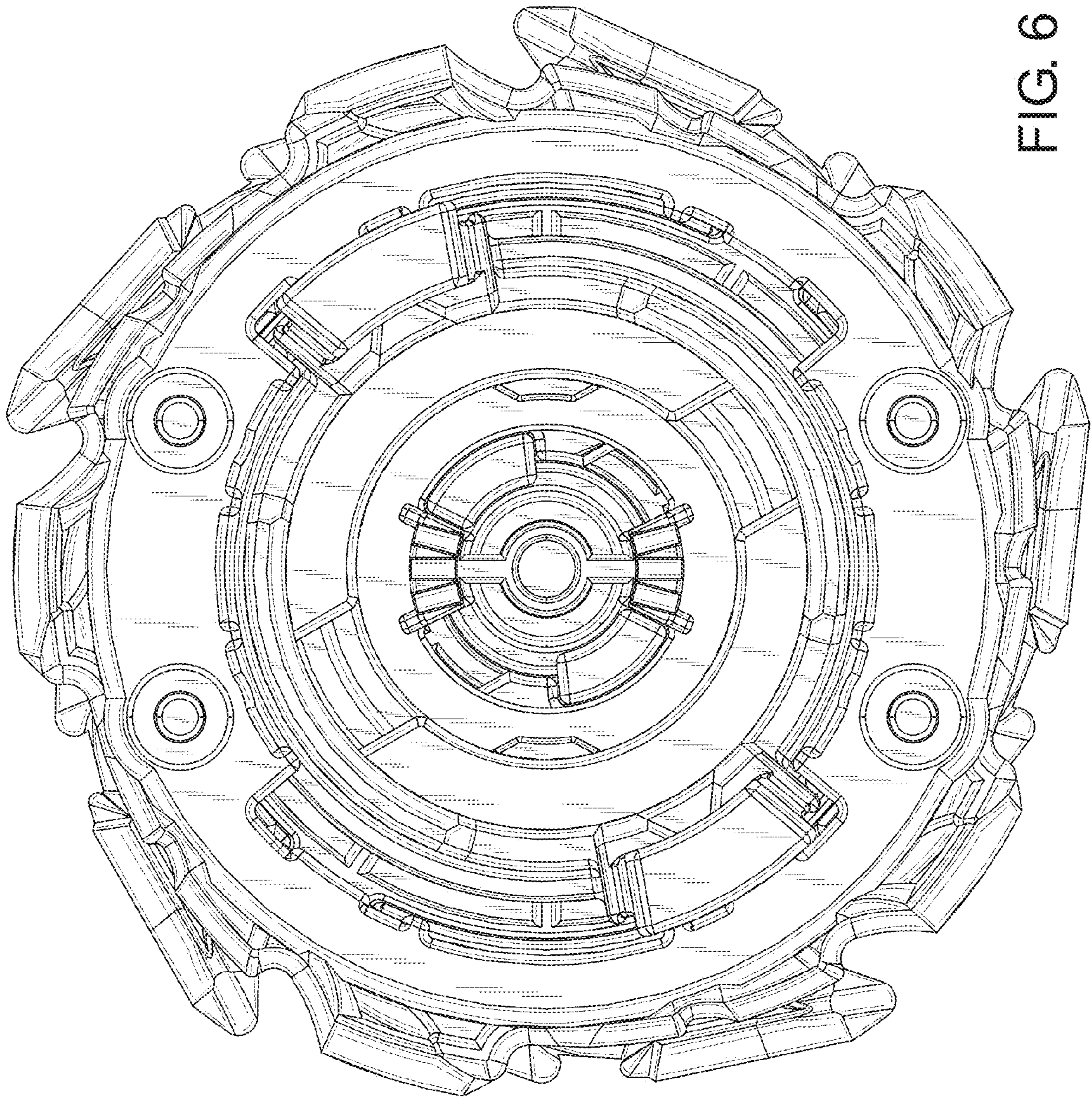


FIG. 6



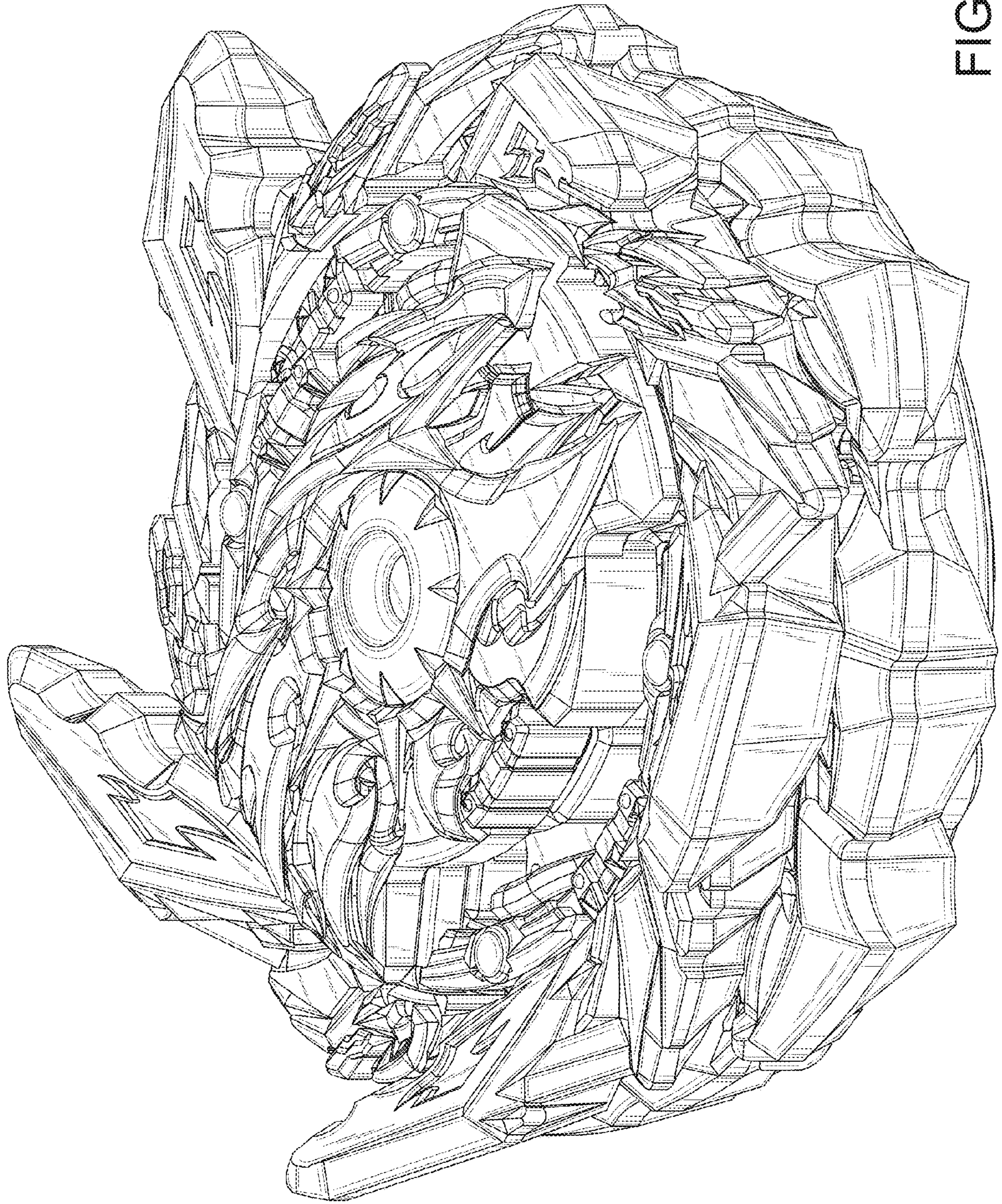


FIG. 7

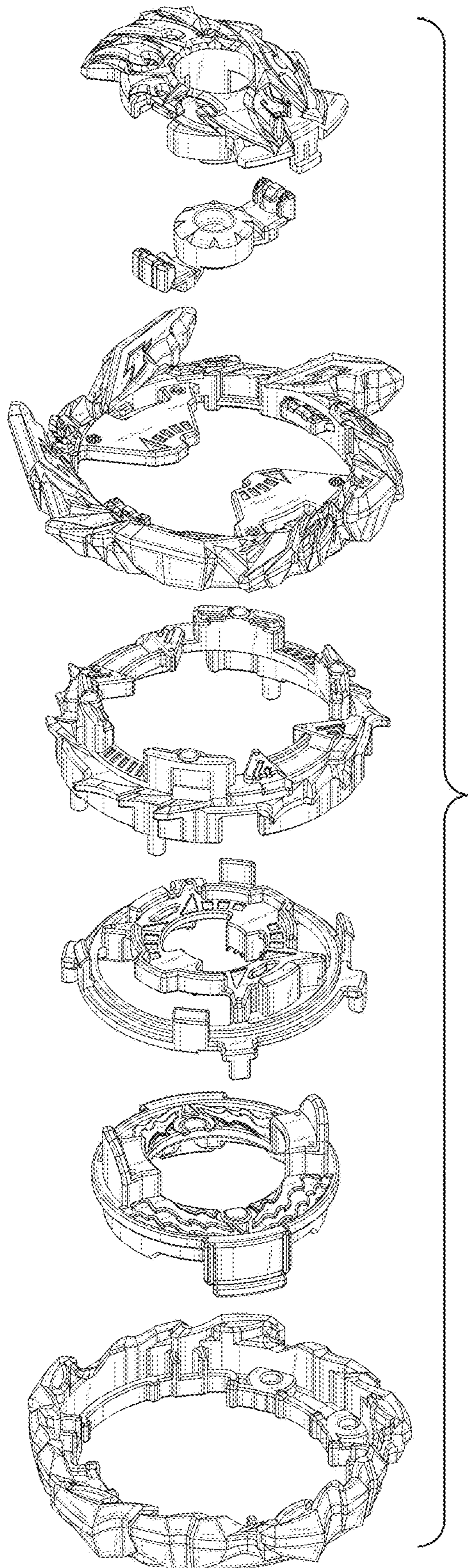


FIG. 8

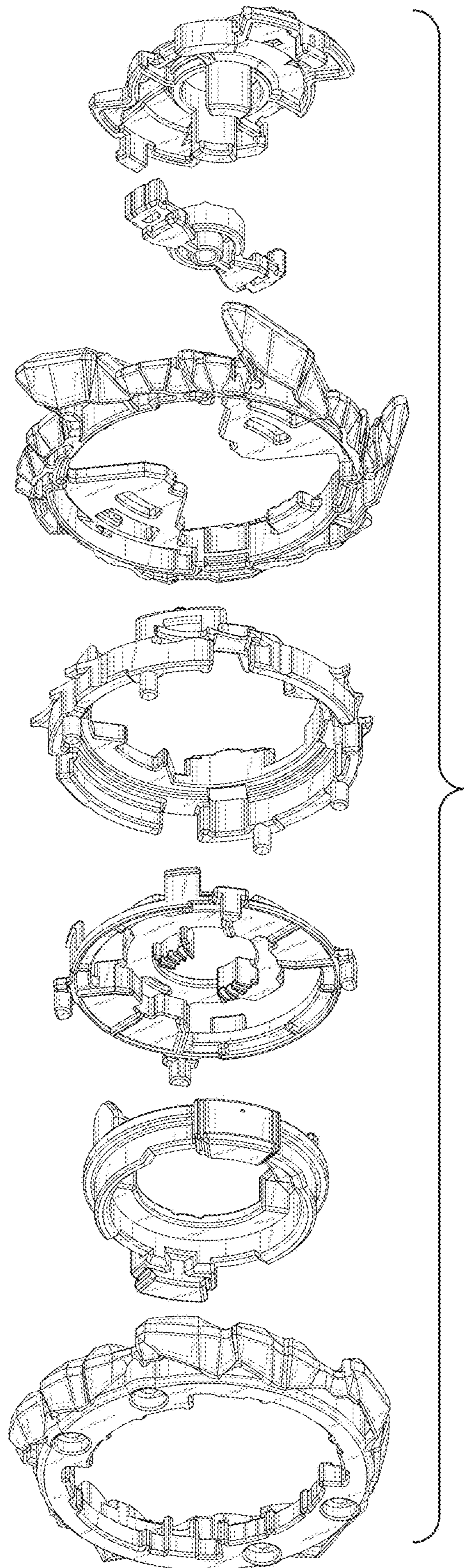


FIG. 9