



US00D958900S

(12) **United States Design Patent**
Liu

(10) **Patent No.:** **US D958,900 S**
(45) **Date of Patent:** **** Jul. 26, 2022**

(54) **SCOOTER**

(71) Applicant: **Jiangmen Xinlitong Technology, Ltd.,**
Guangdong (CN)

(72) Inventor: **Antang Liu,** Guangdong (CN)

(73) Assignee: **Jiangmen Xinlitong Technology, Ltd.,**
Jiangmen (CN)

(**) Term: **15 Years**

(21) Appl. No.: **29/732,275**

(22) Filed: **Apr. 23, 2020**

(30) **Foreign Application Priority Data**

Jan. 18, 2020 (CN) 202030036196.6

(51) **LOC (13) Cl.** **21-01**

(52) **U.S. Cl.**
USPC **D21/423**

(58) **Field of Classification Search**
USPC D21/419, 421, 423, 432, 435, 760, 763,
D21/771; D12/1, 110

CPC B62K 3/002; B62K 9/00; B62K 2202/00;
B62K 15/00; B62K 2015/001; B62K
2015/003; B60Y 2200/126

See application file for complete search history.

(56) **References Cited**

U.S. PATENT DOCUMENTS

D897,446 S * 9/2020 Lee D21/423
D900,237 S * 10/2020 Lee D21/423

D912,159 S * 3/2021 Lee D21/423
D912,736 S * 3/2021 Lee D21/423
D917,625 S * 4/2021 Lee D21/423
D923,714 S * 6/2021 Shen D21/423
D923,715 S * 6/2021 Wang D21/423
D927,604 S * 8/2021 Han D21/423
2020/0283086 A1 * 9/2020 Ulmen B62K 3/002

* cited by examiner

Primary Examiner — Cynthia M. Chin

(74) *Attorney, Agent, or Firm* — Minder Law Group;
Willy H. Wong

(57) **CLAIM**

The ornamental design for a scooter, as shown and described.

DESCRIPTION

FIG. 1 is a perspective view of a scooter showing our new design.

FIG. 2 is a front view of the scooter showing our new design.

FIG. 3 is a back view of the scooter showing our new design.

FIG. 4 is a left view of the scooter showing our new design.

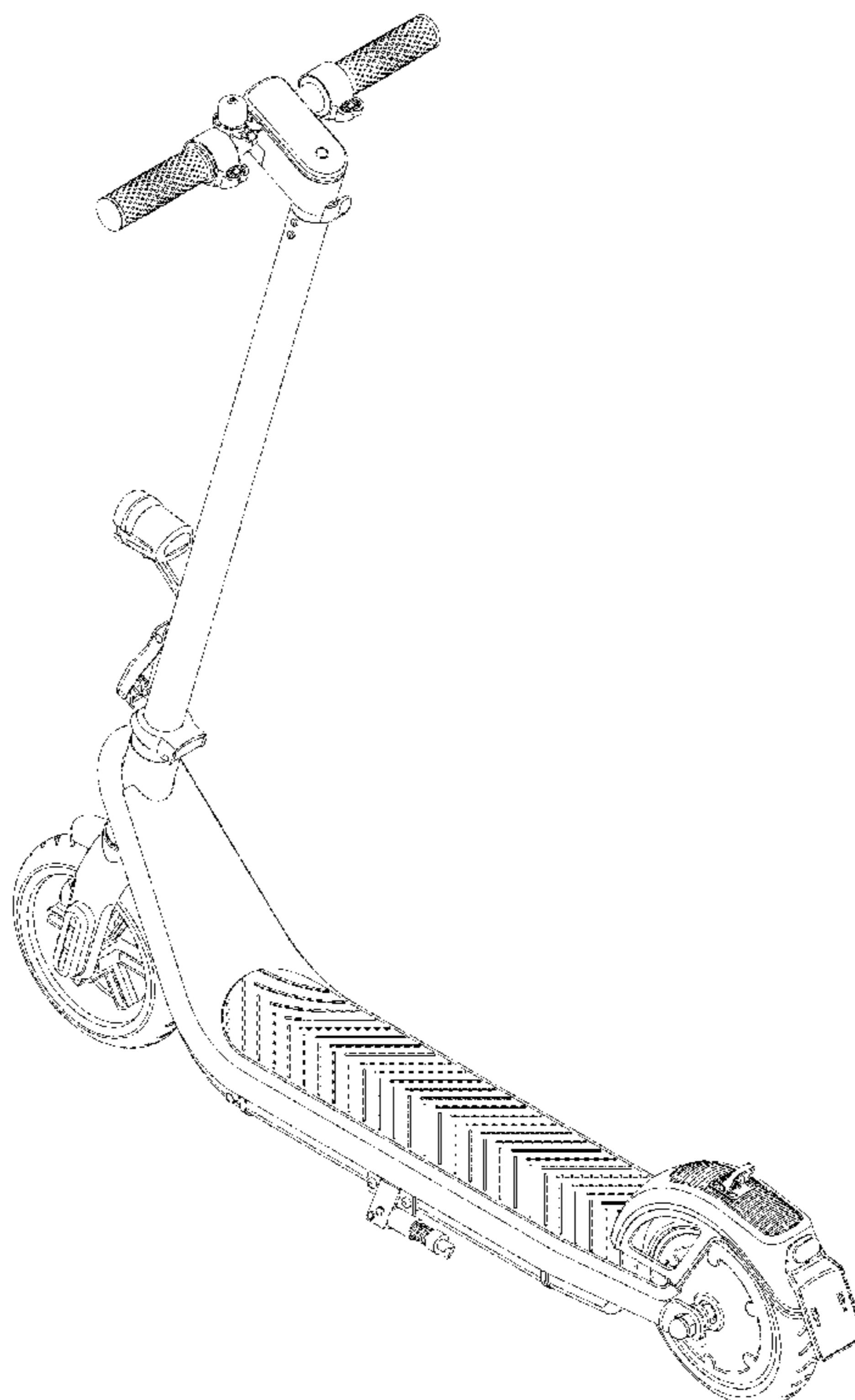
FIG. 5 is a right view of the scooter showing our new design.

FIG. 6 is a top view of the scooter showing our new design; and,

FIG. 7 is a bottom view of the scooter showing our new design.

The broken lines in the drawings depict portions of the scooter that form no part of the claimed design.

1 Claim, 7 Drawing Sheets



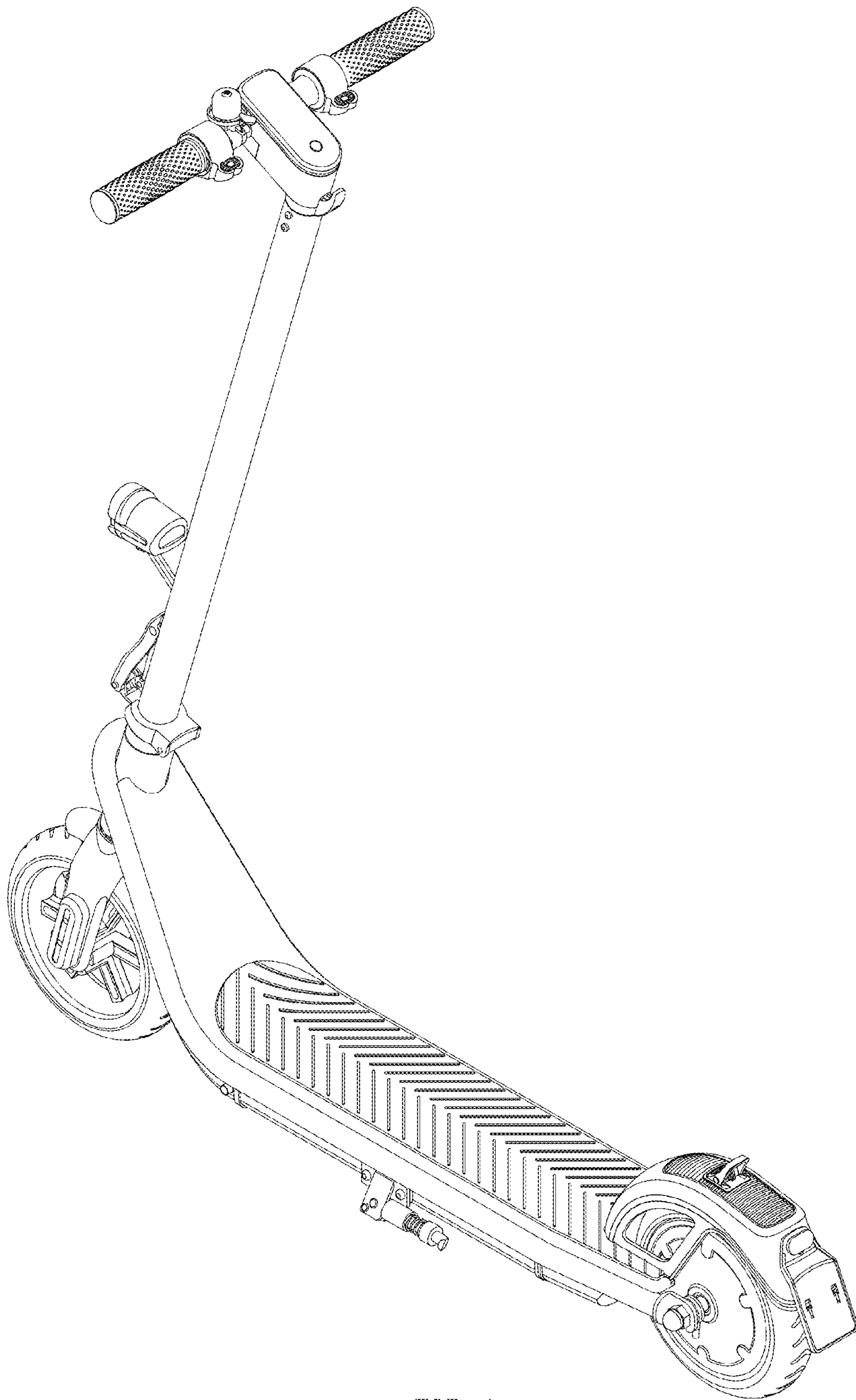


FIG. 1

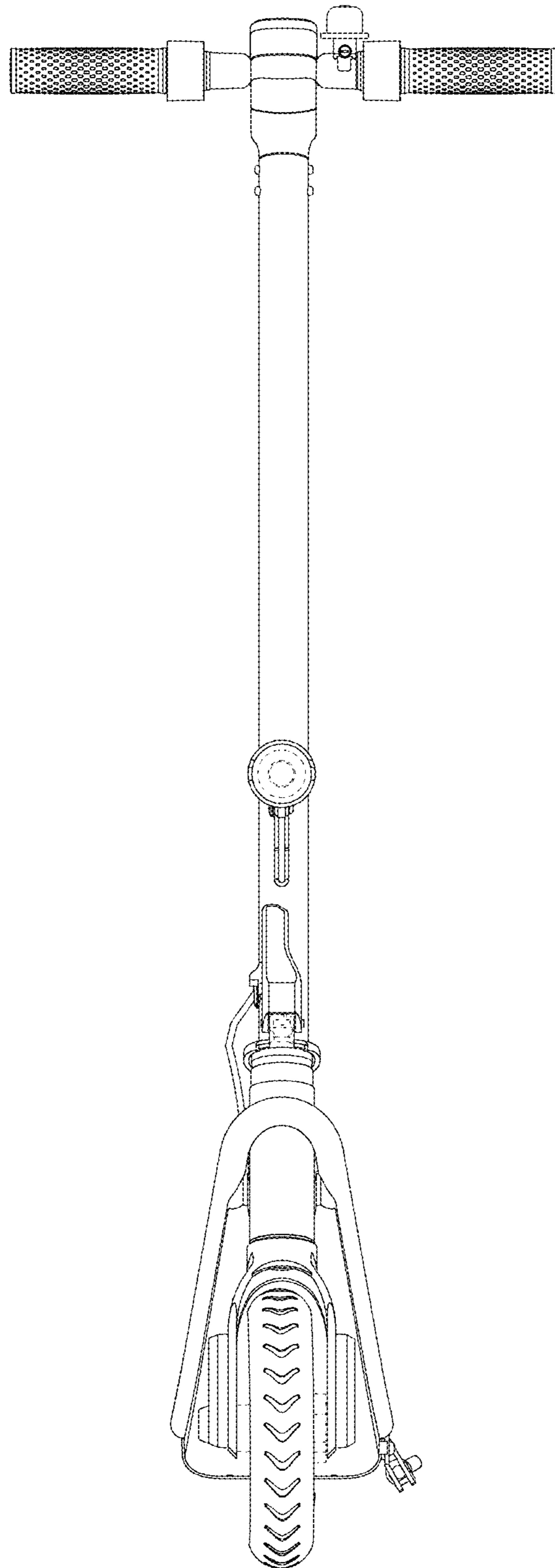


FIG. 2

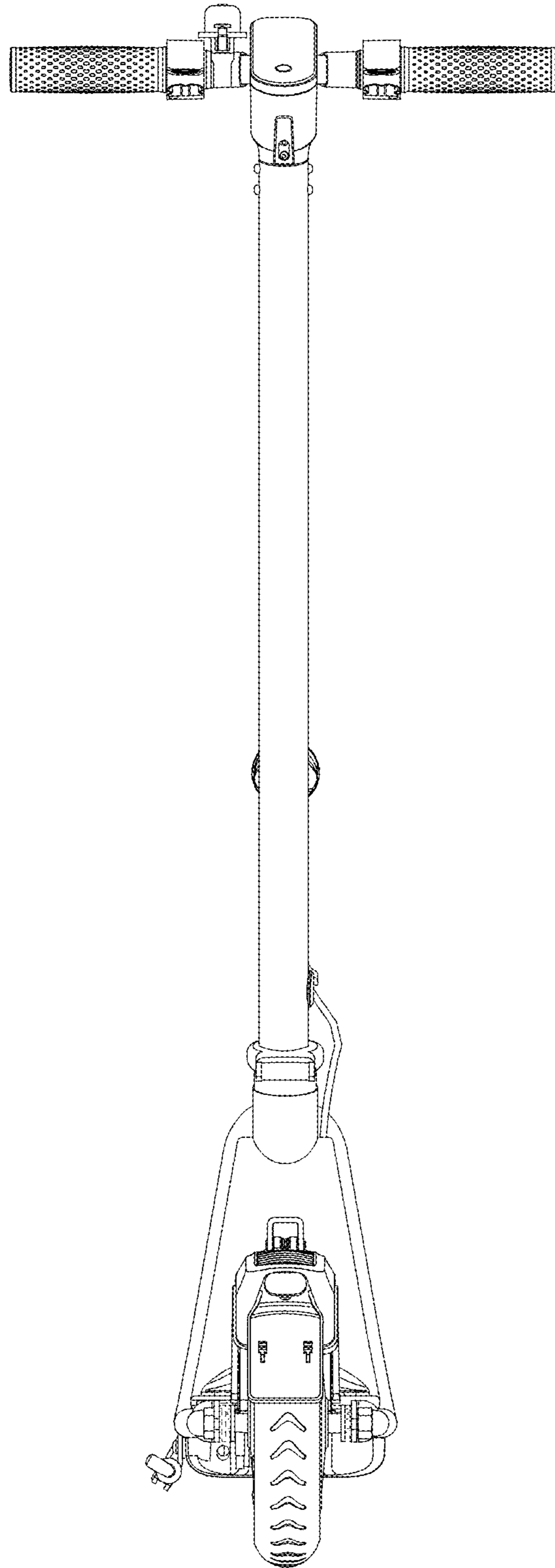


FIG. 3

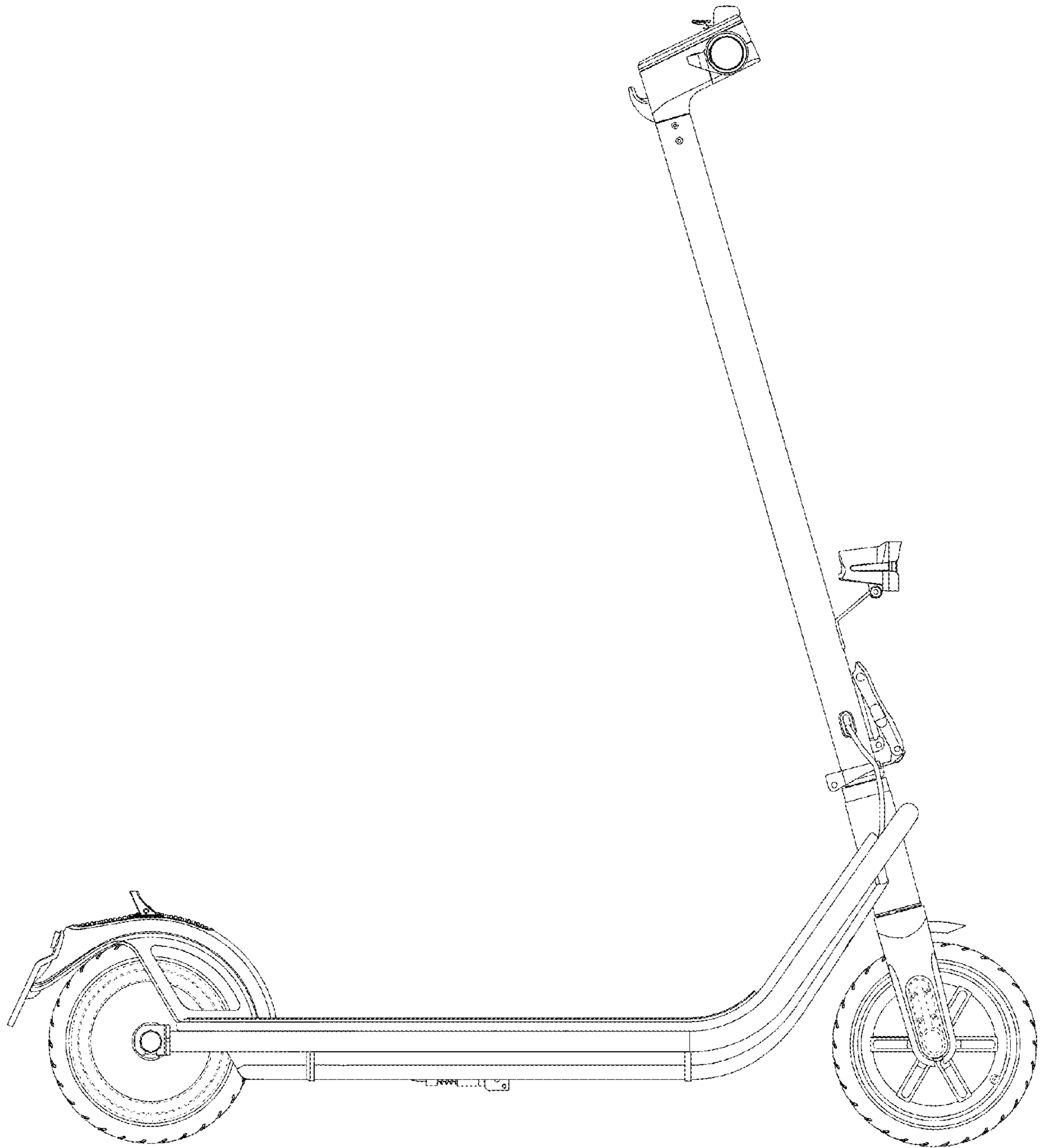


FIG. 4

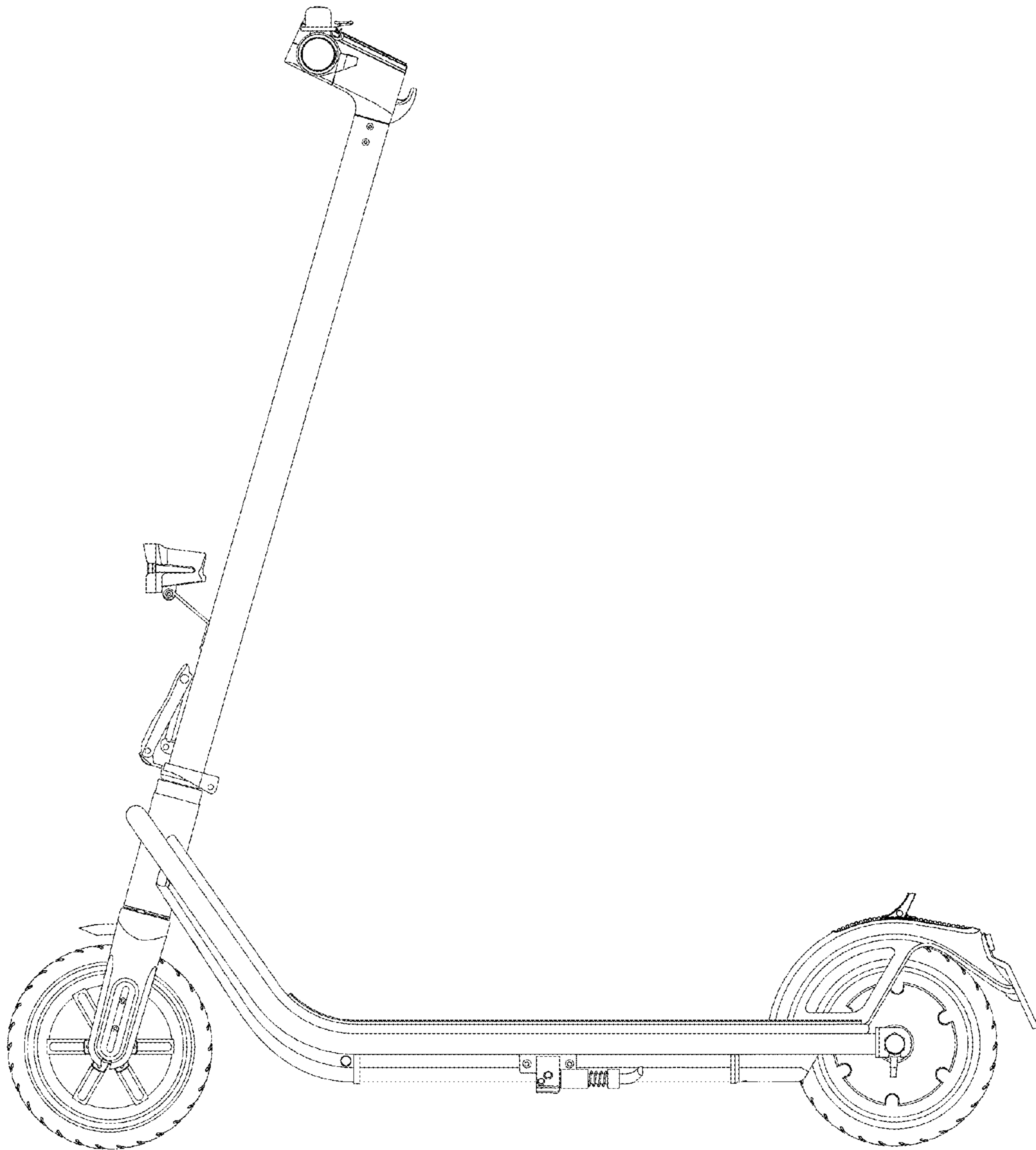


FIG. 5

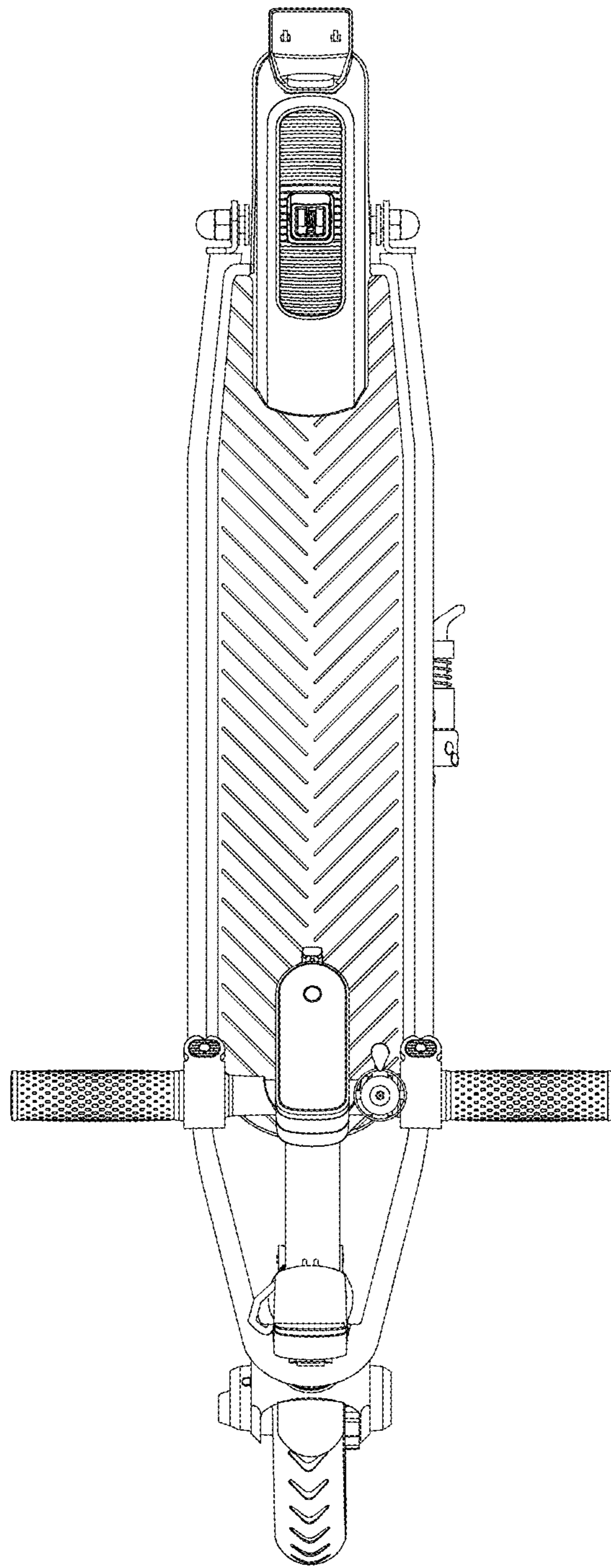


FIG. 6

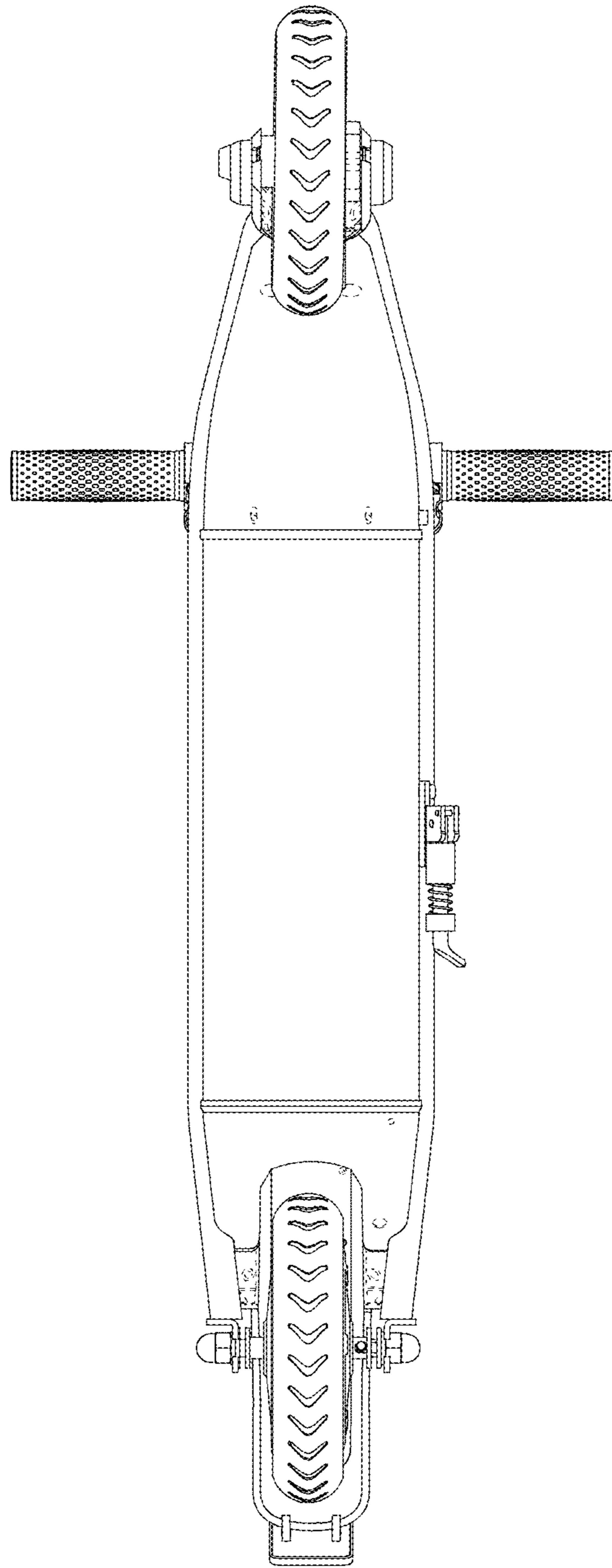


FIG. 7