



US00D958897S

(12) **United States Design Patent** (10) **Patent No.:** **US D958,897 S**  
**McMillan et al.** (45) **Date of Patent:** **\*\* Jul. 26, 2022**

(54) **MODULAR TOY BAR**

(71) Applicant: **KIDS2, INC.**, Atlanta, GA (US)  
(72) Inventors: **John McMillan**, Lilburn, GA (US);  
**Frank M. Tyneski**, Roswell, GA (US);  
**Bradford Rogers**, Decatur, GA (US);  
**Franco Lodato**, Sandy Springs, GA  
(US); **Fazio Youn**, Newbury Park, CA  
(US)

(73) Assignee: **KIDS2, INC.**, Atlanta, GA (US)

(\*\*) Term: **15 Years**

(21) Appl. No.: **29/750,962**

(22) Filed: **Sep. 17, 2020**

(51) **LOC (13) Cl.** ..... **21-01**

(52) **U.S. Cl.**  
USPC ..... **D21/398**

(58) **Field of Classification Search**

USPC ..... D21/398, 475, 476, 467, 412; D11/141;  
D6/344, 718.26, 390, 391, 715, 715.1

CPC .... A63H 33/006; A47D 13/107; A47D 15/00;  
A47D 15/006; A47D 15/008

See application file for complete search history.

(56) **References Cited**

**U.S. PATENT DOCUMENTS**

731,932 A \* 6/1903 Moch ..... A44C 1/00  
428/6  
885,317 A \* 4/1908 Bodmer ..... A46B 11/0041  
401/88  
D162,522 S \* 3/1951 Currence et al. .... D19/146  
D168,531 S \* 1/1953 Brudny ..... D19/178  
2,788,056 A 4/1957 Parker  
3,047,333 A 7/1962 Stanimir

(Continued)

**FOREIGN PATENT DOCUMENTS**

CN 1939790 A 4/2007  
CN 1939790 B 8/2010

(Continued)

**OTHER PUBLICATIONS**

Ingenuity ConvertMe Portable Swing—Raylan. Date First Available: Nov. 15, 2019. Retrieved from internet: <https://www.amazon.co.uk/Ingenuity-ConvertMe-Swing-2-Seat-Raylan-12189/dp/B07R1YNSRB> [site visited Feb. 28, 2022] (Year: 2019).\*

(Continued)

*Primary Examiner* — Jonathan J Han

*Assistant Examiner* — Yuan Yuan

(74) *Attorney, Agent, or Firm* — Gardner Groff & Greenwald, PC

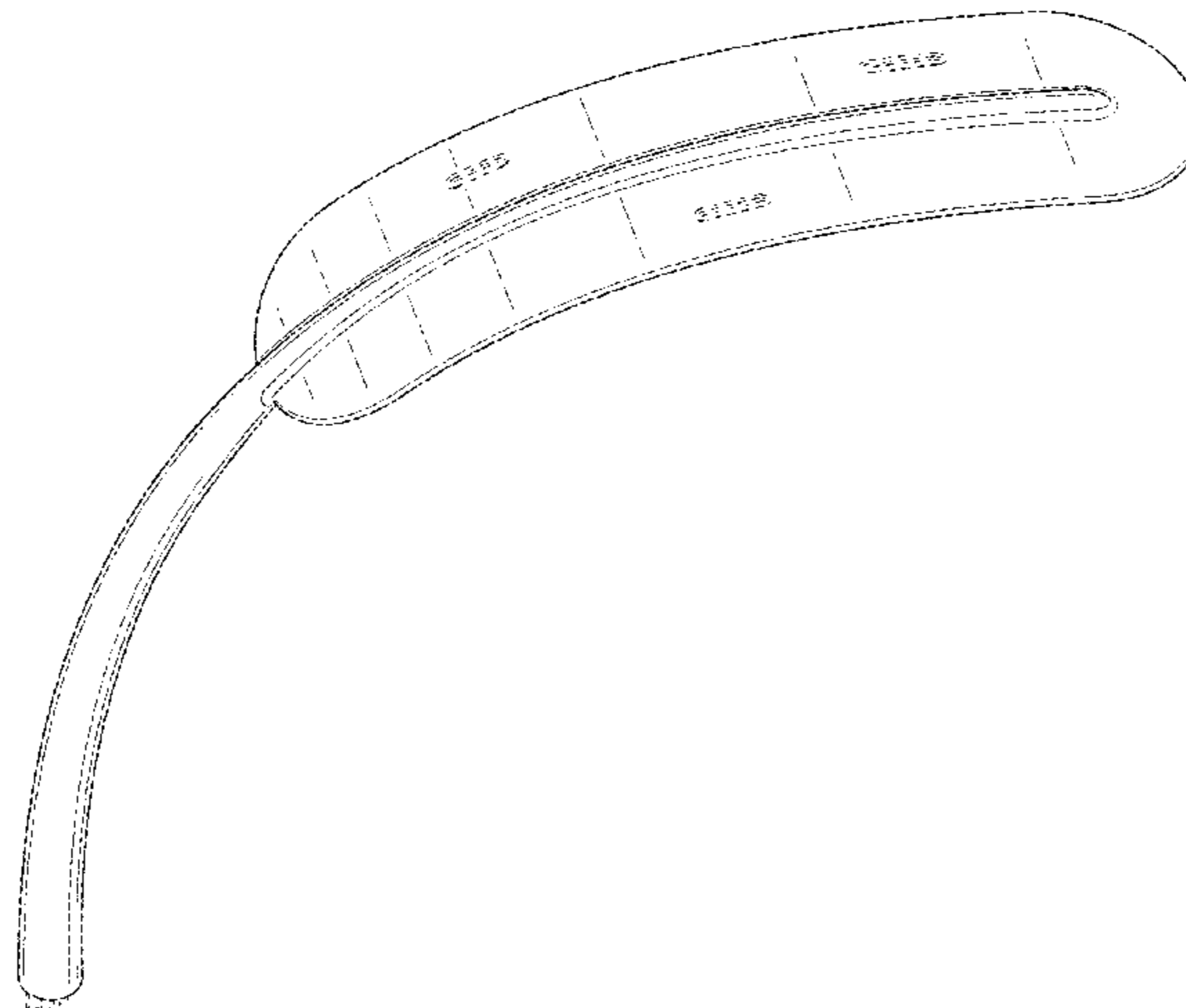
(57) **CLAIM**

The ornamental design for a modular toy bar, as shown and described.

**DESCRIPTION**

FIG. 1 is a perspective view of a first embodiment of a modular toy bar showing our new design;  
FIG. 2 is a right side view thereof;  
FIG. 3 is a left side view thereof;  
FIG. 4 is a front view thereof;  
FIG. 5 is a back view thereof;  
FIG. 6 is a top view thereof;  
FIG. 7 is a bottom view thereof;  
FIG. 8 is a perspective view of a second embodiment of a modular toy bar showing our new design;  
FIG. 9 is a right side view of FIG. 8;  
FIG. 10 is a left side view thereof;  
FIG. 11 is a front view thereof;  
FIG. 12 is a back view thereof;  
FIG. 13 is a top view thereof; and,  
FIG. 14 is a bottom view thereof.  
The broken lines in the drawings depict portions of the modular toy bar that form no part of the claimed design.

**1 Claim, 8 Drawing Sheets**



(56)

References Cited

U.S. PATENT DOCUMENTS

3,269,771 A	8/1966	Erdos	8,029,053 B2	10/2011	Troutman et al.
3,326,570 A	6/1967	Burnham, et al.	8,029,377 B2	10/2011	Velderman et al.
3,331,631 A	7/1967	Pierson, Jr.	8,038,207 B2	10/2011	Flannery
3,427,071 A	2/1969	Pierson, Jr.	8,079,639 B2	12/2011	Zeng et al.
D274,072 S *	5/1984	Emms ..... D21/467	8,142,297 B2	3/2012	Zhang
D295,198 S *	4/1988	Williams ..... D6/390	8,146,989 B2	4/2012	Godiska et al.
D297,685 S	9/1988	Wilson	8,162,390 B2	4/2012	Zhong
4,904,220 A *	2/1990	Williams ..... A63H 33/006	D660,053 S	5/2012	Sclare et al.
		446/236	8,177,297 B2	5/2012	Powell et al.
5,082,385 A *	1/1992	Stewart ..... B43K 7/005	8,201,879 B2	6/2012	Hartenstine et al.
		401/88	8,205,943 B2	6/2012	Zhong
D374,692 S *	10/1996	Stroud ..... A63H 33/006	8,210,610 B2	7/2012	Berkey et al.
		D21/476	8,235,465 B2	8/2012	Hei et al.
D386,788 S *	11/1997	Shui-Shang ..... A63H 33/006	8,256,833 B2	9/2012	Hu et al.
		D19/916	8,256,841 B2	9/2012	Hei et al.
D390,905 S	2/1998	Eldon et al.	8,276,985 B2	10/2012	Kho et al.
D396,511 S *	7/1998	Leong ..... A63H 33/006	8,287,044 B2	10/2012	Chen et al.
		D21/711	8,292,365 B2	10/2012	Lu et al.
5,803,786 A *	9/1998	McCormick ..... A63H 33/006	8,297,694 B2	10/2012	Arnold, IV et al.
		446/236	8,308,230 B2	11/2012	Zhong
D440,412 S	4/2001	Huang	8,308,578 B2	11/2012	Gilbert et al.
D461,854 S *	8/2002	Myers ..... D21/467	8,316,481 B2	11/2012	Arnold, IV et al.
D467,285 S *	12/2002	Myers ..... A44C 1/00	8,321,973 B2	12/2012	Bickley
		D21/467	8,376,461 B2	2/2013	Chen
D468,544 S *	1/2003	Myers ..... A61D 1/00	8,382,390 B2	2/2013	Cheng
		D6/334	8,398,096 B2	3/2013	Gower et al.
D478,220 S	8/2003	Chang	8,408,650 B2	4/2013	Jacobs et al.
D480,884 S	10/2003	Kane et al.	8,469,832 B2	6/2013	Gillett et al.
D491,736 S	6/2004	Kane et al.	8,491,402 B2	7/2013	Yeh et al.
D502,427 S *	3/2005	Gais ..... B43K 7/005	D689,703 S	9/2013	Oren et al.
		D21/467	8,522,374 B2	9/2013	Sousa et al.
7,172,486 B2 *	2/2007	Drosendahl ..... A63H 33/006	8,590,969 B2	11/2013	Erb et al.
		446/175	8,602,490 B2	12/2013	Tsai et al.
7,185,949 B2	3/2007	Finell	8,602,903 B2	12/2013	Gilbert
7,201,440 B2	4/2007	Heck et al.	8,602,904 B2	12/2013	Tuckey et al.
7,252,275 B1 *	8/2007	Puckett ..... A47G 7/045	8,677,533 B2	3/2014	Barron et al.
		248/316.1	8,684,856 B2	4/2014	Pyrce et al.
7,252,333 B2	8/2007	Caldwell	8,696,055 B2	4/2014	Stolarz et al.
7,258,617 B2	8/2007	Chen	8,708,832 B2	4/2014	Gilbert et al.
7,261,370 B1	8/2007	Whitesell, Jr. et al.	8,746,794 B2	6/2014	Oren et al.
7,318,380 B2	1/2008	Guard et al.	8,770,660 B2	7/2014	Chen et al.
7,326,120 B2	2/2008	Bellows et al.	8,784,225 B2	7/2014	Burns et al.
7,338,122 B2	3/2008	Hei et al.	8,795,097 B2	8/2014	Chapman et al.
7,419,210 B2	9/2008	Nolan et al.	8,806,673 B2	8/2014	Burkholder et al.
7,441,835 B2	10/2008	Chen et al.	8,834,282 B2	9/2014	Sclare et al.
7,475,937 B2	1/2009	McGrew et al.	8,844,549 B2	9/2014	Mohamed
7,490,558 B2	2/2009	Asbach et al.	8,845,023 B2	9/2014	Chen et al.
7,506,922 B2	3/2009	Schulte et al.	8,845,440 B2	9/2014	Haut
7,559,606 B2	7/2009	Hei et al.	8,876,617 B2	11/2014	Robbins et al.
7,563,170 B2	7/2009	Bellows et al.	8,893,325 B2	11/2014	Arnold, IV et al.
7,568,758 B2	8/2009	Troutman et al.	RE45,281 E	12/2014	Erb et al.
7,621,592 B1	11/2009	Flannery	8,920,253 B2	12/2014	Horst et al.
7,651,168 B2	1/2010	Kelly	8,943,622 B2	2/2015	Saint et al.
7,673,934 B2	3/2010	Bearup et al.	8,944,927 B2	2/2015	Huntsberger et al.
7,673,942 B2	3/2010	Tuckey et al.	8,979,197 B2	3/2015	Cheng et al.
7,695,374 B2	4/2010	Bellows et al.	8,984,682 B2	3/2015	Zhao
7,703,843 B2	4/2010	Chen et al.	8,985,687 B2	3/2015	Mo
7,770,970 B2	8/2010	Hei et al.	9,033,417 B2	5/2015	Mo
7,789,762 B2	9/2010	Greger et al.	9,033,809 B2	5/2015	Haut et al.
7,832,755 B2	11/2010	Nolan et al.	9,039,079 B2	5/2015	Huntsberger et al.
7,837,570 B2	11/2010	Kwon	D730,994 S *	6/2015	Lane ..... A63H 33/006
7,874,927 B2	1/2011	Godiska			D21/467
7,883,145 B2	2/2011	Troutman et al.	9,089,225 B2	7/2015	Fiore, III et al.
7,883,426 B2	2/2011	Bellows et al.	9,101,225 B2	8/2015	Kostyniak et al.
7,884,710 B2	2/2011	Godiska et al.	D737,584 S	9/2015	Marcuello
7,887,129 B2	2/2011	Hei et al.	9,127,709 B2	9/2015	Shan
7,896,431 B2	3/2011	Cui et al.	9,155,403 B2	10/2015	Mountz et al.
7,905,549 B2	3/2011	Lake et al.	9,167,911 B2	10/2015	Vlosich
7,909,400 B1	3/2011	Delaney et al.	D742,125 S	11/2015	Mountz et al.
7,918,497 B2	4/2011	Keegan	9,173,503 B2	11/2015	Mountz et al.
7,918,742 B2	4/2011	Clapper et al.	9,200,746 B2	12/2015	Xiao
7,922,244 B2	4/2011	Bearup	9,216,359 B2	12/2015	Gilbert
7,988,228 B2	8/2011	Cui et al.	9,242,180 B2	1/2016	Gilbert et al.
8,011,722 B2	9/2011	Cui et al.	9,339,118 B2	5/2016	Gubitosi et al.
			9,351,587 B2	5/2016	Burns et al.
			9,351,588 B2	5/2016	Burns et al.
			9,364,098 B2	6/2016	Fiore, III et al.
			9,399,416 B2	7/2016	Cheng et al.
			9,404,528 B2	8/2016	Shan



(56)

**References Cited**

FOREIGN PATENT DOCUMENTS

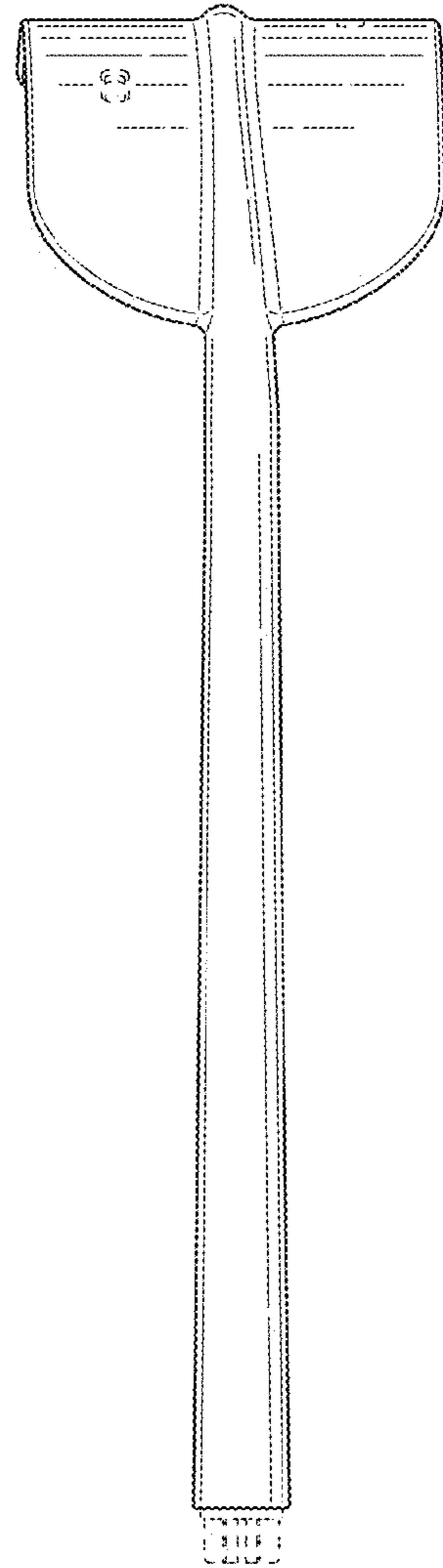
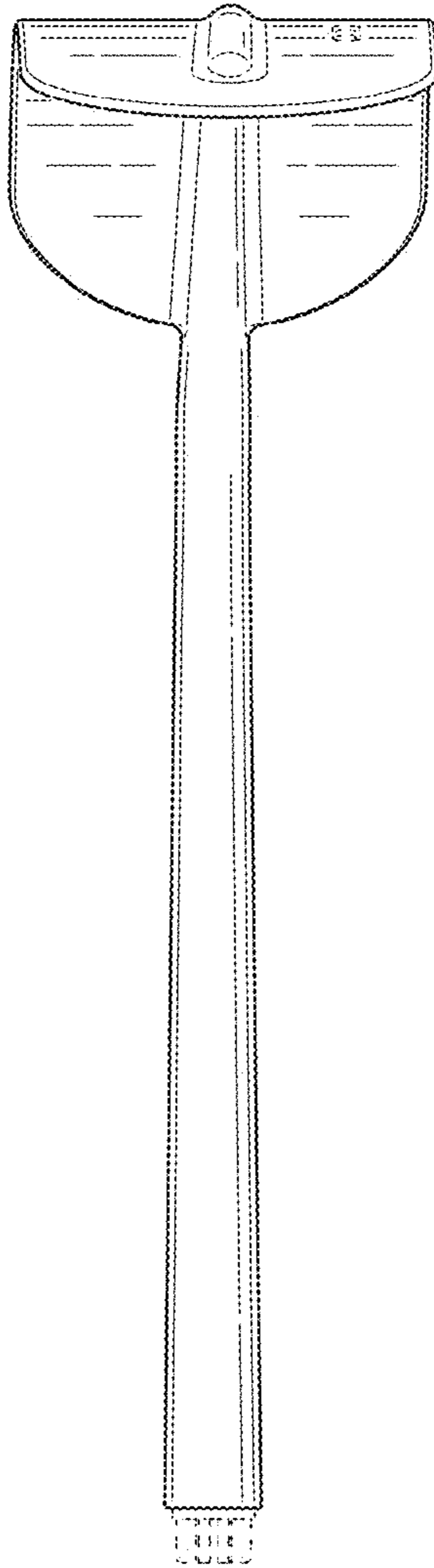
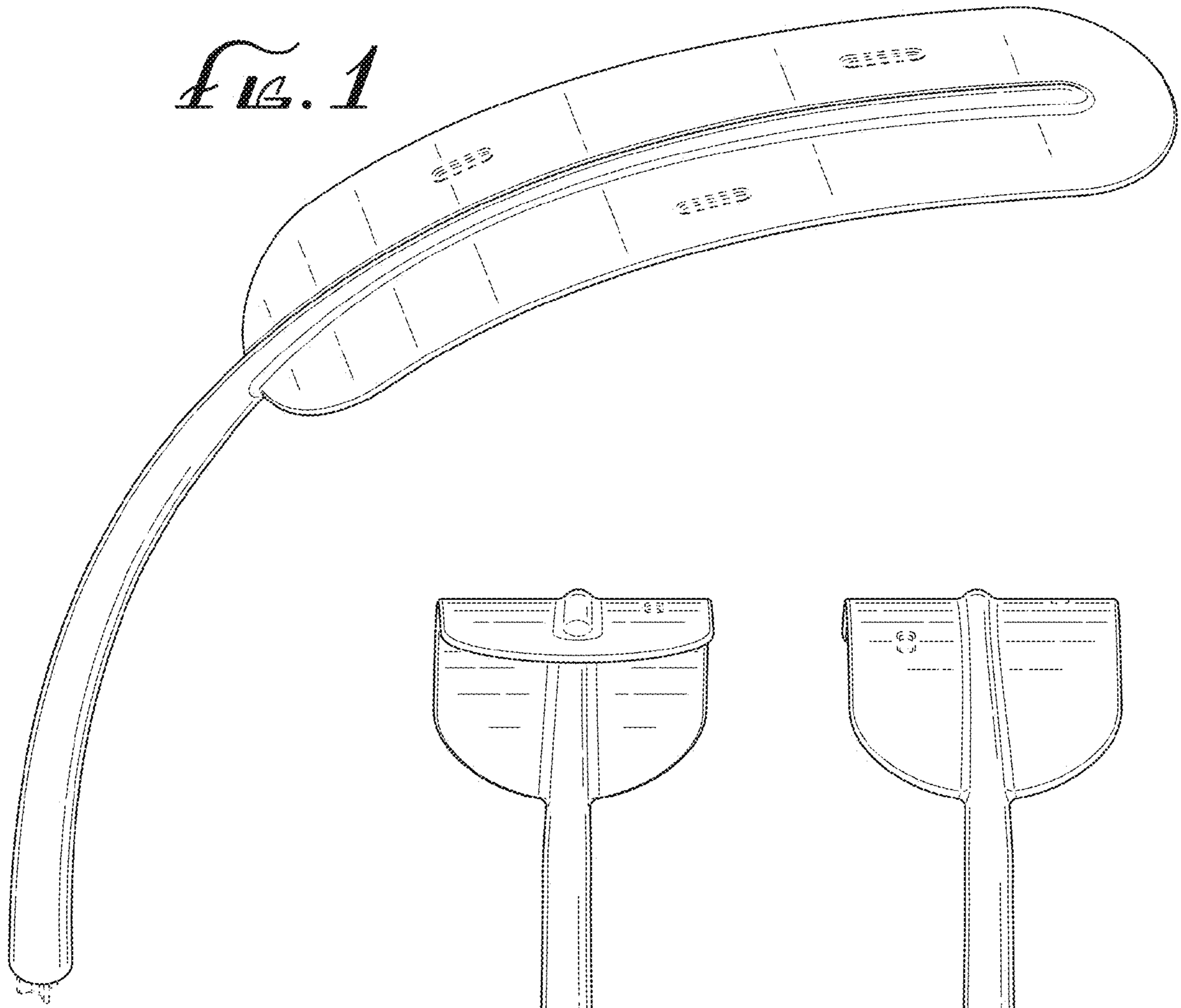
WO	2008012025	A3	4/2008
WO	2010107453	A1	9/2010
WO	2019073268	A1	4/2019

OTHER PUBLICATIONS

Ingenuity Keep Cozy 3-in-1 Grow with Me Bounce & Rock Seat—Weaver. Date First Available: Dec. 2, 2020. Retrieved from internet: <<https://www.amazon.co.uk/Ingenuity-Keep-Cozy-Grow-Bounce/dp/B08PDPK1JS>> [site visited Feb. 28, 2022] (Year: 2020).\* Chicco, Stack-3-In-1-Highchair, webpage, <<https://www.chiccousa.com/stack-3-in-1-highchair/Stack-3-In-1-Highchair.html>>. Song, Peng, Reconfigurable Interlocking Furniture (SIGGRAPH Asia 2017), Youtube video, <<https://www.youtube.com/watch?v=fCGOsLpz7P8>>, Aug. 26, 2017.

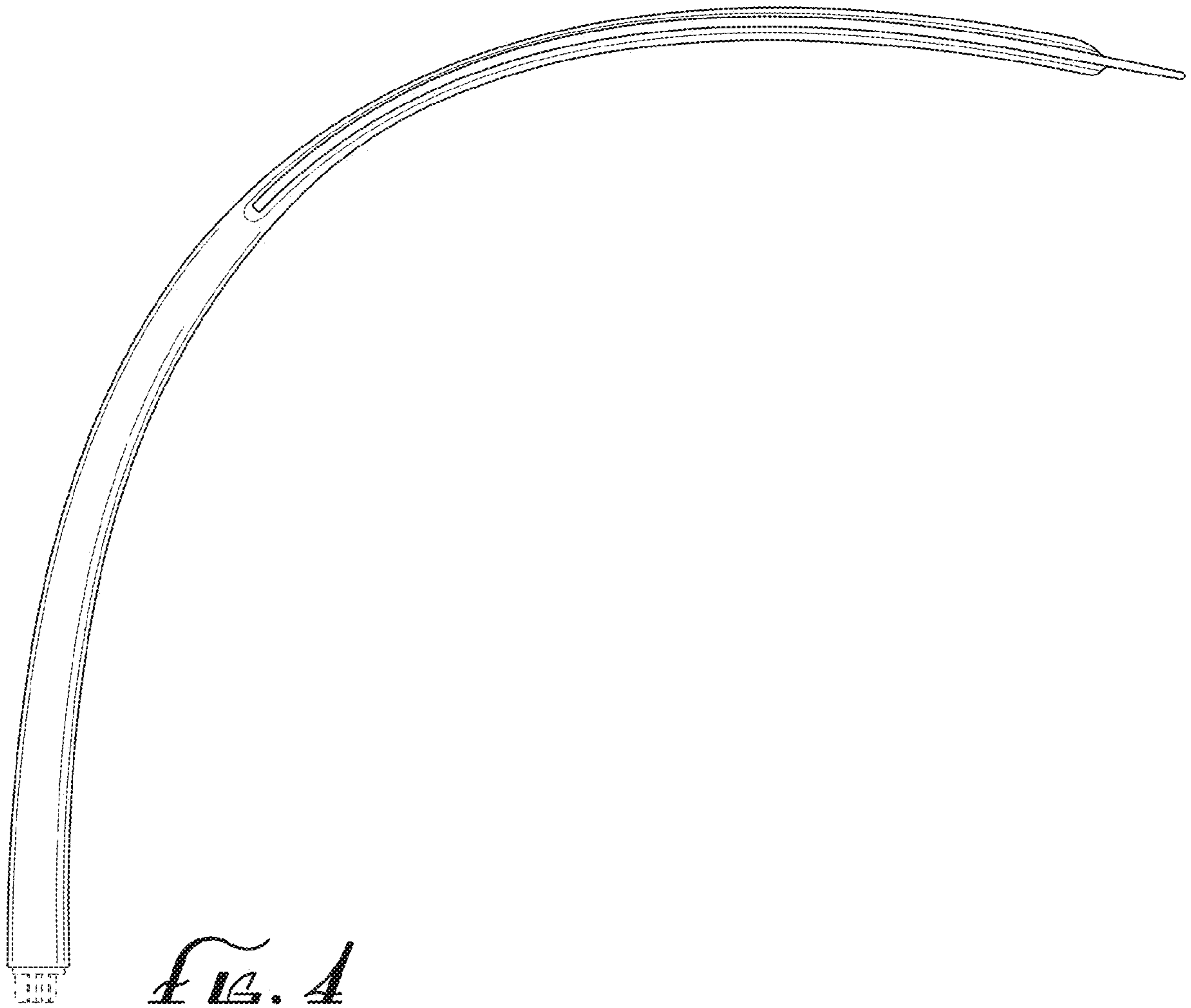
\* cited by examiner

*FIG. 1*

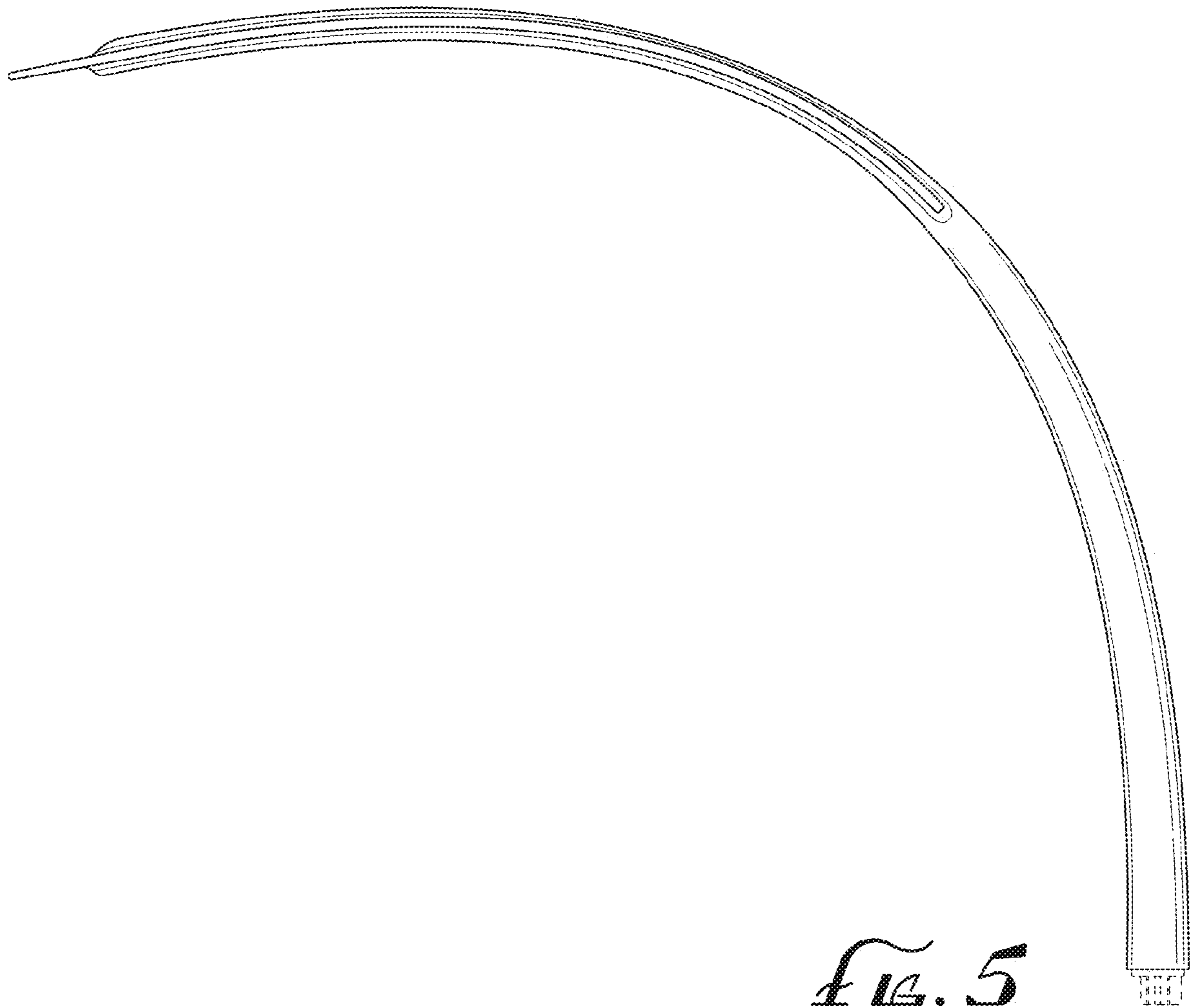


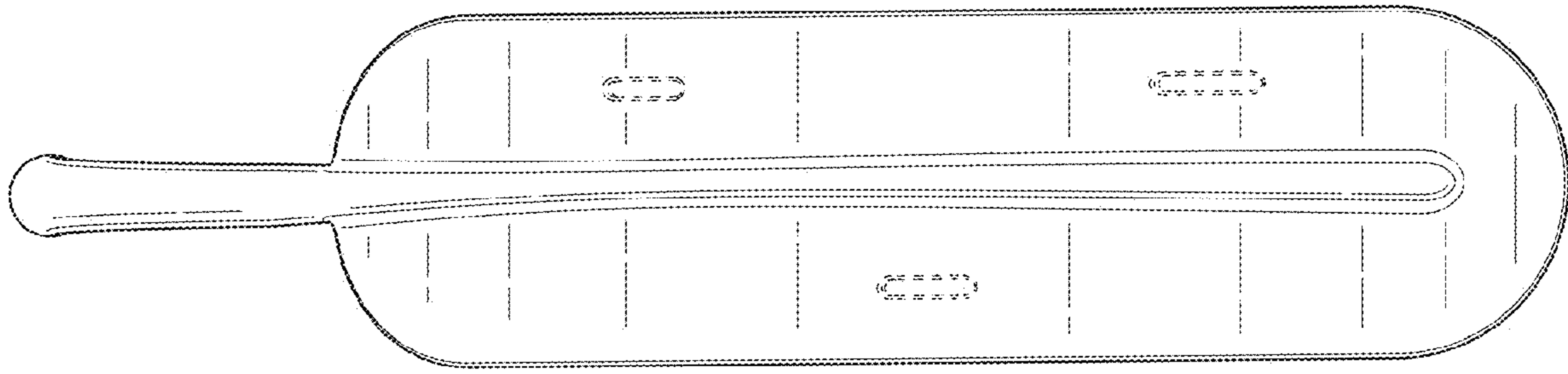
*FIG. 2*

*FIG. 3*

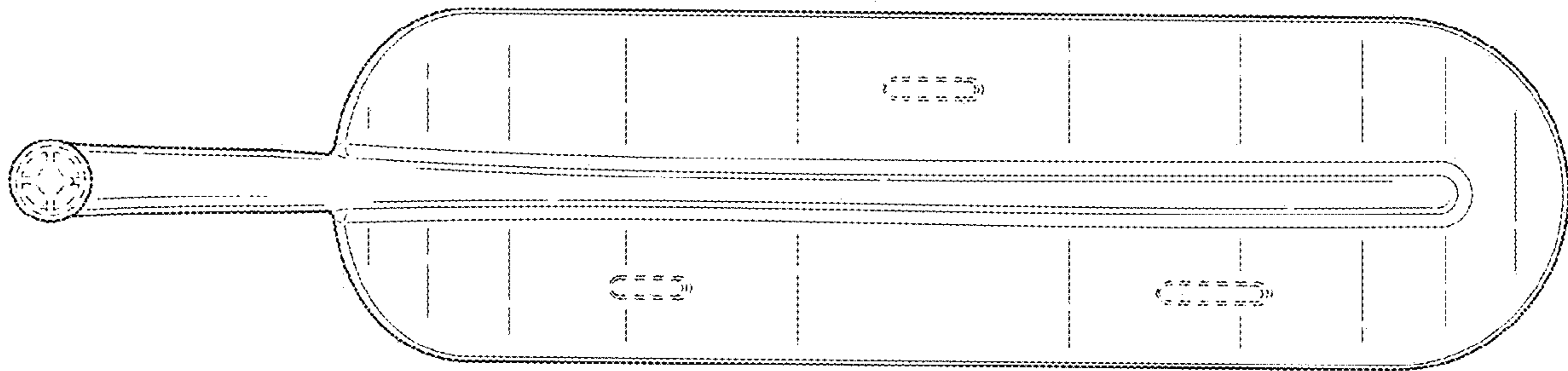


*FIG. 4*





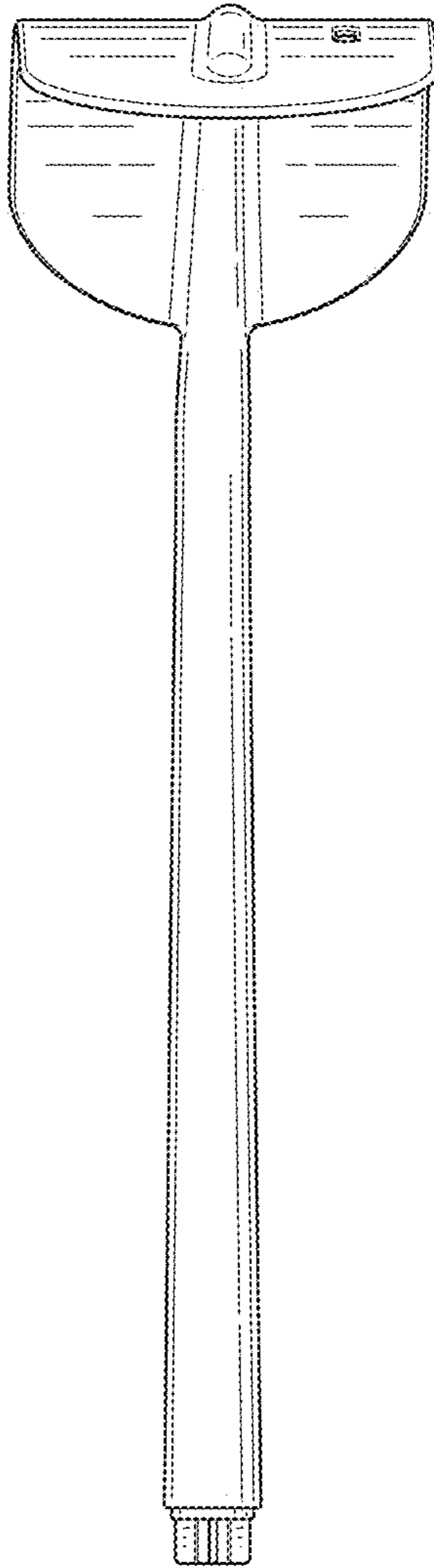
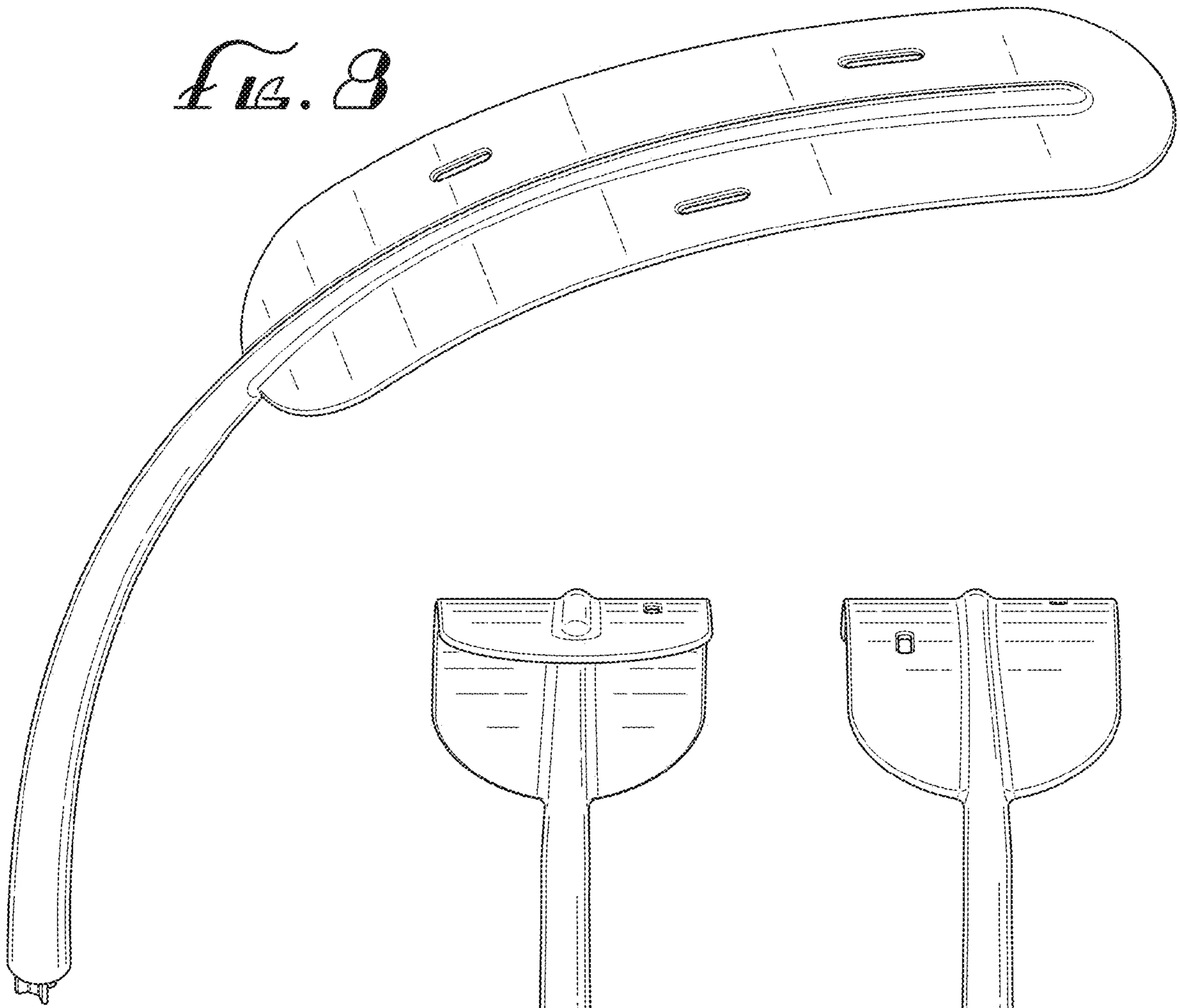
*FIG. 6*



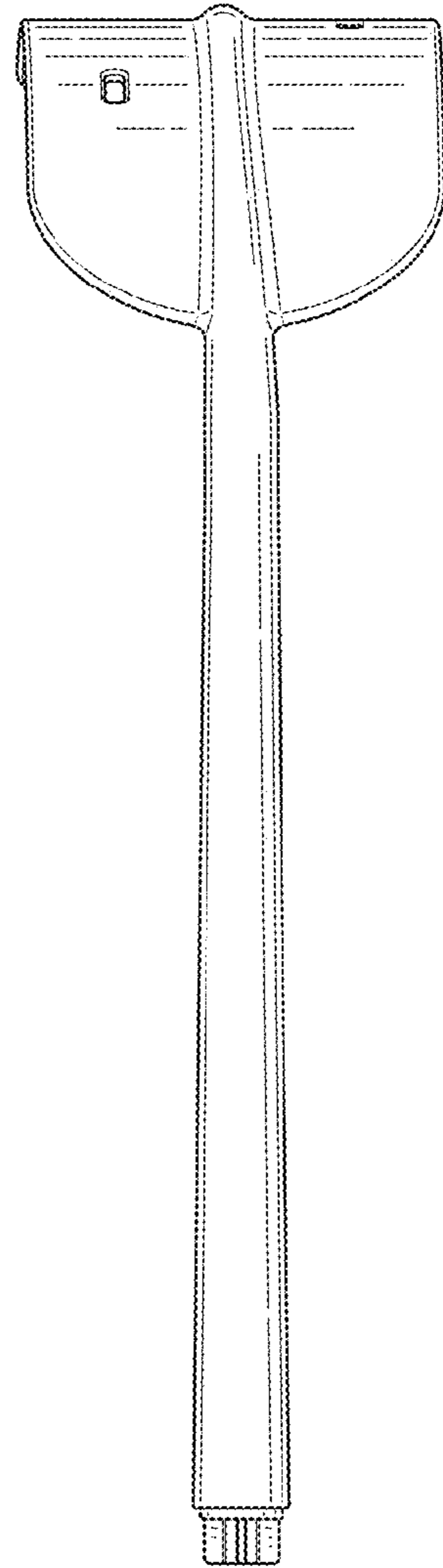
*FIG. 7*



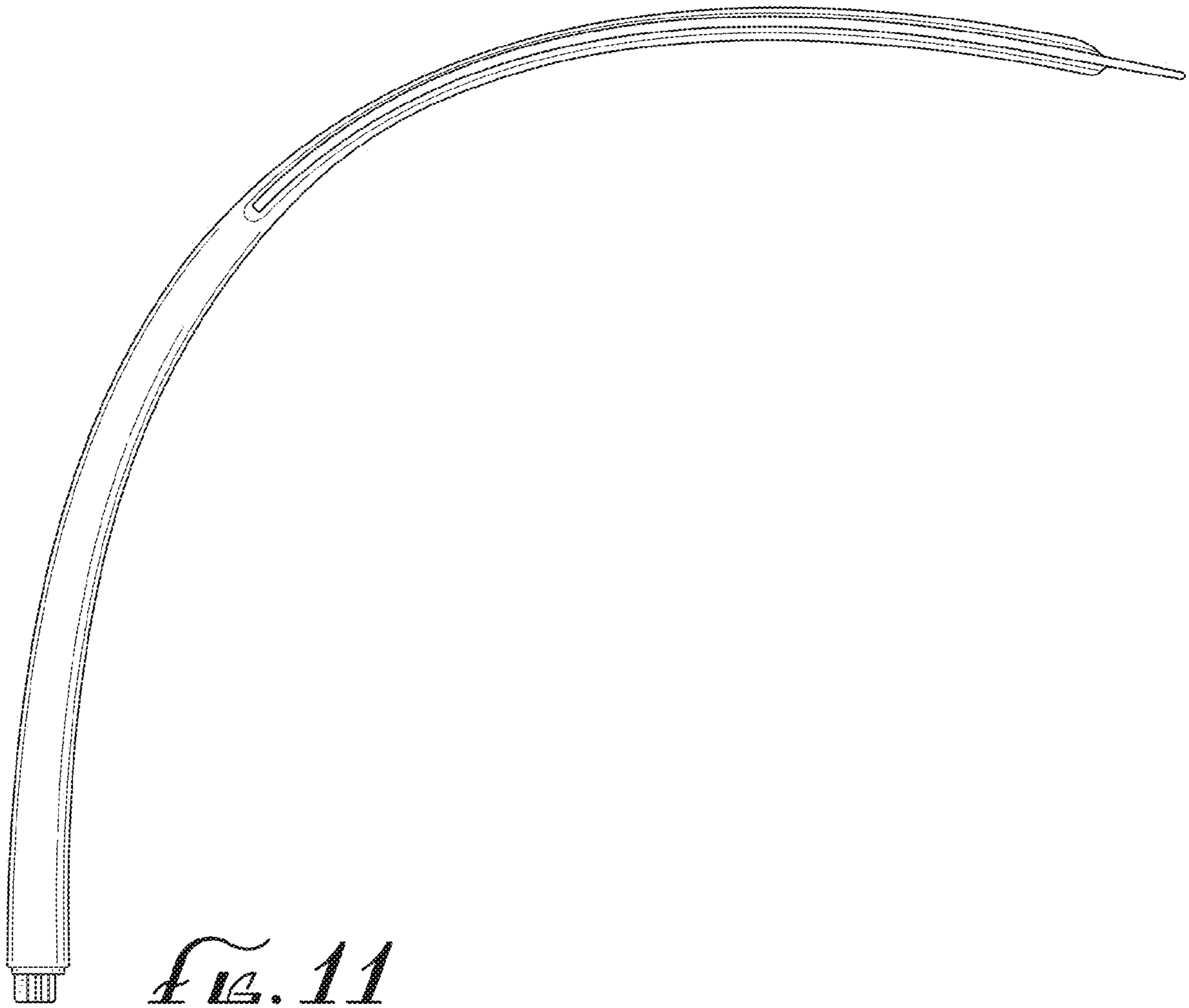
*FIG. 8*

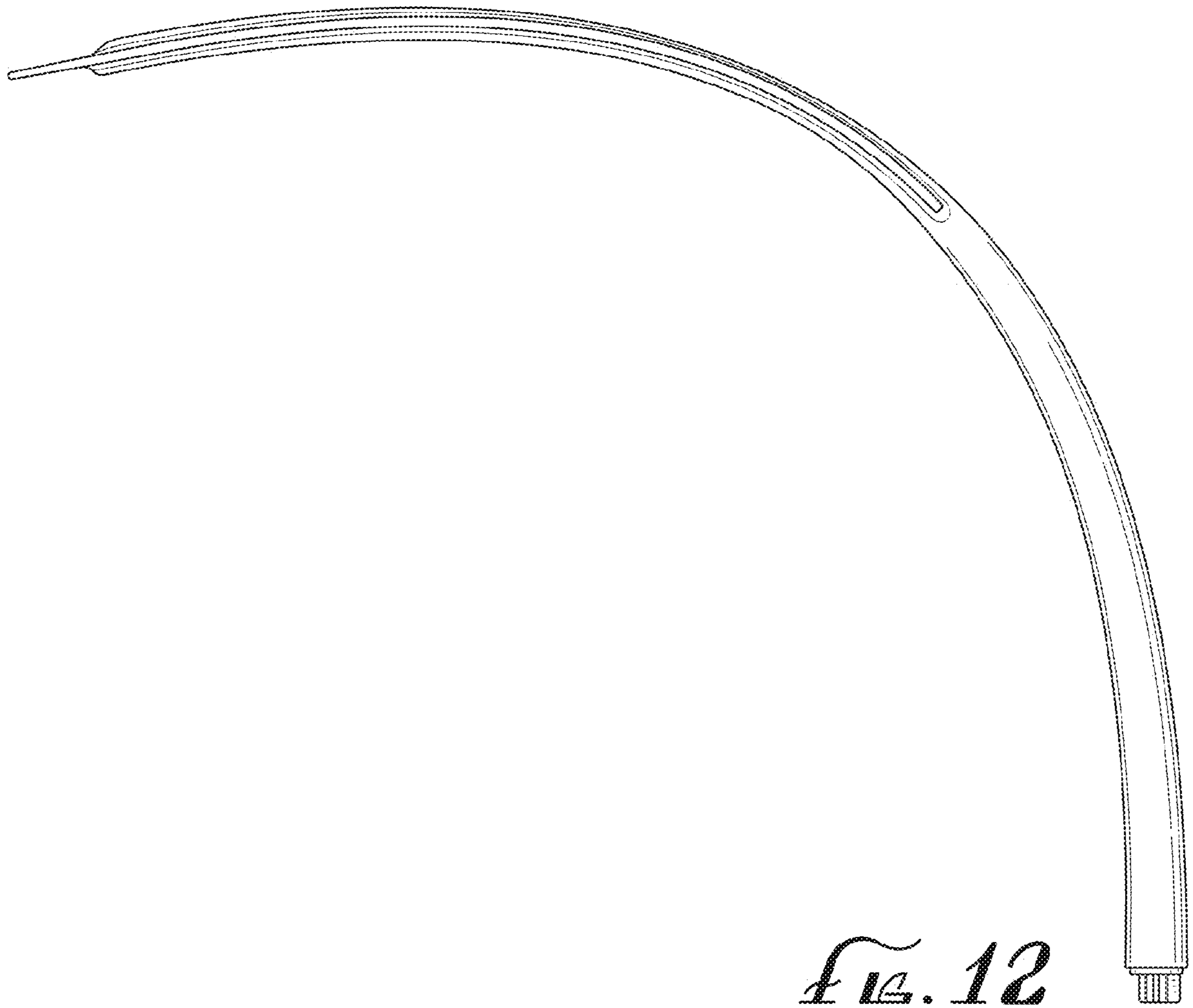


*FIG. 9*

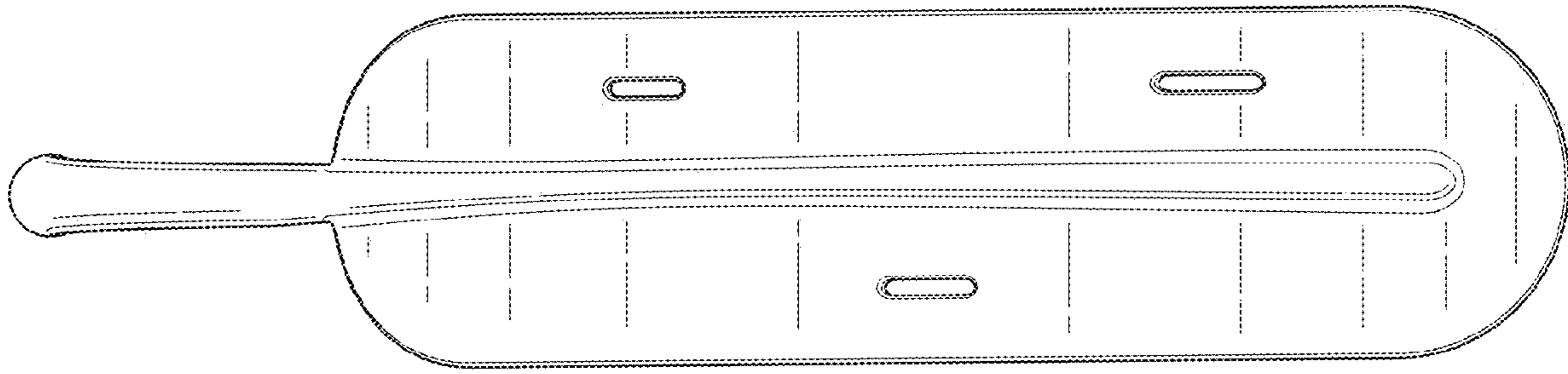


*FIG. 10*

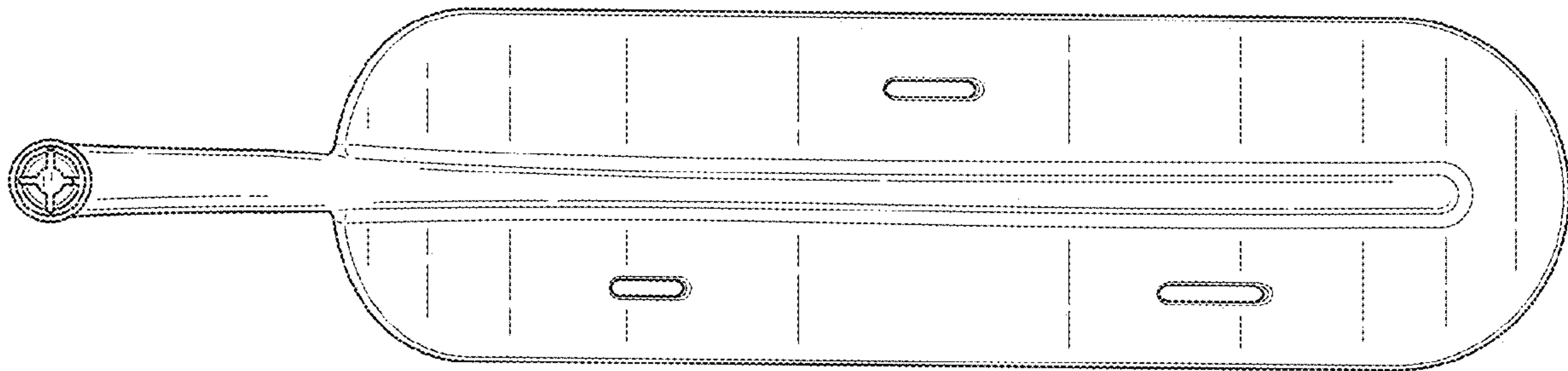




*FIG. 12*



*FIG. 13*



*FIG. 14*