



US00D958895S

(12) **United States Design Patent**  
**Schultheis**

(10) **Patent No.:** **US D958,895 S**  
(45) **Date of Patent:** **\*\* Jul. 26, 2022**

(54) **PLAYING SURFACE ASSEMBLY FOR SPINNING TOP TOY**

(71) Applicant: **TOMY COMPANY, LTD.**, Tokyo (JP)

(72) Inventor: **Douglas Arthur Schultheis**,  
Cumberland, RI (US)

(73) Assignee: **TOMY COMPANY, LTD.**, Tokyo (JP)

(\*\*) Term: **15 Years**

(21) Appl. No.: **29/753,273**

(22) Filed: **Sep. 30, 2020**

(51) **LOC (13) Cl.** ..... **21-01**

(52) **U.S. Cl.**  
USPC ..... **D21/338**

(58) **Field of Classification Search**  
USPC ..... D21/561, 566, 312, 334, 338, 365, 362,  
D21/366, 267, 456; D6/406.3, 406.4,  
(Continued)

(56) **References Cited**

**U.S. PATENT DOCUMENTS**

D217,973 S \* 7/1970 Kohner ..... D21/338  
D246,197 S \* 10/1977 Iwanami ..... D21/590  
(Continued)

**FOREIGN PATENT DOCUMENTS**

CN 306522980 \* 5/2021  
JP D1698911 \* 11/2021  
(Continued)

**OTHER PUBLICATIONS**

Beyblade Burst Pro Series Elite Champions Pro Set, available on Amazon.com, release date Mar. 1, 2021, [site visited Nov. 24, 2021], available URL: <https://www.amazon.com/dp/B08D6TQQX8/> (Year: 2021).\*

(Continued)

*Primary Examiner* — Dana K Weiland  
*Assistant Examiner* — Emily Anna Saunders  
(74) *Attorney, Agent, or Firm* — Oliff PLC

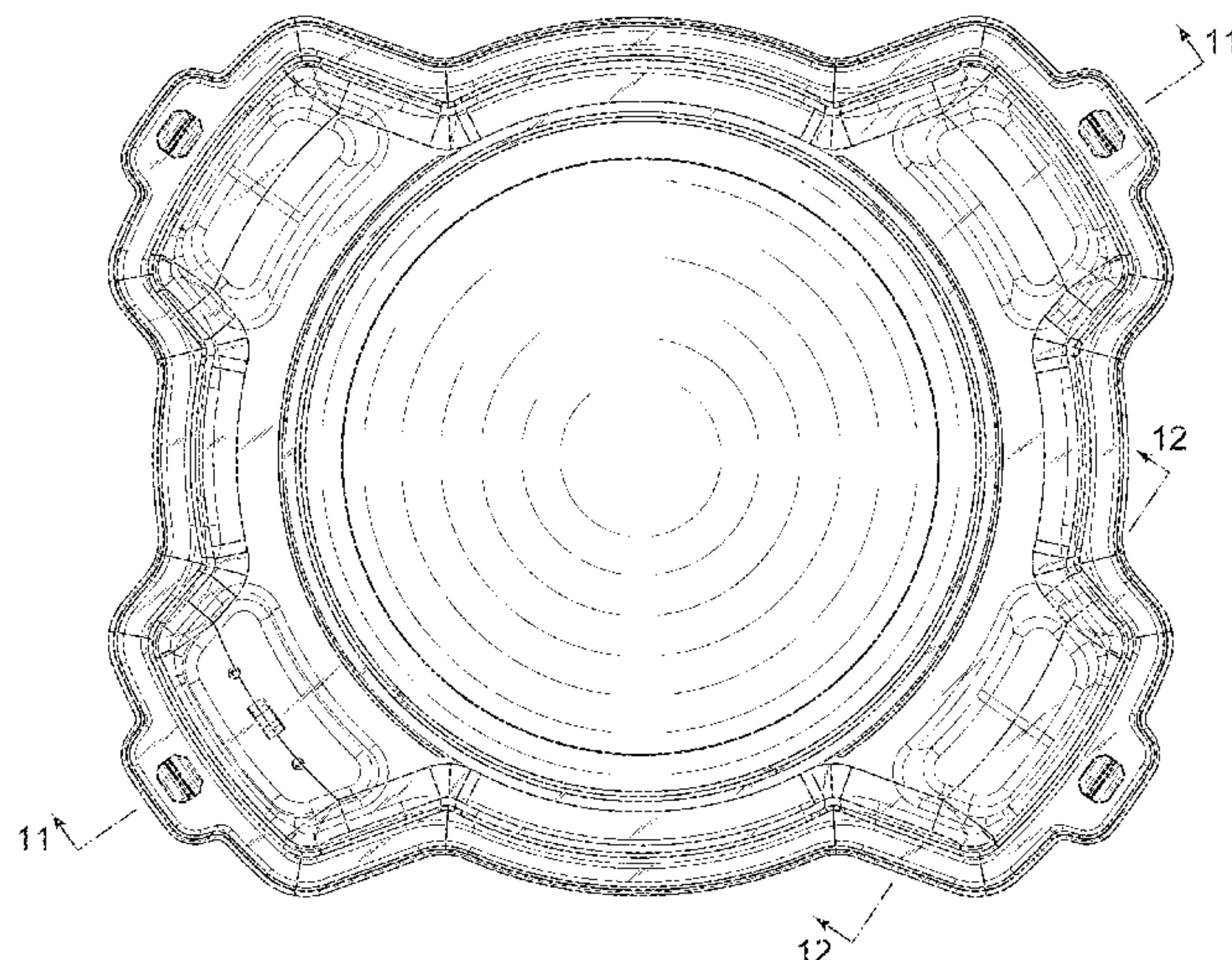
(57) **CLAIM**

The ornamental design for a playing surface assembly for spinning top toy, as shown and described.

**DESCRIPTION**

FIG. 1 is a front elevational view of the playing surface assembly for spinning top toy, showing the new design; FIG. 2 is a left-side elevational view thereof; FIG. 3 is a rear elevational view thereof; FIG. 4 is a right-side elevational view thereof; FIG. 5 is a top plan view thereof; FIG. 6 is a bottom plan view thereof; FIG. 7 is a front, right-side, top perspective view thereof; FIG. 8 is a rear, left-side, bottom perspective view thereof; FIG. 9 is a front, right-side, top disassembled perspective view, showing a state of being separated into four upper fasteners, a cover, a base, four lower fasteners, and a leg; FIG. 10 is a rear, left-side, bottom disassembled perspective view, showing a state of being separated into the four upper fasteners, the cover, the base, the four lower fasteners, and the leg; FIG. 11 is a cross-sectional view taken along the line 11-11 in FIG. 5; FIG. 12 is a cross-sectional view taken along the line 12-12 in FIG. 5; FIG. 13 is an enlarged detail perspective view of one of the upper fasteners shown disassembled in FIGS. 9 and 10; FIG. 14 is another enlarged detail perspective view of one of the upper fasteners shown disassembled in FIGS. 9 and 10; FIG. 15 is an enlarged detail perspective view of one of the lower fasteners shown disassembled in FIGS. 9 and 10; FIG. 16 is another enlarged detail perspective view of one of the lower fasteners shown disassembled in FIGS. 9 and 10; FIG. 17 is an enlarged detail perspective view of the leg shown disassembled in FIGS. 9 and 10; and, FIG. 18 is another enlarged detail perspective view of the leg shown disassembled in FIGS. 9 and 10.

**1 Claim, 15 Drawing Sheets**



(58) **Field of Classification Search**

USPC ..... D6/406.6; D19/86, 87; D7/354, 554.2,  
 D7/554.3, 554.4, 558, 585, 588, 601, 602;  
 D9/499, 737, 758; D30/121, 129, 130,  
 D30/131, 132, 133; D11/152, 153, 154  
 CPC ..... A63H 1/00-10; A63H 1/12; A63H 29/24;  
 A63F 9/16; A63F 3/00; A63F 3/00003;  
 A63F 3/00028; A63F 3/00173; A63F  
 3/00176; A63F 3/00214; A63F 3/00643

See application file for complete search history.

(56) **References Cited**

U.S. PATENT DOCUMENTS

D257,494 S \* 11/1980 Imhoff ..... D30/129  
 4,257,353 A \* 3/1981 Imhoff ..... A01K 5/0121  
 119/61.56  
 D300,672 S \* 4/1989 Seymour ..... D27/102  
 D423,149 S \* 4/2000 Cooper ..... D30/129  
 D594,324 S \* 6/2009 Colacitti ..... D7/354  
 D634,618 S \* 3/2011 Colacitti ..... D9/425  
 D806,801 S \* 1/2018 Shindo ..... D21/338  
 D811,487 S \* 2/2018 Shindo ..... D21/338  
 D838,316 S \* 1/2019 Shindo ..... D21/461  
 D838,550 S \* 1/2019 Kerr ..... D7/554.2  
 D845,555 S \* 4/2019 Li ..... D30/122  
 D859,531 S \* 9/2019 Matsukawa ..... D21/338  
 D883,389 S \* 5/2020 Schultheis ..... D21/338

D886,903 S \* 6/2020 Ishii ..... D21/338  
 D904,521 S \* 12/2020 Schultheis ..... D21/338  
 2017/0333783 A1 \* 11/2017 Shindo ..... A63H 1/00

FOREIGN PATENT DOCUMENTS

WO WO-D213660-001 \* 6/2021  
 WO WO-D212164-001 \* 7/2021

OTHER PUBLICATIONS

Hasbro France F2292EU5 48620 Beyblade Burst Series Elite Cham-  
 pions Pro Set, available at Amazon.uk.com, date first available Mar.  
 9, 2021, [site visited Nov. 24, 2021], available URL: <https://www.amazon.co.uk/Hasbro-BEY-PRO-ELITE-CHAMPIONS/dp/B08PL628DR/> (Year: 2021).\*

Gist Gear Best Battling Tops Buying Guide, #10 Beyblade Burst Pro  
 Series Elite Champions Pro Set, blog published Nov. 24, 2021, first  
 available Mar. 1, 2021, [site visited Nov. 24, 2021], available URL:  
<https://gistgear.com/toys/games/battling-tops> (Year: 2021).\*

Elite Champions Beystadium, available on beyblade.fandom.com,  
 United States release date Mar. 2021, [site visited Nov. 24, 2021],  
 available URL: [https://beyblade.fandom.com/wiki/Elite\\_Champions\\_Beystadium](https://beyblade.fandom.com/wiki/Elite_Champions_Beystadium)(Year: 2021).\*

Beyblade Burst Pro Series Elite Champions Pro Set, available at  
 Walmart.com, oldest customer review Apr. 11, 2021, [site visited on  
 Nov. 26, 2021], available URL: <https://www.walmart.com/ip/Beyblade-Burst-Pro-Series-Elite-Champions-Pro-Set-Battle-Game-Set-Beystadium/695006977> (Year: 2021).\*

\* cited by examiner



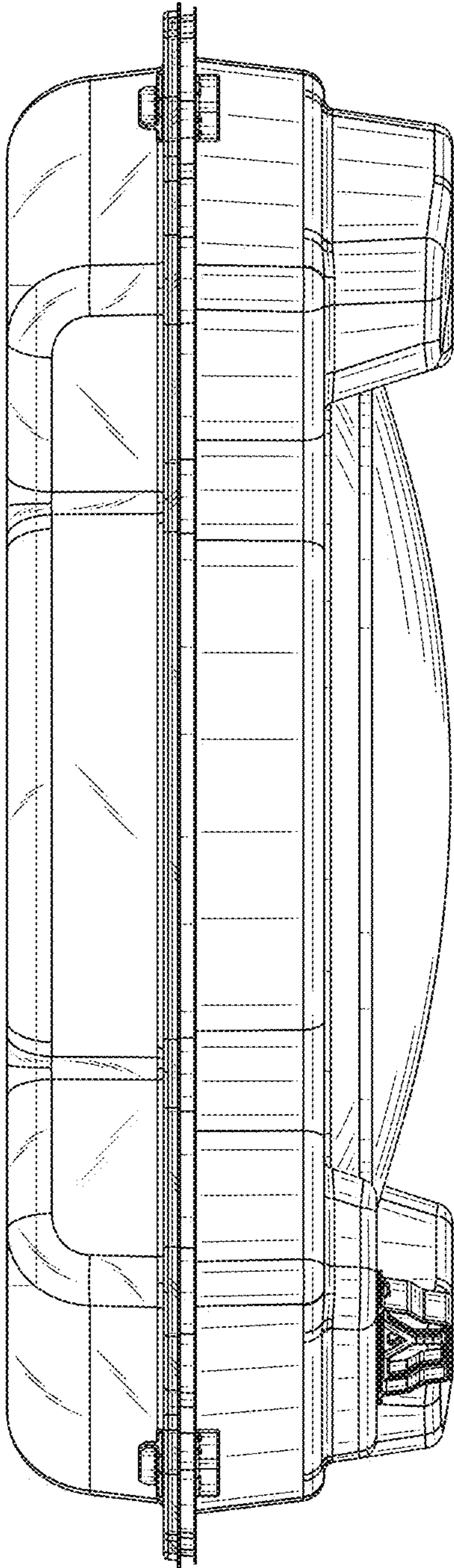


FIG. 1

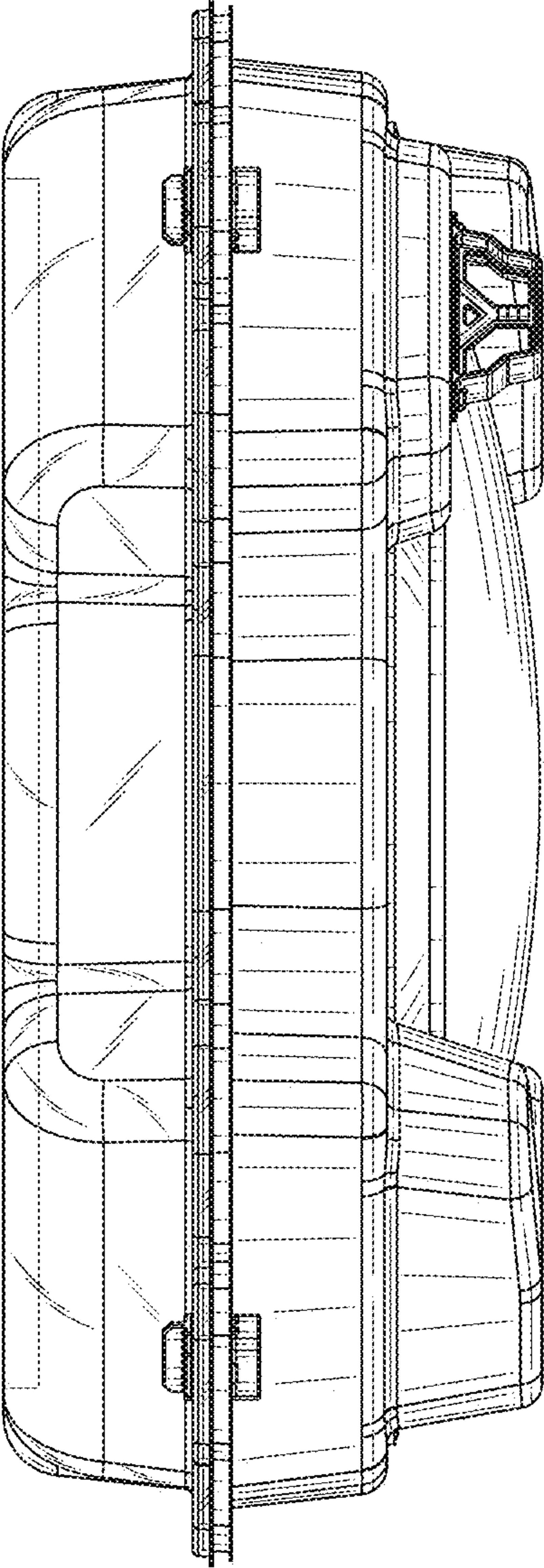


FIG. 2

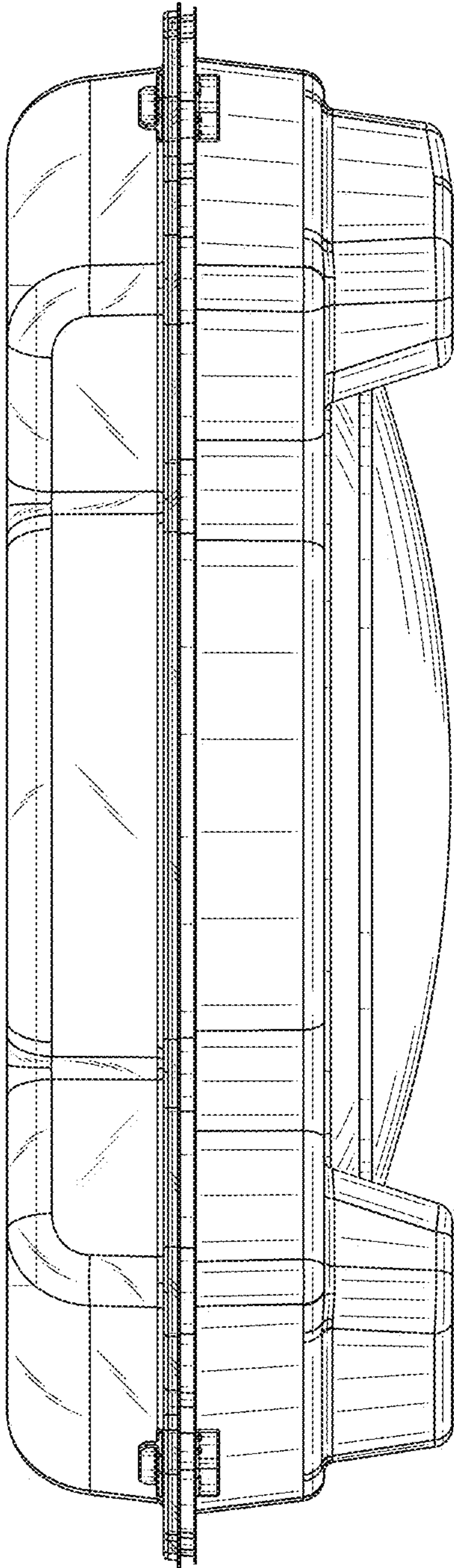


FIG. 3

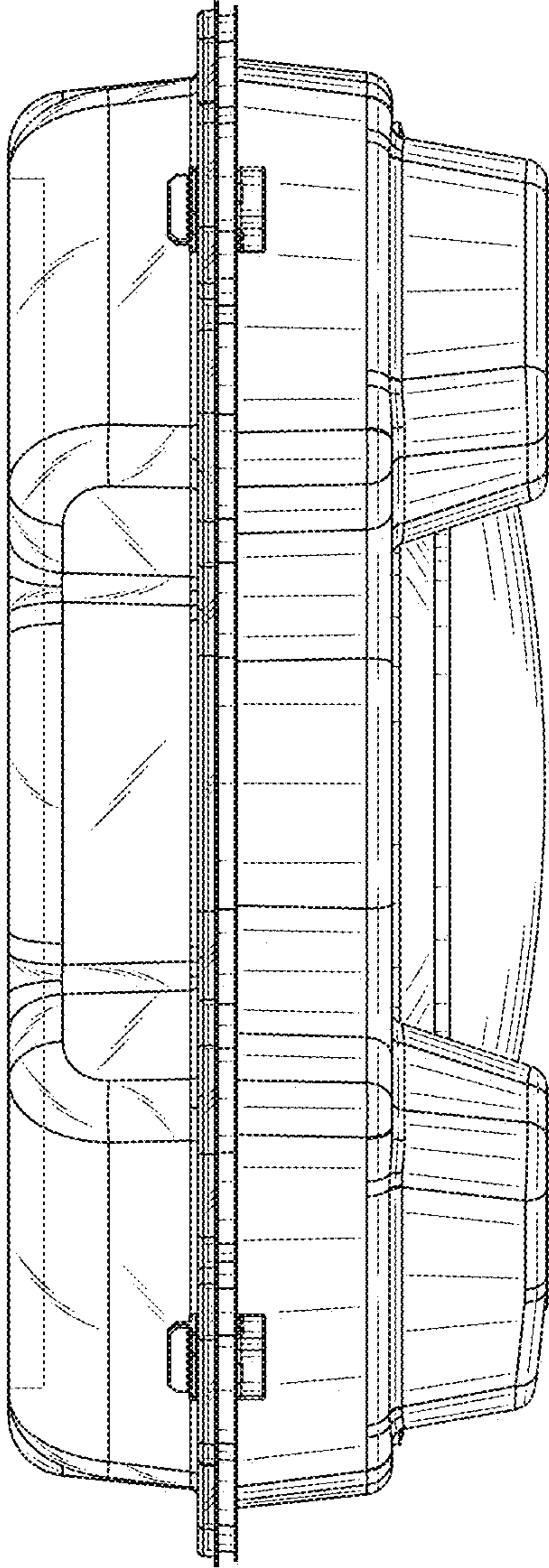


FIG. 4



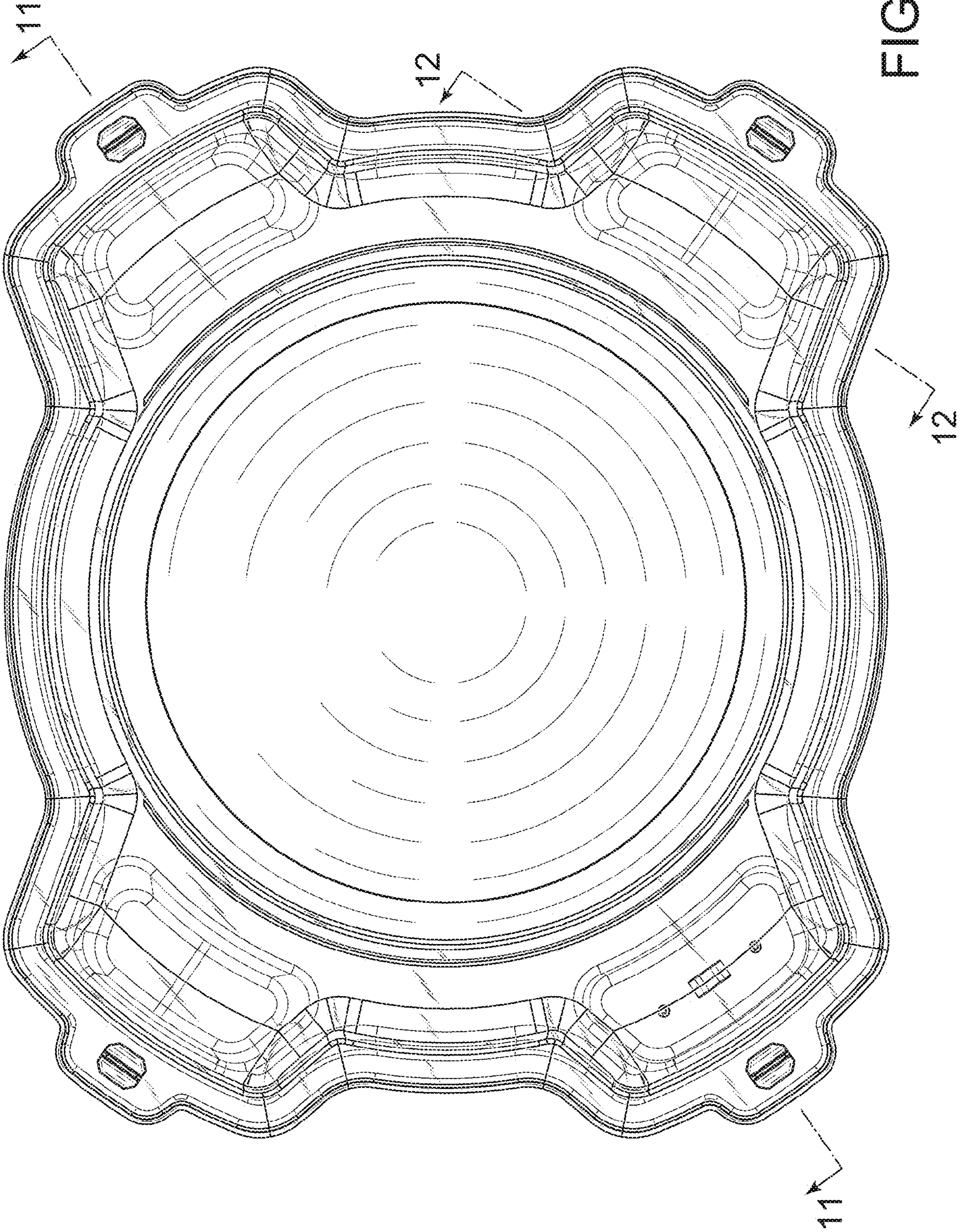


FIG. 5



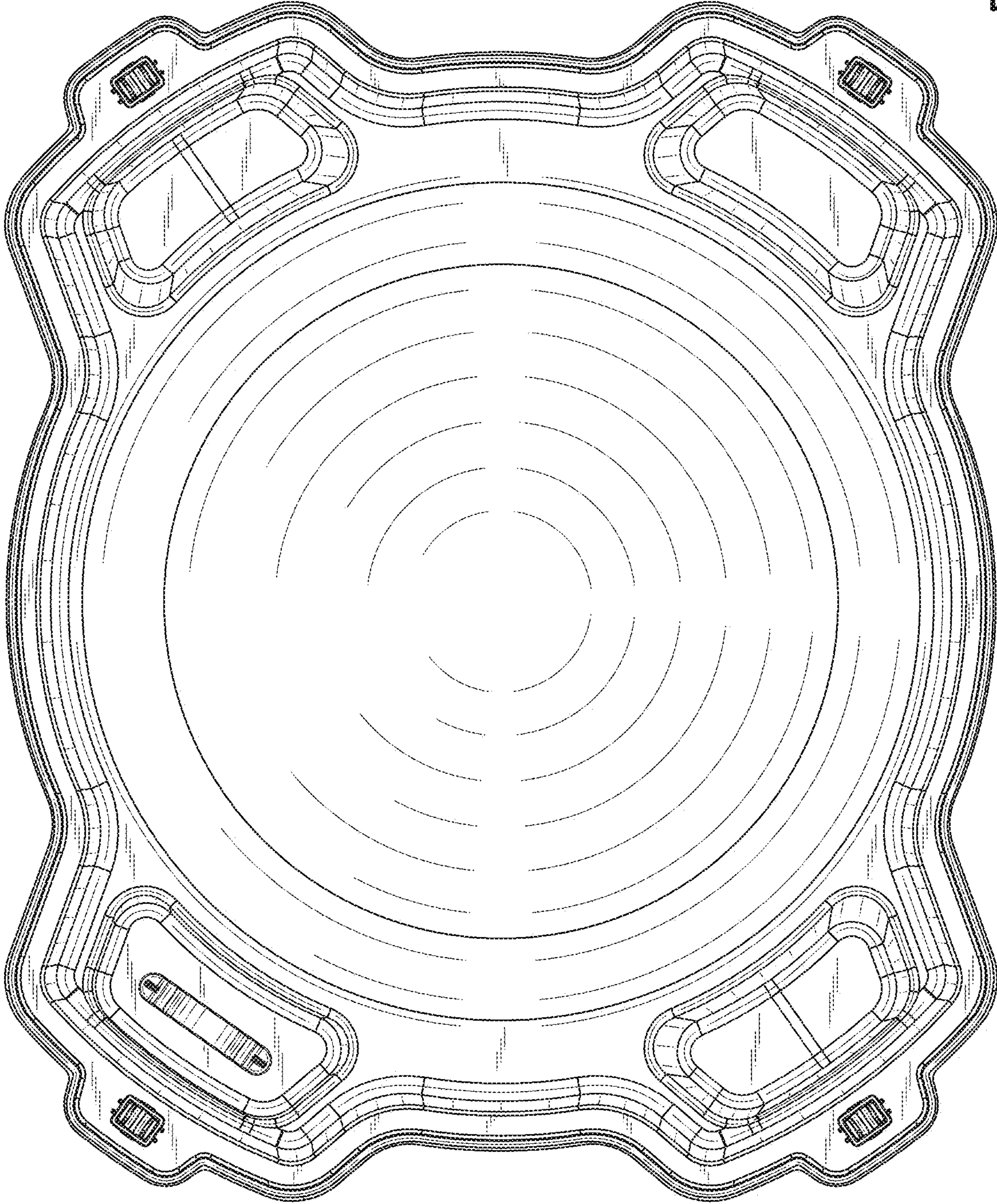


FIG. 6



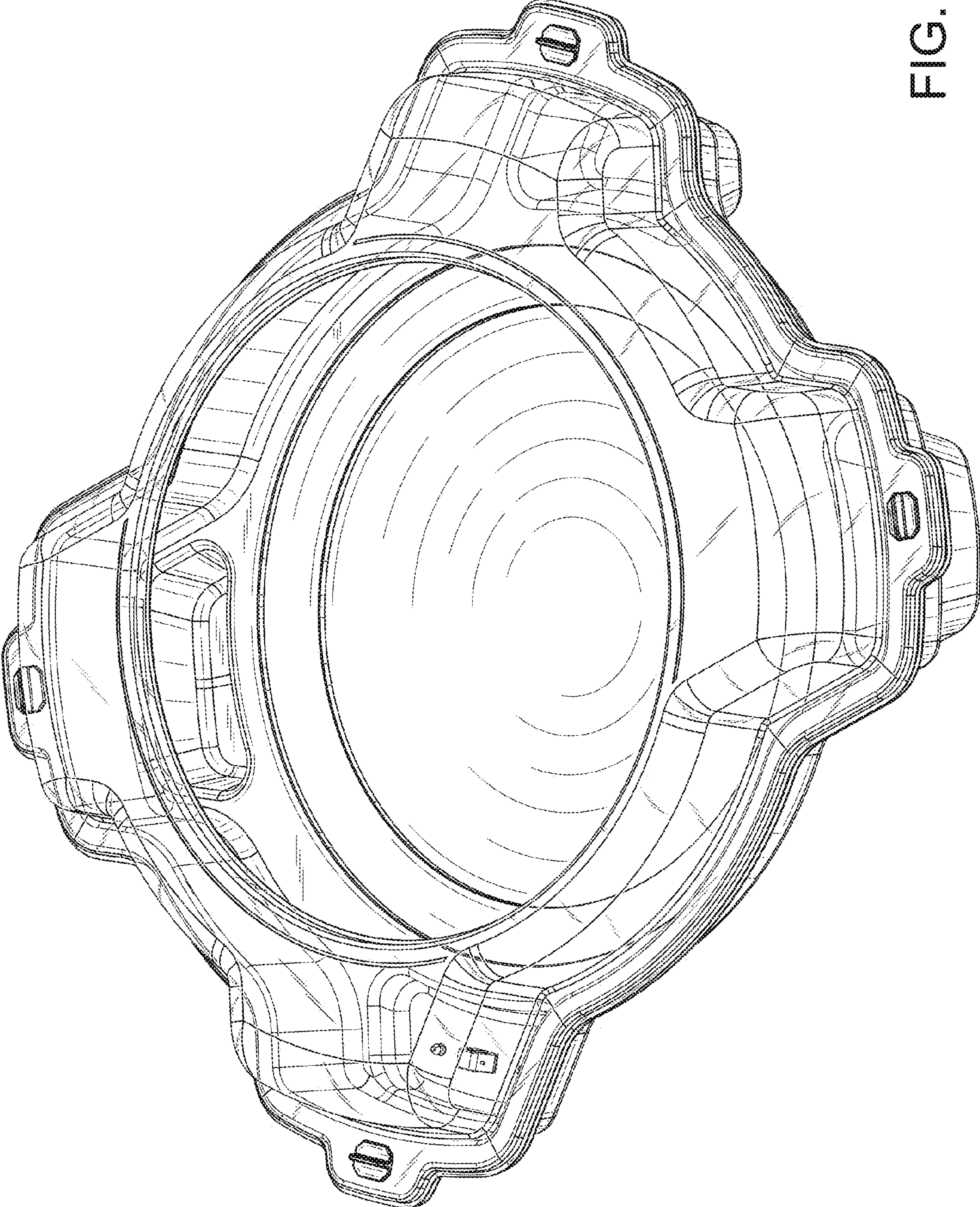


FIG. 7



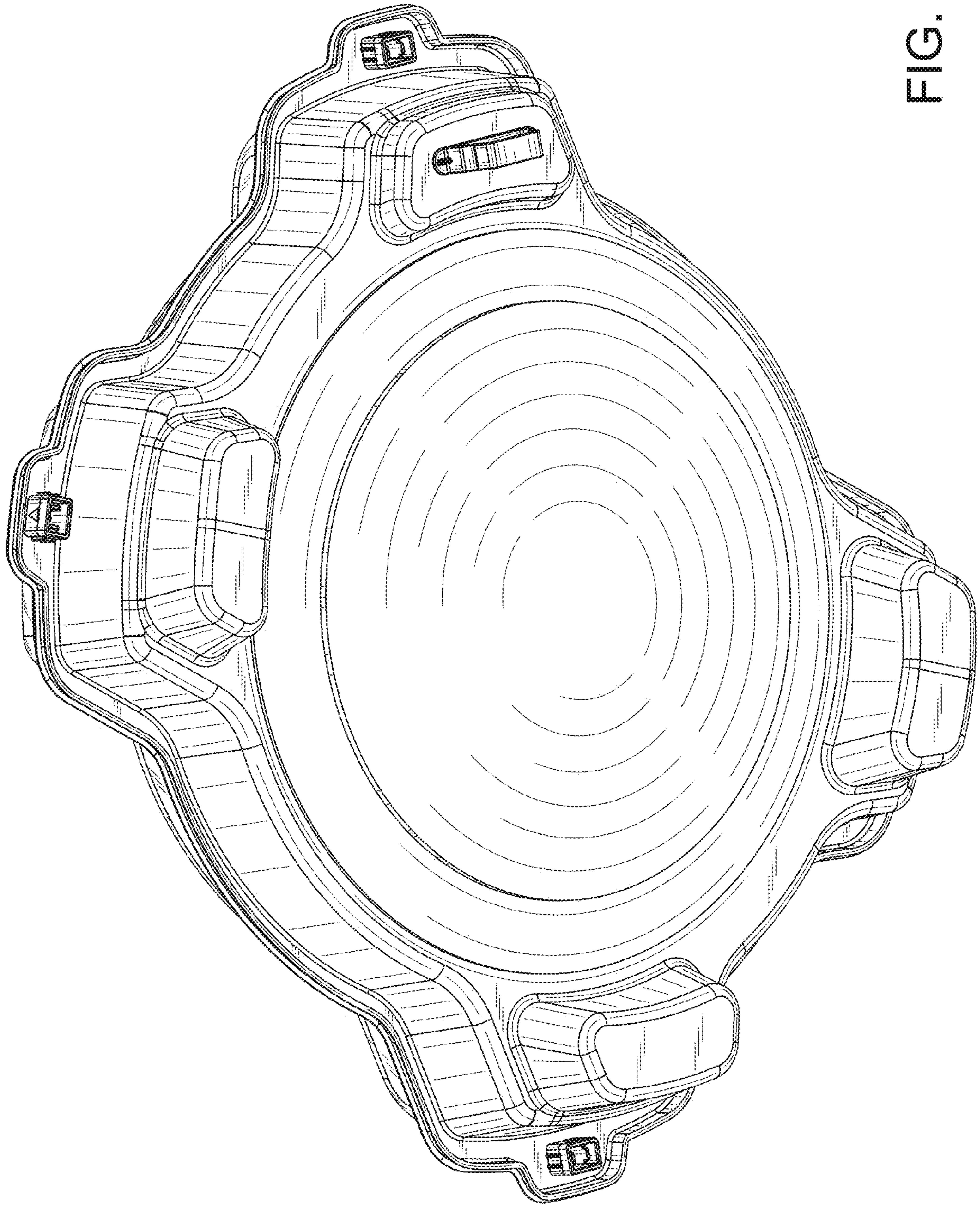


FIG. 8



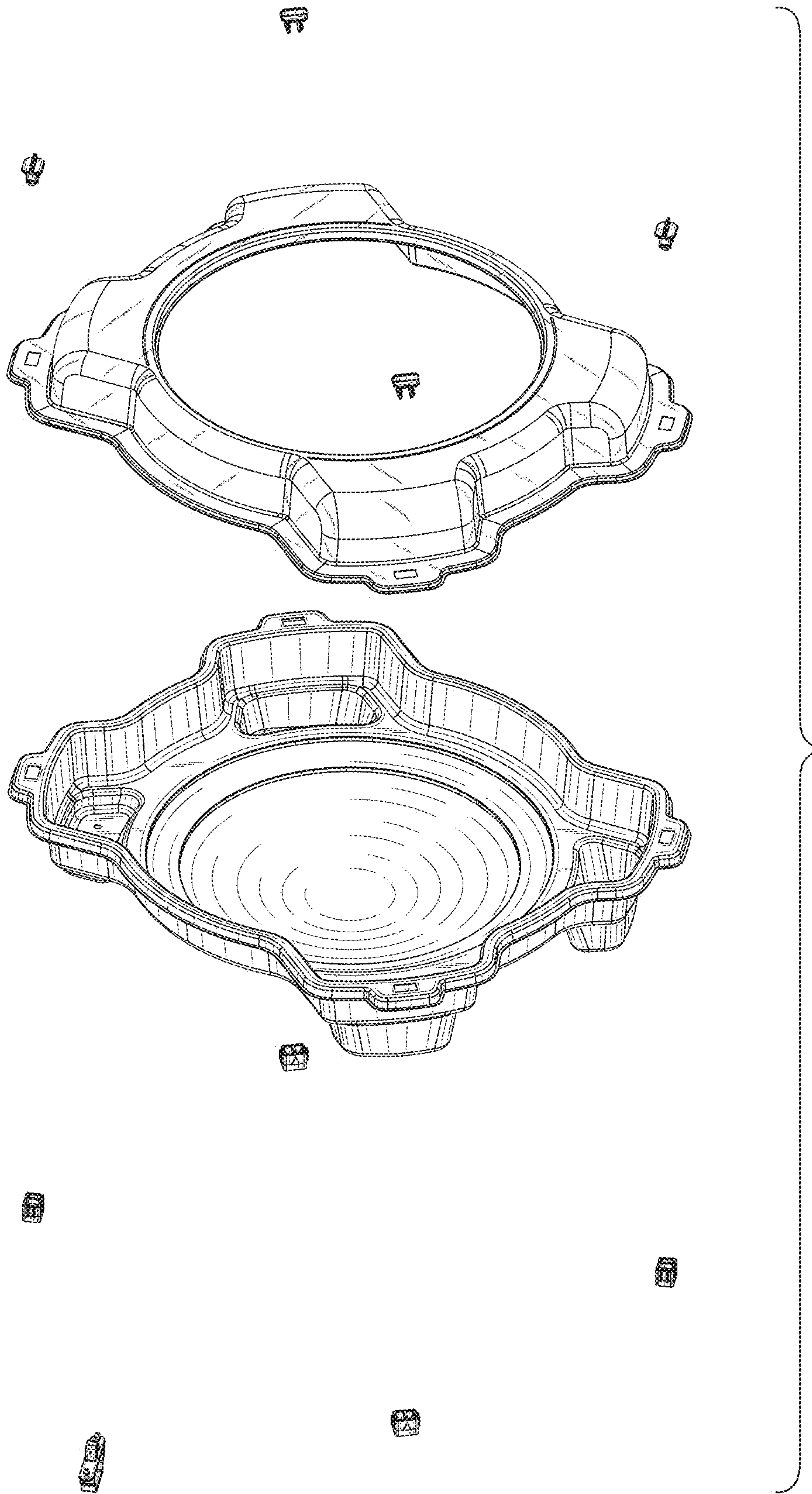


FIG. 9

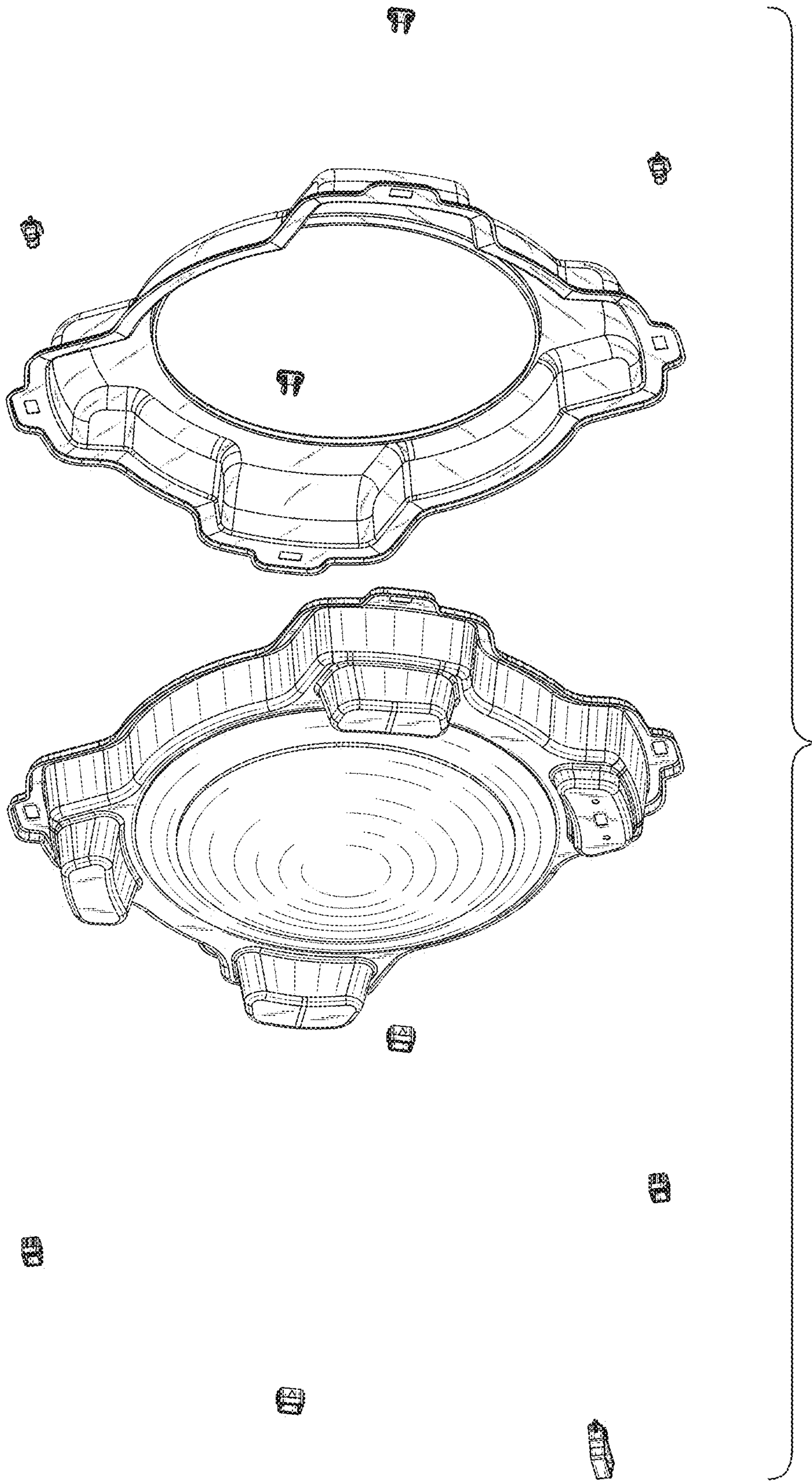


FIG. 10



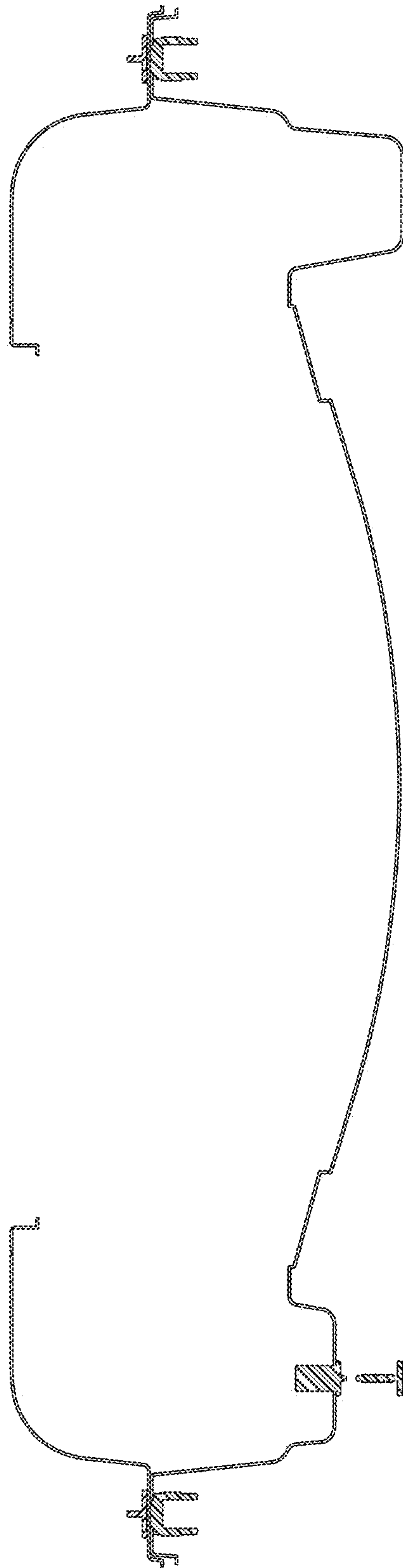


FIG. 11

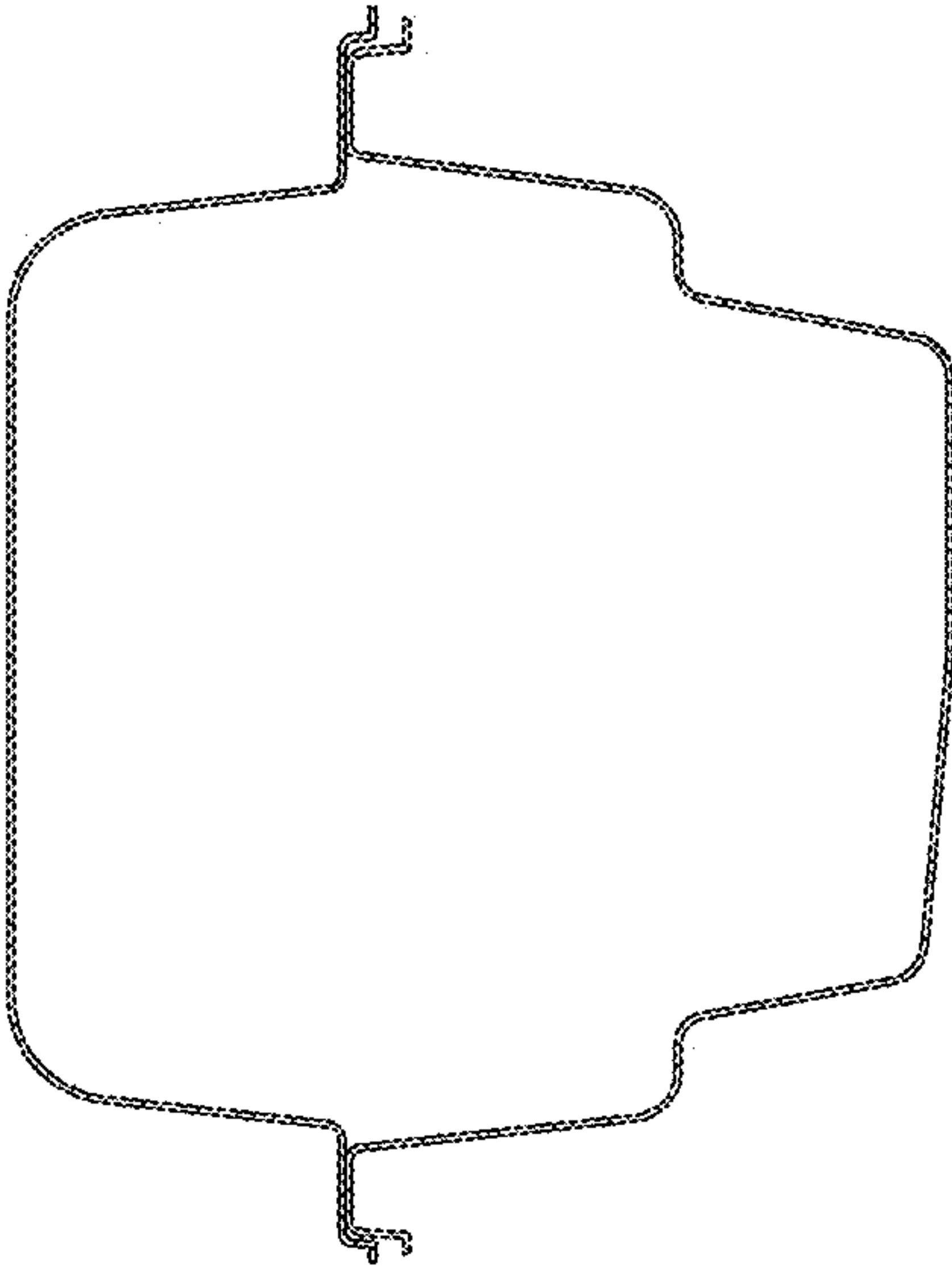


FIG. 12



FIG. 13

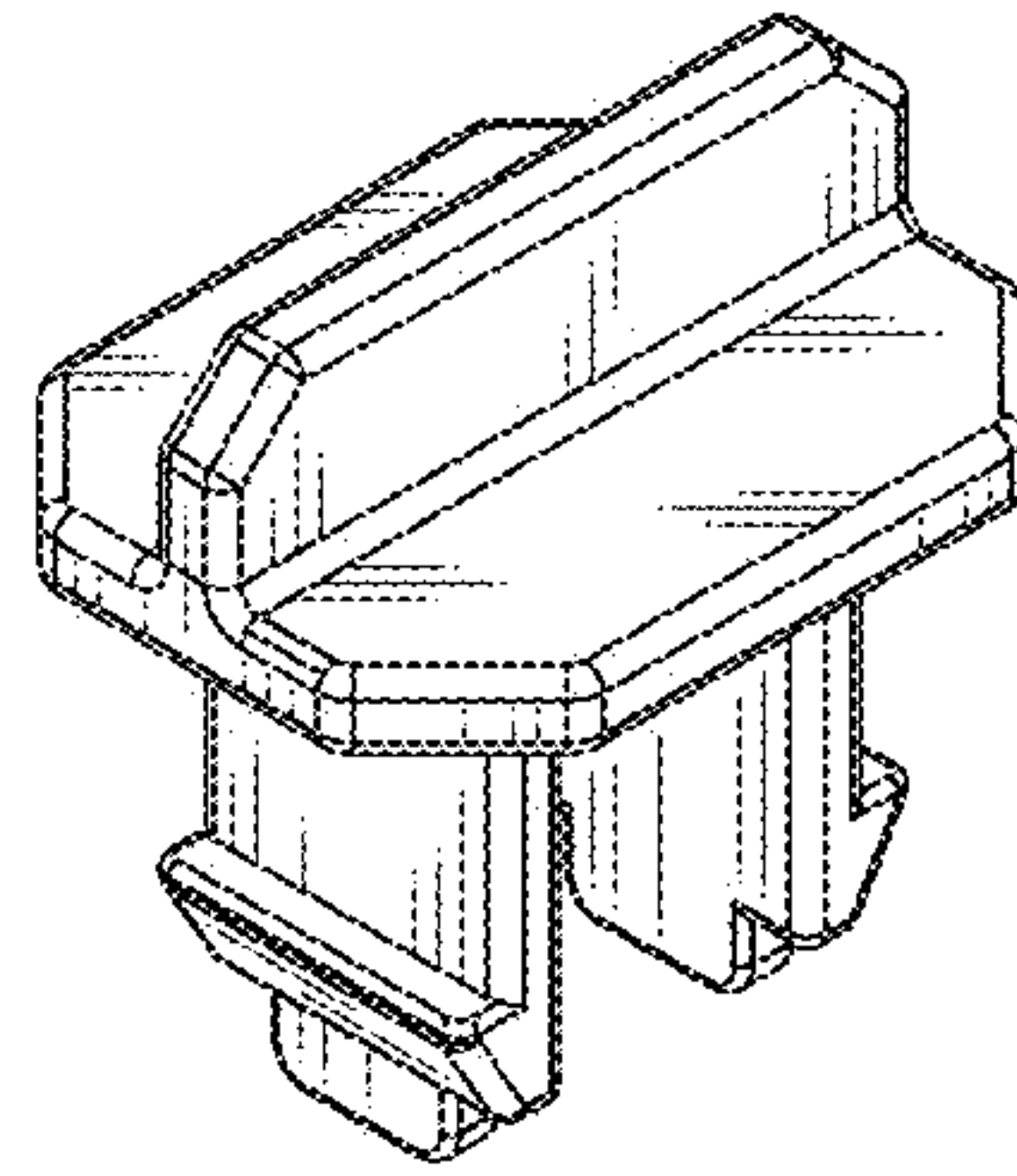


FIG. 14

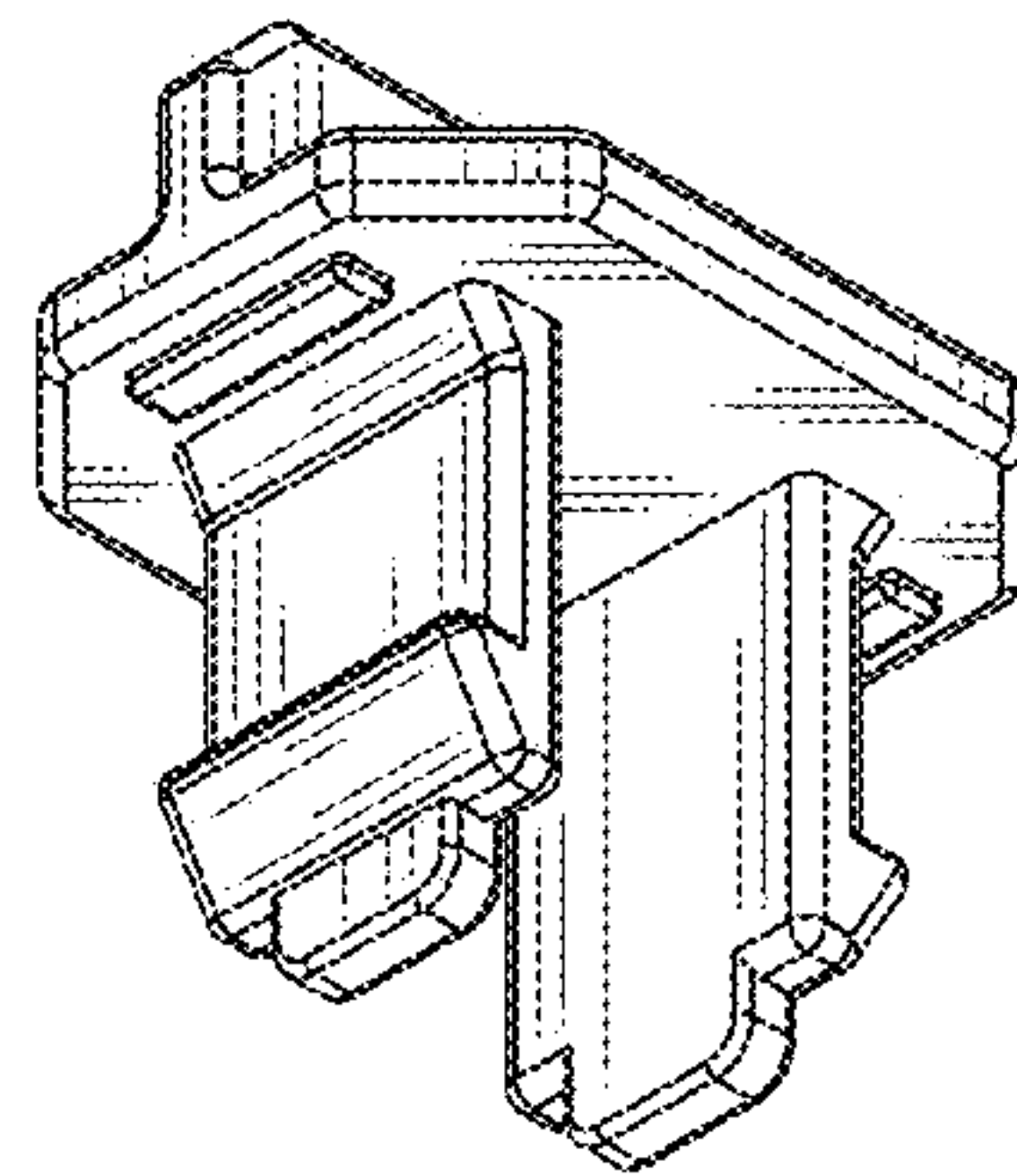


FIG. 15

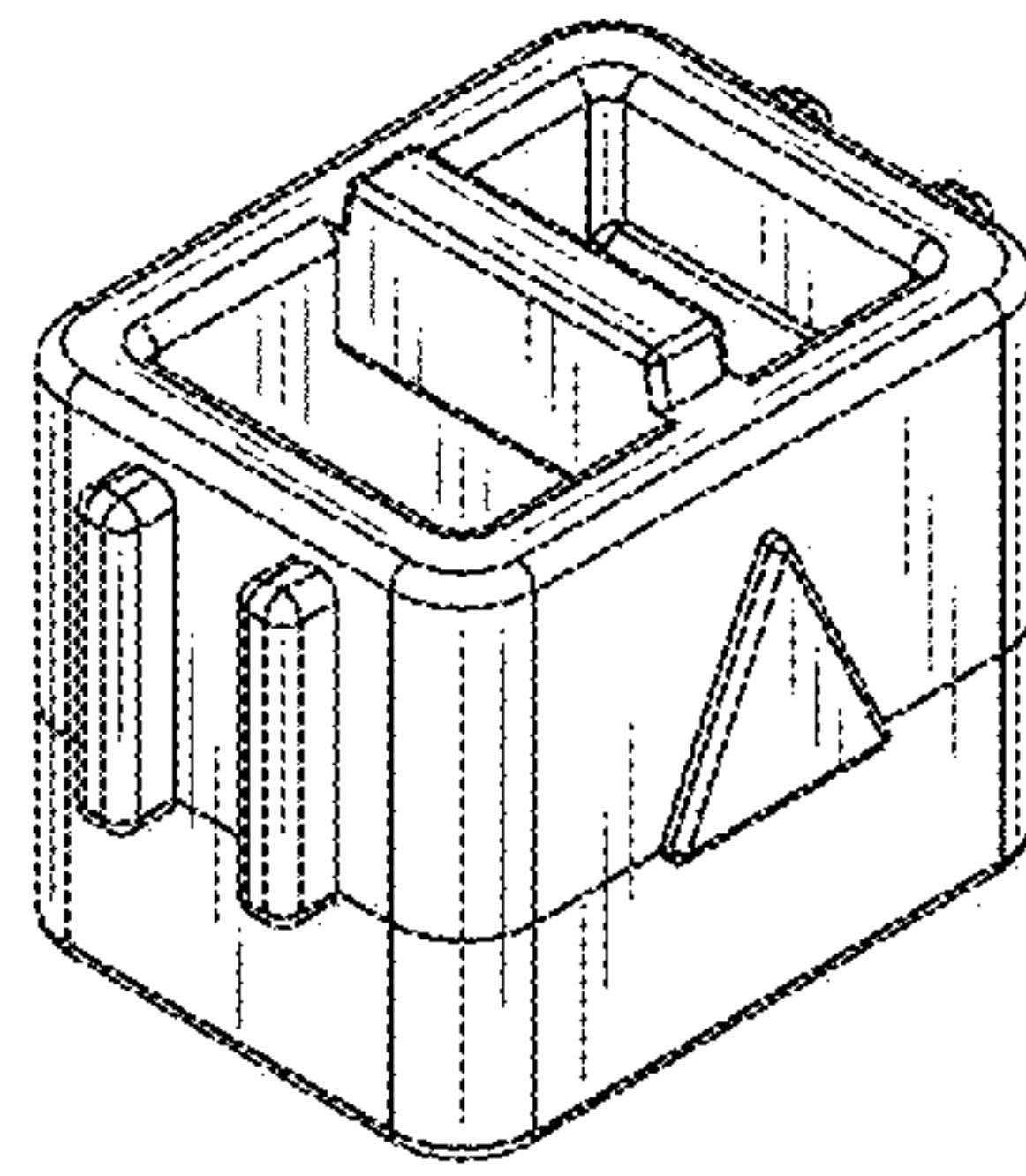


FIG. 16

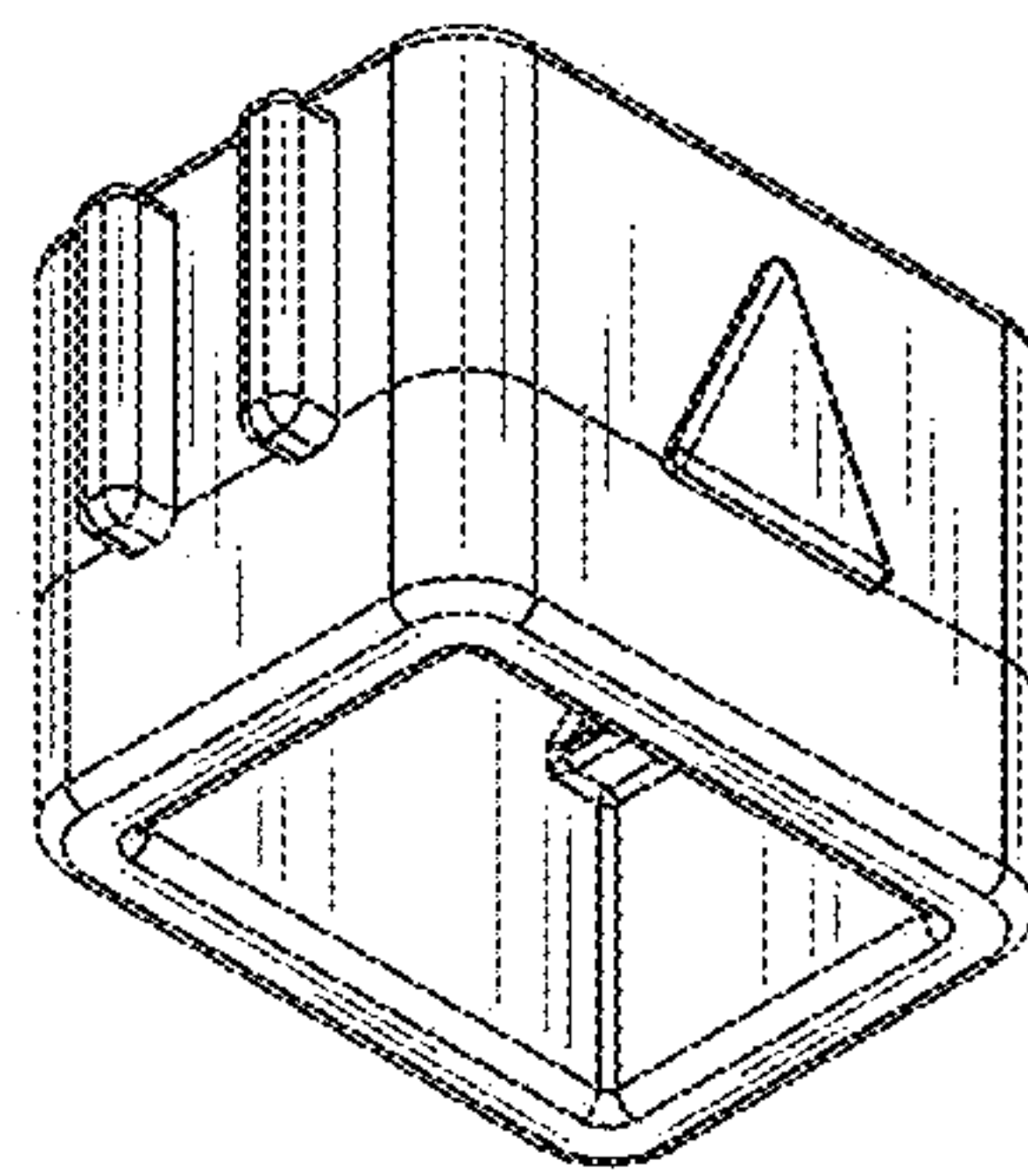




FIG. 17

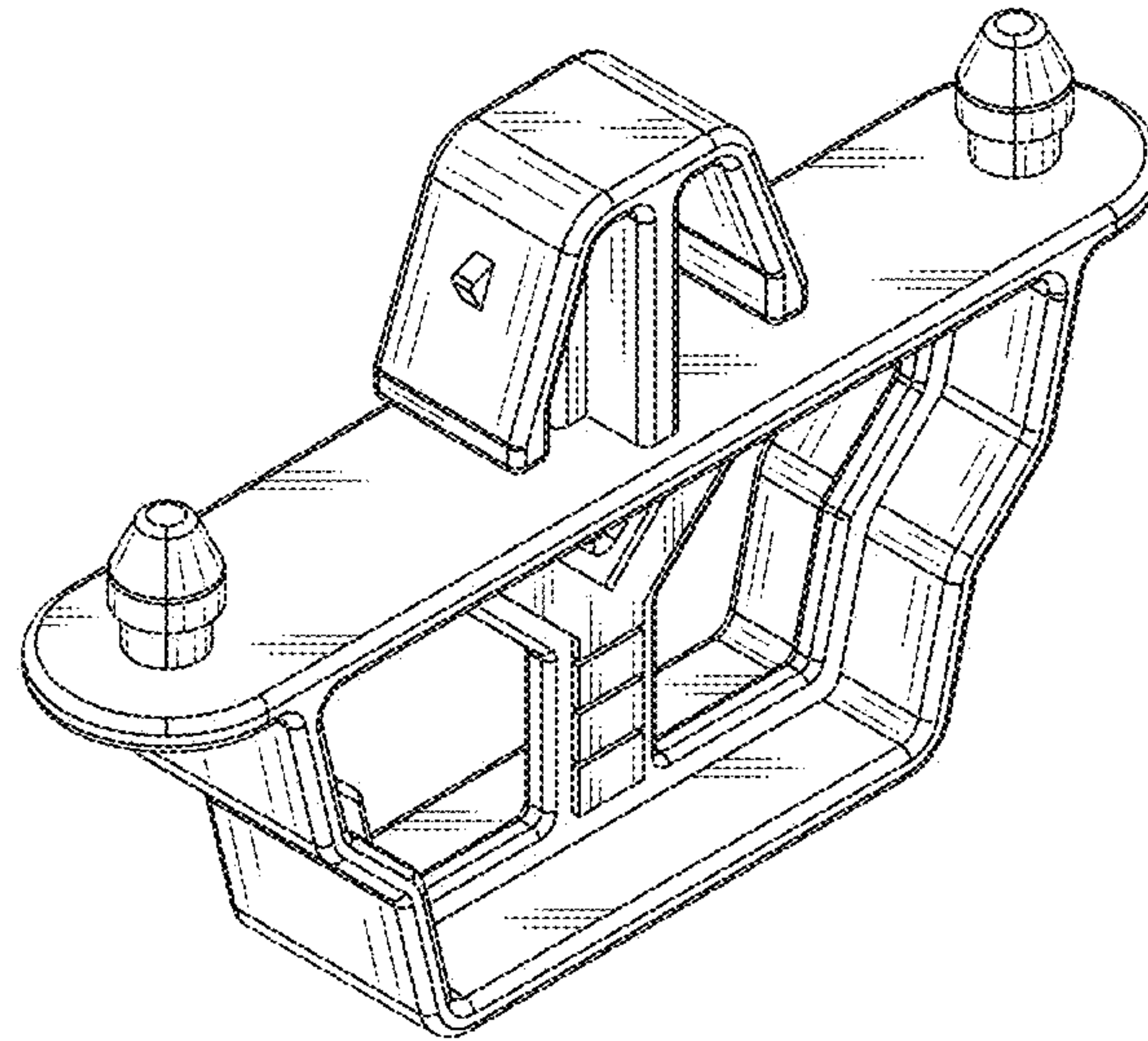


FIG. 18

