



US00D958890S

(12) **United States Design Patent** (10) **Patent No.:** **US D958,890 S**
Zhu (45) **Date of Patent:** **** Jul. 26, 2022**

(54) **STICKER SKIN FOR GAME CONSOLE**

(71) Applicant: **Jiarui Zhu**, Zhongshan (CN)

(72) Inventor: **Jiarui Zhu**, Zhongshan (CN)

(**) Term: **15 Years**

(21) Appl. No.: **29/719,645**

(22) Filed: **Jan. 7, 2020**

(51) **LOC (13) Cl.** **21-01**

(52) **U.S. Cl.**
USPC **D21/333**

(58) **Field of Classification Search**
USPC D21/324, 330, 332, 333; D14/299, 496,
D14/502, 505, 506; D13/168
CPC A63F 13/24; A63F 9/00; A63F 9/24; A63F
11/00; A63F 13/00; A63F 13/02; A63F
2300/00; G07F 17/00
See application file for complete search history.

(56) **References Cited**

U.S. PATENT DOCUMENTS

D777,842 S *	1/2017	Buller	D14/401
D797,196 S *	9/2017	Buller	D14/401
D837,891 S *	1/2019	Buller	D14/440
D928,881 S *	8/2021	Chatterjee	D21/333
D930,082 S *	9/2021	Buller	D21/333
D938,524 S *	12/2021	Buller	D21/333

OTHER PUBLICATIONS

“Xbox Series X Stickers”, posted Dec. 17, 2020 [Online], [retrieved May 20, 2022]. Retrieved from Internet, <https://amzn.to/3LxxNeS>.*

* cited by examiner

Primary Examiner — Mehri F Bajoul

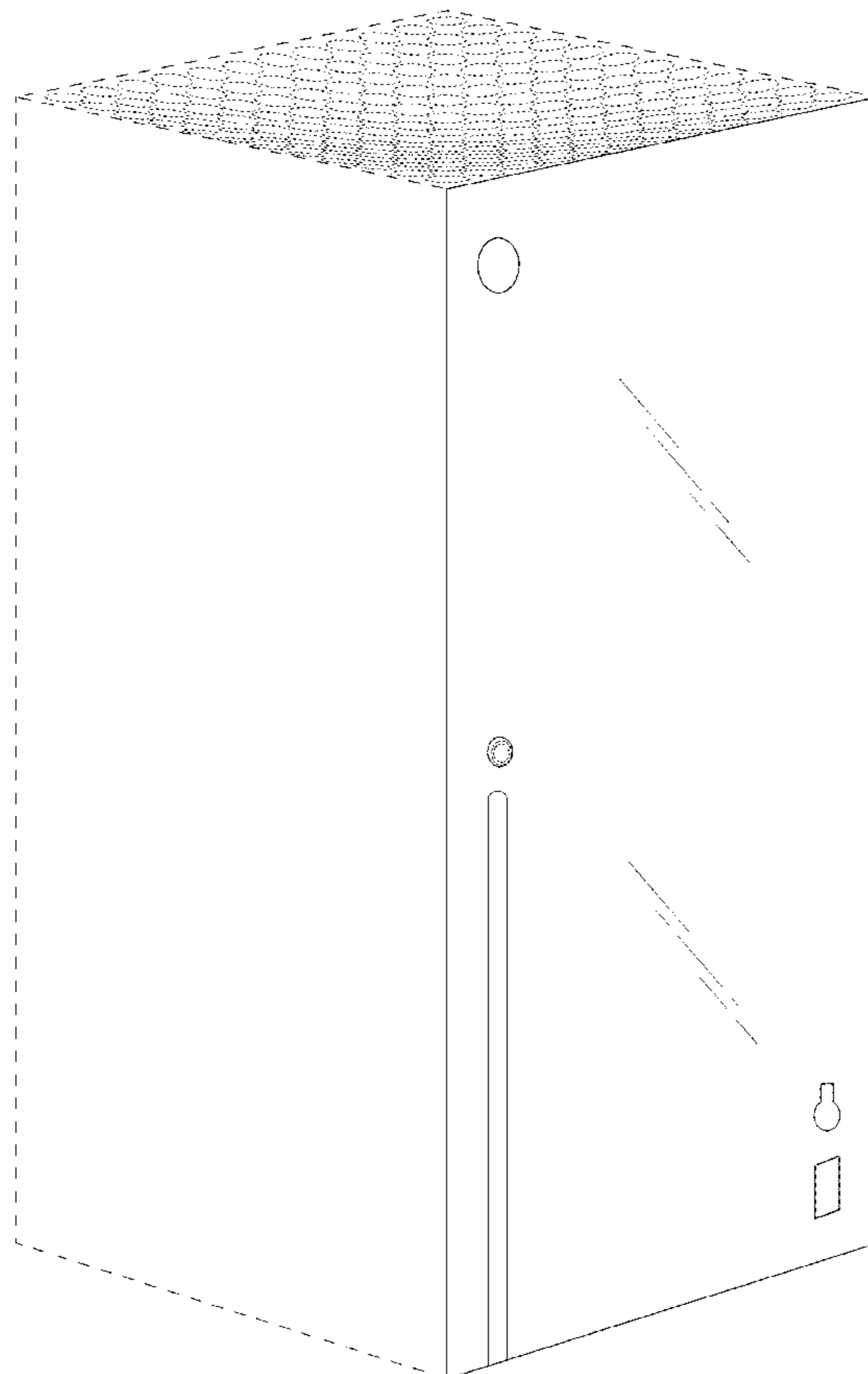
(57) **CLAIM**

The ornamental design for sticker skin for game console, as shown and described.

DESCRIPTION

FIG. 1 is a front elevational view of a sticker skin for game console showing my new design;
FIG. 2 is a rear elevational view thereof;
FIG. 3 is a left side elevational view thereof;
FIG. 4 is a front perspective view thereof, showing the sticker skin for game console in use; and,
FIG. 5 is a top perspective view thereof.
The broken lines showing of a game console in FIGS. 4 and 5, depict environmental structure of the sticker skin for game console that form no part of the claim.

1 Claim, 5 Drawing Sheets



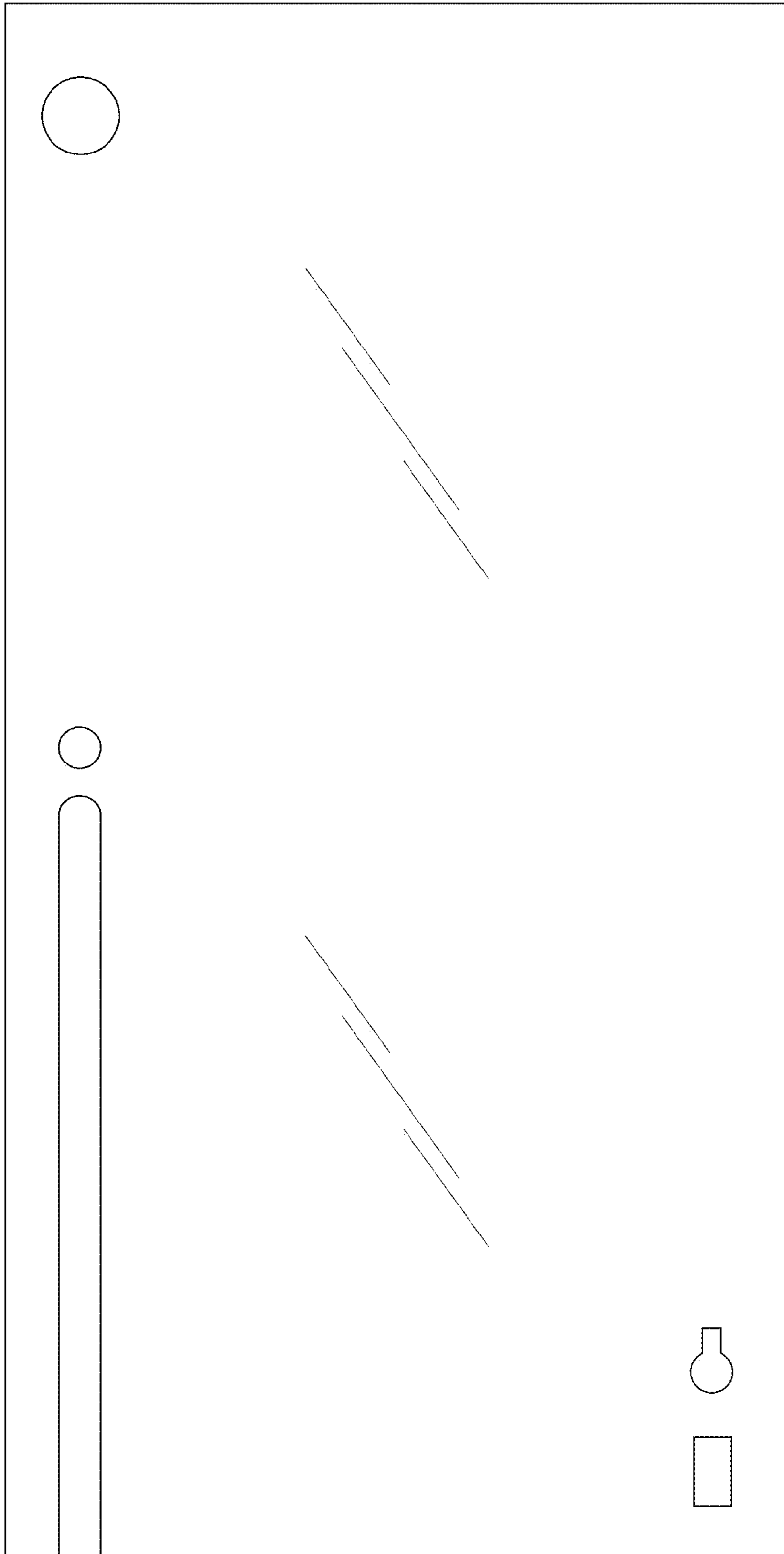


FIG. 1

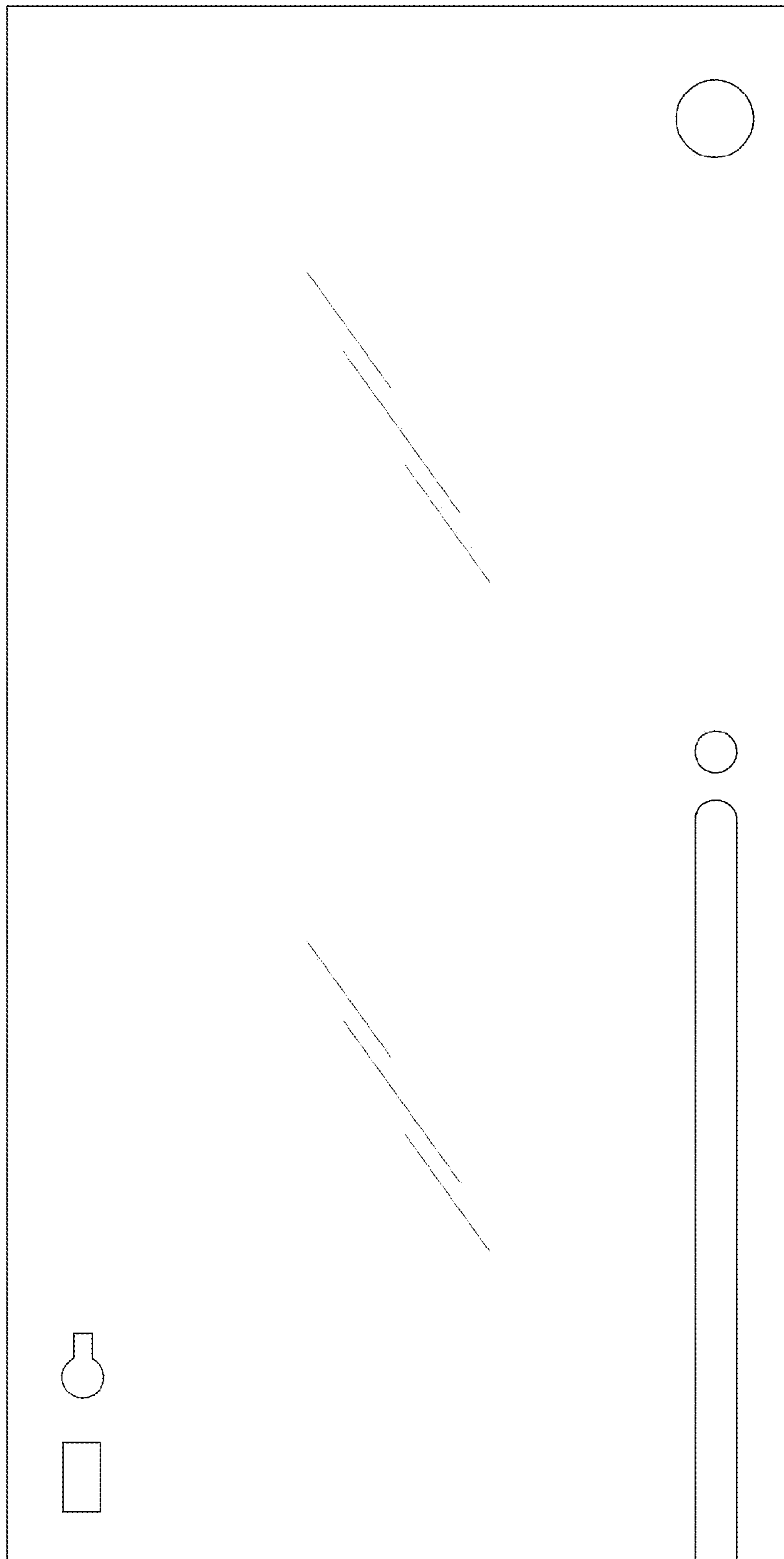


FIG. 2



FIG. 3

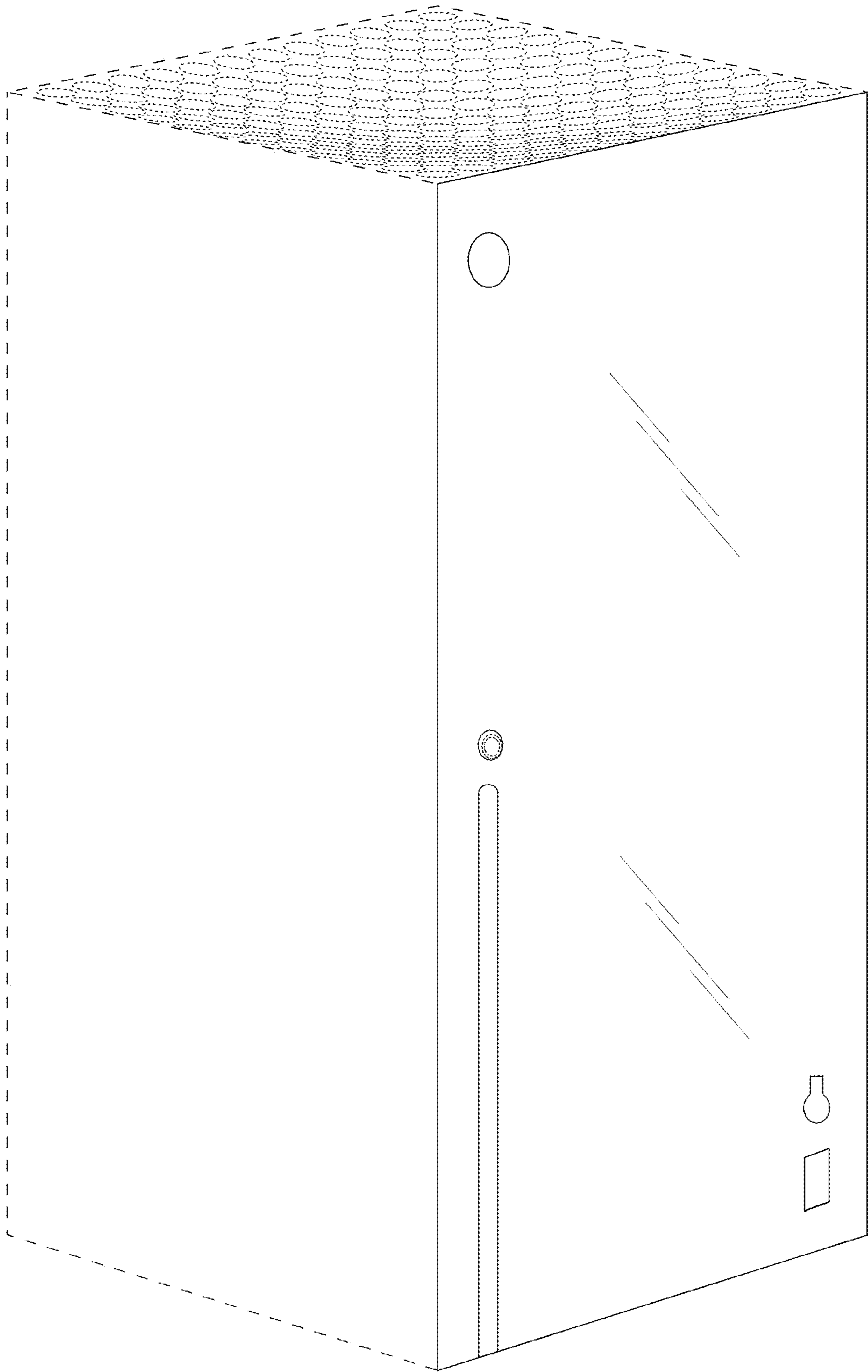


FIG. 4

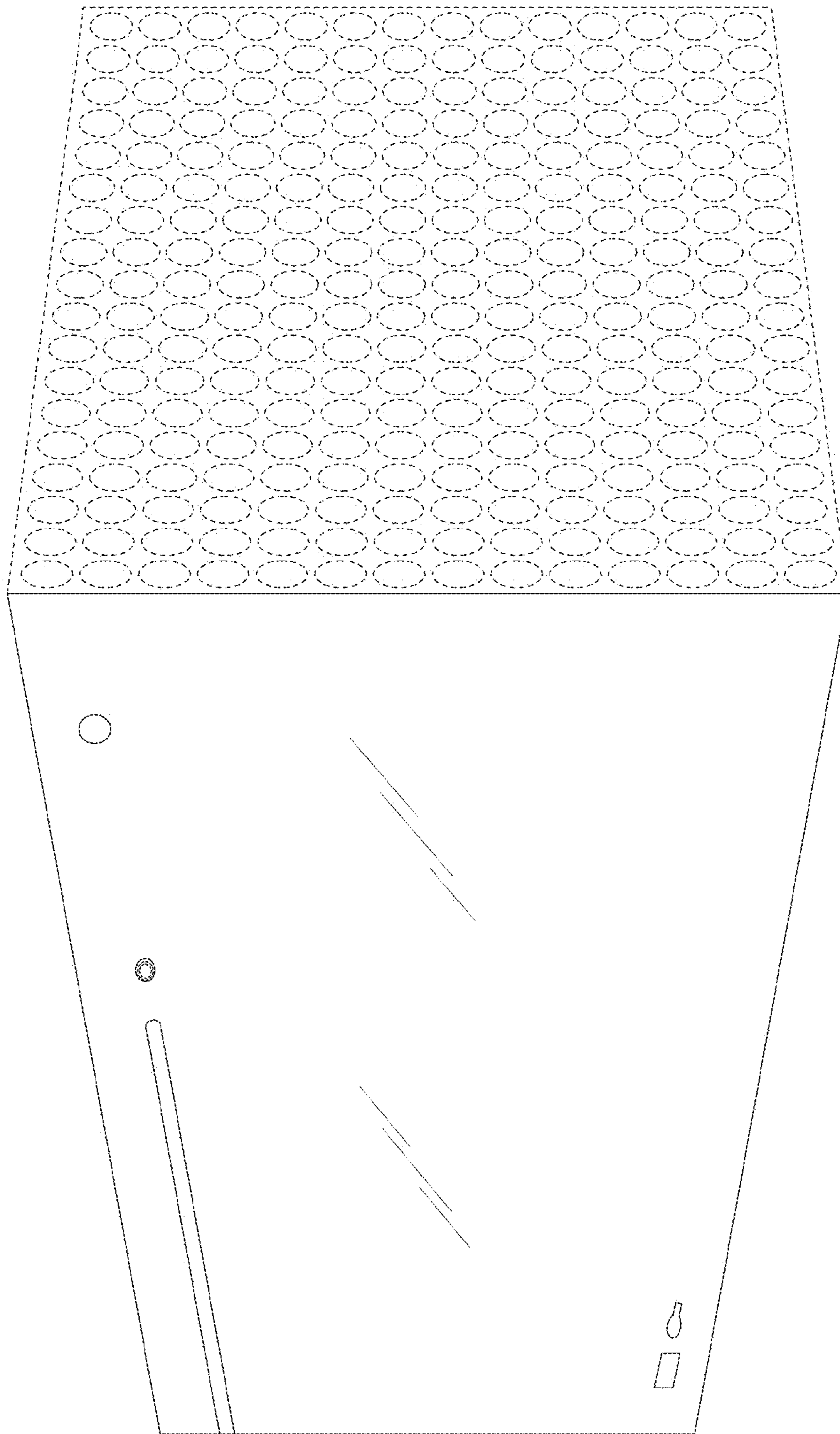


FIG. 5