



US00D958889S

(12) **United States Design Patent**
Luo et al.

(10) **Patent No.:** **US D958,889 S**
(45) **Date of Patent:** **** Jul. 26, 2022**

(54) **GAME CONTROLLER**
(71) Applicant: **Xiaohua Luo**, Ezhou (CN)
(72) Inventors: **Xiaohua Luo**, Ezhou (CN); **Daoyou Wang**, Ezhou (CN)
(73) Assignee: **Xiaohua Lou**, Ezhou (CN)
(**) Term: **15 Years**

D769,982 S *	10/2016	Konishi	D21/333
D794,027 S *	8/2017	Ironmonger	D14/401
D795,961 S *	8/2017	Chatterjee	D21/333
D816,083 S *	4/2018	Wu	D14/401
D816,674 S *	5/2018	Wu	D14/401
D819,641 S *	6/2018	Tsuchiya	D14/401
D870,817 S *	12/2019	Yeung	D21/333
D871,505 S *	12/2019	Wang	D21/333
D881,281 S *	4/2020	Tong	D21/333
D885,387 S *	5/2020	Hu	D14/401
D888,832 S *	6/2020	Tong	D21/333
D890,263 S *	7/2020	Tong	D21/333
D894,281 S *	8/2020	Wang	D21/333

(21) Appl. No.: **29/715,671**

* cited by examiner

(22) Filed: **Dec. 4, 2019**

Primary Examiner — Mehri F Bajoul

(51) **LOC (13) Cl.** **21-01**

(74) *Attorney, Agent, or Firm* — Bayramoglu Law Offices LLC

(52) **U.S. Cl.**

USPC **D21/333**

(58) **Field of Classification Search**

USPC D21/324–329, 333; D14/250, 299, 322, D14/341, 345, 346, 353, 354, 374, 375, D14/376, 421, 432, 440, 463, 493; D22/100, 103–105; D13/162.1; D10/78, D10/98, 103; D12/174, 177, 190, 218
CPC A45C 13/00; A45C 13/001; A45C 13/002; A63F 13/10; A63F 9/0294; G06F 3/014; G06F 3/0346; G06F 3/0338; G06T 7/246
See application file for complete search history.

(57) **CLAIM**

The ornamental design for a game controller, as shown.

DESCRIPTION

FIG. 1 is front perspective view of a game controller showing our new design;
FIG. 2 is a front view thereof;
FIG. 3 is a rear view thereof;
FIG. 4 is a left side view thereof;
FIG. 5 is a right side view thereof;
FIG. 6 is a top view thereof;
FIG. 7 is a bottom view thereof; and,
FIG. 8 is a rear perspective view thereof.

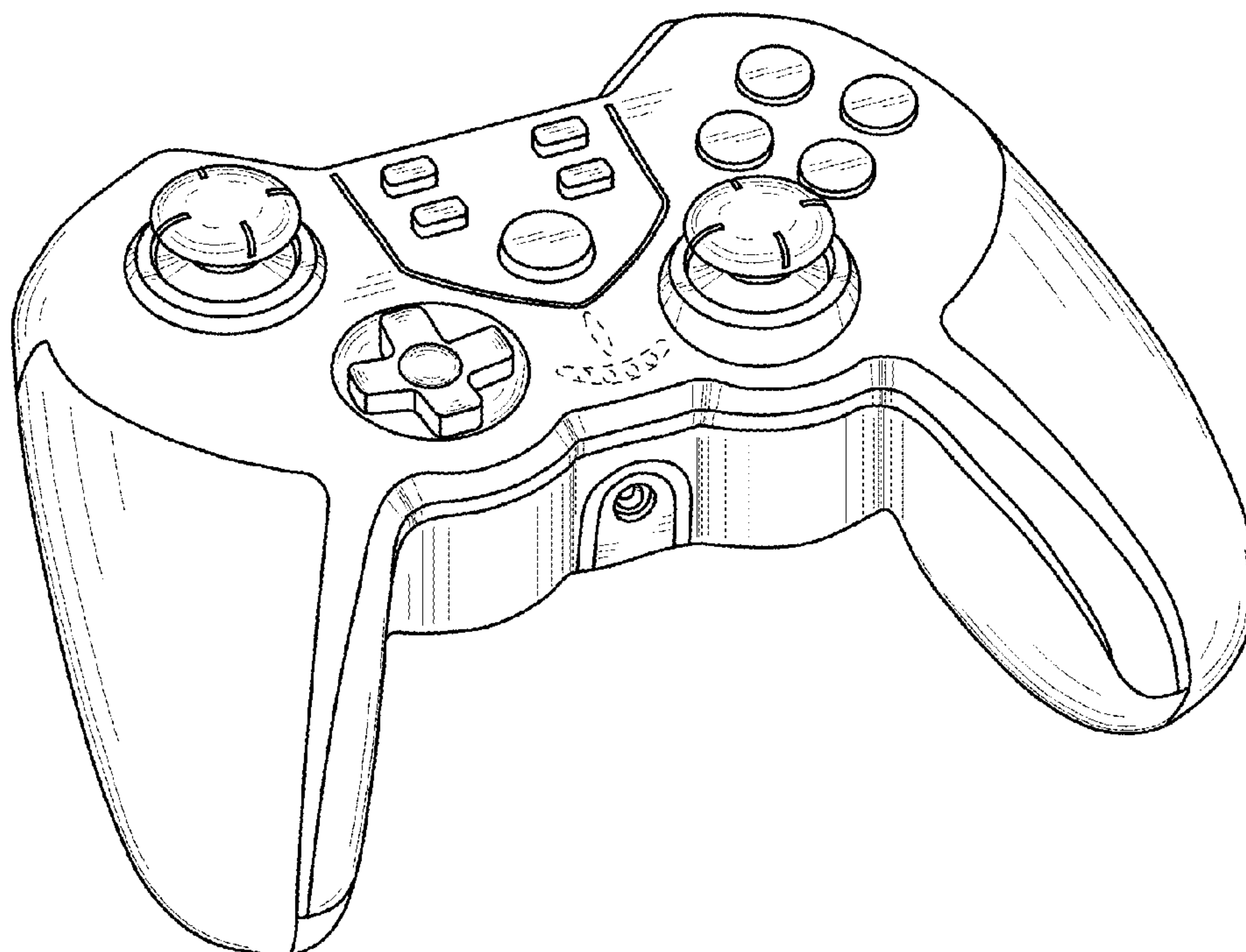
The broken lines depict portions of the game controller in which the design is embodied that form no part of the claimed design.

(56) **References Cited**

U.S. PATENT DOCUMENTS

D707,758 S *	6/2014	Norman	D21/566
D712,408 S *	9/2014	Sumii	D14/401
D736,762 S *	8/2015	Lovoi	D14/333
D736,860 S *	8/2015	Lovoi	D21/333
D768,786 S *	10/2016	Seflic	D21/333

1 Claim, 8 Drawing Sheets



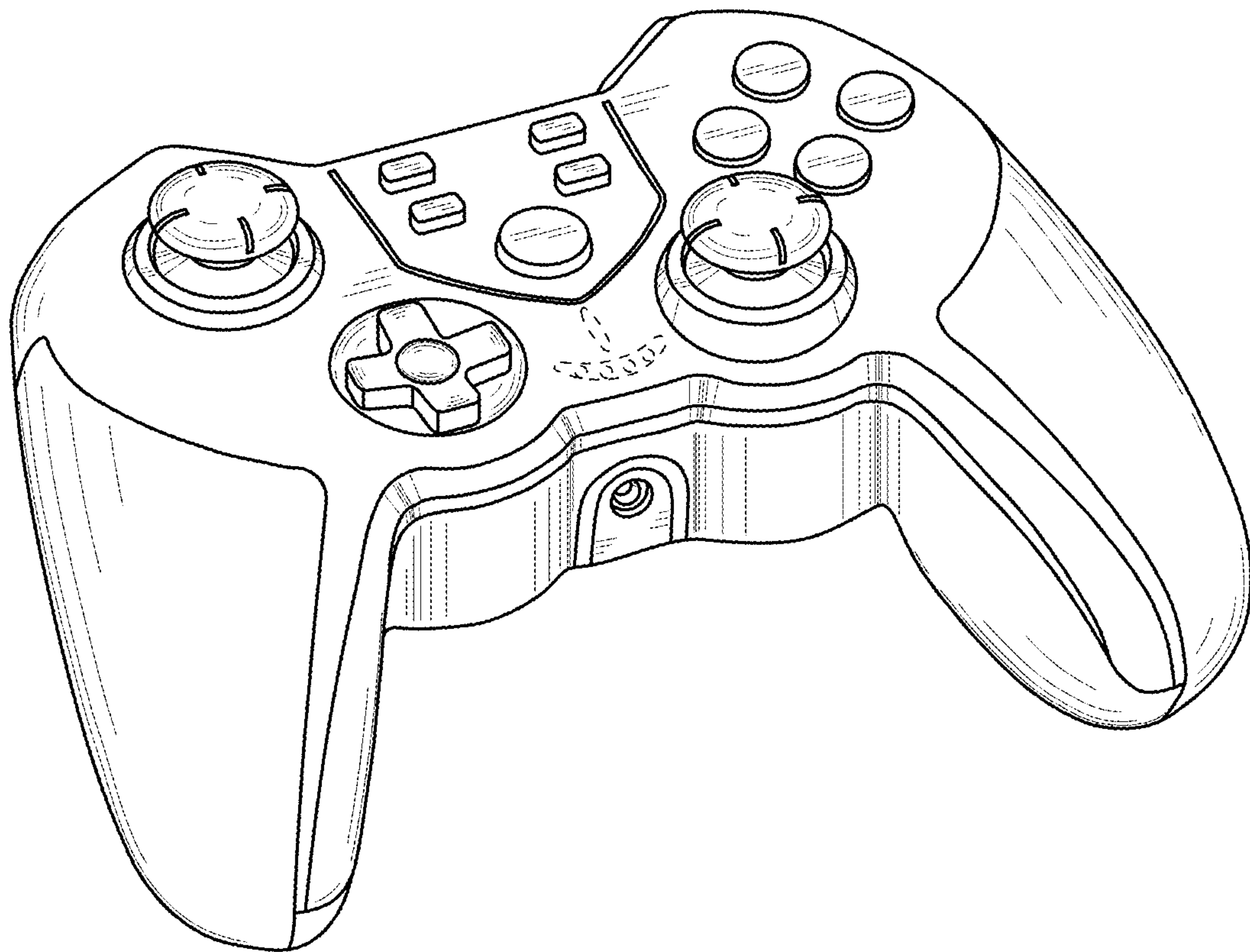


FIG. 1

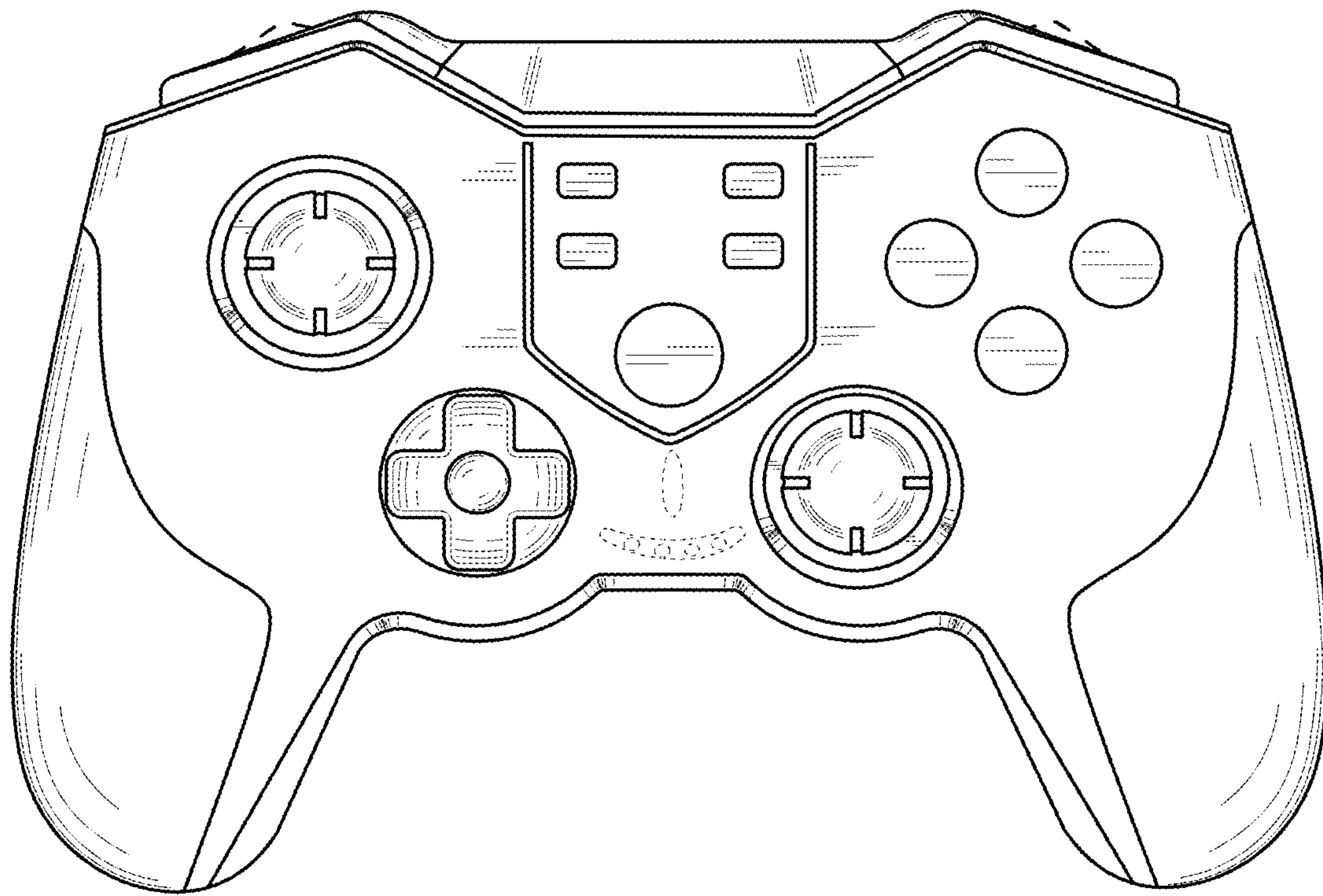


FIG. 2

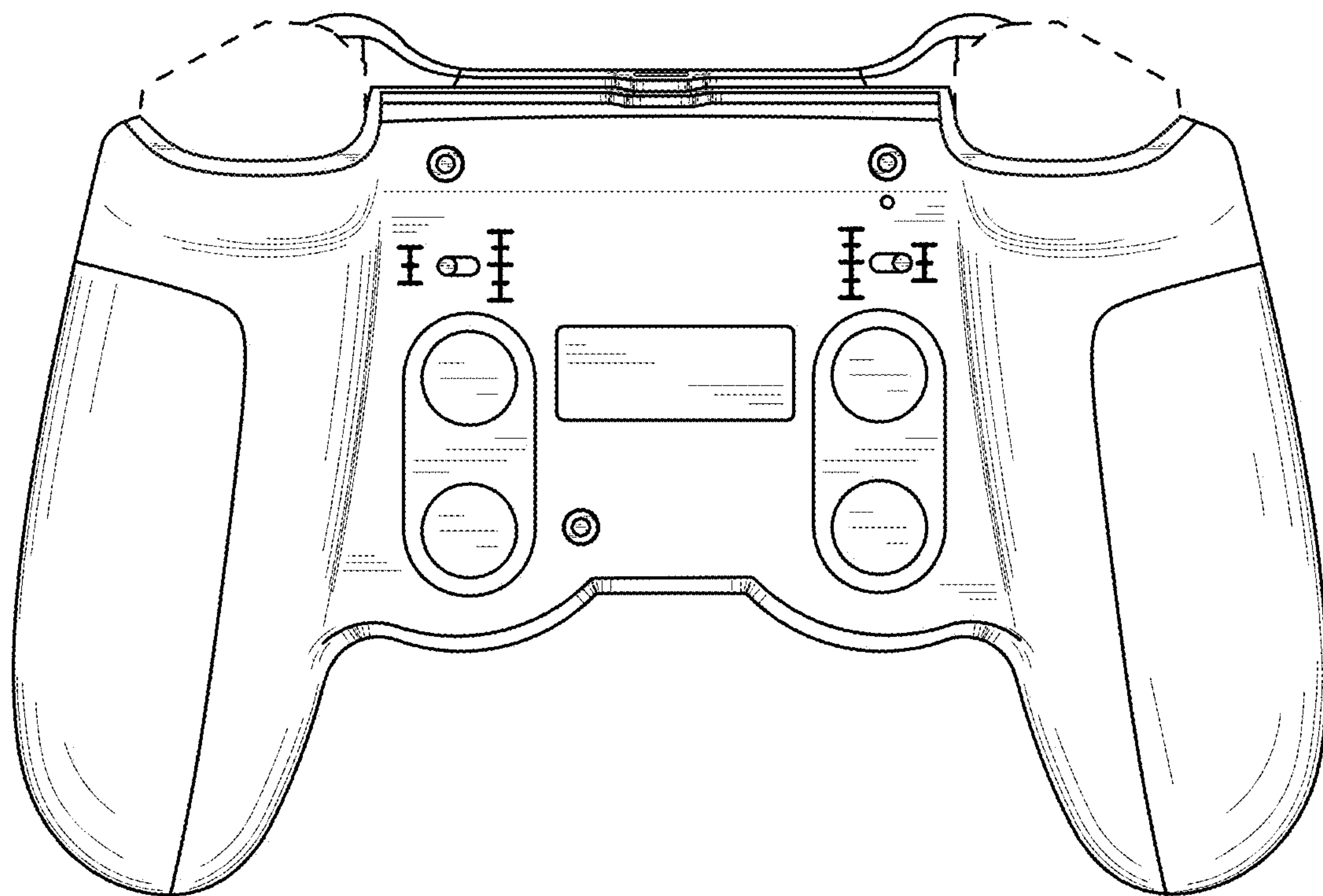


FIG. 3

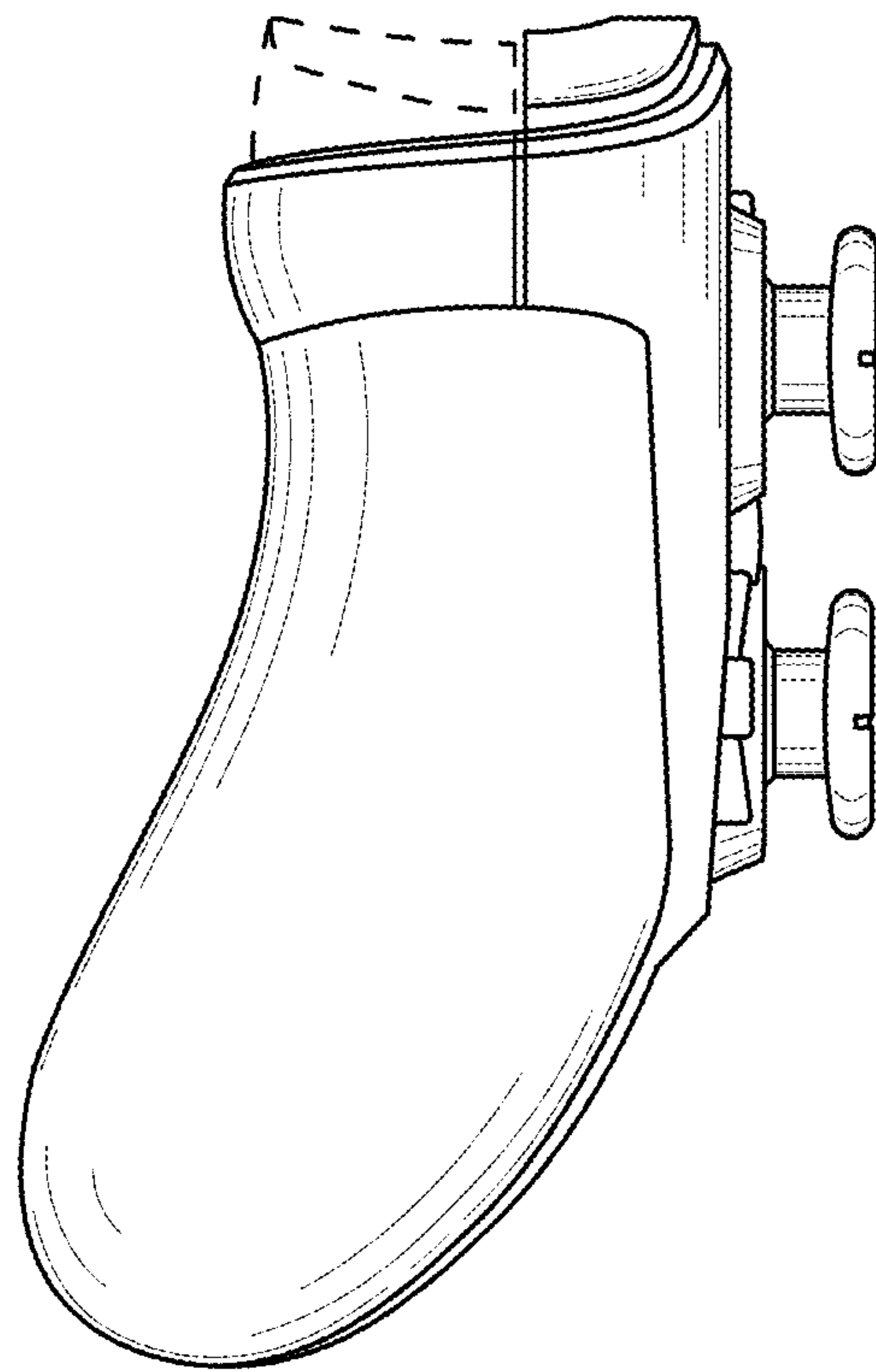


FIG. 4

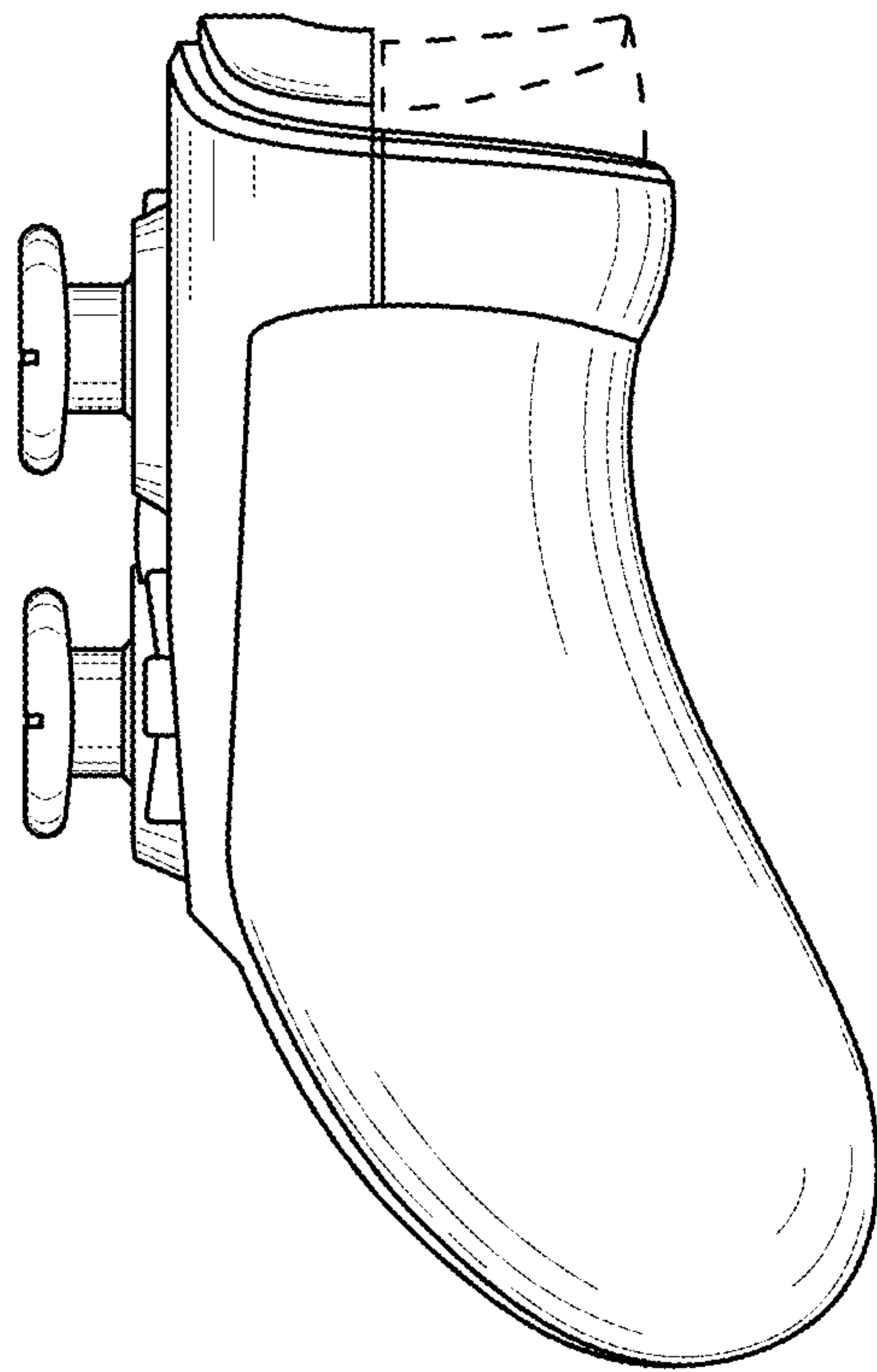


FIG. 5

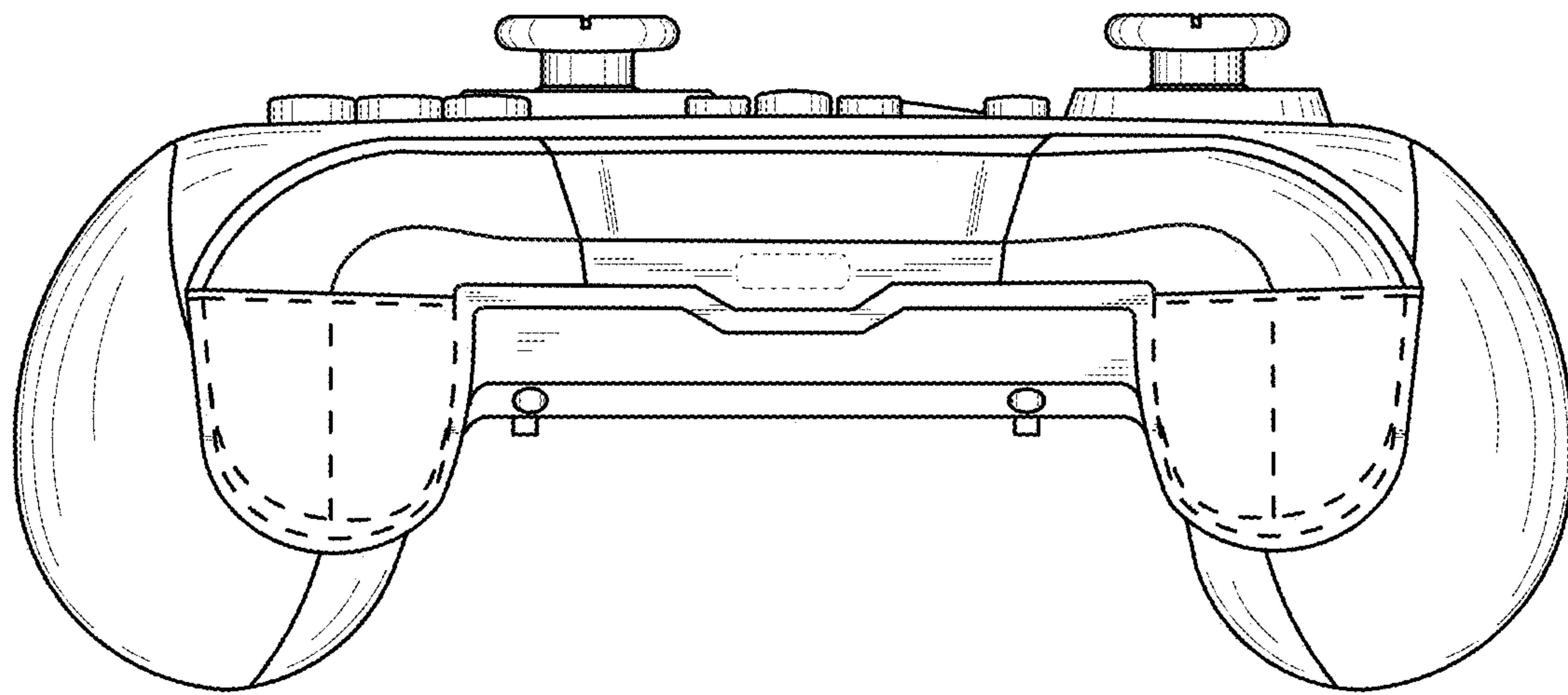


FIG. 6

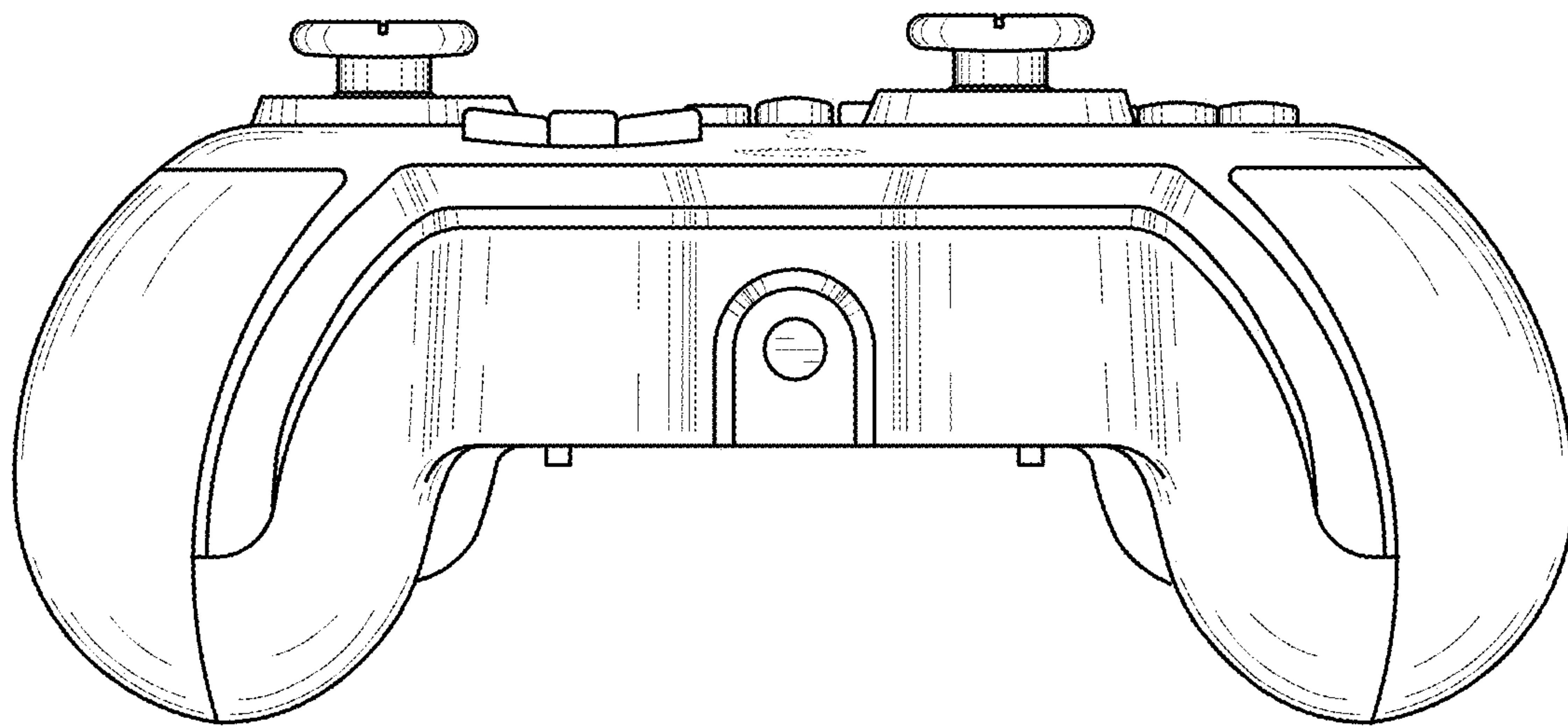


FIG. 7

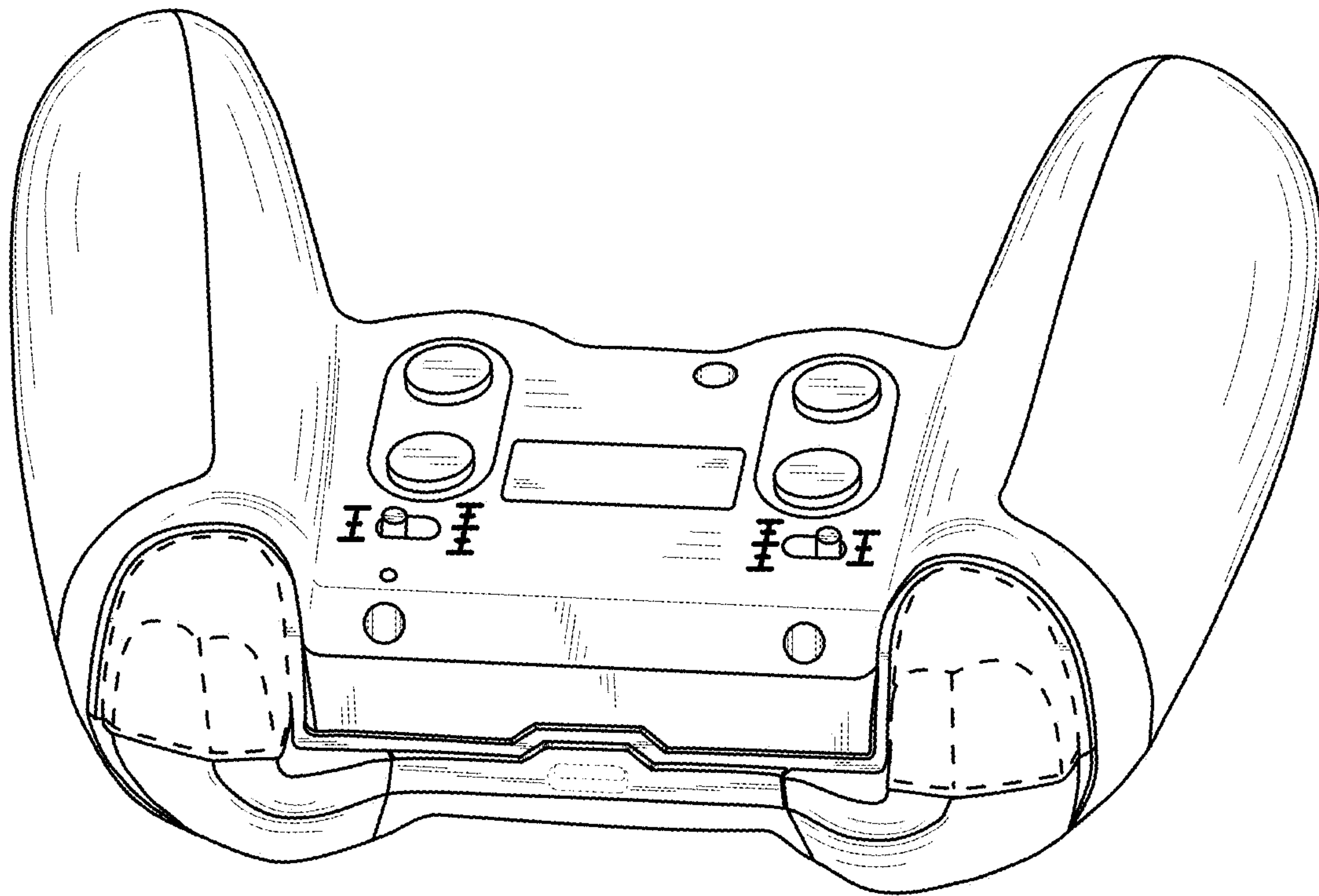


FIG. 8