



US00D958887S

(12) **United States Design Patent**
Astete

(10) **Patent No.:** **US D958,887 S**
(45) **Date of Patent:** **** Jul. 26, 2022**

- (54) **FINGER-BALL CHALLENGER TOY**
- (71) Applicant: **David Gustavo Astete**, Alexandria, VA (US)
- (72) Inventor: **David Gustavo Astete**, Alexandria, VA (US)
- (**) Term: **15 Years**
- (21) Appl. No.: **29/750,049**
- (22) Filed: **Sep. 10, 2020**

D266,860 S *	11/1982	Nelson	D21/717
D306,058 S *	2/1990	Blake	D21/721
5,163,680 A *	11/1992	Amron	A63B 63/083
				273/371
5,368,306 A *	11/1994	Madsen	A63B 67/083
				273/412
D388,850 S *	1/1998	Ranger	D21/759
D403,483 S *	12/1998	Bernatz	D32/35
D429,301 S *	8/2000	Ranger	D21/759
D577,258 S *	9/2008	Mansfield	D7/509
7,641,199 B1 *	1/2010	Clarke	A63B 67/10
				273/330
D633,948 S *	3/2011	Roach	D21/303
D729,320 S *	5/2015	Parker	D21/303
D761,622 S *	7/2016	Kushner	D21/300

(Continued)

Related U.S. Application Data

- (63) Continuation-in-part of application No. 29/749,875, filed on Sep. 9, 2020, and a continuation-in-part of application No. 29/749,873, filed on Sep. 9, 2020.

Primary Examiner — Mehri F Bajoul

- (51) **LOC (13) Cl.** **21-01**
- (52) **U.S. Cl.**
USPC **D21/303**

(57) **CLAIM**

The ornamental design for a finger-ball challenger toy, as shown and described.

- (58) **Field of Classification Search**
USPC D21/300, 301, 302, 303, 304, 305, 309, D21/310, 312, 313, 314, 315, 699, 701, D21/702, 703, 704, 705, 706, 707, 708, D21/759, 781, 789
CPC A63B 65/00; A63B 1/00; A63B 67/00; A63B 63/00; A63B 63/04; A63B 63/045; A63B 63/08; A63B 67/06; A63B 47/001; A63B 69/0086; A63B 2208/0204; A63B 67/083; A63B 67/10; A63B 67/22; A63F 1/067; A47B 25/00
- See application file for complete search history.

DESCRIPTION

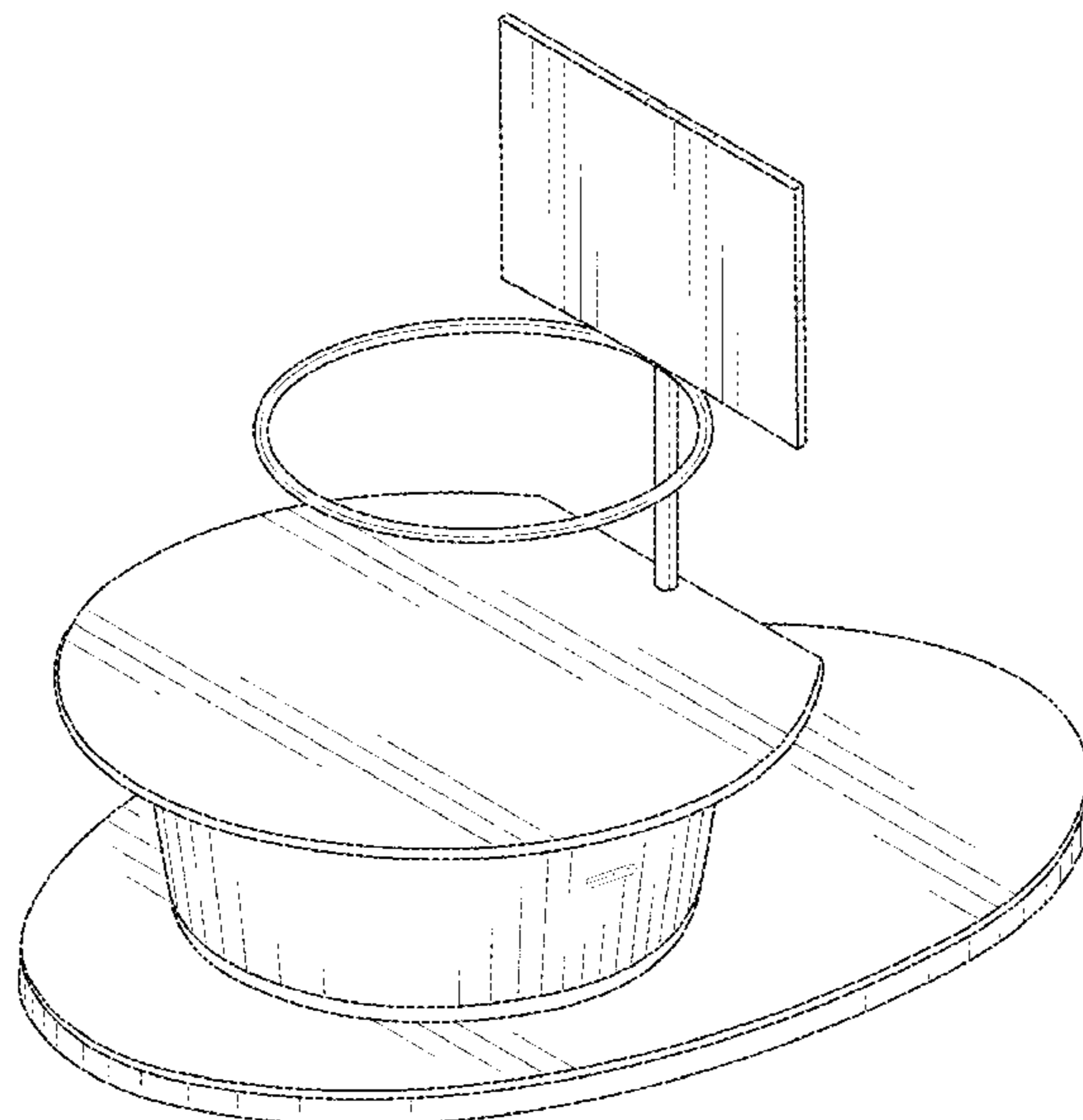
FIG. 1 is a top-front-left perspective view of a finger-ball challenger toy showing my new design;
 FIG. 2 is a bottom-rear-right perspective view thereof;
 FIG. 3 is a front elevated view thereof;
 FIG. 4 is a rear elevated view thereof;
 FIG. 5 is a top plan view thereof;
 FIG. 6 is a bottom plan view thereof;
 FIG. 7 is a right elevated view thereof;
 FIG. 8 is a left elevated view thereof;
 FIG. 9 is a top-front-left perspective view thereof showing the claimed design in condition of use; and,
 FIG. 10 is a top perspective view thereof.
 The broken lines showing of connectors, in FIGS. 1-2 and 7-10, a tethered ball, a finger fastener and a field signage, in FIGS. 9-10, are included for the purpose of showing environmental structure and form no part of the claimed design.

(56) **References Cited**

U.S. PATENT DOCUMENTS

- 1,339,846 A * 5/1920 Downey A63F 9/0204
273/389
- 3,398,955 A * 8/1968 Rakestraw A63B 69/0079
273/400

1 Claim, 10 Drawing Sheets



(56)

References Cited

U.S. PATENT DOCUMENTS

D804,900	S	*	12/2017	Choe	D7/509
D809,607	S	*	2/2018	Digiacomio	D21/333
D812,162	S	*	3/2018	Hassey	D21/759
D856,430	S	*	8/2019	Cangi	D21/303
D873,347	S	*	1/2020	Mauro	D21/302
D878,504	S	*	3/2020	Parham	D21/698
D879,226	S	*	3/2020	Parham	D21/698
D892,228	S	*	8/2020	Waxkirsh	D21/309
D903,025	S	*	11/2020	Davis	D21/789
D936,775	S	*	11/2021	Yevchak	D21/789
2011/0121512	A1	*	5/2011	Walker, Jr.	A63B 67/10 273/333

* cited by examiner

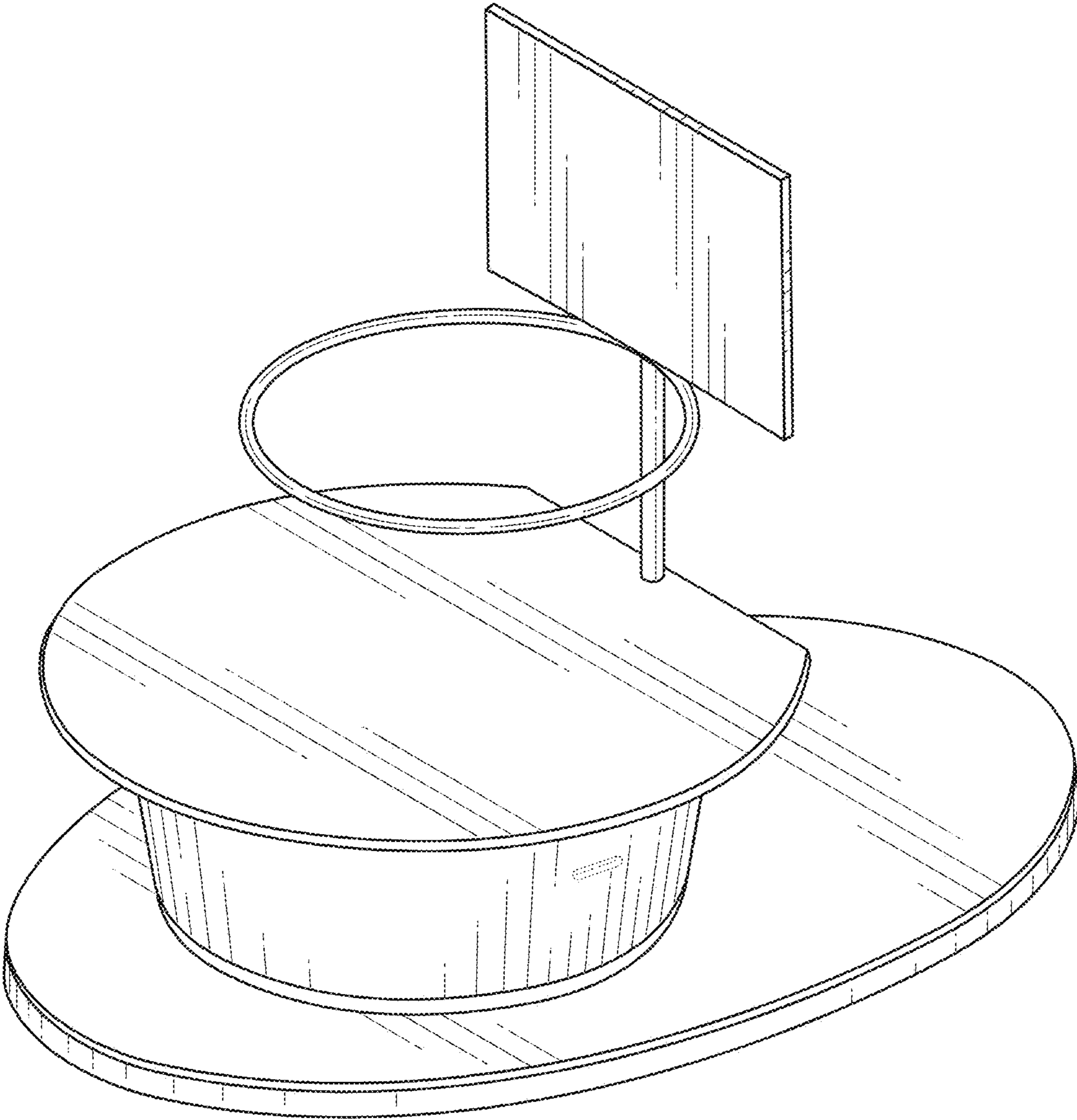


FIG. 1

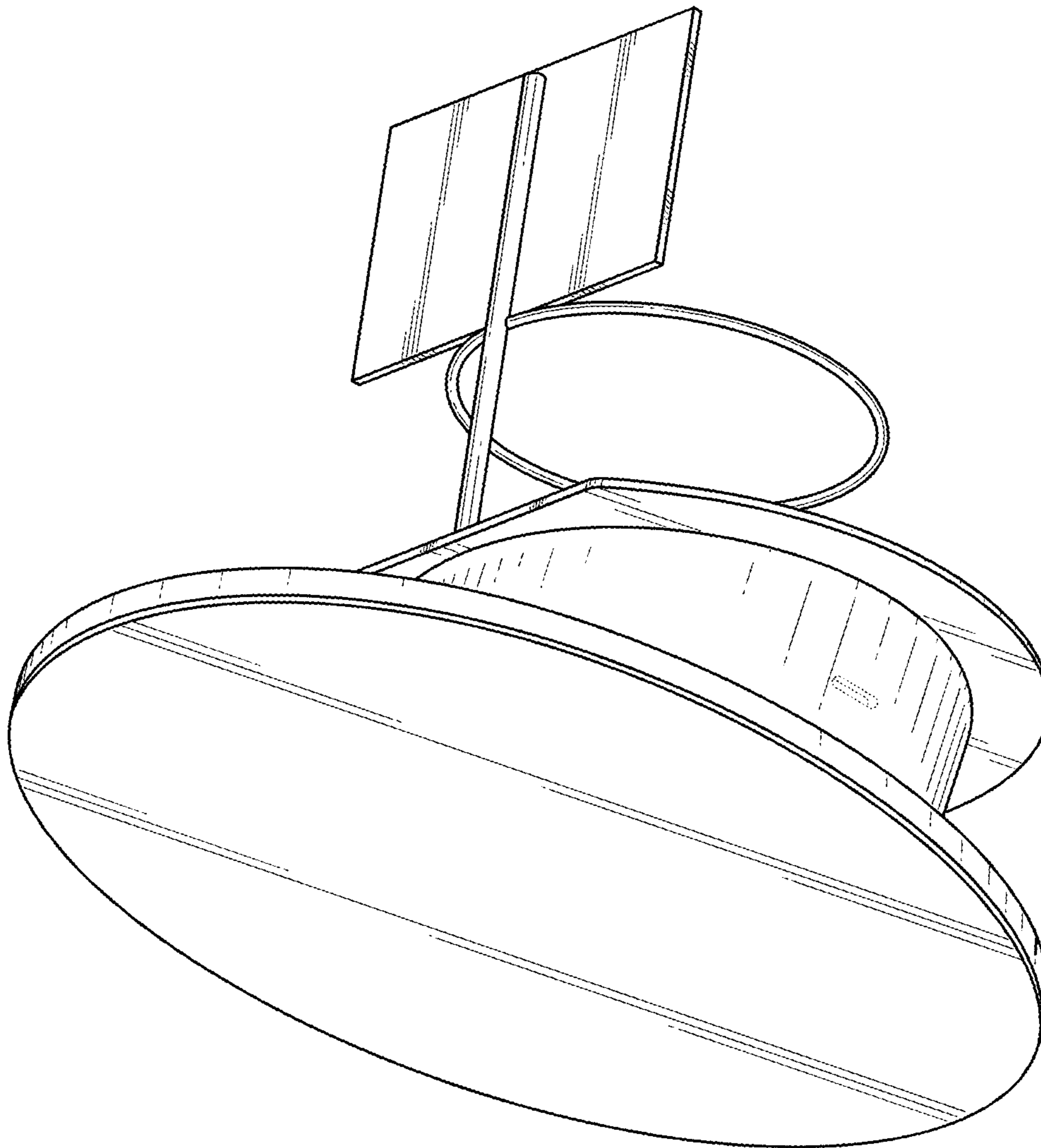


FIG. 2

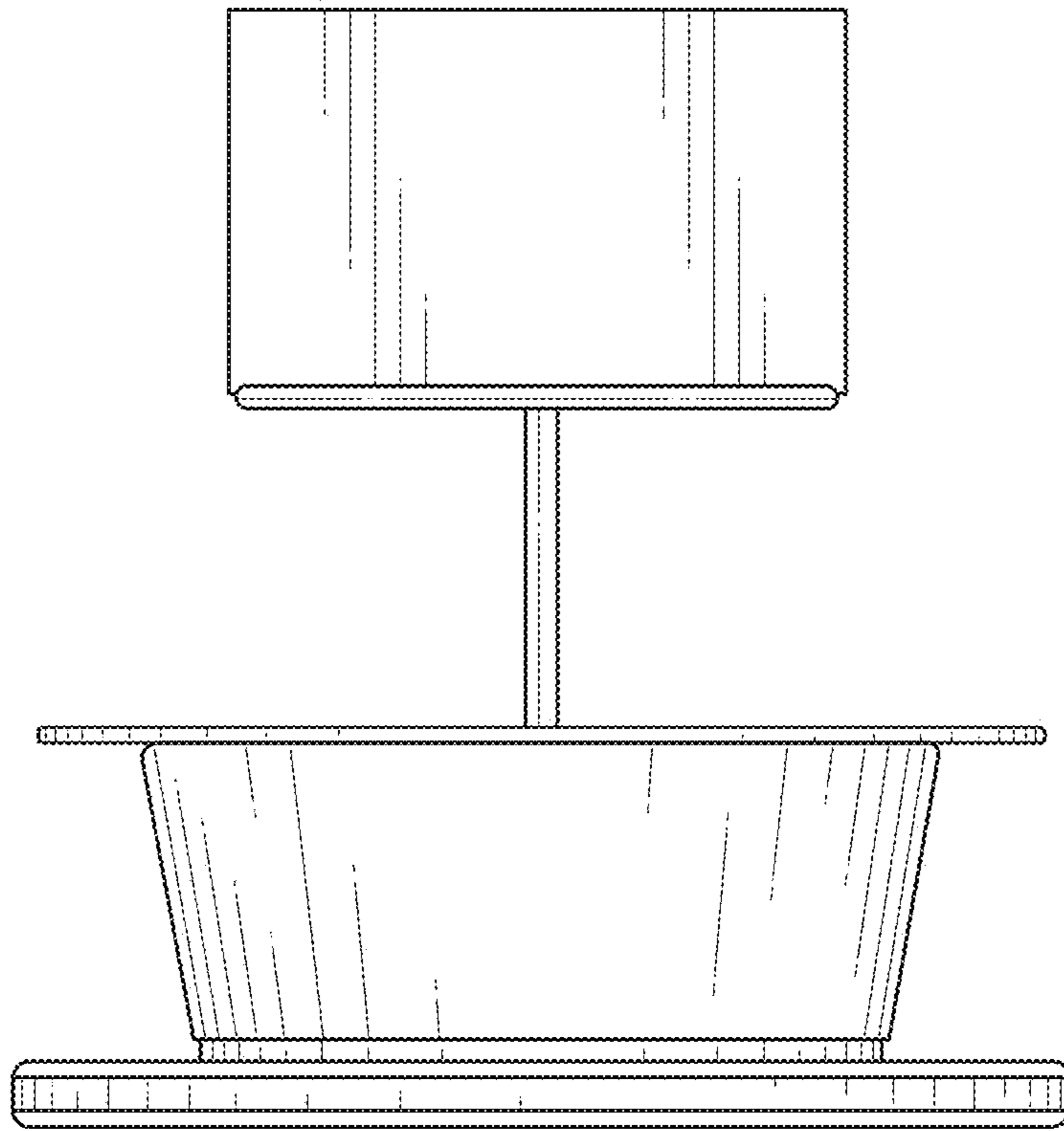


FIG. 3

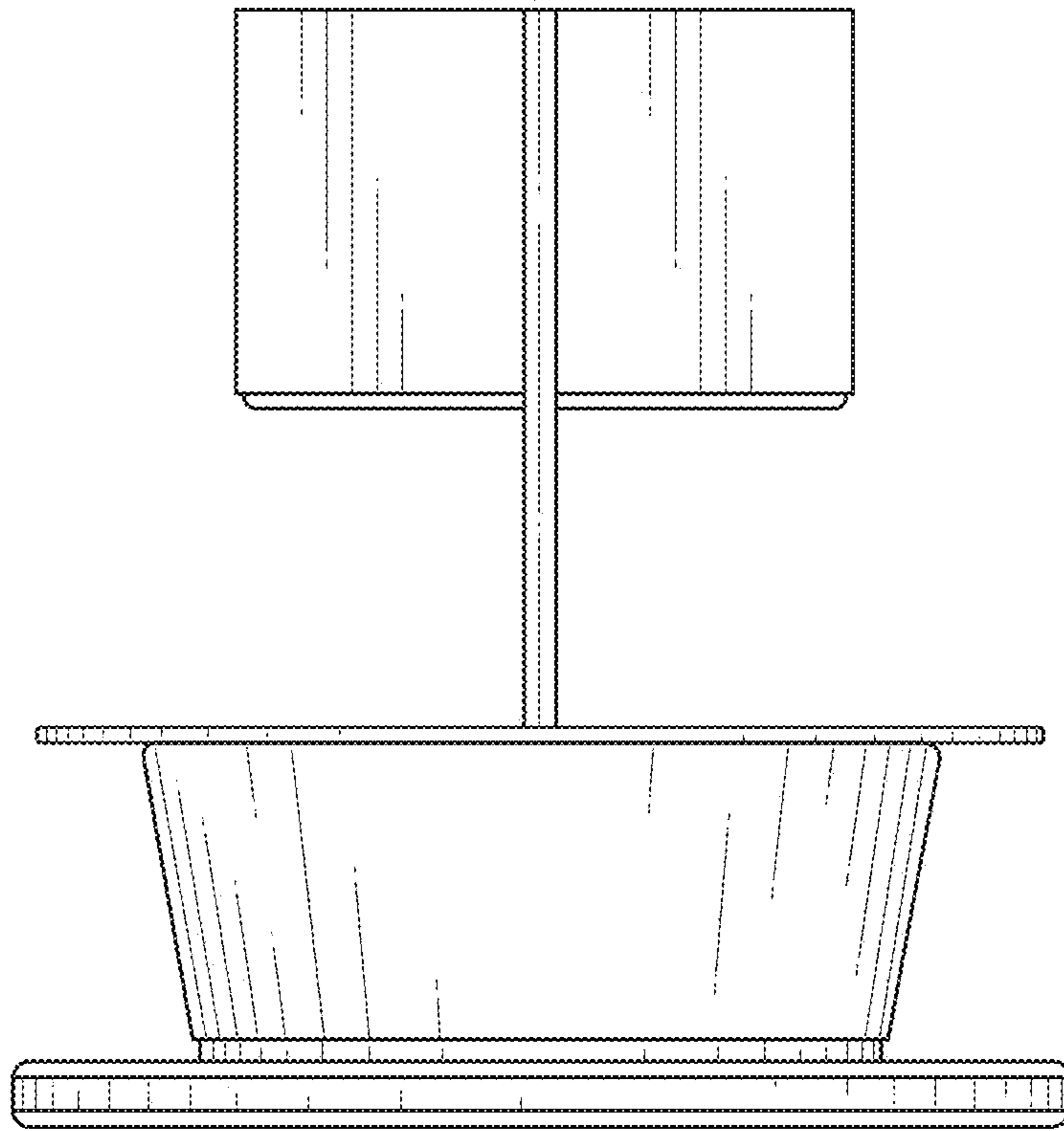


FIG. 4

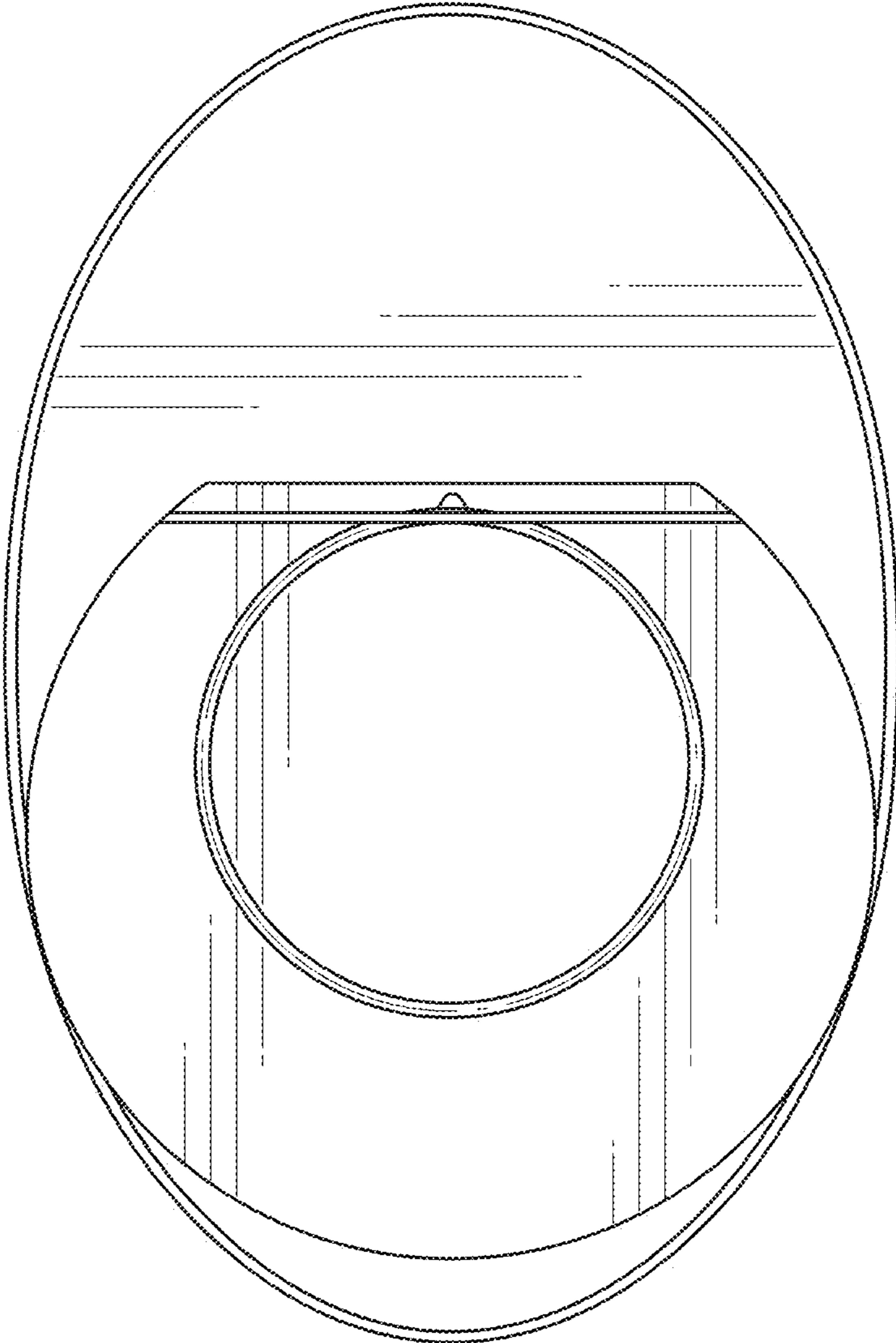


FIG. 5

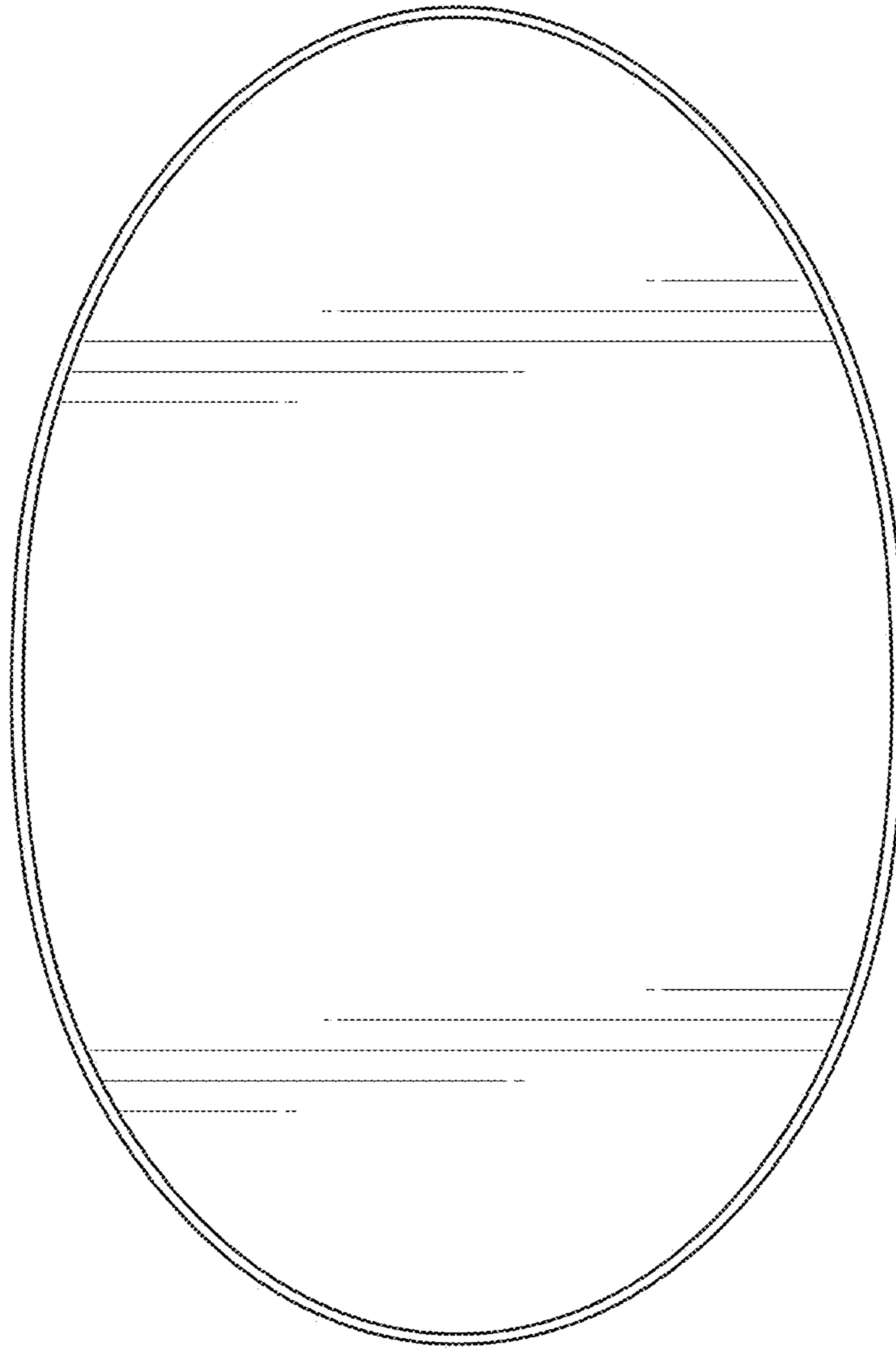


FIG. 6

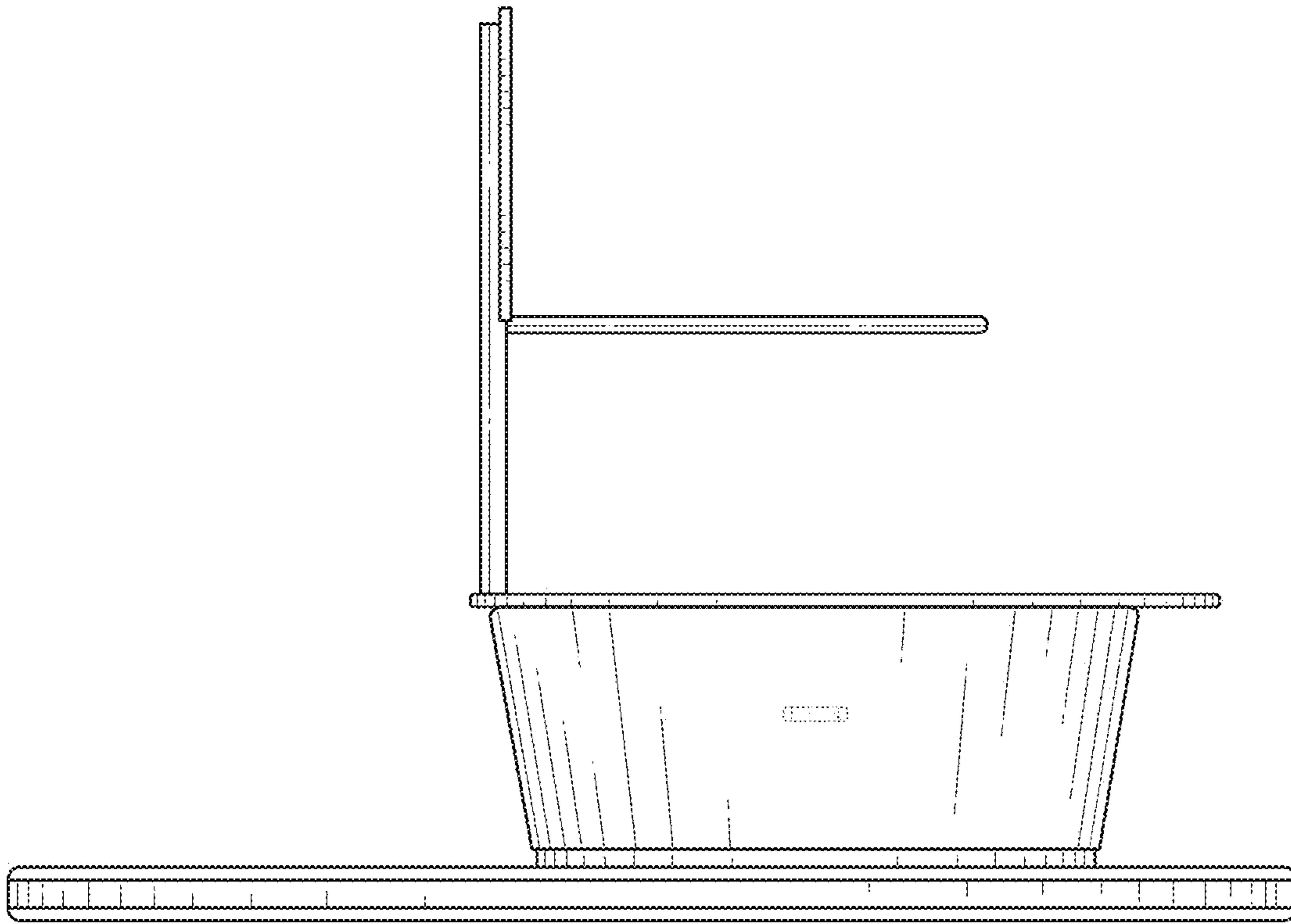


FIG. 7

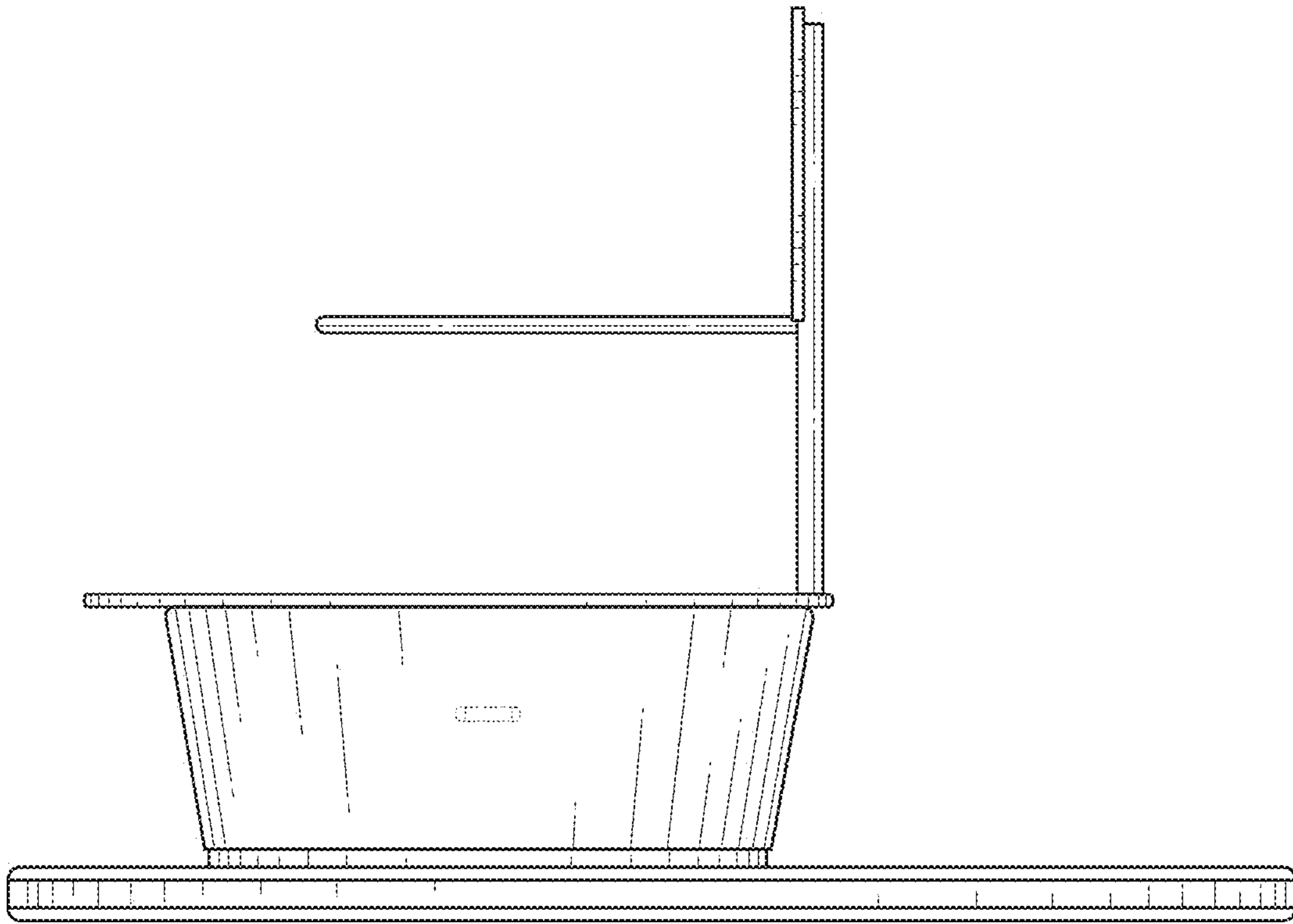


FIG. 8

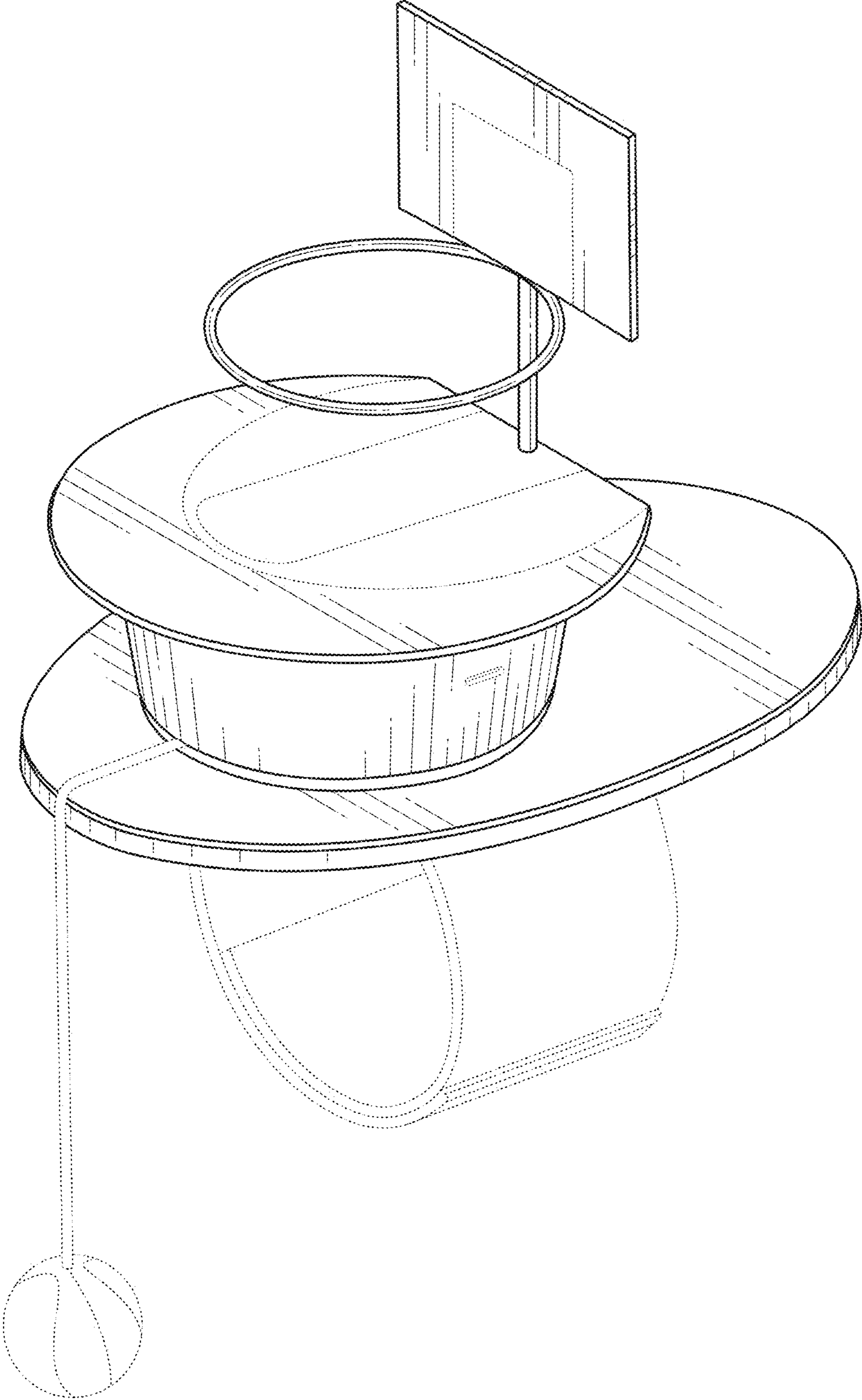


FIG. 9

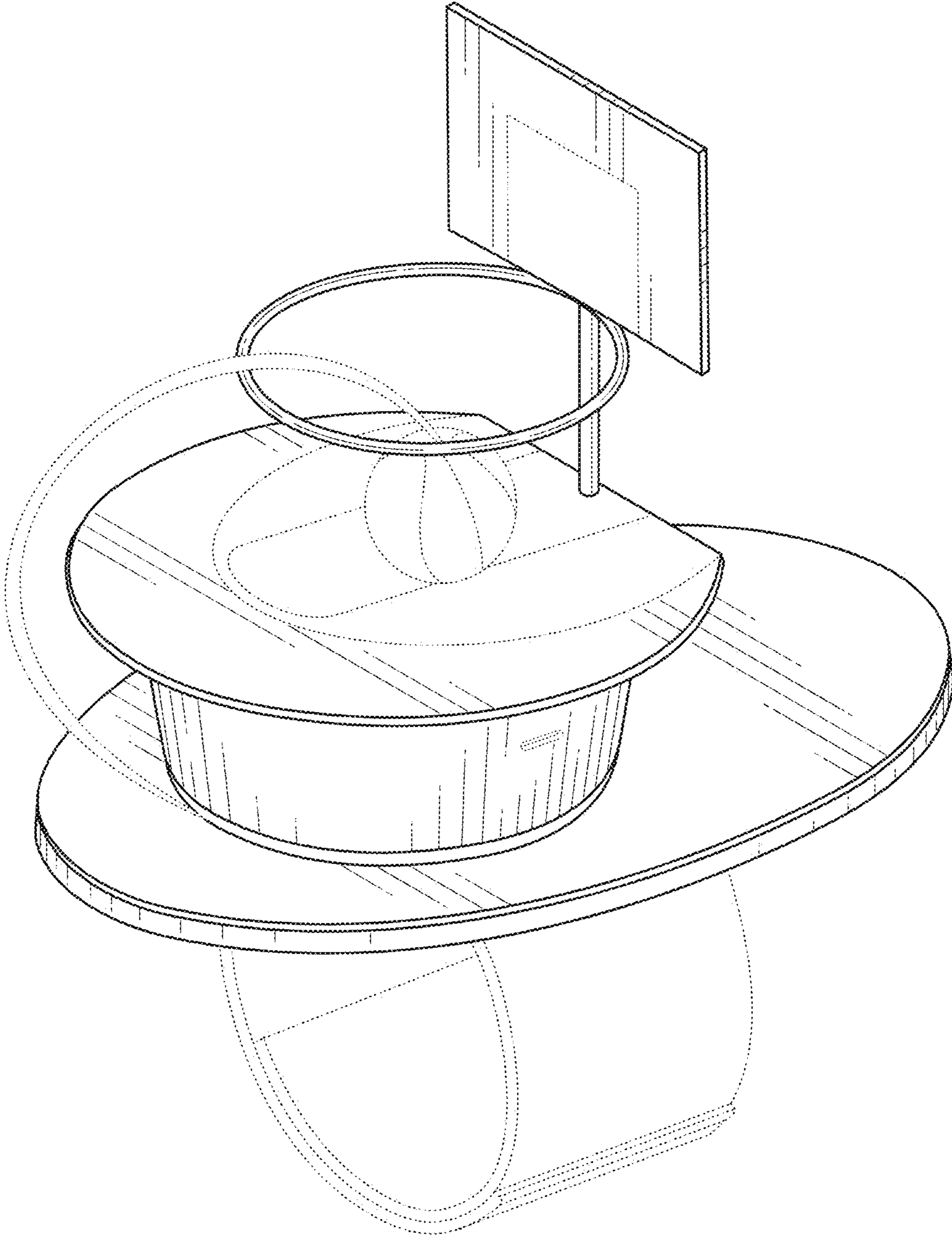


FIG. 10