



US00D958886S

(12) **United States Design Patent**
Zhou

(10) **Patent No.:** **US D958,886 S**
(45) **Date of Patent:** **** Jul. 26, 2022**

(54) **TOSS GAME**

(71) Applicant: **Zugen Zhou, Ji'An (CN)**

(72) Inventor: **Zugen Zhou, Ji'An (CN)**

(**) Term: **15 Years**

(21) Appl. No.: **29/757,696**

(22) Filed: **Nov. 9, 2020**

(51) **LOC (13) Cl.** **21-01**

(52) **U.S. Cl.**
USPC **D21/302**

(58) **Field of Classification Search**
USPC D21/300, 301, 302, 303, 304, 305, 309,
D21/310, 312, 313, 314, 315, 699, 701,
D21/702, 703, 704, 705, 706, 707, 708,
D21/759, 781, 789
CPC A63B 65/00; A63B 1/00; A63B 67/00;
A63B 63/00; A63B 63/04; A63B 63/045;
A63B 63/08; A63B 67/06; A63F 1/067;
A47B 25/00
See application file for complete search history.

(56) **References Cited**

U.S. PATENT DOCUMENTS

D478,938 S * 8/2003 Vande Hey D21/699
D509,872 S * 9/2005 Alberti D21/780
D635,197 S * 3/2011 Pryor D21/303

D706,354 S * 6/2014 Montenare D21/303
D720,016 S * 12/2014 McDowell D21/302
D788,235 S * 5/2017 Lantz D21/780
D827,031 S * 8/2018 Valladares D21/303
D867,457 S * 11/2019 Sweeney D21/302
D868,916 S * 12/2019 Engler D21/303
D872,181 S * 1/2020 Engler D21/302
D872,182 S * 1/2020 Engler D21/305
D877,256 S * 3/2020 Engler D21/303
D900,933 S * 11/2020 Tanoury D21/305
D910,757 S * 2/2021 Green D21/303
D933,132 S * 10/2021 Engler D21/305

* cited by examiner

Primary Examiner — Sandra Snapp
Assistant Examiner — Mehri Bajoul

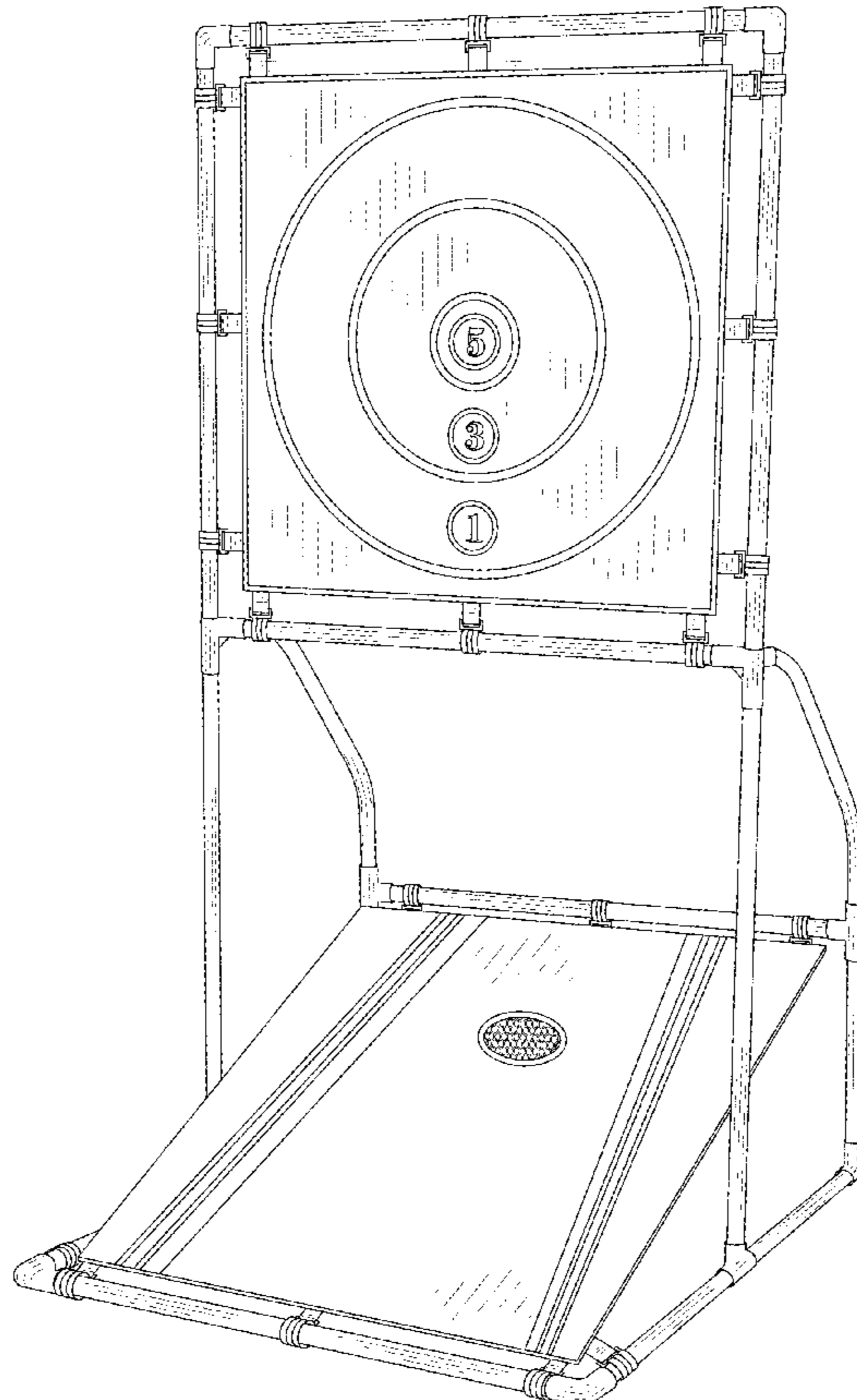
(57) **CLAIM**

The ornamental design for a toss game, as shown and described.

DESCRIPTION

FIG. 1 is a perspective view of a toss game showing my new design;
FIG. 2 is a front view thereof;
FIG. 3 is a rear view thereof;
FIG. 4 is a left side view thereof;
FIG. 5 is a right side view thereof;
FIG. 6 is a top plan view thereof; and,
FIG. 7 is a bottom plan view thereof.

1 Claim, 7 Drawing Sheets



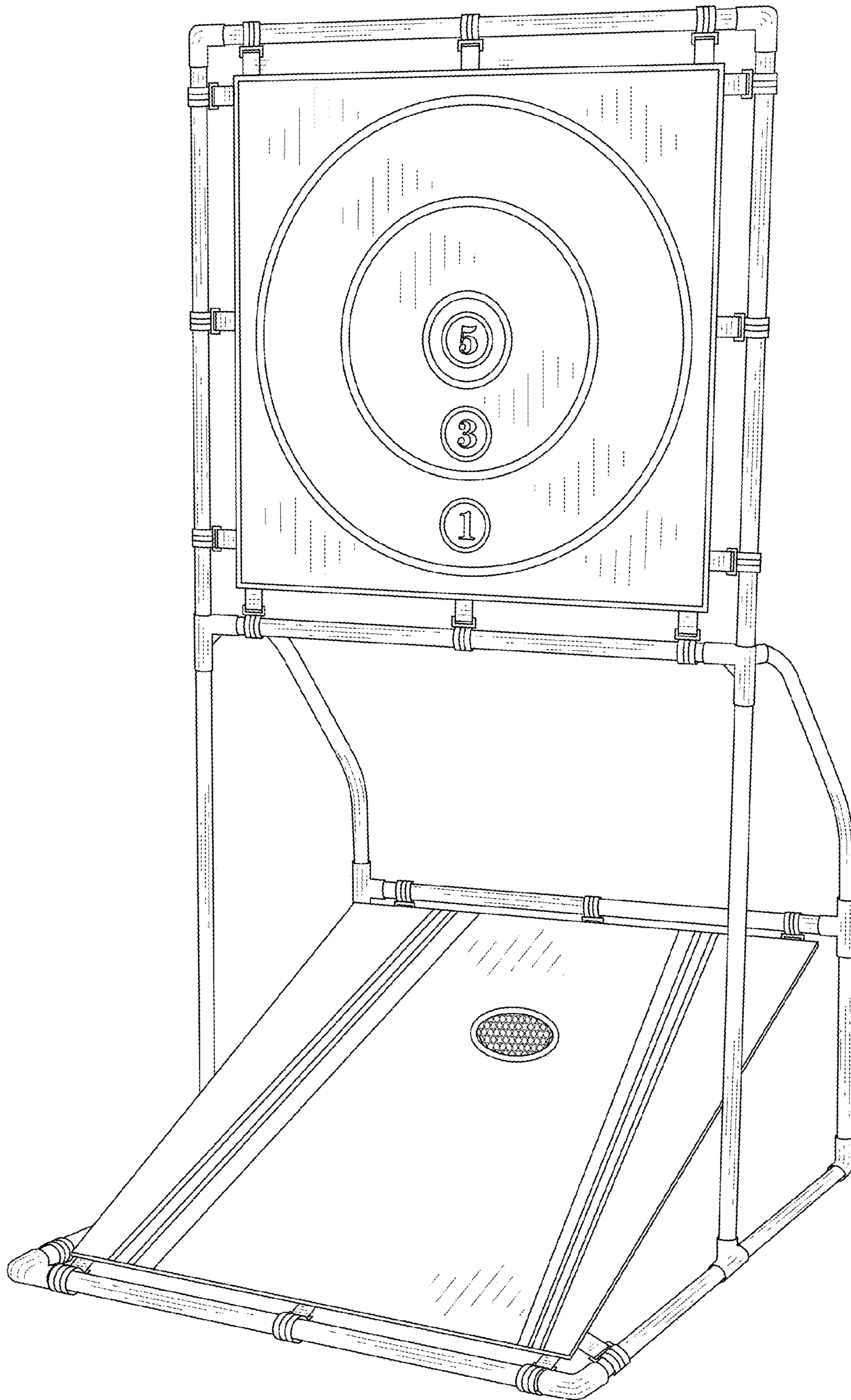


FIG. 1

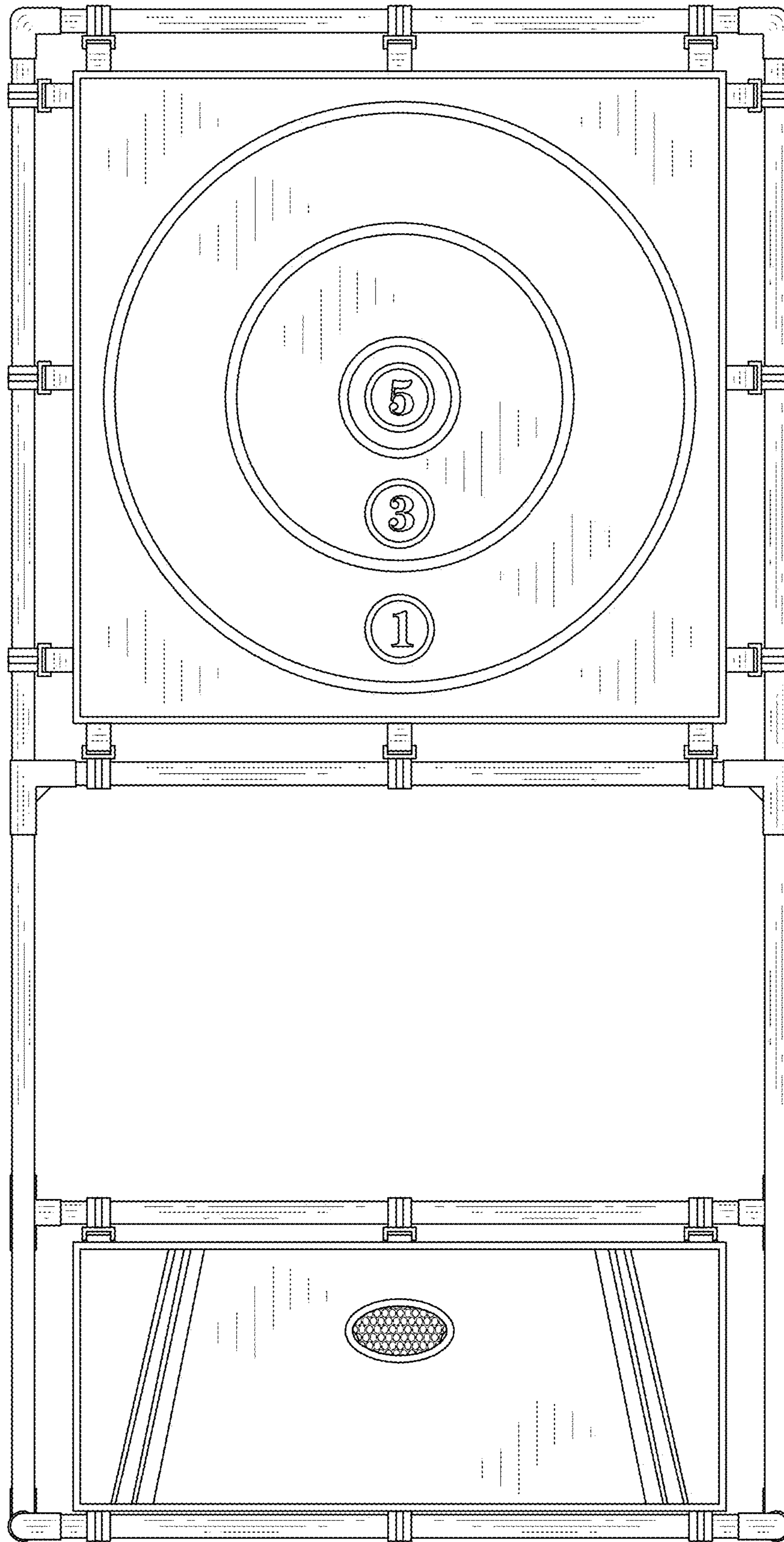


FIG.2

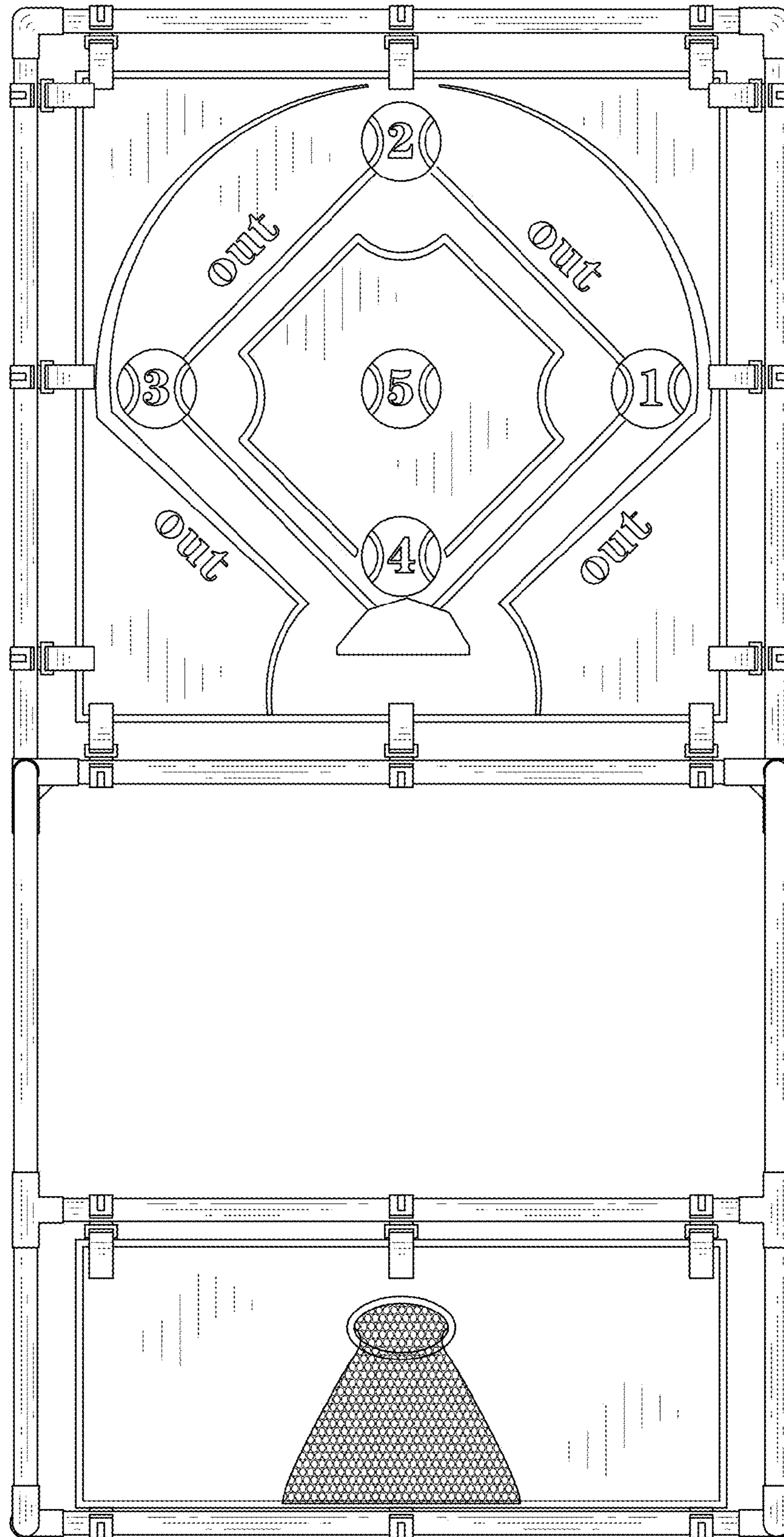


FIG.3

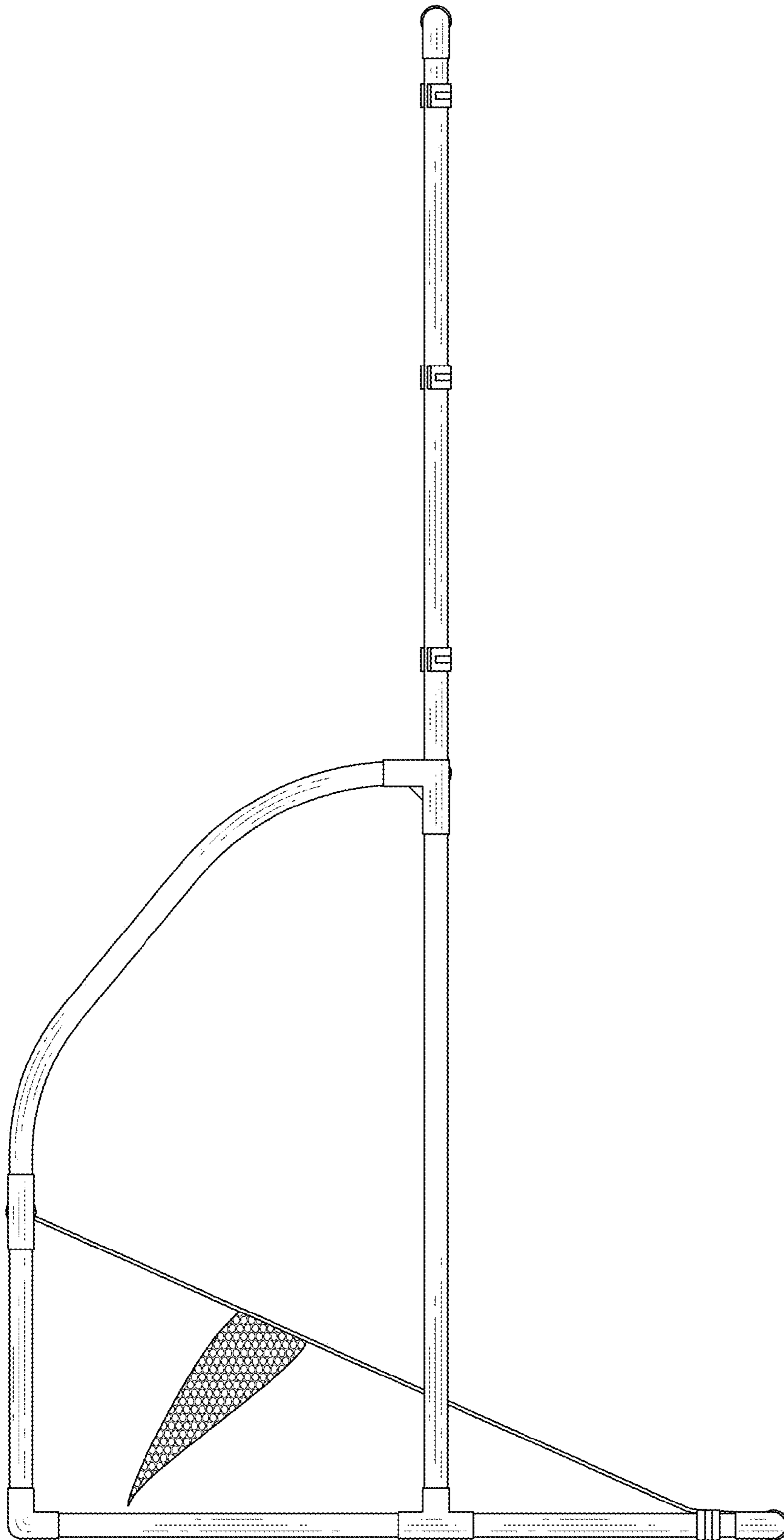


FIG.4

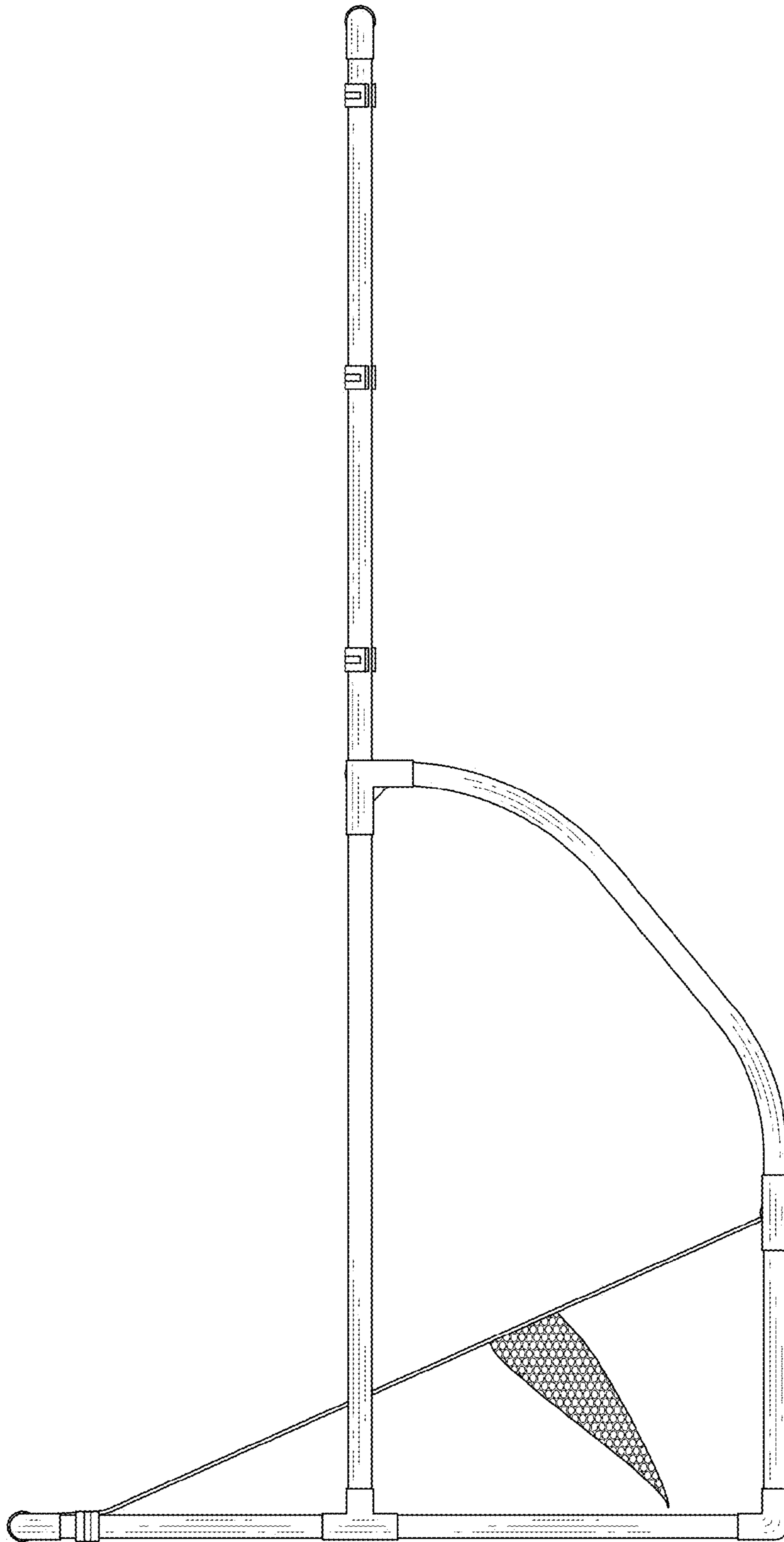


FIG.5

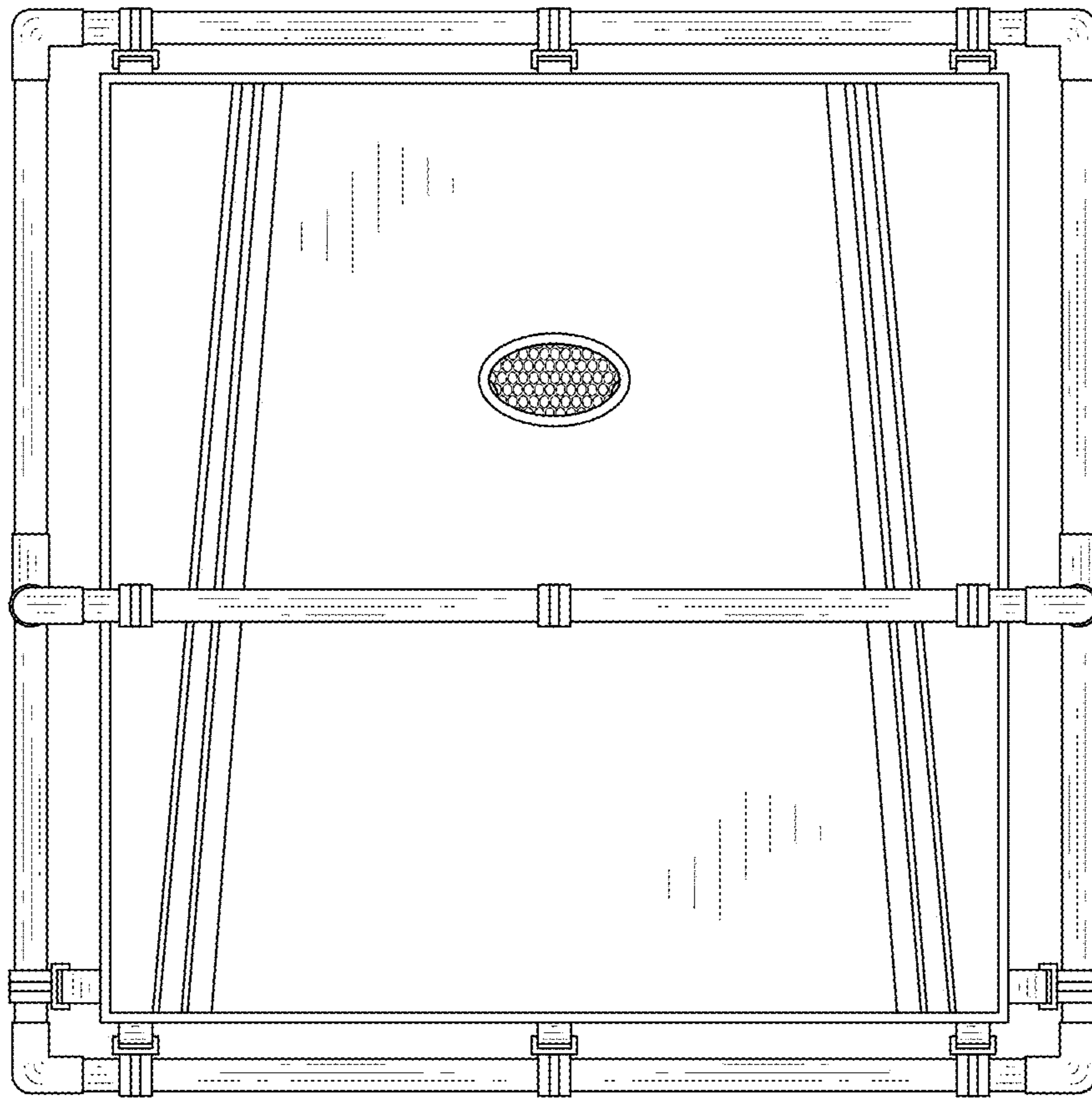


FIG.6

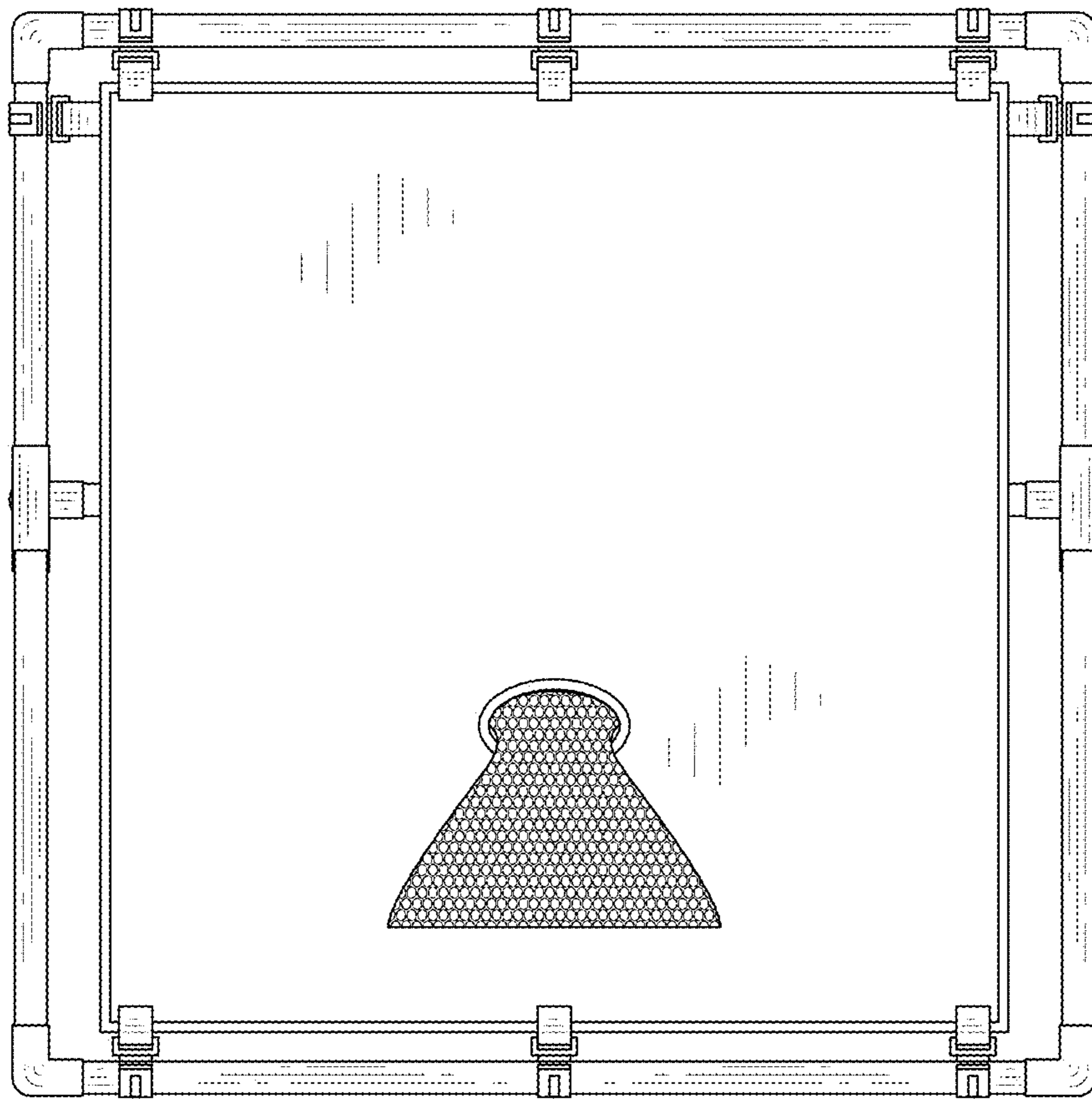


FIG.7