



US00D958885S

(12) **United States Design Patent**  
**Guo et al.**

(10) **Patent No.:** **US D958,885 S**  
(45) **Date of Patent:** **\*\* Jul. 26, 2022**

(54) **SIGNAGE IN A BUILDING ENVIRONMENT**

FOREIGN PATENT DOCUMENTS

(71) Applicant: **Otis Elevator Company**, Farmington, CT (US)

CN 303182137 4/2015  
EM 0058401620001 2/2019

(Continued)

(72) Inventors: **Xiaofei Guo**, Shanghai (CN); **Robert Costabile**, Hamden, CT (US); **Danny Seheon Lee**, Gunpo (KR)

OTHER PUBLICATIONS

Otis Fact-Sheet Signage-Dynamic [https://files.otis.com/otis/en/us/contentimages/Fact-Sheet%20Signage-Dynamic\\_2014-02-17.pdf](https://files.otis.com/otis/en/us/contentimages/Fact-Sheet%20Signage-Dynamic_2014-02-17.pdf) Feb. 17, 2014 (Year: 2014); pp. 1-2.

(73) Assignee: **OTIS ELEVATOR COMPANY**, Farmington, CT (US)

*Primary Examiner* — Leanne Was-Englehart

(\*\*) Term: **15 Years**

(74) *Attorney, Agent, or Firm* — Cantor Colburn LLP

(21) Appl. No.: **29/753,873**

(57) **CLAIM**

(22) Filed: **Oct. 2, 2020**

We claim, the ornamental design for signage in a building environment, as shown and described.

**Related U.S. Application Data**

**DESCRIPTION**

(62) Division of application No. 29/656,067, filed on Jul. 10, 2018, now Pat. No. Des. 899,522.

(30) **Foreign Application Priority Data**

Jun. 1, 2018 (CN) ..... 201830270271.8

(51) **LOC (13) Cl.** ..... **20-03**

(52) **U.S. Cl.**  
USPC ..... **D20/42; D10/108**

(58) **Field of Classification Search**  
USPC ..... D10/108; D20/10, 13–15, 18, 19, 29, D20/39–43, 99

(Continued)

(56) **References Cited**

**U.S. PATENT DOCUMENTS**

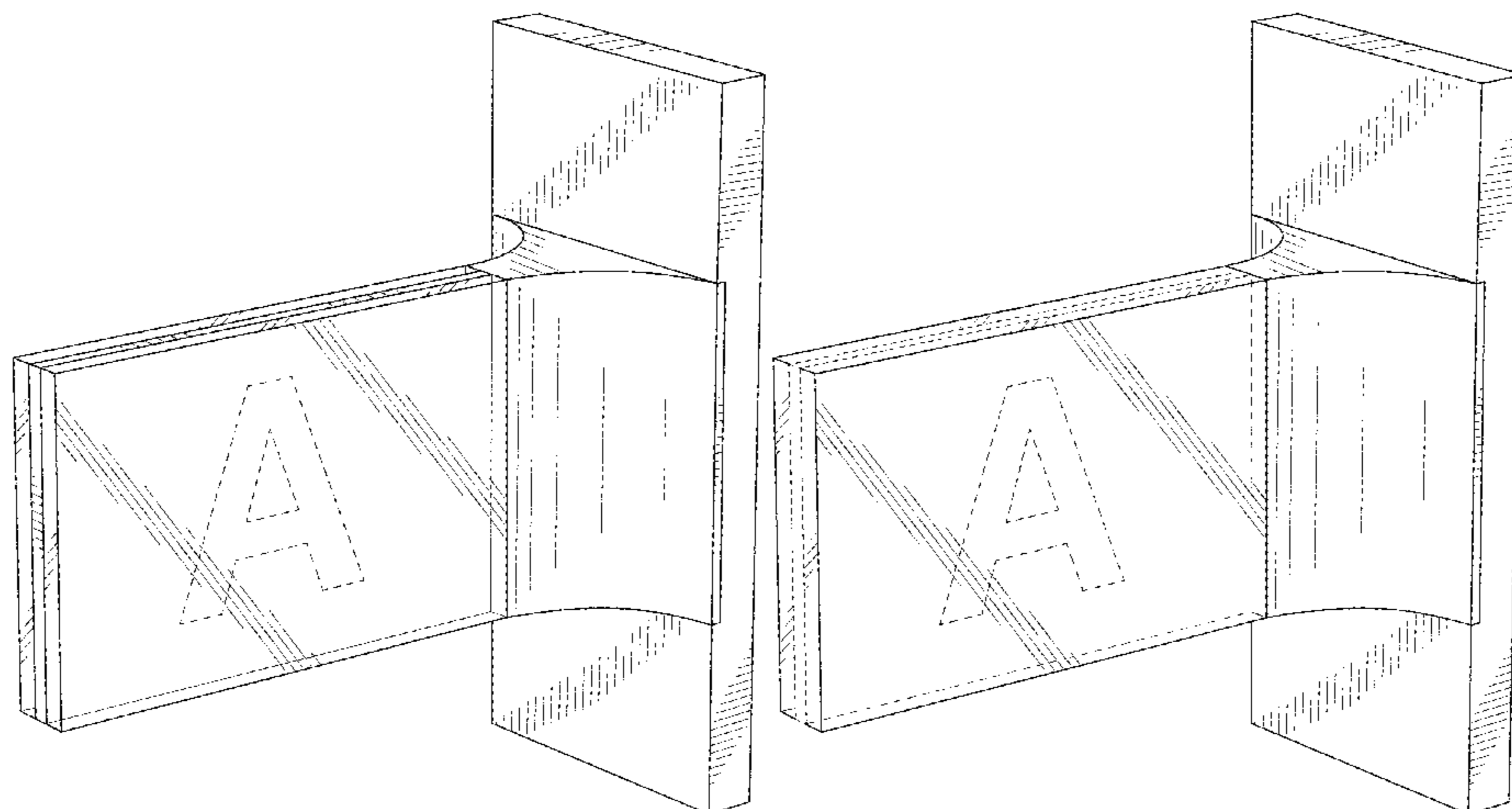
6,550,731 B1 \* 4/2003 Kim ..... G09F 7/18 248/223.41

D647,143 S \* 10/2011 Yi ..... D20/42

(Continued)

FIG. 1 is a perspective view of signage in a building environment, showing our new design in a first embodiment; FIG. 2 is a side view thereof; FIG. 3 is another side view thereof; FIG. 4 is a front view thereof; FIG. 5 is a rear view thereof; FIG. 6 is a top view thereof; FIG. 7 is a bottom view thereof; FIG. 8 is an exploded perspective view thereof; FIG. 9 is another exploded perspective view thereof; FIG. 10 is a perspective view of signage in a building environment, showing our new design in a second embodiment; FIG. 11 is a side view thereof; FIG. 12 is another side view thereof; FIG. 13 is a front view thereof; FIG. 14 is a rear view thereof; FIG. 15 is a top view thereof; FIG. 16 is a bottom view thereof; FIG. 17 is an exploded perspective view thereof; and, FIG. 18 is another exploded perspective view thereof.

(Continued)



The broken lines depict portions of the signage in a building environment that form no part of the claimed design.

**1 Claim, 14 Drawing Sheets**

**(58) Field of Classification Search**

CPC ..... G09F 7/00; G09F 7/16; G09F 7/18; G09F  
13/00; B66B 3/00; B66B 3/002; B66B  
3/006; B66B 3/023

See application file for complete search history.

**(56) References Cited**

U.S. PATENT DOCUMENTS

D660,736	S	*	5/2012	Lee	.....	D10/108
D665,687	S	*	8/2012	Lee	.....	D10/108
D690,365	S	*	9/2013	Gorelick	.....	D20/10
D691,208	S	*	10/2013	Gorelick	.....	D20/10
D708,459	S	*	7/2014	Heirakuji	.....	D6/675
D712,968	S	*	9/2014	Gorelick	.....	D20/10
D827,029	S	*	8/2018	Lim	.....	D20/10
D852,273	S	*	6/2019	Lim	.....	D20/39
D852,274	S	*	6/2019	Lim	.....	D20/39
D890,010	S	*	7/2020	Hikima	.....	D10/108
D899,522	S	*	10/2020	Guo	.....	D20/42
2018/0322815	A1	*	11/2018	White	.....	G09F 7/18

FOREIGN PATENT DOCUMENTS

EM	0058401620006		2/2019
GB	2023885	*	4/1993
JP	D1445378	*	7/2012
JP	D1451289	*	9/2012
WO	D090378-001	*	12/2017

\* cited by examiner

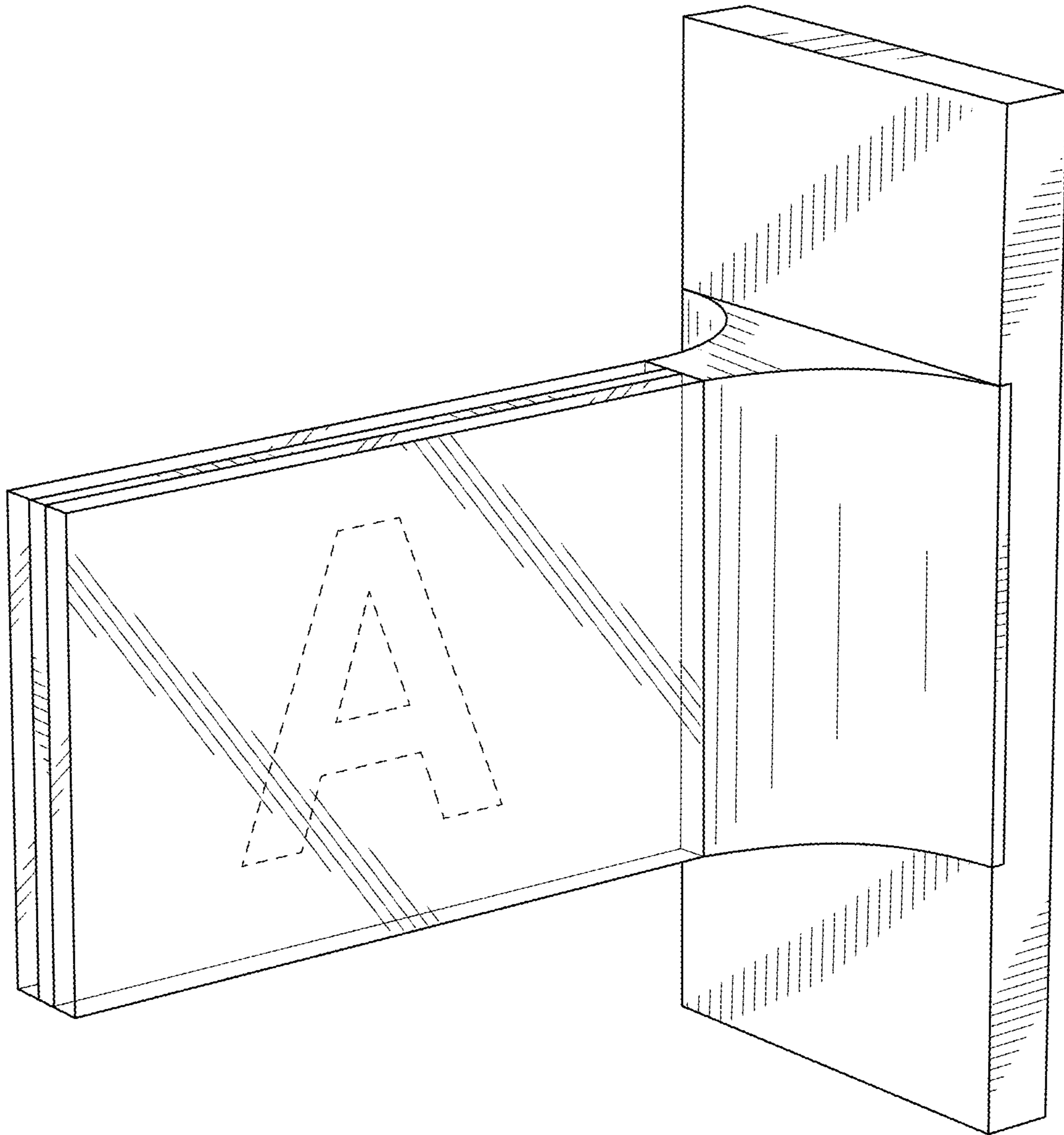


FIG. 1

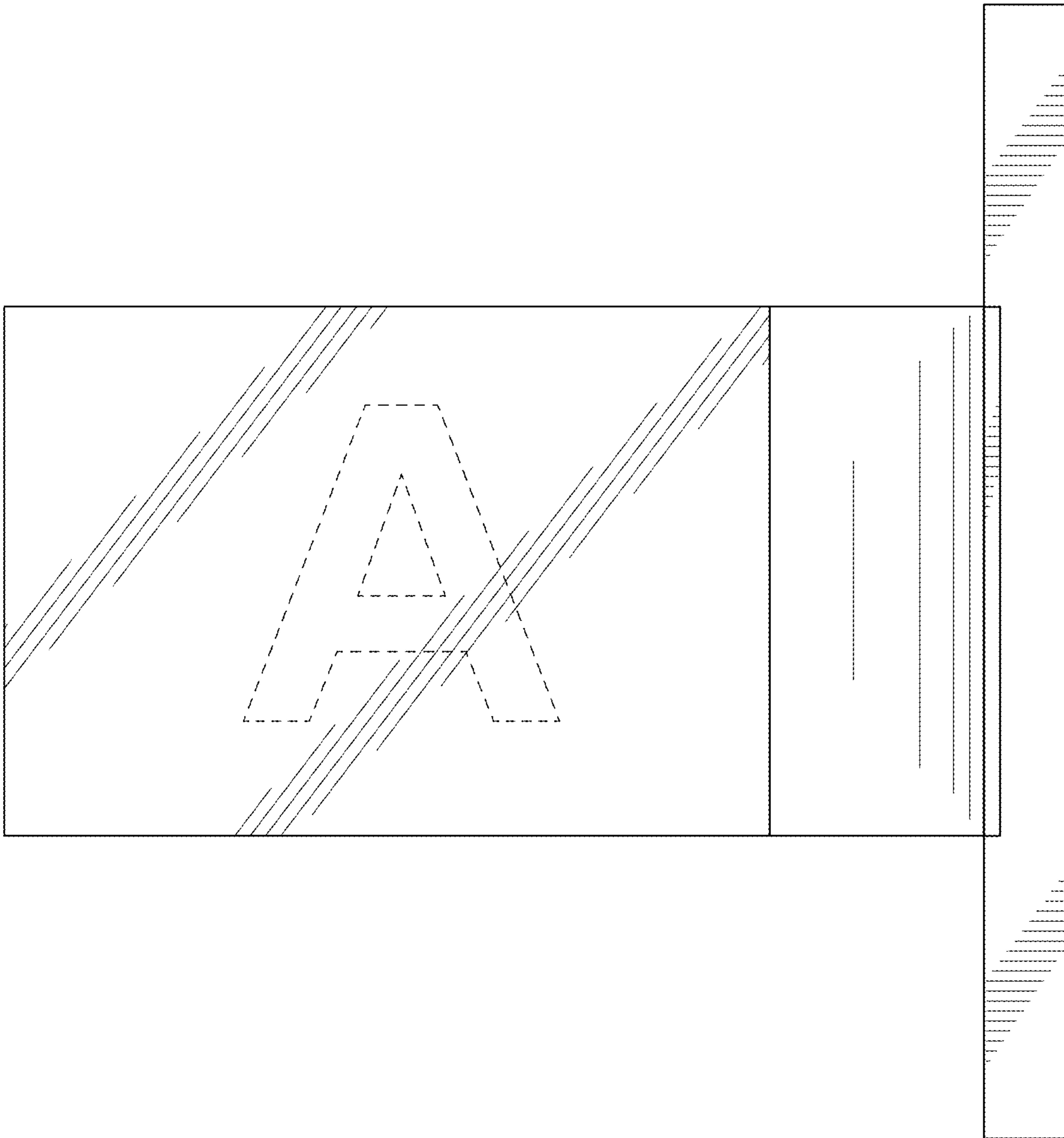


FIG. 2

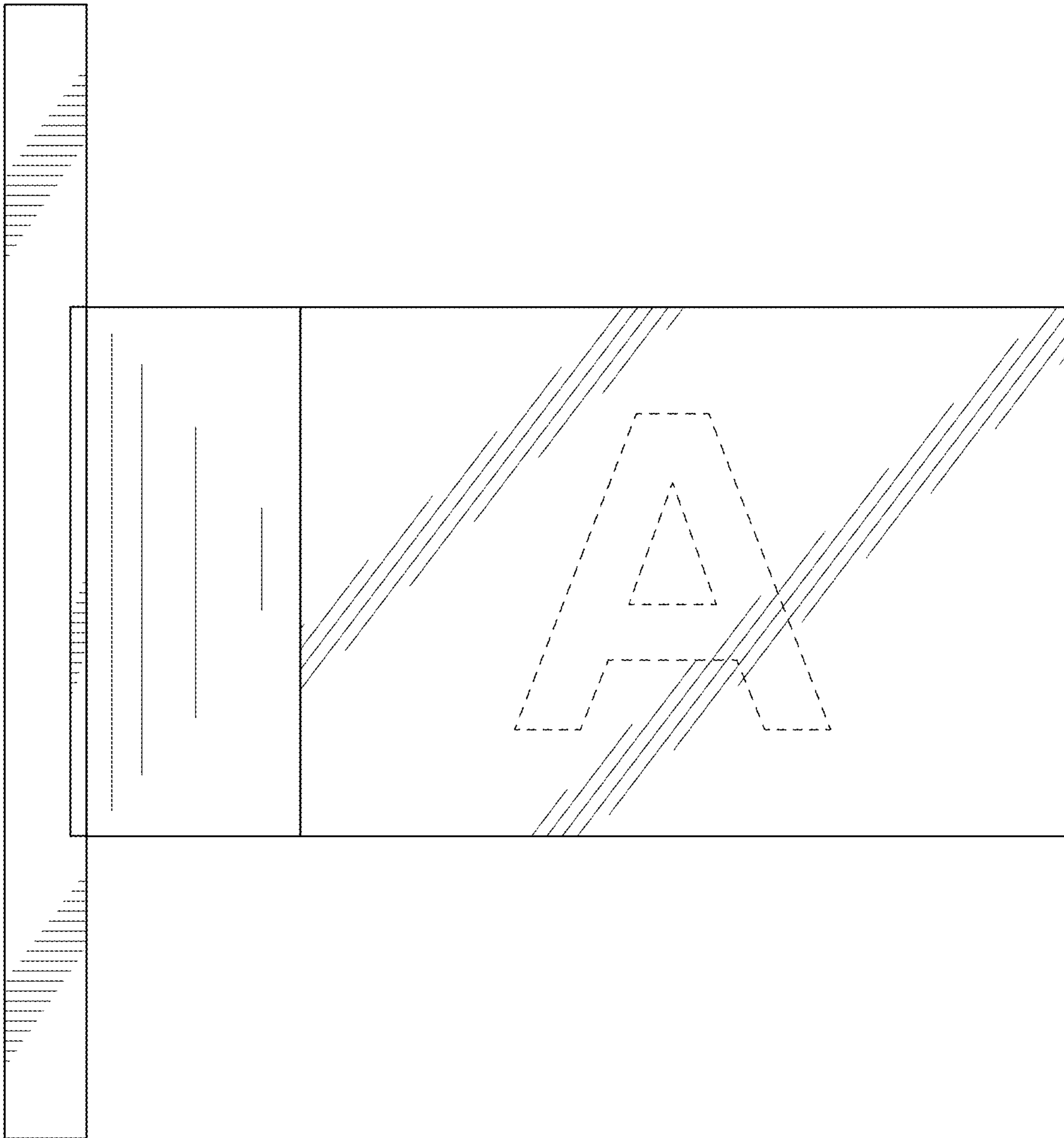


FIG. 3



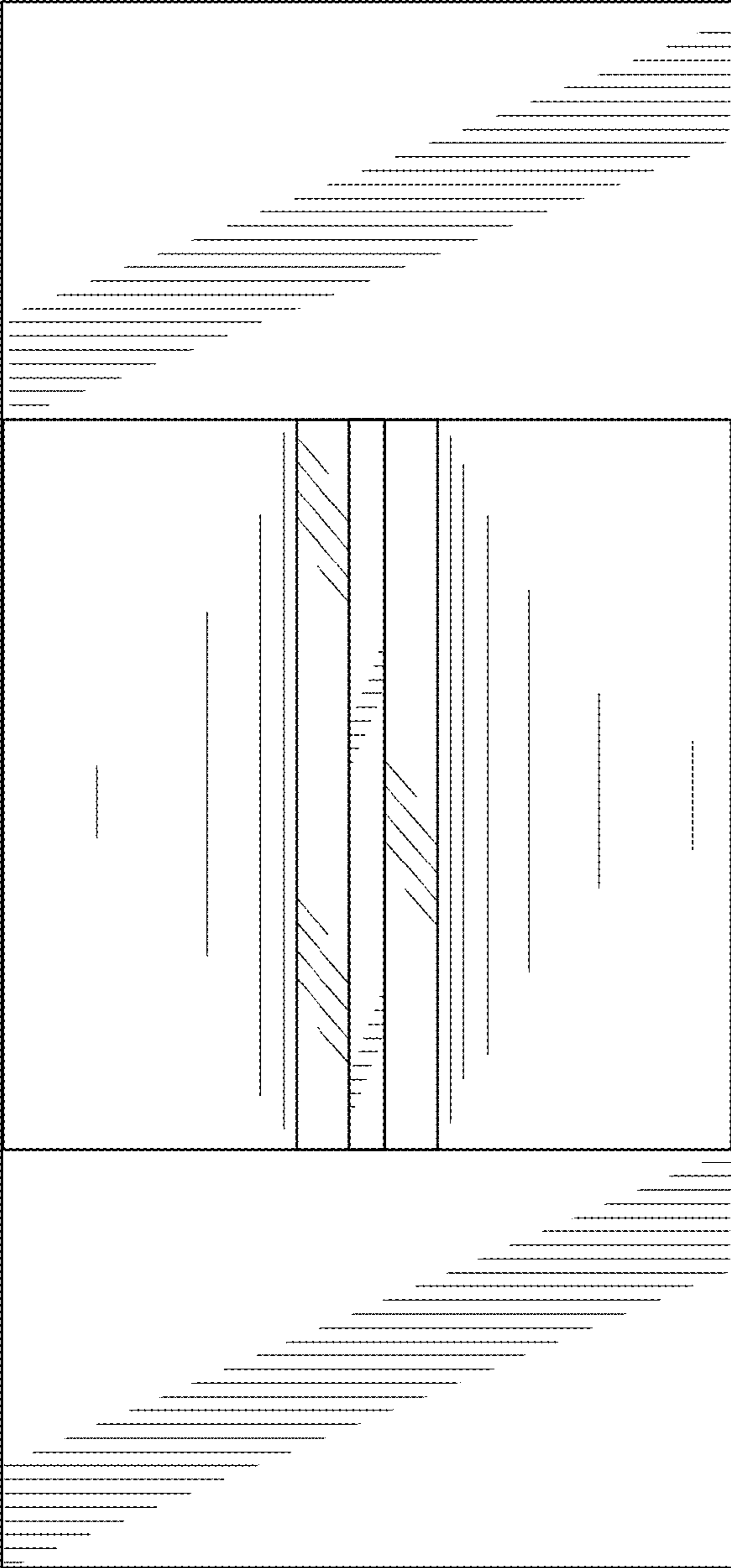


FIG. 4

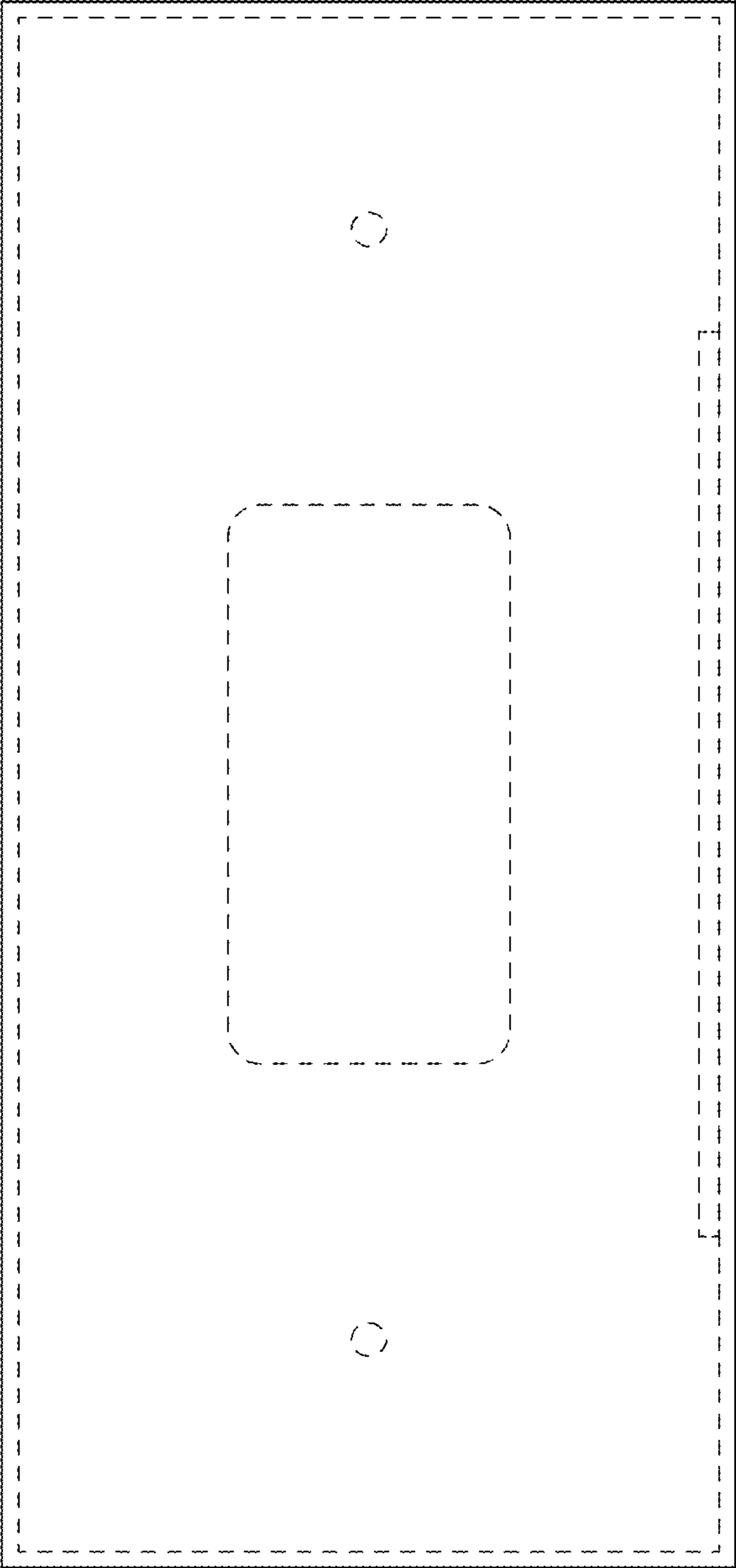


FIG. 5

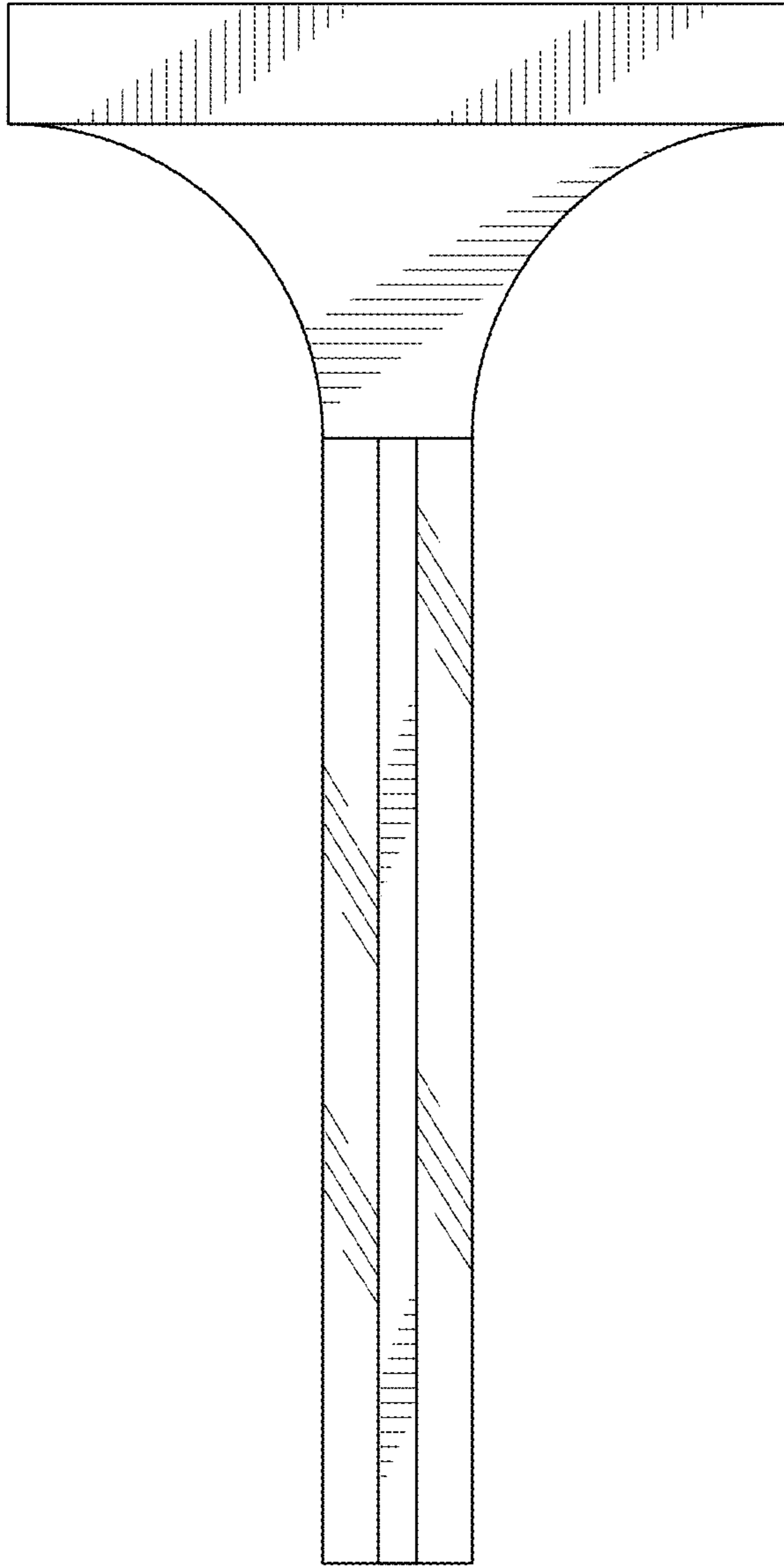


FIG. 6

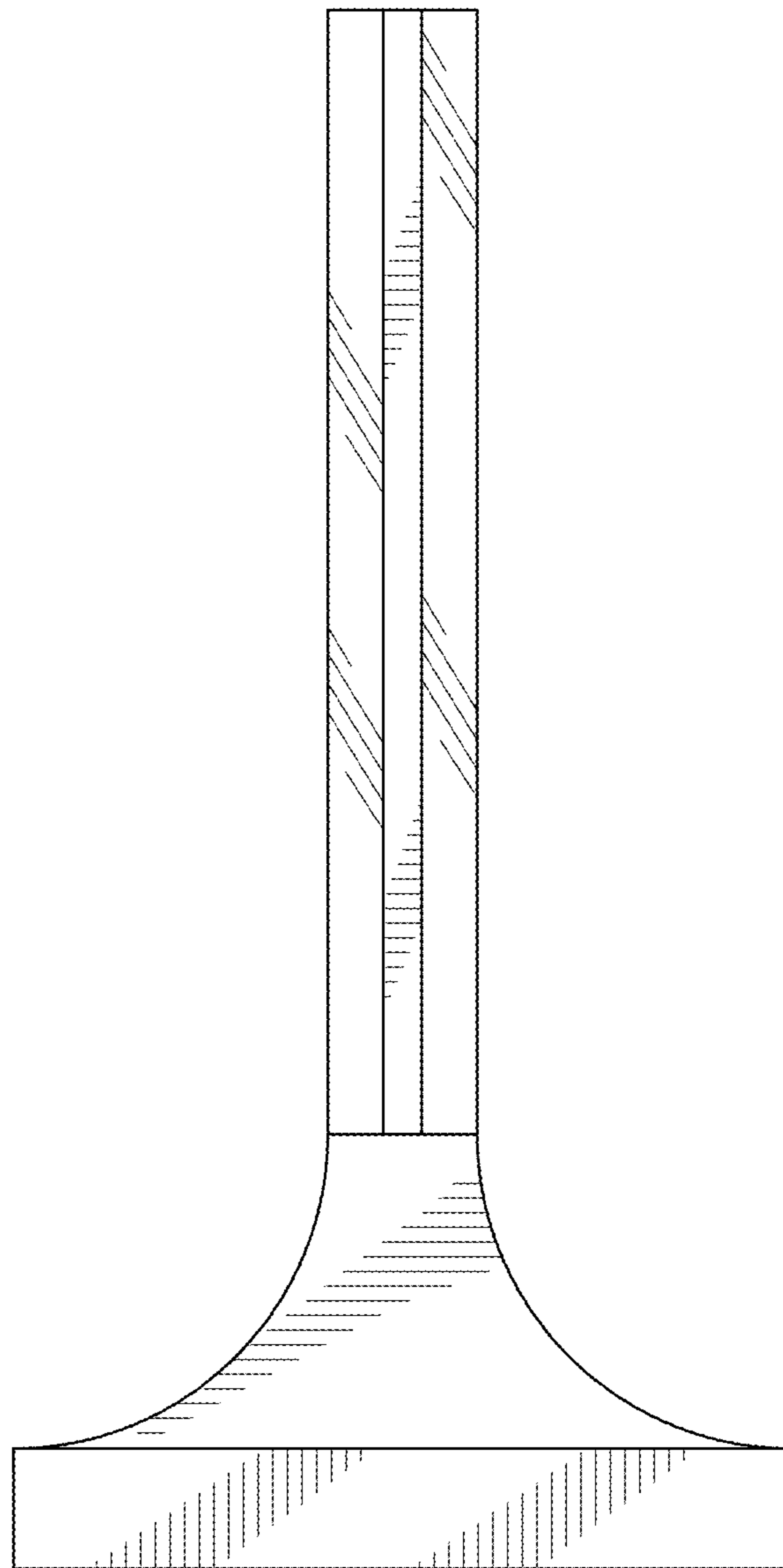


FIG. 7

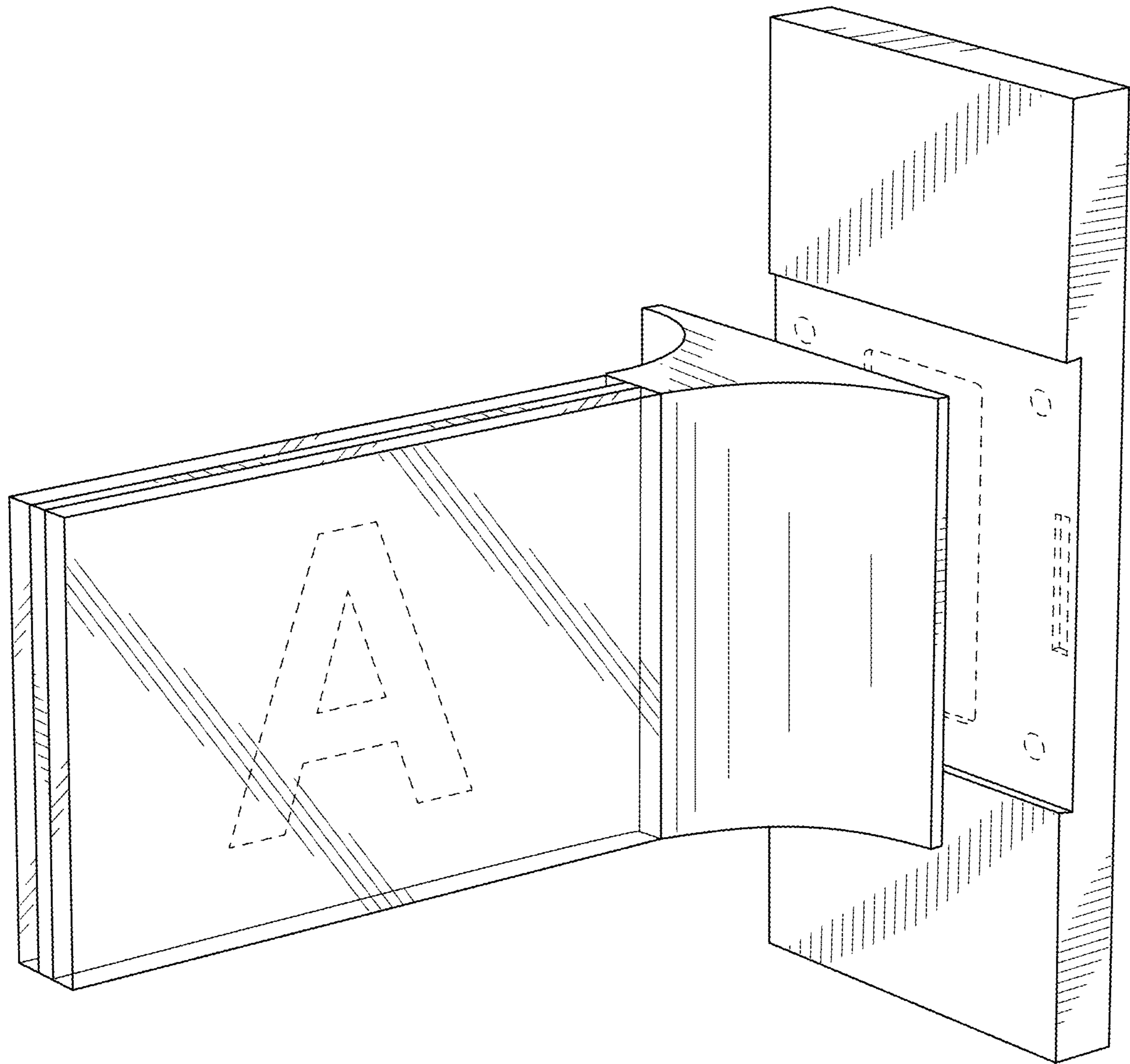


FIG. 8



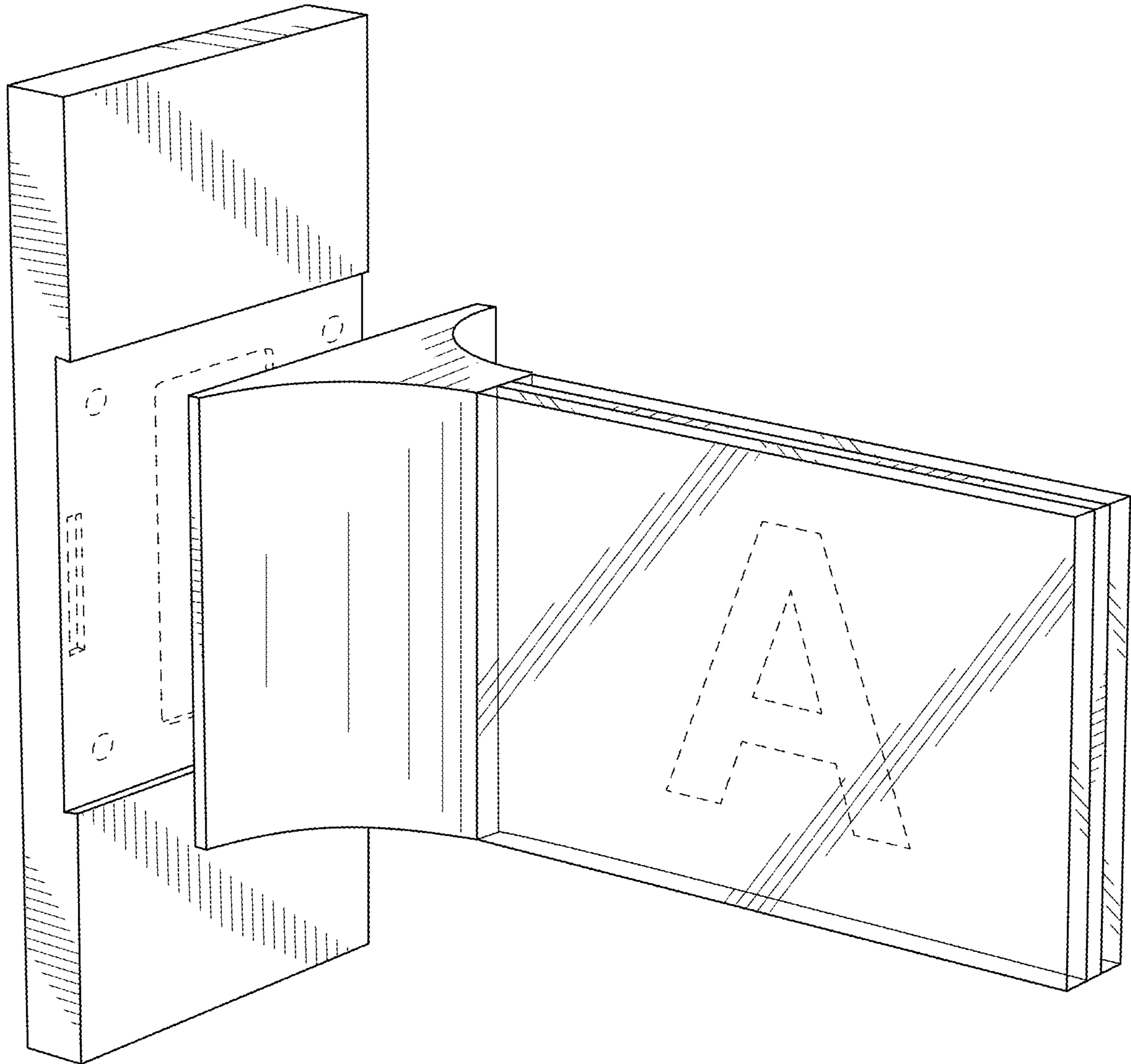


FIG. 9

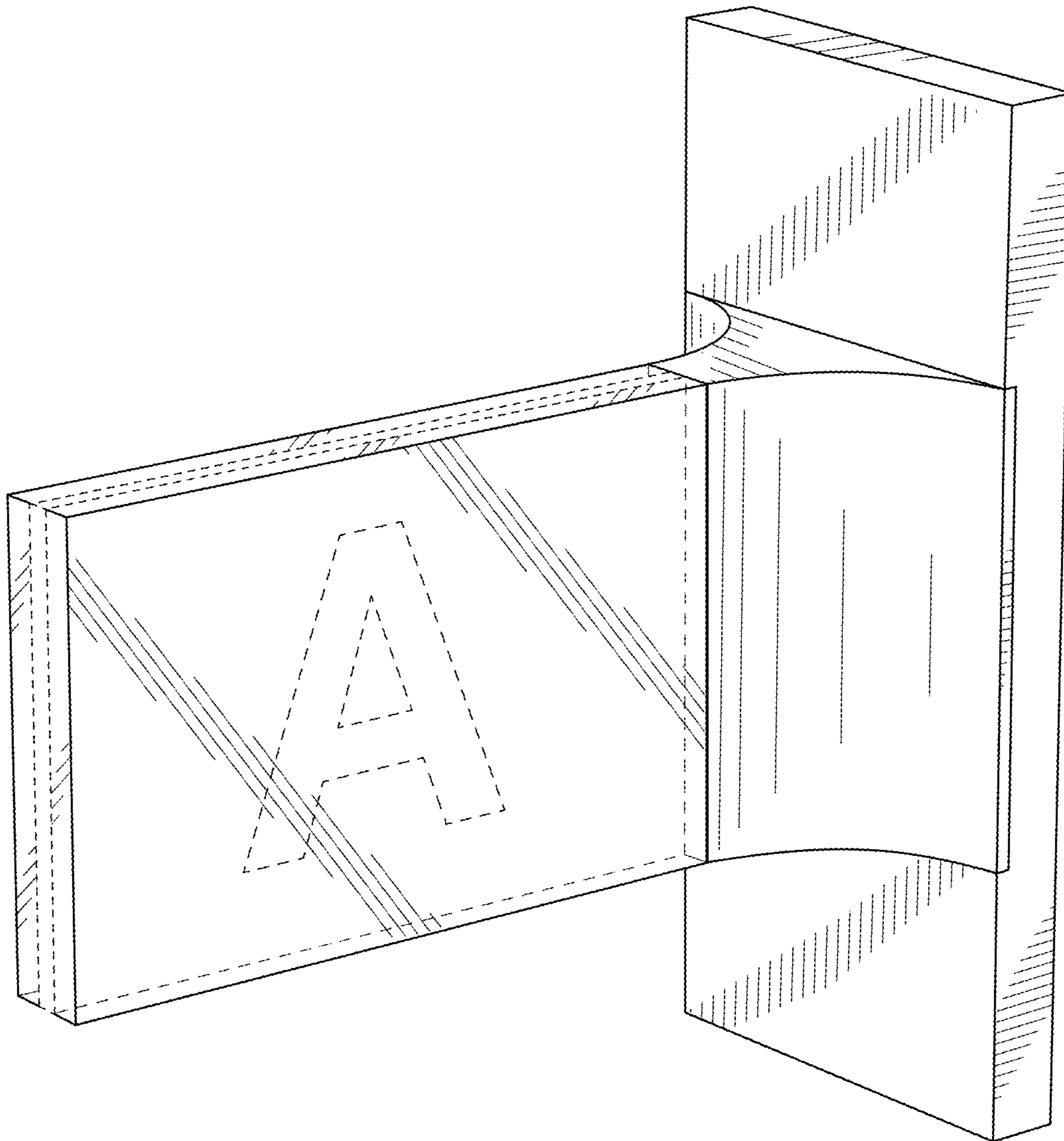


FIG. 10

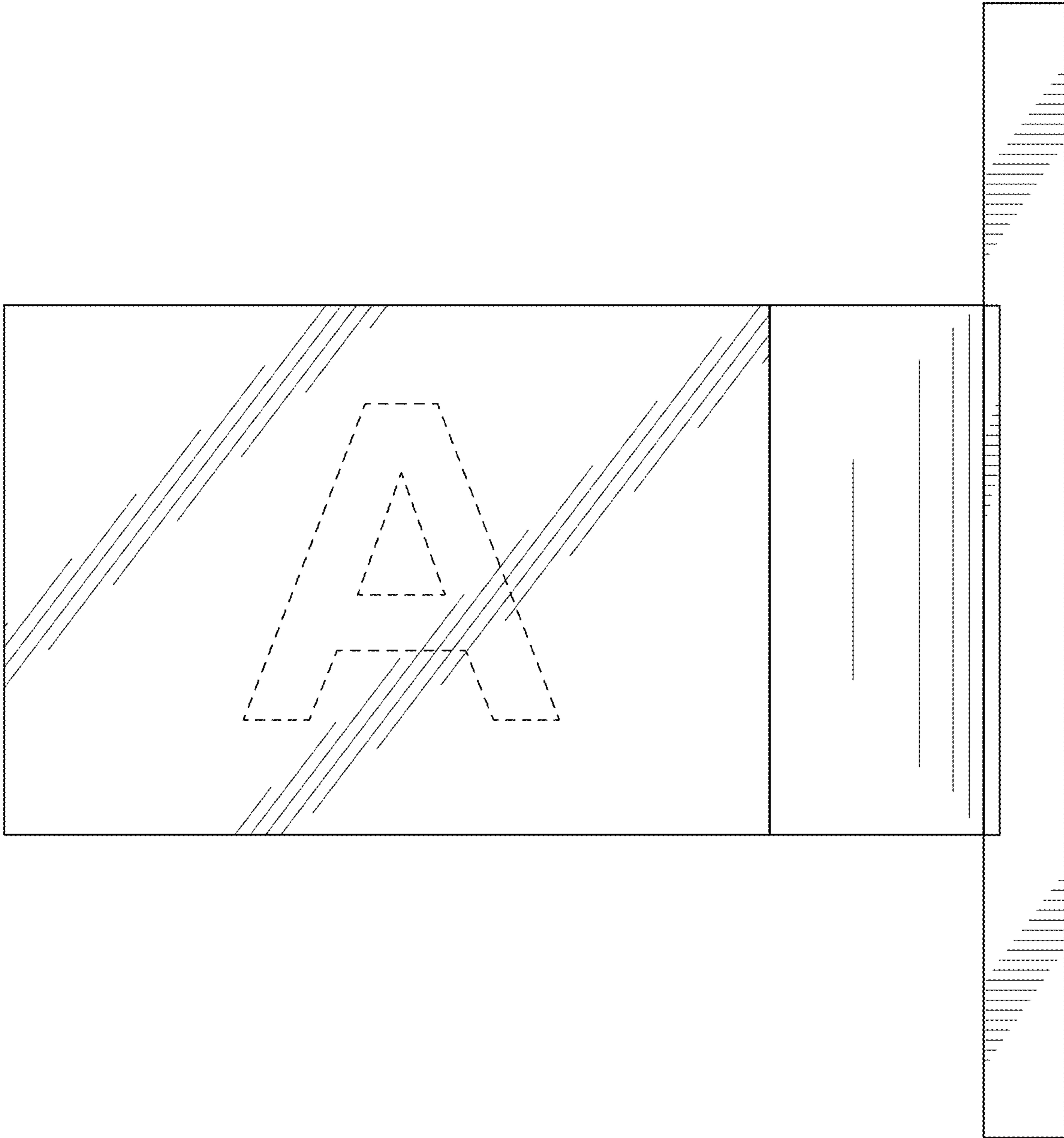


FIG. 11

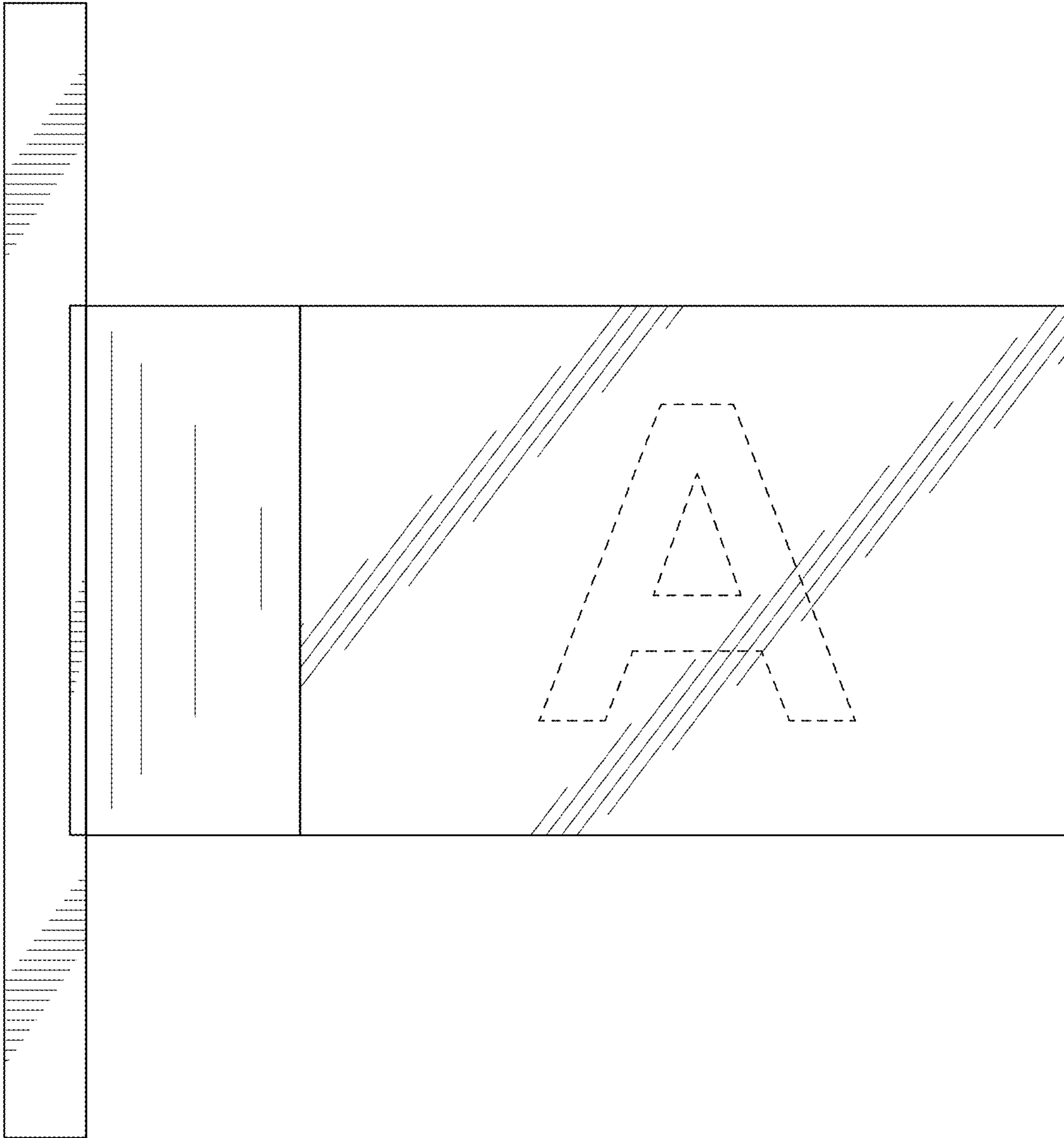


FIG. 12

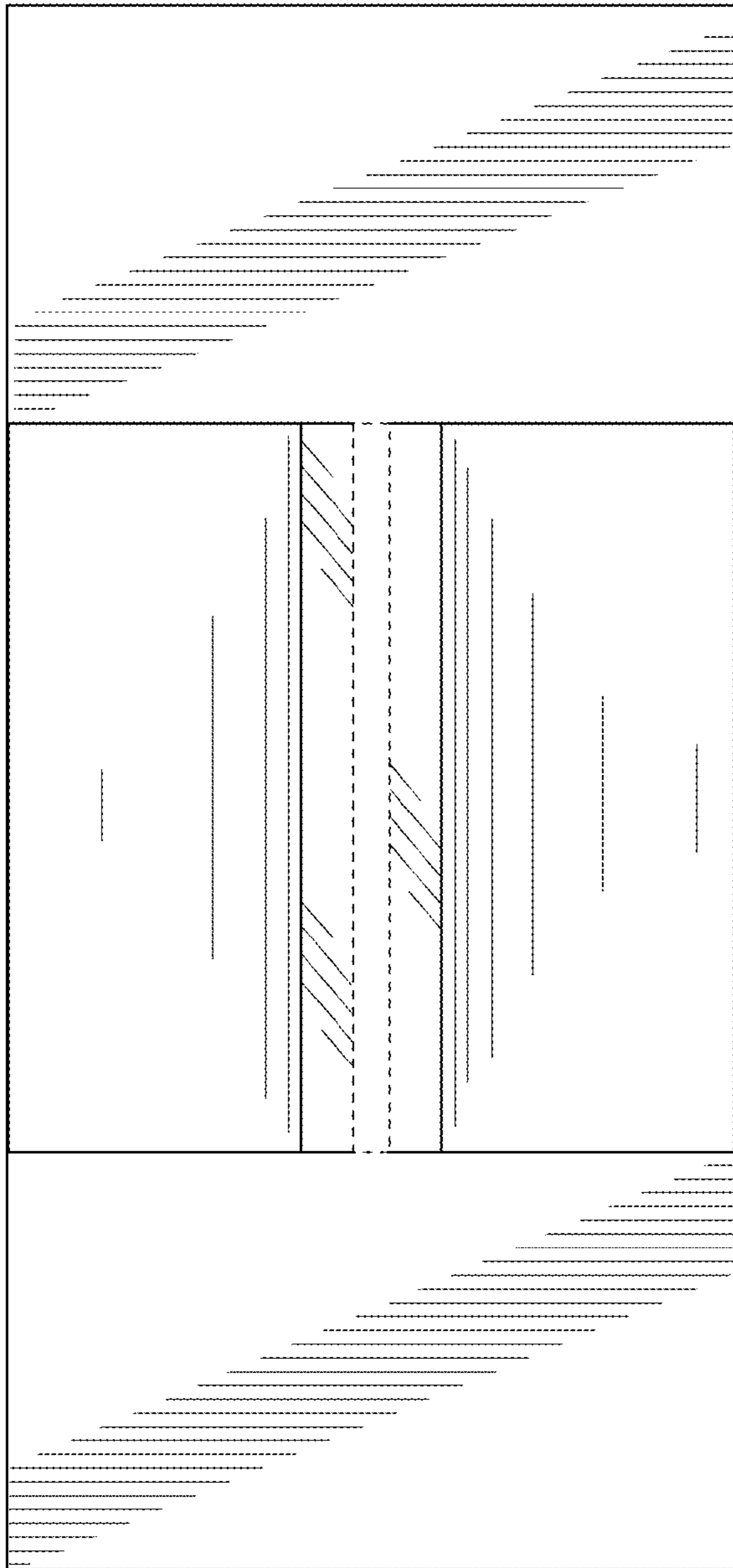


FIG. 13

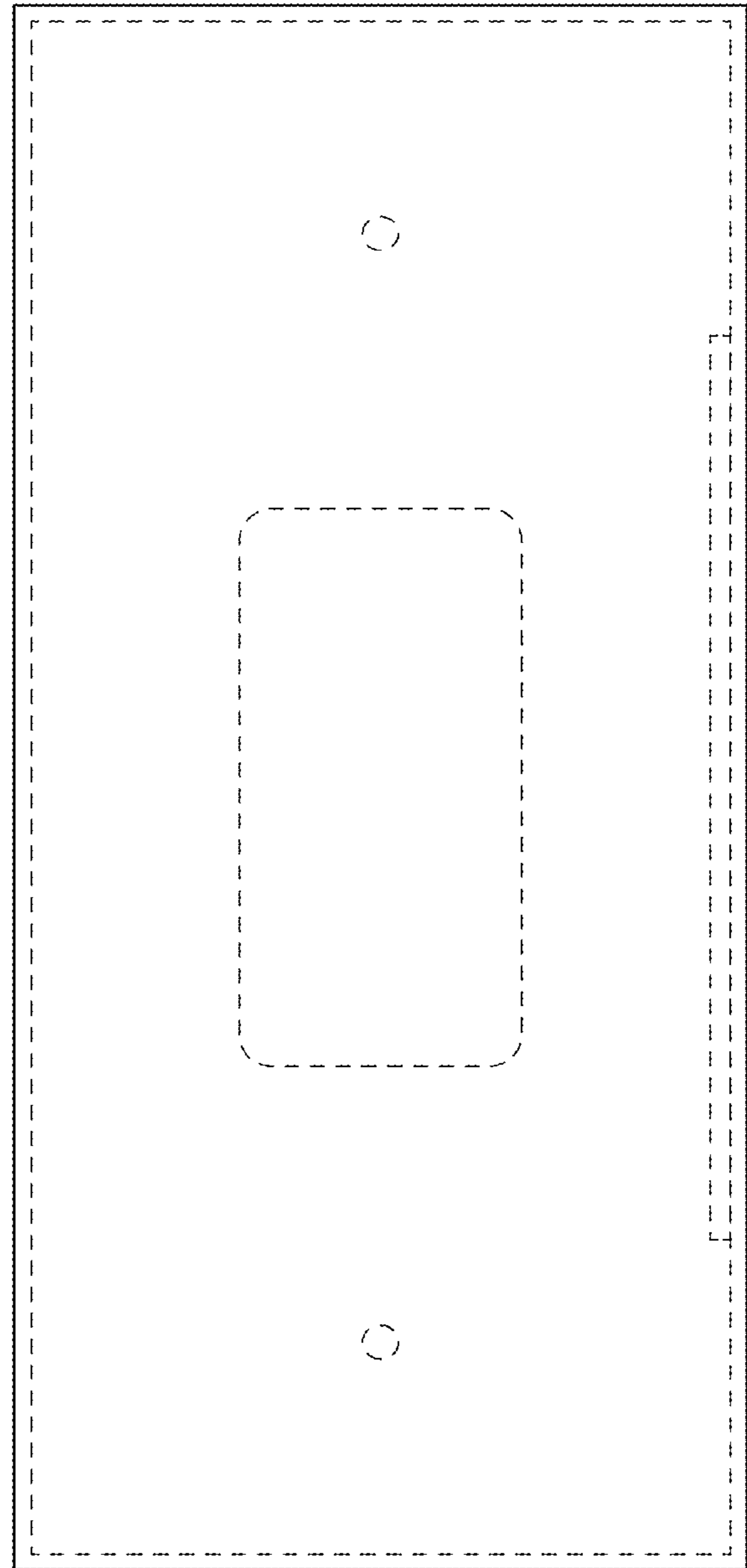


FIG. 14

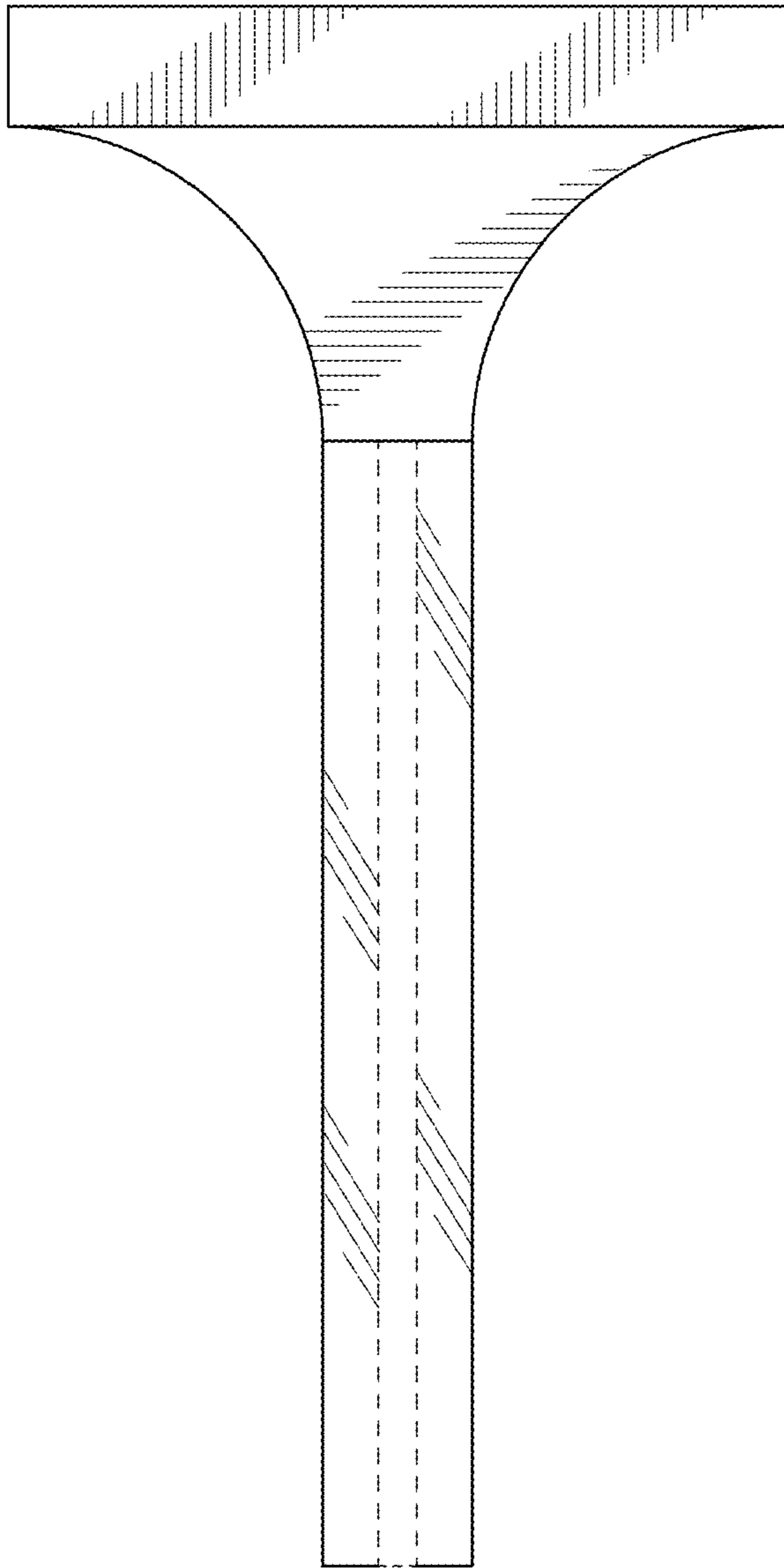


FIG. 15

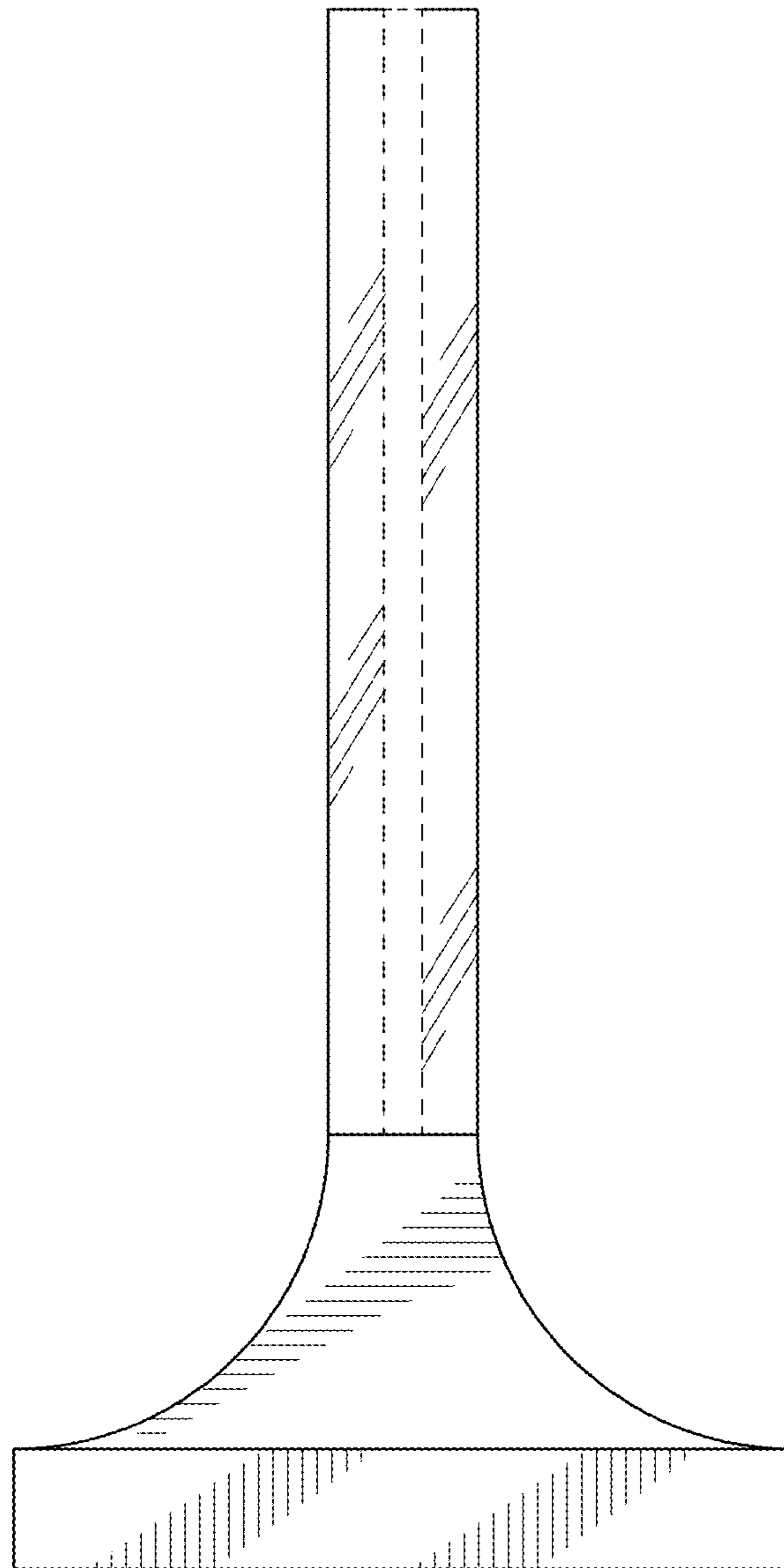


FIG. 16



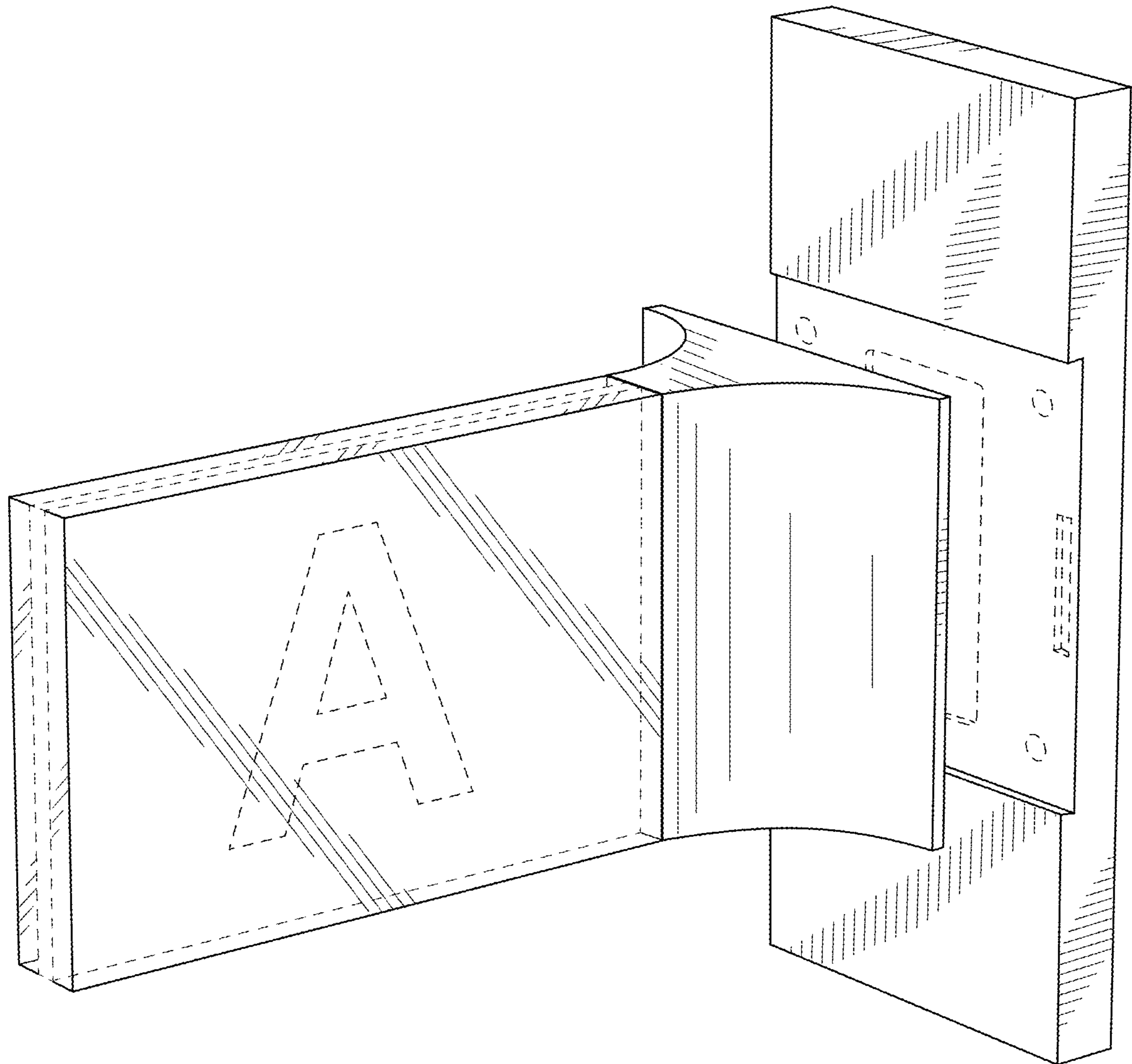


FIG. 17

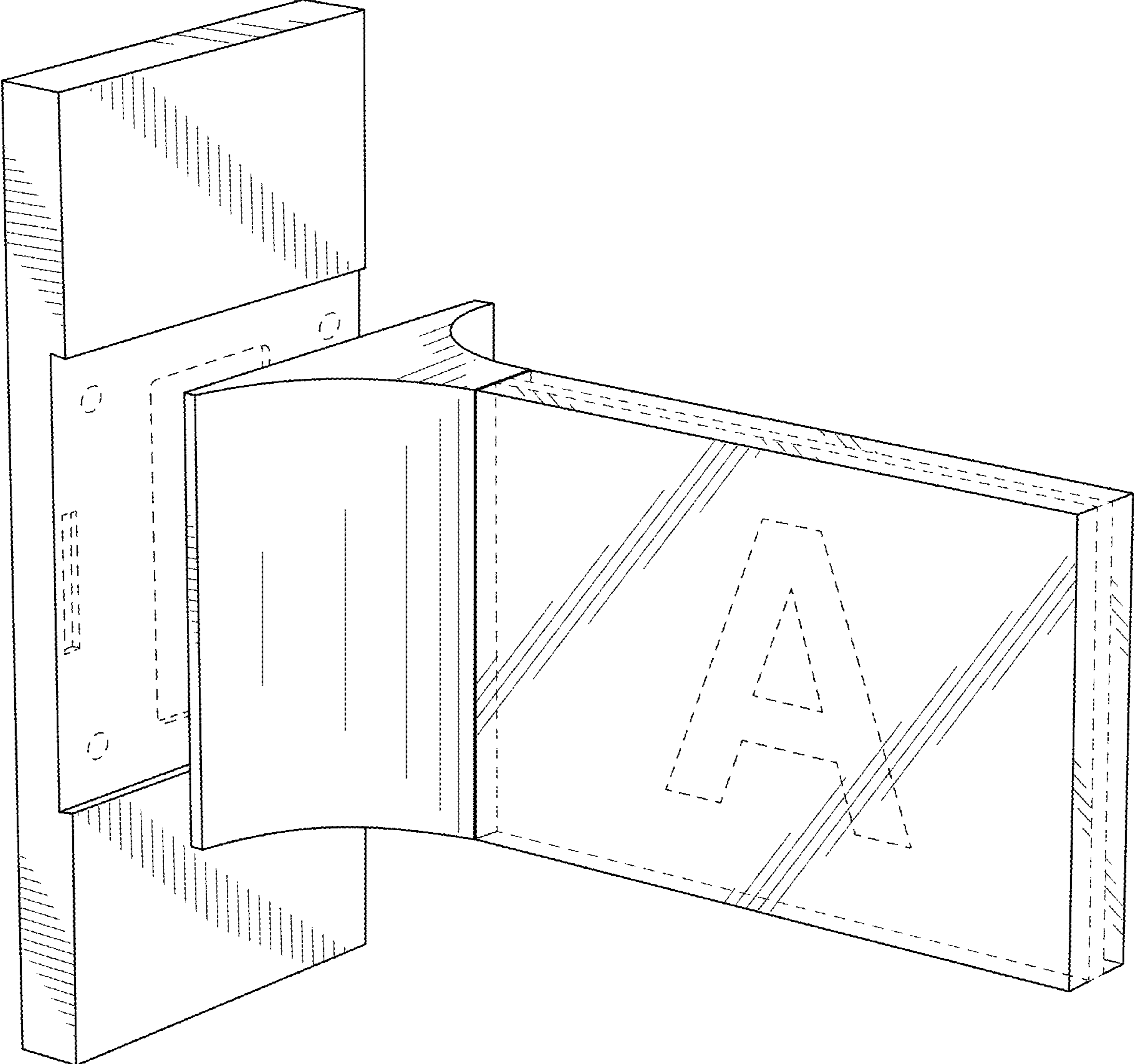


FIG. 18