



US00D958884S

(12) **United States Design Patent** (10) **Patent No.:** **US D958,884 S**  
**Wu** (45) **Date of Patent:** **\*\* Jul. 26, 2022**

(54) **PEN** D839,344 S \* 1/2019 Song ..... D19/66  
D839,350 S \* 1/2019 Hockenberry ..... D19/177  
(71) Applicant: **Chuan Wu**, Guangdong (CN) D866,662 S \* 11/2019 Swanick ..... B43K 23/016  
D19/174  
(72) Inventor: **Chuan Wu**, Guangdong (CN) 2015/0286311 A1\* 10/2015 Chang ..... G06F 3/03545  
345/174

(\*\*) **Term:** **15 Years**

**FOREIGN PATENT DOCUMENTS**

(21) Appl. No.: **29/767,792** CN 304359678 \* 11/2017  
(22) Filed: **Jan. 26, 2021** CN 305561230 \* 1/2020

**OTHER PUBLICATIONS**

(30) **Foreign Application Priority Data**

Nov. 11, 2020 (CN) ..... 202030681948.4

Weltool M6-Dr Diagnosti Torch, Amazon.com, date published Oct. 26, 2018, date retrieved from internet Mar. 21, 2022-29767792-  
<https://amzn.to/3tp8fdY> (Year: 2018).\*

(51) **LOC (13) Cl.** ..... **19-06**

(52) **U.S. Cl.**  
USPC ..... **D19/168**

\* cited by examiner

(58) **Field of Classification Search**  
USPC ..... D19/115-185; D14/431  
CPC ..... G06F 3/0383; G06F 3/03545  
See application file for complete search history.

*Primary Examiner* — Jennifer L Rempfer  
*Assistant Examiner* — Danielle Nichole Bowly

(56) **References Cited**

(57) **CLAIM**

The ornamental design for a pen, as shown and described.

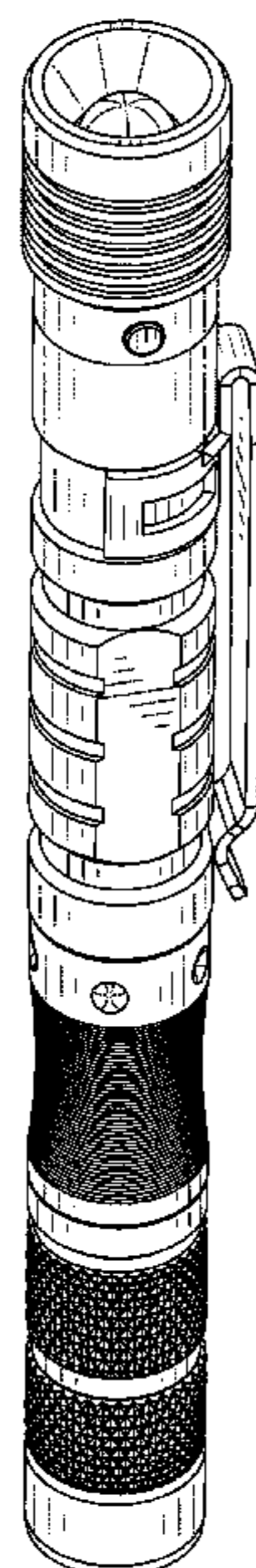
**U.S. PATENT DOCUMENTS**

**DESCRIPTION**

D328,918 S \* 8/1992 Buda ..... D19/906  
D385,912 S \* 11/1997 Byun ..... D10/2  
D443,644 S \* 6/2001 Lewis, Jr. .... D19/174  
D570,913 S \* 6/2008 Kusaba ..... D19/923  
D579,978 S \* 11/2008 Yu ..... D19/177  
D618,278 S \* 6/2010 Yoon ..... D19/916  
D628,629 S \* 12/2010 Liu ..... D19/904  
D647,562 S \* 10/2011 Chu ..... D19/916  
D651,647 S \* 1/2012 Chu ..... D19/177  
D652,081 S \* 1/2012 Chu ..... D19/163  
D661,734 S \* 6/2012 Johnson ..... D19/934  
D685,848 S \* 7/2013 Chu ..... D19/903  
D692,480 S \* 10/2013 Chu ..... D19/123  
D771,188 S \* 11/2016 Csokmay ..... D19/170  
D802,664 S \* 11/2017 Mille ..... D19/164  
D822,110 S \* 7/2018 Maréchal ..... D19/127

FIG. 1 is a perspective view of a pen showing my new design;  
FIG. 2 is a front elevational view thereof;  
FIG. 3 is a rear elevational view thereof;  
FIG. 4 is a left side elevational view thereof;  
FIG. 5 is a right side elevational view thereof;  
FIG. 6 is a top plan view thereof;  
FIG. 7 is a bottom plan view thereof;  
FIG. 8 is another perspective view thereof; and,  
FIG. 9 is an enlarged perspective view thereof.

**1 Claim, 9 Drawing Sheets**



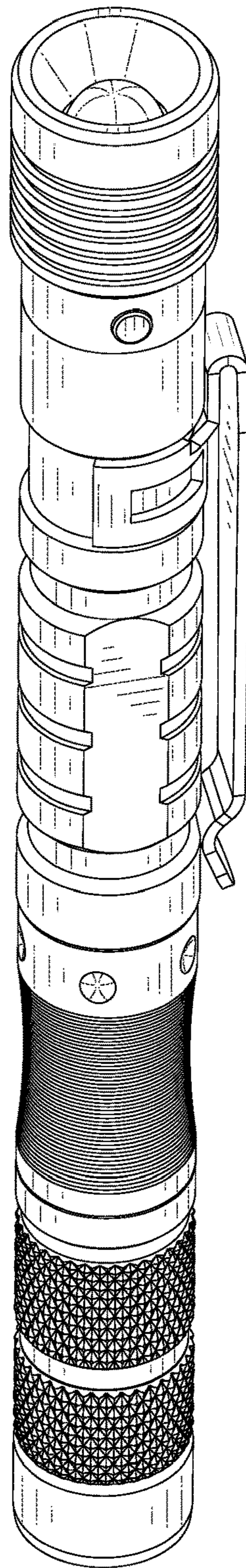


FIG. 1

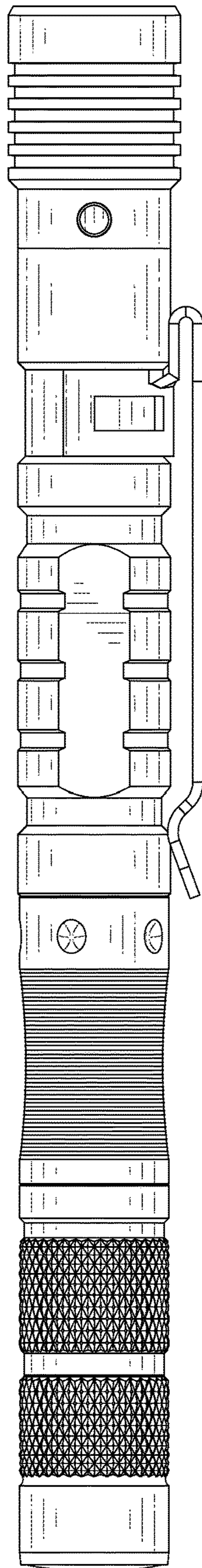


FIG.2

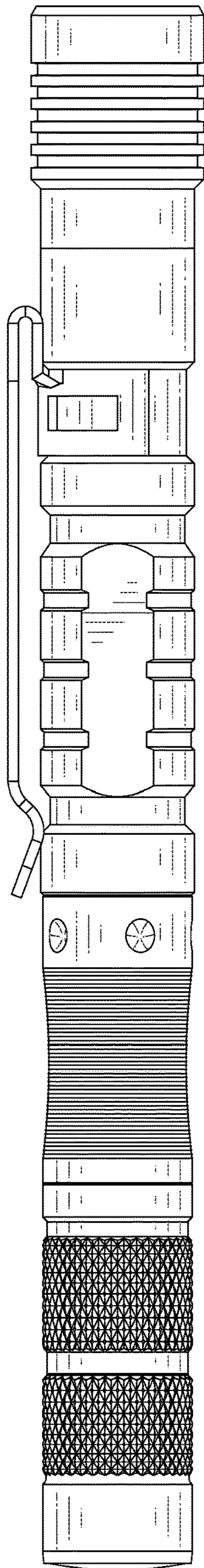


FIG.3



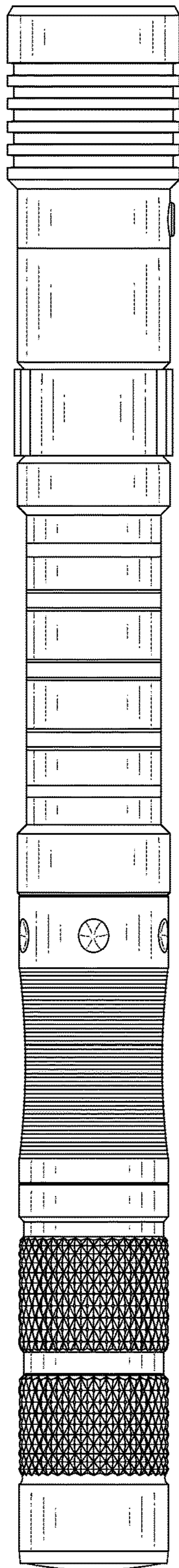


FIG.4

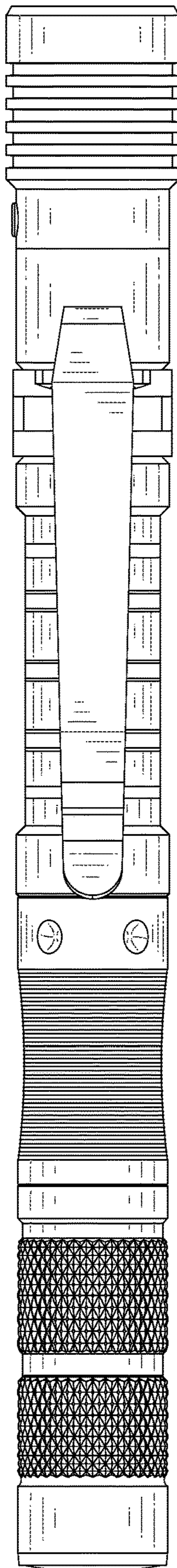


FIG.5

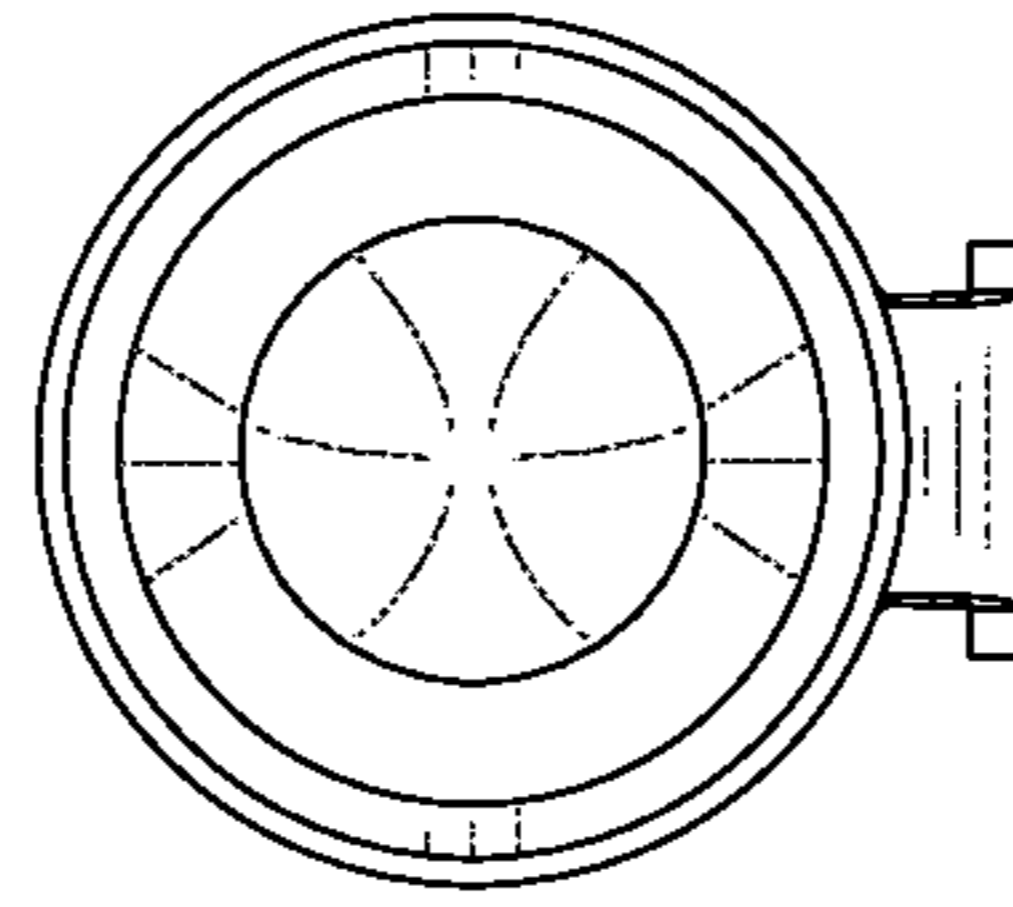


FIG.6

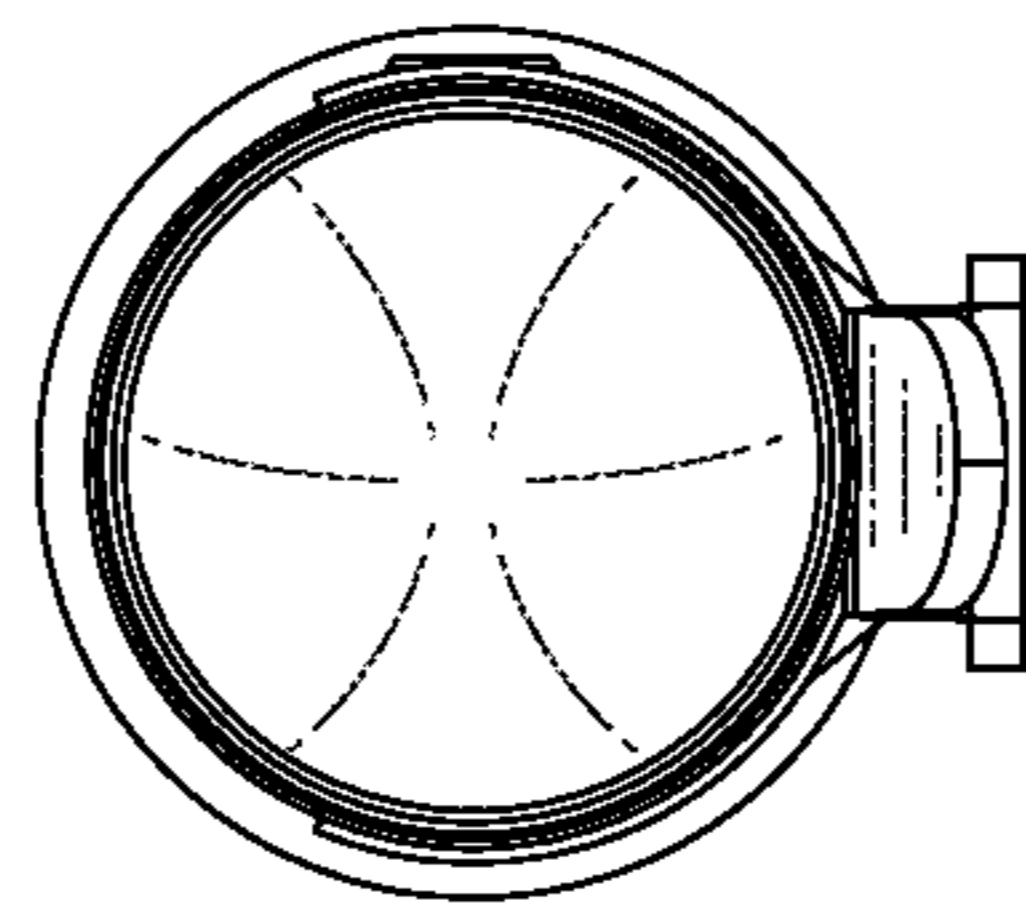


FIG.7



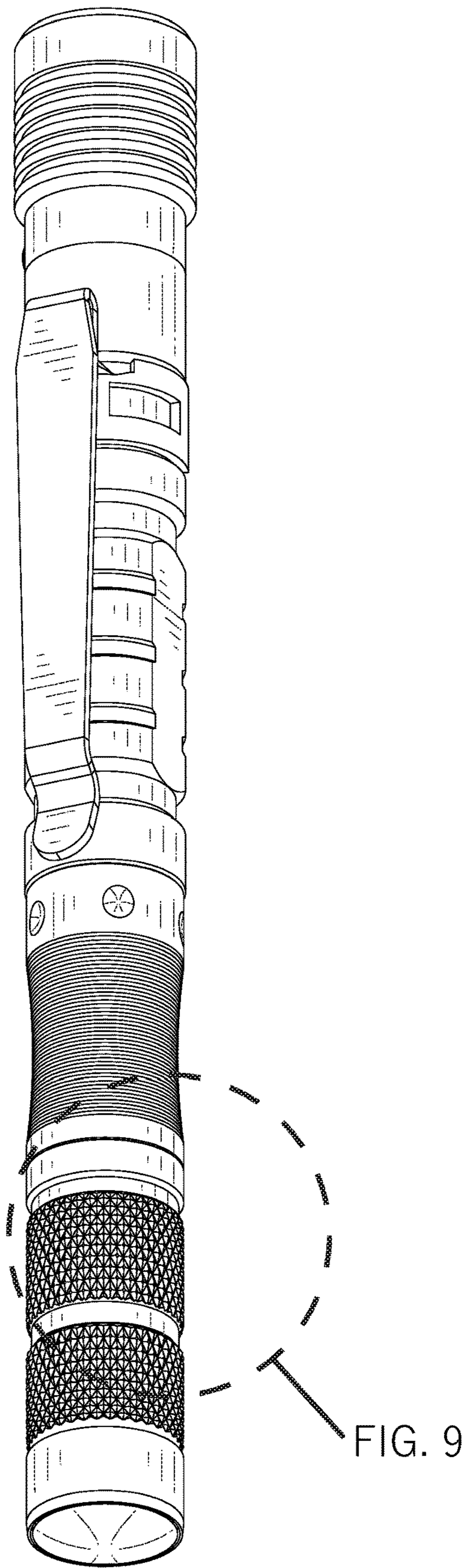


FIG. 8

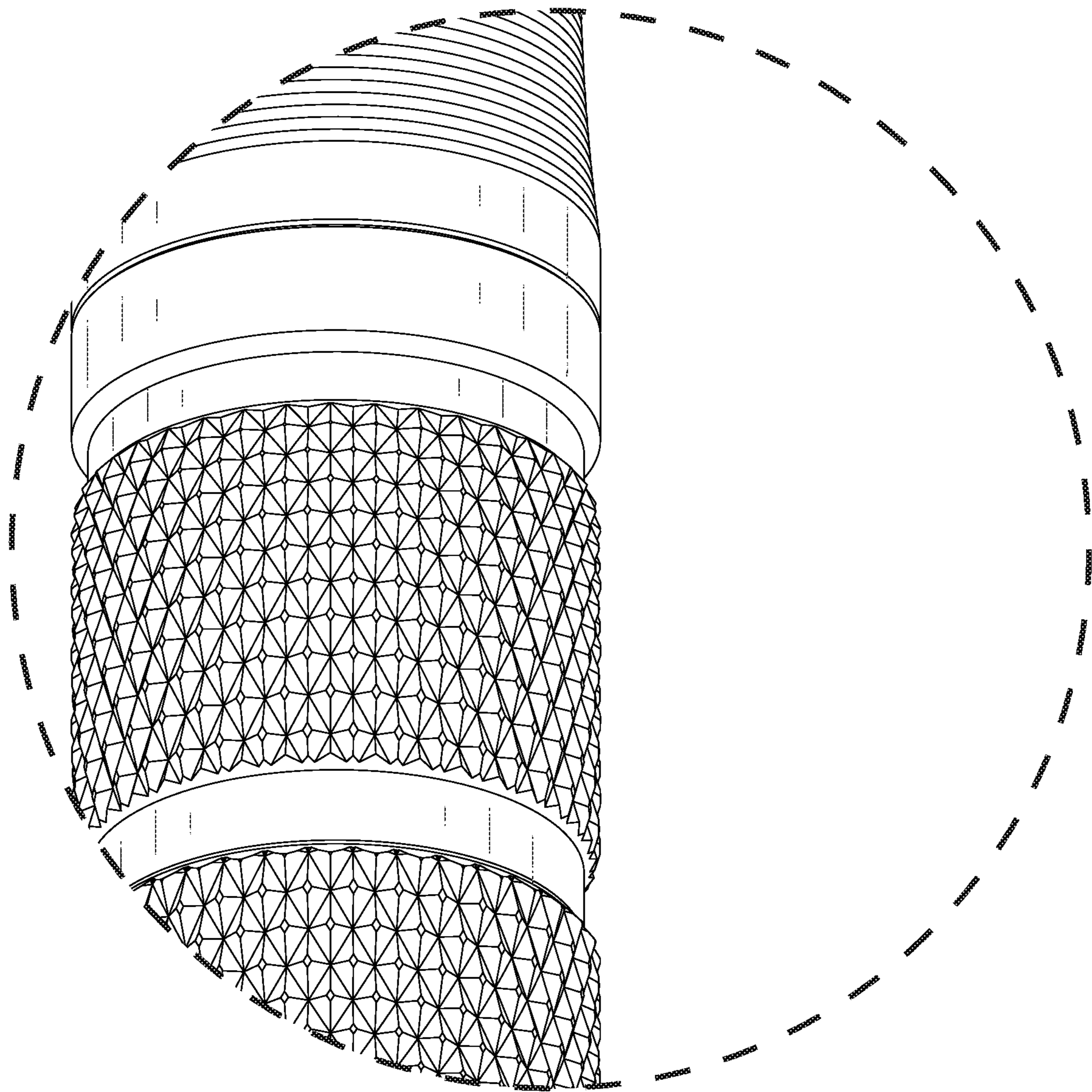


FIG.9