



US00D958882S

(12) **United States Design Patent**
Miyauchi

(10) **Patent No.:** **US D958,882 S**
(45) **Date of Patent:** **** Jul. 26, 2022**

(54) **PRINTER**

(71) Applicant: **SEIKO EPSON CORPORATION**,
Tokyo (JP)

(72) Inventor: **Hiroto Miyauchi**, Matsumoto (JP)

(73) Assignee: **SEIKO EPSON CORPORATION**,
Tokyo (JP)

(**) Term: **15 Years**

(21) Appl. No.: **29/703,491**

(22) Filed: **Aug. 28, 2019**

(30) **Foreign Application Priority Data**

Mar. 5, 2019 (JP) 2019-004500

(51) **LOC (13) Cl.** **14-02**

(52) **U.S. Cl.**
USPC **D18/50**

(58) **Field of Classification Search**
USPC D18/50, 53, 54, 55, 56, 36, 37, 38, 39,
D18/40, 41, 45, 12, 14, 19; D14/301,
D14/307, 121

CPC H04N 1/00278; H04N 1/00204; H04N
1/00249; G06K 15/12; G06K 15/14; B41J
3/00; B41J 3/28; B41J 3/445; B41J 3/46
See application file for complete search history.

(56) **References Cited**

U.S. PATENT DOCUMENTS

- D348,899 S * 7/1994 Masujima D18/50
- D373,380 S * 9/1996 Dwyer 347/108
- D522,572 S * 6/2006 Lee D18/46
- D537,477 S * 2/2007 Lim D18/55
- D809,059 S * 1/2018 Yamashita D18/56
- D839,342 S * 1/2019 Higuchi D18/50
- D841,085 S * 2/2019 Higuchi D18/50

(Continued)

FOREIGN PATENT DOCUMENTS

CN 305351603 * 9/2019
EP 3695971 A1 * 8/2020 B41J 2/125
(Continued)

OTHER PUBLICATIONS

Amazon. Link: https://www.amazon.com/Epson-EcoTank-Wireless-Supertank-Printer/dp/B09Q2SDMQ8/ref=sr_1_1?crid=PKD0AFC781GK&keywords=B09Q2SDMQ8&qid=1650468526&s=electronics&sprefix=b09q2sdmq8%2Celectronics%2C57&sr=1-1. Jan. 10, 2022. Epson EcoTank ET-2760 Wireless Color All-in-One Printer. (Year: 2022).*

(Continued)

Primary Examiner — Lauren D McVey

(57) **CLAIM**

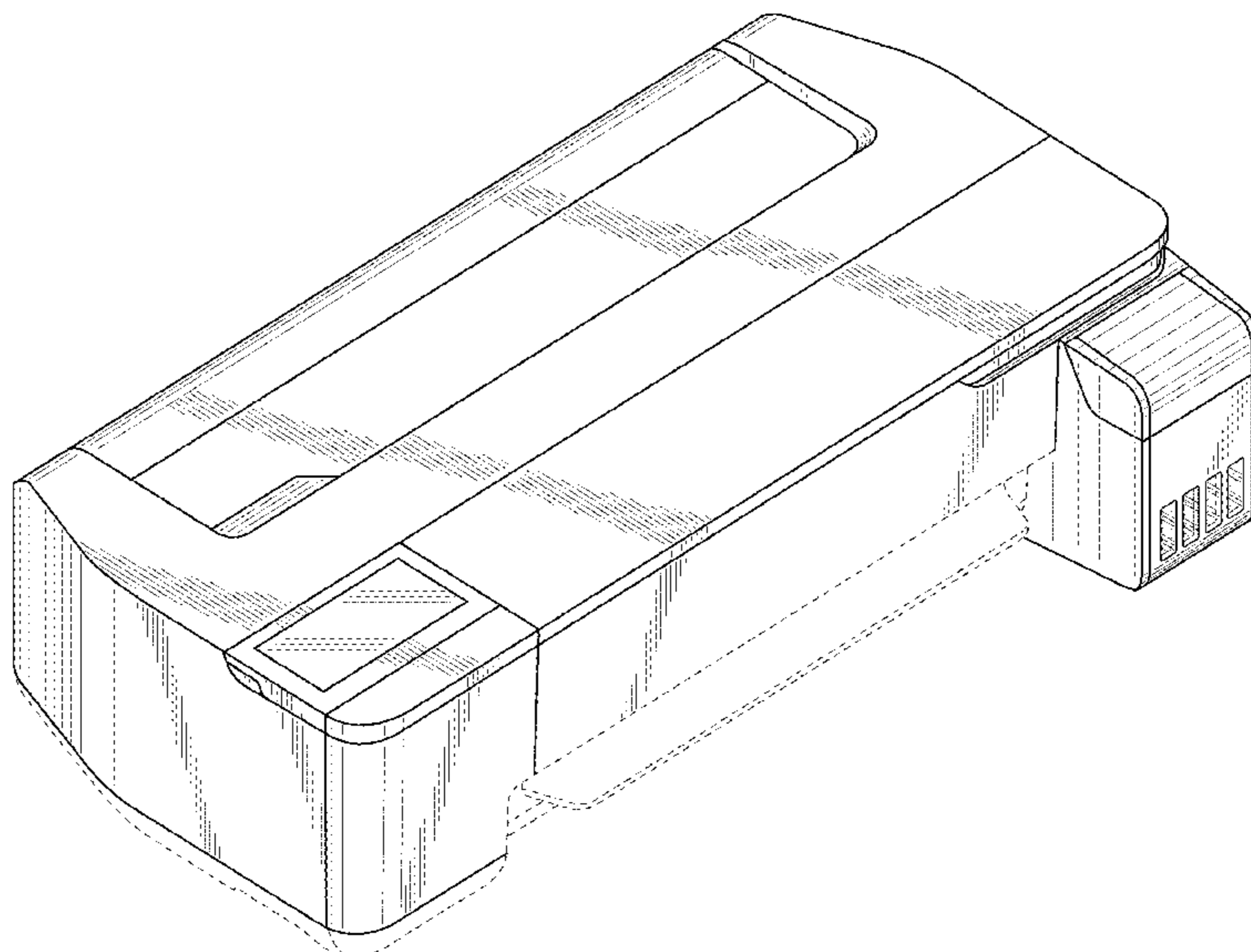
The ornamental design for a printer, as shown and described.

DESCRIPTION

FIG. 1 is a front, top and left side perspective view of a printer showing my new design; FIG. 2 is a rear, top and right side perspective view thereof; FIG. 3 is a front view thereof; FIG. 4 is a rear view thereof; FIG. 5 is a left side view thereof; FIG. 6 is a right side view thereof; FIG. 7 is a top plan view thereof; FIG. 8 is a bottom plan view thereof; and, FIG. 9 is an enlarged view of a portion defined by lines 9-9 in FIG. 3.

The evenly spaced broken lines that are immediately adjacent to the claimed areas and define unshaded regions depict the bounds of the claimed design, while all other evenly spaced broken lines are directed to environment. In addition, the dot-dash arrows in FIG. 3 are for reference purposes only and form no part of the claimed design.

1 Claim, 9 Drawing Sheets



(56)

References Cited

U.S. PATENT DOCUMENTS

10,399,356 B2 * 9/2019 Moriyama B41J 2/17509
 D864,289 S * 10/2019 Higuchi D18/50
 2005/0162494 A1 * 7/2005 Inokuchi B41J 11/006
 347/104
 2006/0082622 A1 * 4/2006 Yonekawa B41J 2/17553
 347/108
 2018/0178567 A1 * 6/2018 Takabayashi B41J 29/13
 2018/0194142 A1 * 7/2018 Tanaka B41J 29/13

FOREIGN PATENT DOCUMENTS

EP 3695973 A1 * 8/2020 B41J 2/17566
 JP D1592158 * 11/2020
 JP D1620412 * 12/2021

OTHER PUBLICATIONS

Amazon. Link: https://www.amazon.com/Epson-EcoTank-Wireless-Supertank-Printer/dp/B07PYDNF7L?ref_=ast_sto_dp. Jun. 9, 2019. Epson EcoTank ET-2720. (Year: 2019).*

Amazon. Link: https://www.amazon.in/Epson-EcoTank-L3252-Wi-Fi-Printer/dp/B09KGV4PYS/ref=psdc_1375447031_t3_B09L5YPF4Y. Nov. 18, 2021. Epson EcoTank L3252 Wi-Fi All-in-One Ink Tank Printer (Black). (Year: 2021).*

Amazon. Link: https://www.amazon.com/Canon-Wireless-Supertank-Megatank-4468C002/dp/B08P3ZKLPH/ref=psdc_172646_t3_B07PYDNF7L?th=1. Dec. 2, 2020. Canon® PIXMA™ G3260 Wireless Color All-in-One Printer (Year: 2020).*

* cited by examiner

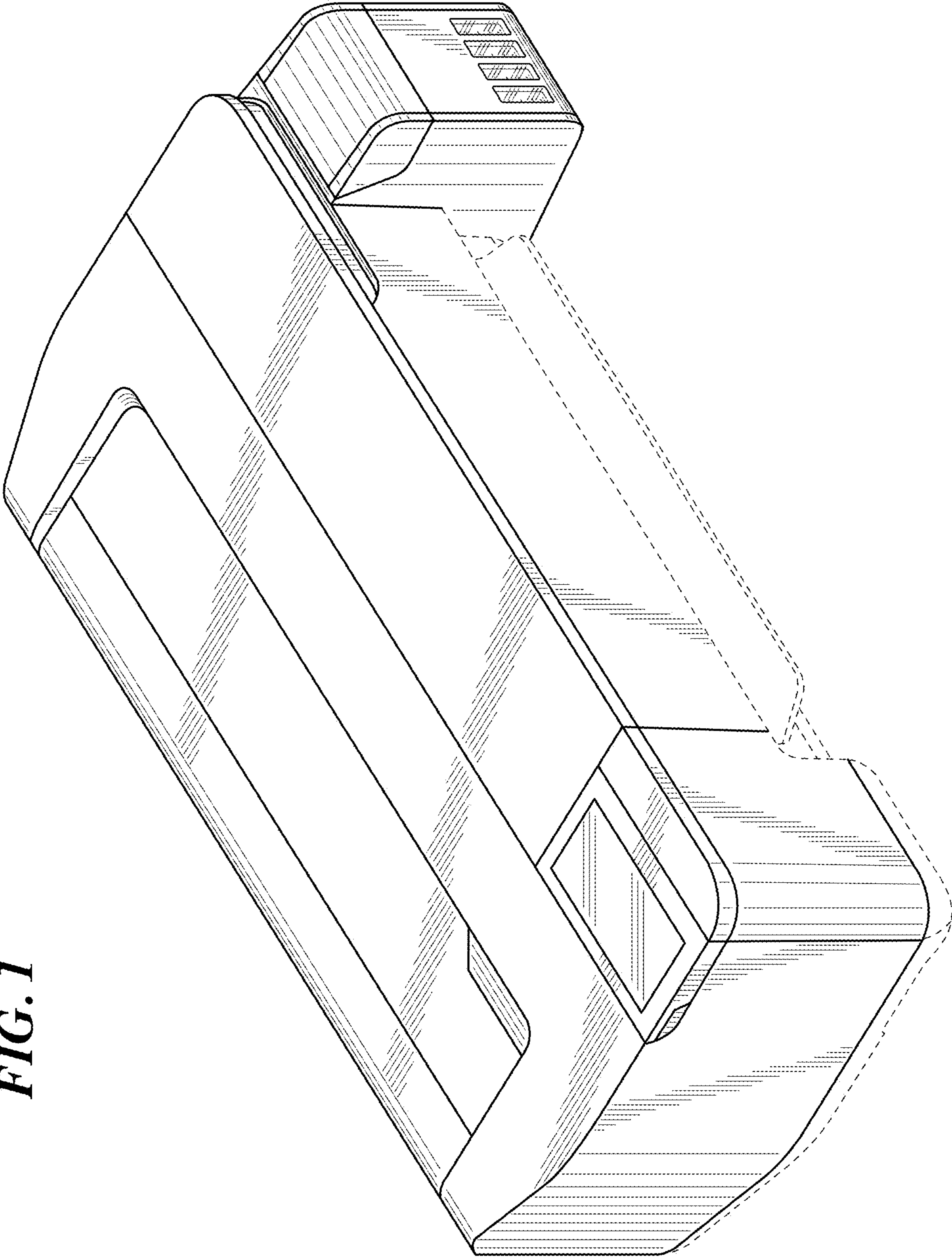


FIG. 1

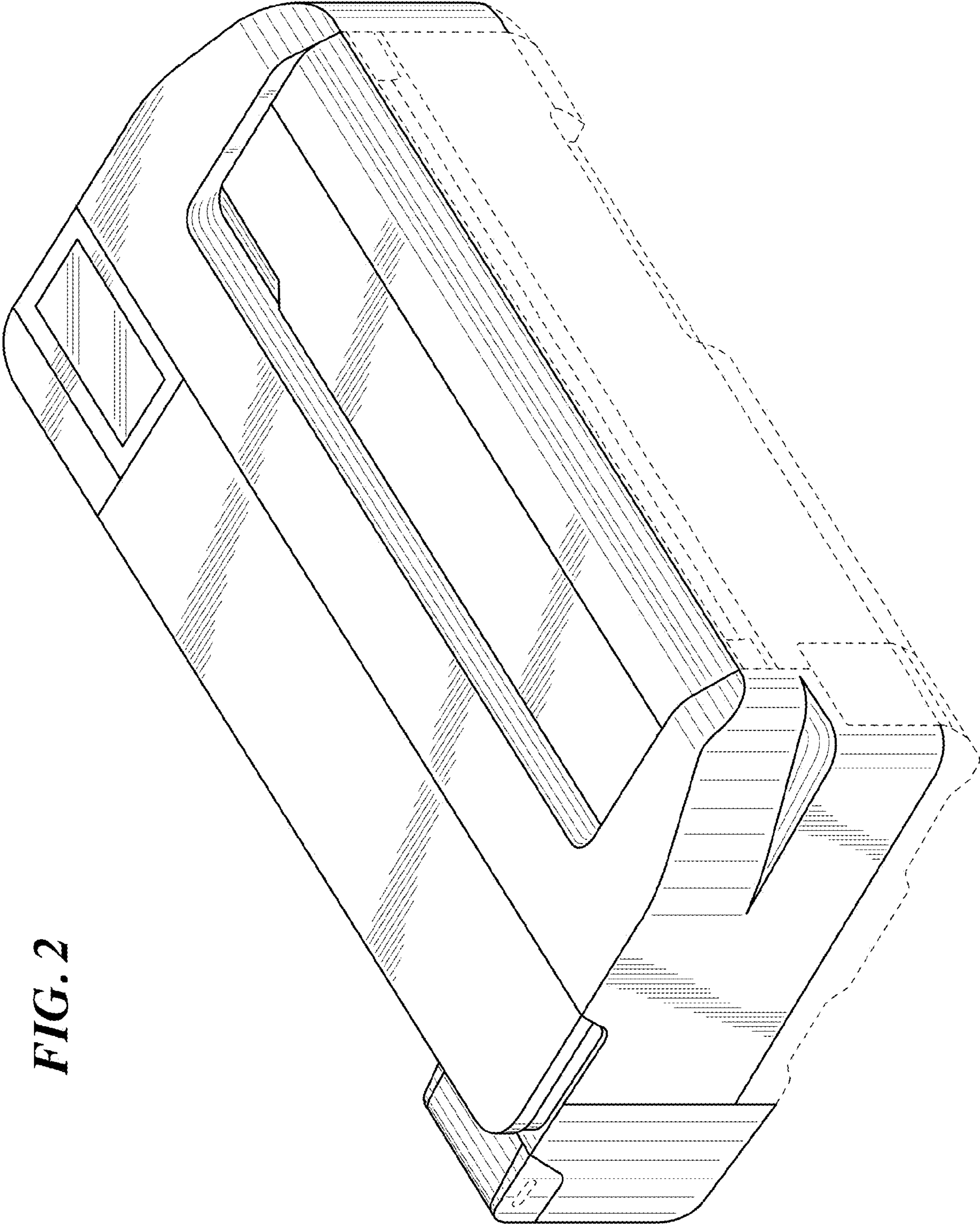


FIG. 2

FIG. 3

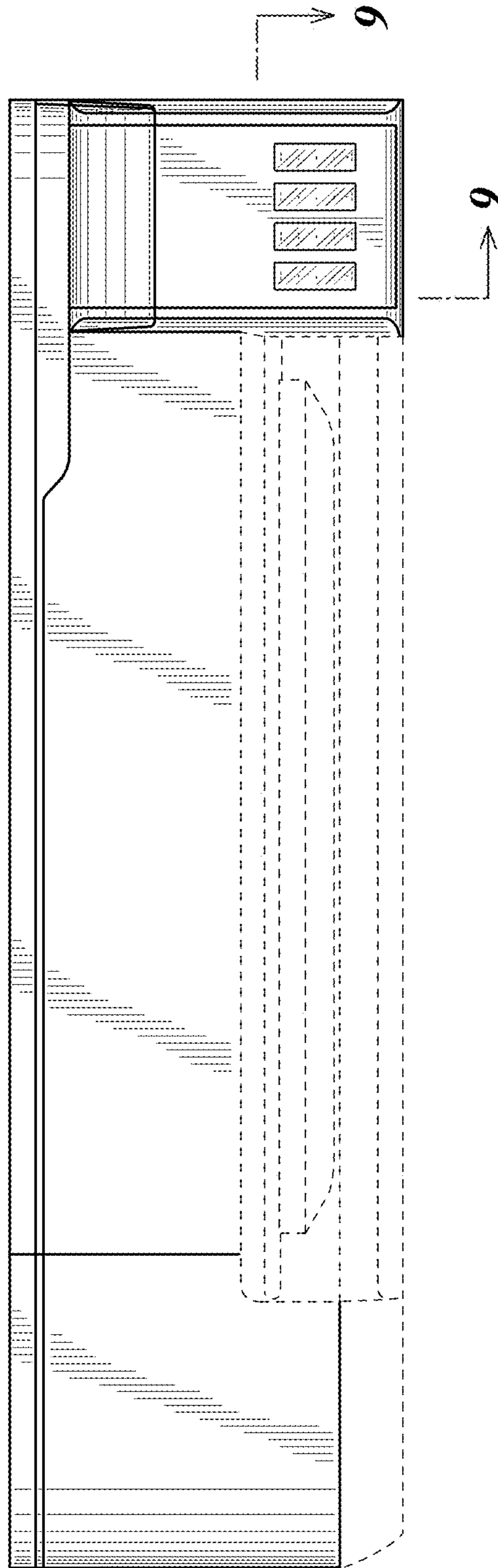


FIG. 4

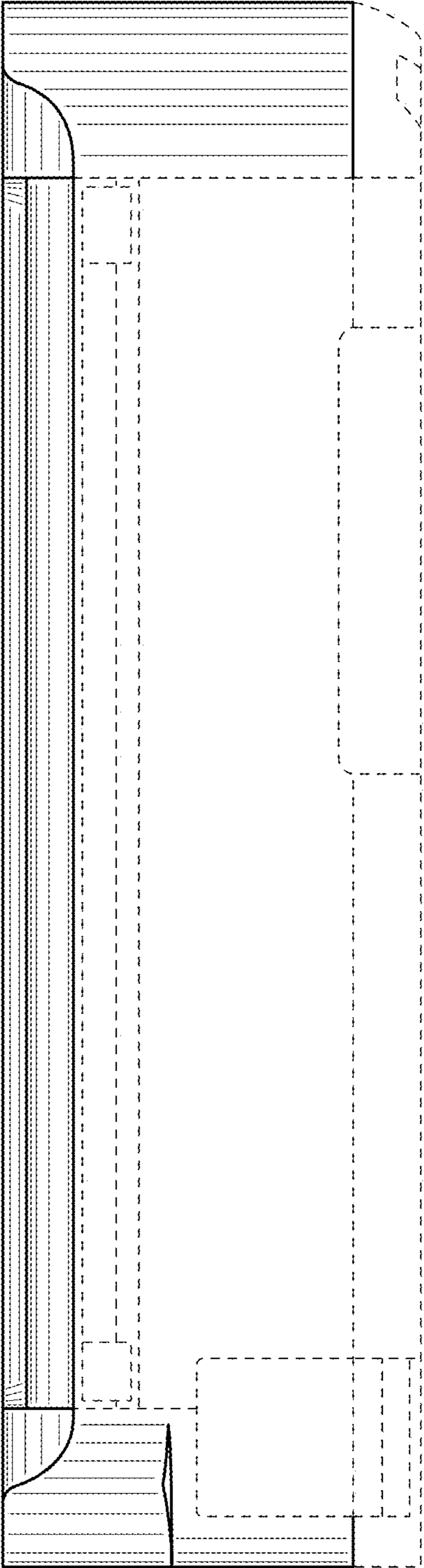


FIG. 5

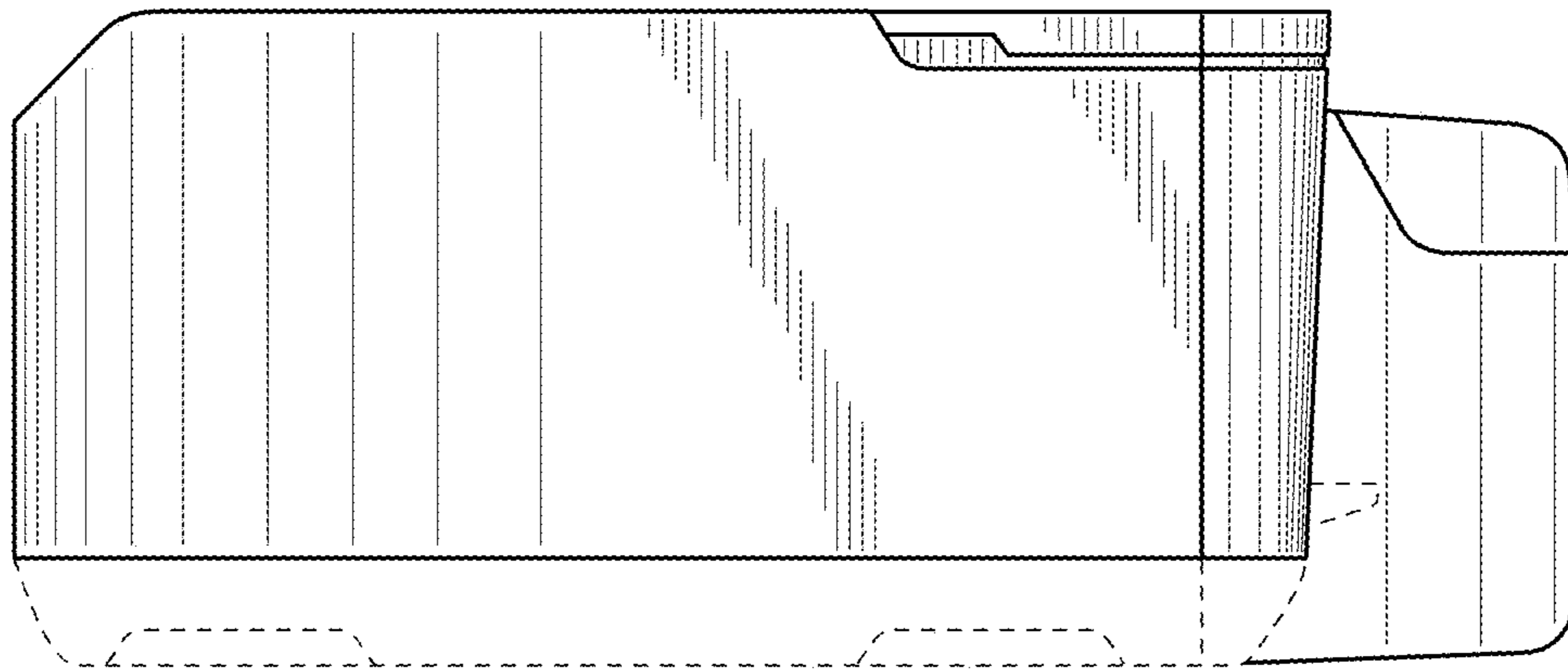


FIG. 6

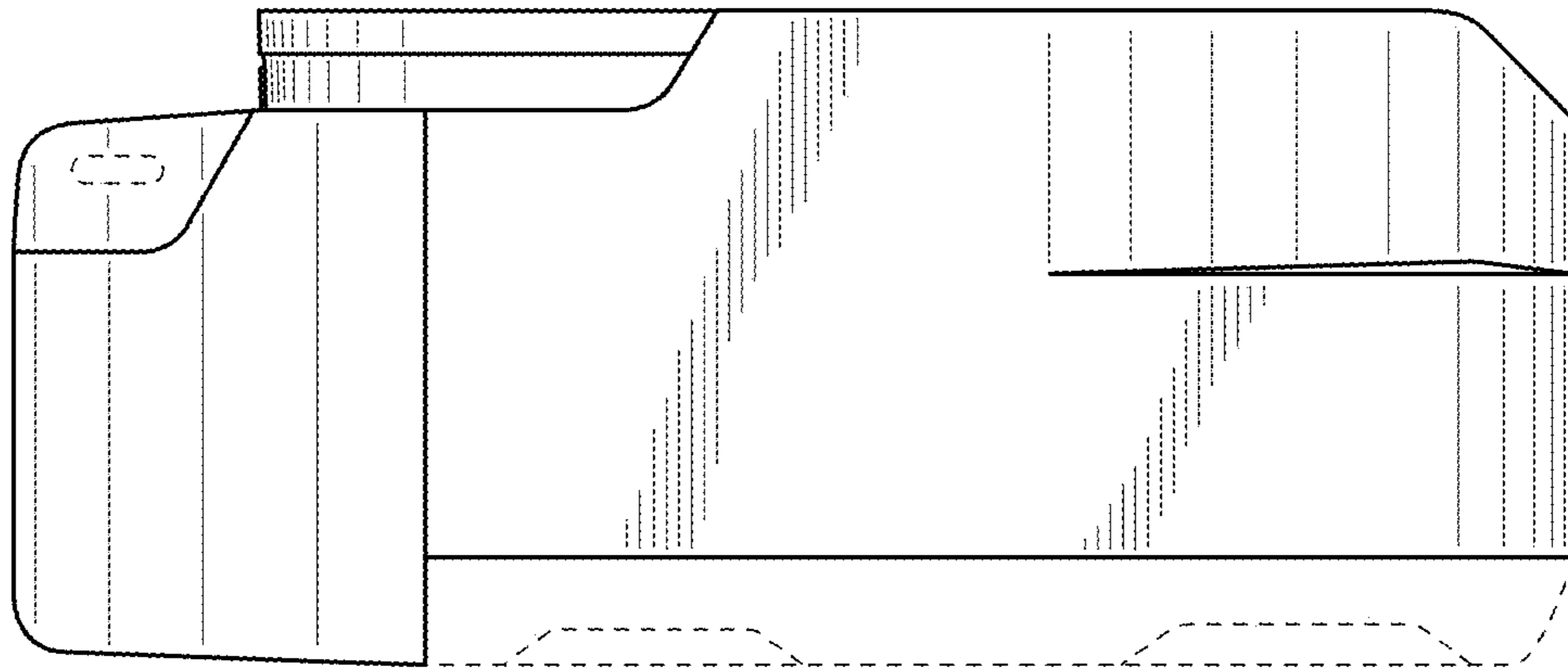


FIG. 7

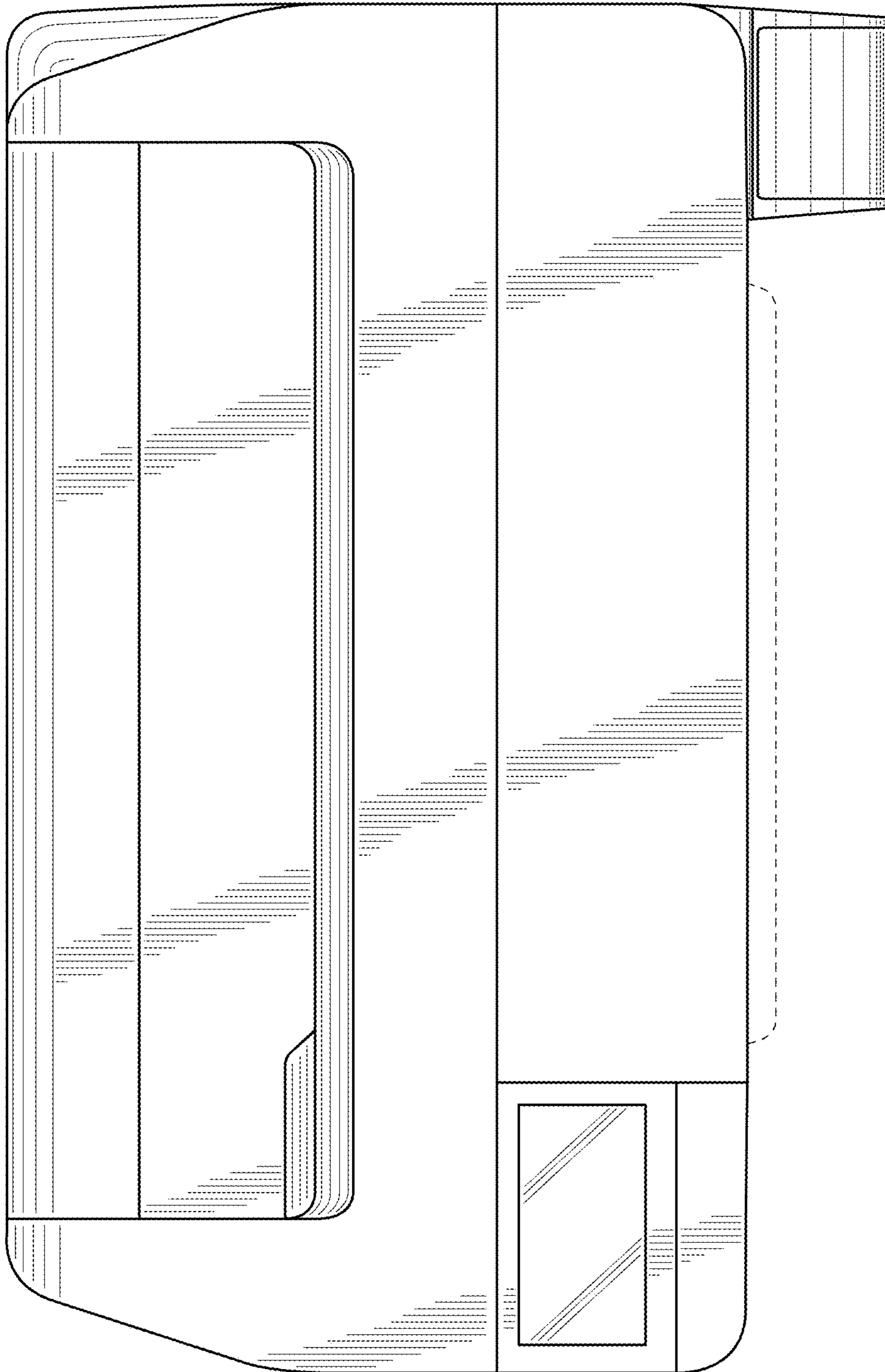


FIG. 8

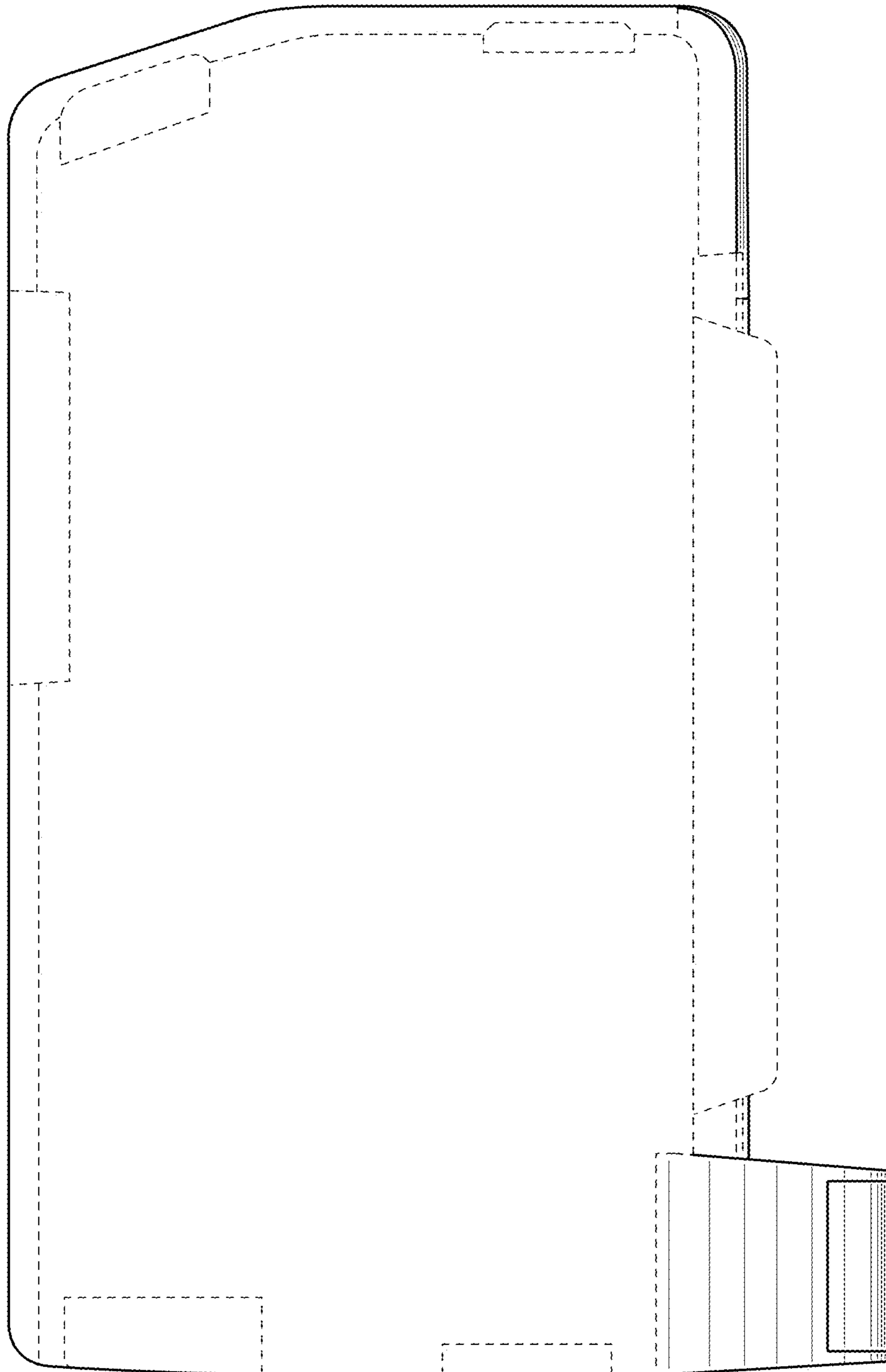


FIG. 9

